



US00D741853S

(12) **United States Design Patent**
Barron et al.

(10) **Patent No.:** **US D741,853 S**

(45) **Date of Patent:** **** Oct. 27, 2015**

(54) **TERMINAL**

(71) Applicant: **NCR Corporation**, Duluth, GA (US)

(72) Inventors: **Peter B. Barron**, Tucker, GA (US);
Kwan Lee, Johns Creek, GA (US)

(73) Assignee: **NCR Corporation**, Duluth, GA (US)

(**) Term: **14 Years**

(21) Appl. No.: **29/476,663**

(22) Filed: **Dec. 16, 2013**

(51) **LOC (10) Cl.** **14-02**

(52) **U.S. Cl.**
USPC **D14/336; D18/4.4**

(58) **Field of Classification Search**
USPC D14/300, 305, 307, 336, 337, 371,
D14/126-129; D18/4.3-4.6, 12.3, 99;
D24/184, 185
CPC G06Q 20/18; G06Q 20/10; G06Q 20/123;
G06Q 20/20; G07G 1/0027; G07G 1/12;
G07G 1/0018; G06C 7/10

See application file for complete search history.

(56) **References Cited**

U.S. PATENT DOCUMENTS

| | | | |
|--------------|--------|--------------------|---------|
| D317,912 S * | 7/1991 | Takai | D14/375 |
| D527,760 S * | 9/2006 | Ono | D18/4.5 |
| D542,834 S * | 5/2007 | Ando et al. | D18/4.6 |
| D620,519 S * | 7/2010 | Branck et al. | D18/4.4 |
| D687,484 S * | 8/2013 | Eun | D18/4.6 |

* cited by examiner

Primary Examiner — Freda S Nunn

(74) *Attorney, Agent, or Firm* — Paul W. Martin

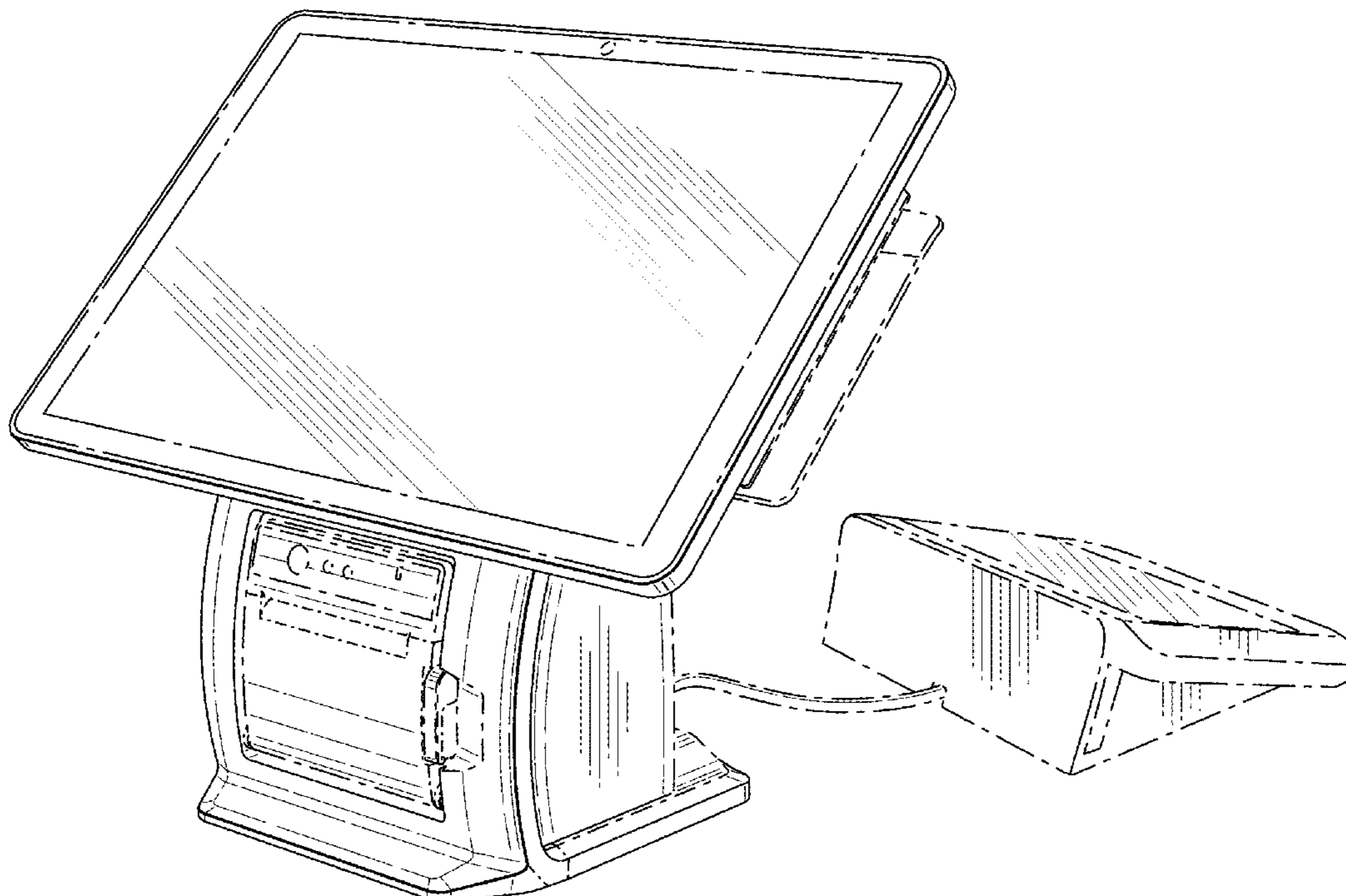
(57) **CLAIM**

The ornamental design for a terminal, as shown and described.

DESCRIPTION

FIG. 1 is a front view of a terminal showing our new design; FIG. 2 is a rear view thereof; FIG. 3 is a left side view thereof; FIG. 4 is a right side view thereof; FIG. 5 is a top view thereof; FIG. 6 is a first perspective view thereof; FIG. 7 is a second perspective view thereof; and, FIG. 8 is a third perspective view thereof. The dot-dash-dot broken lines shown in the drawings represent the bounds of the claimed design and all other broken lines are directed to environment only and from no part of the claimed design, and all undisclosed sides form no part of the claimed design.

1 Claim, 7 Drawing Sheets



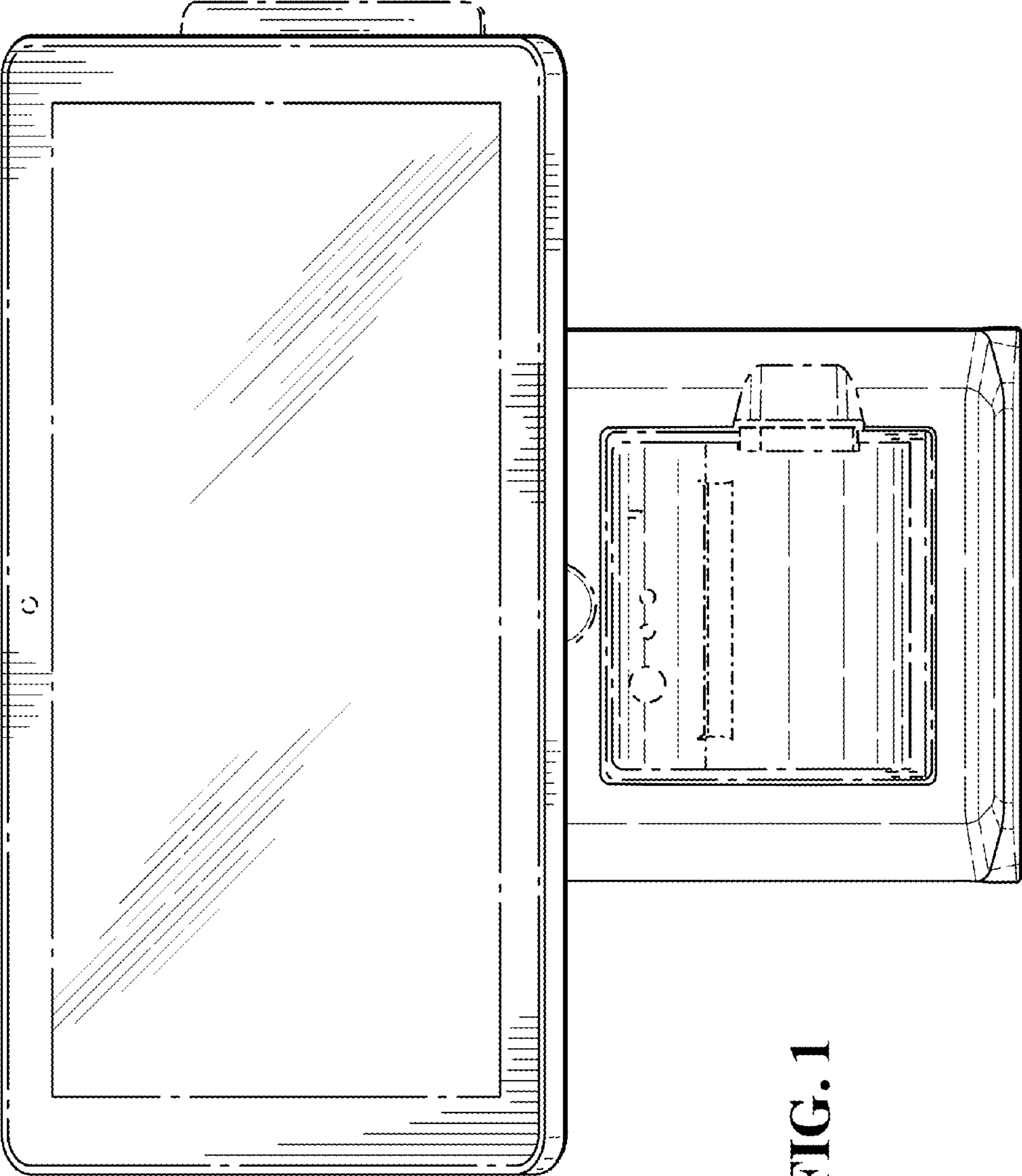


FIG. 1

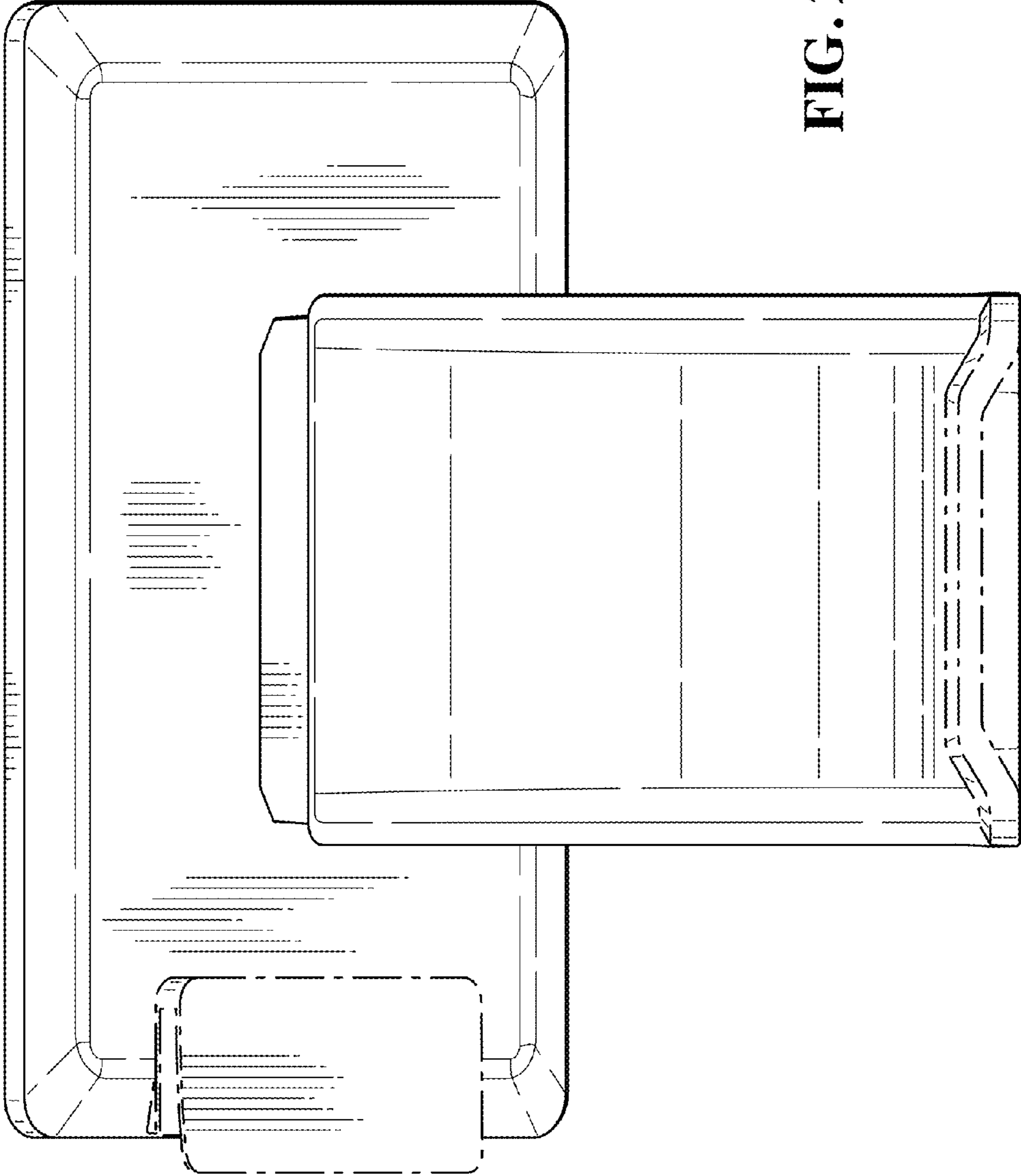


FIG. 2

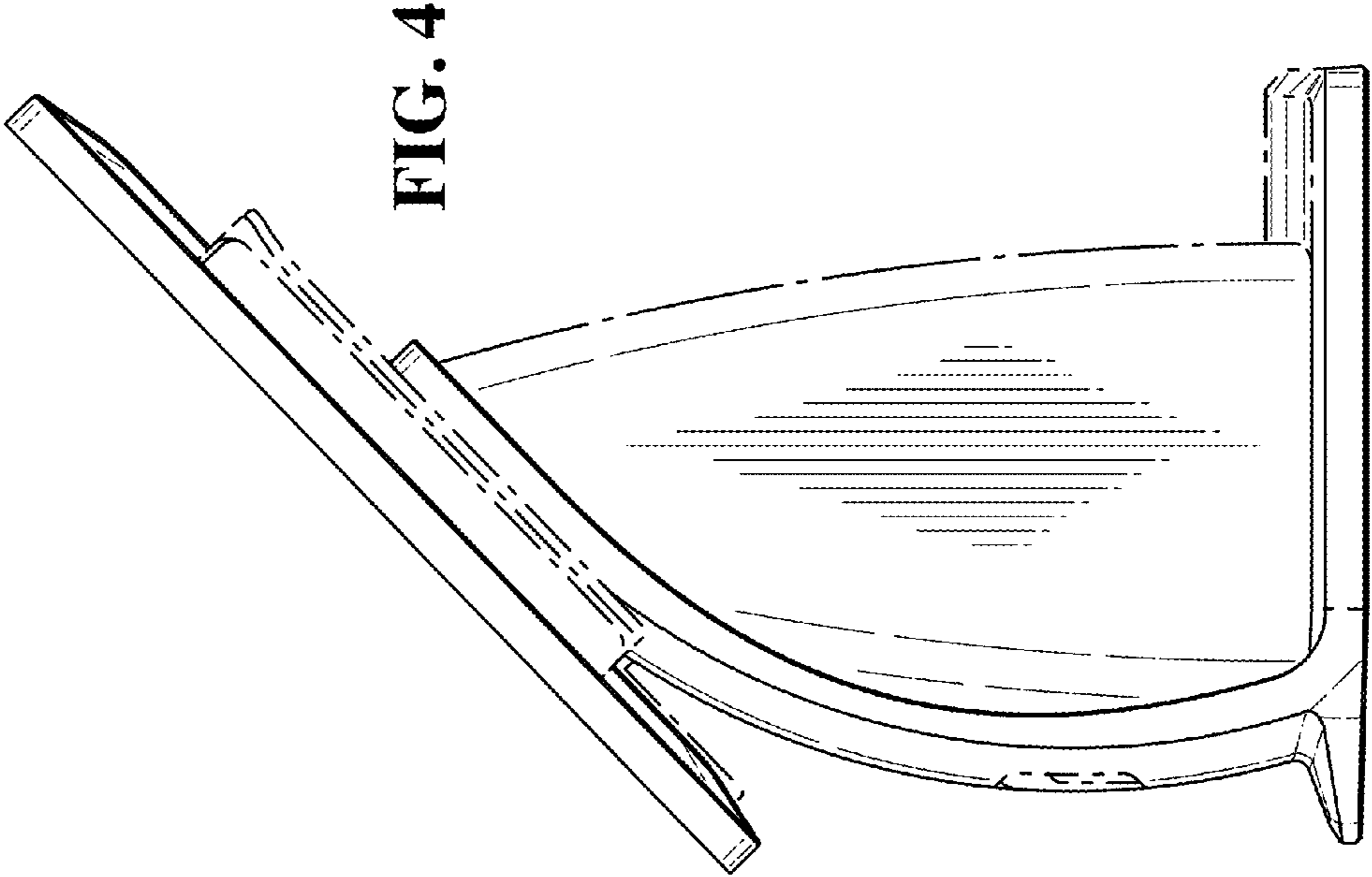


FIG. 4

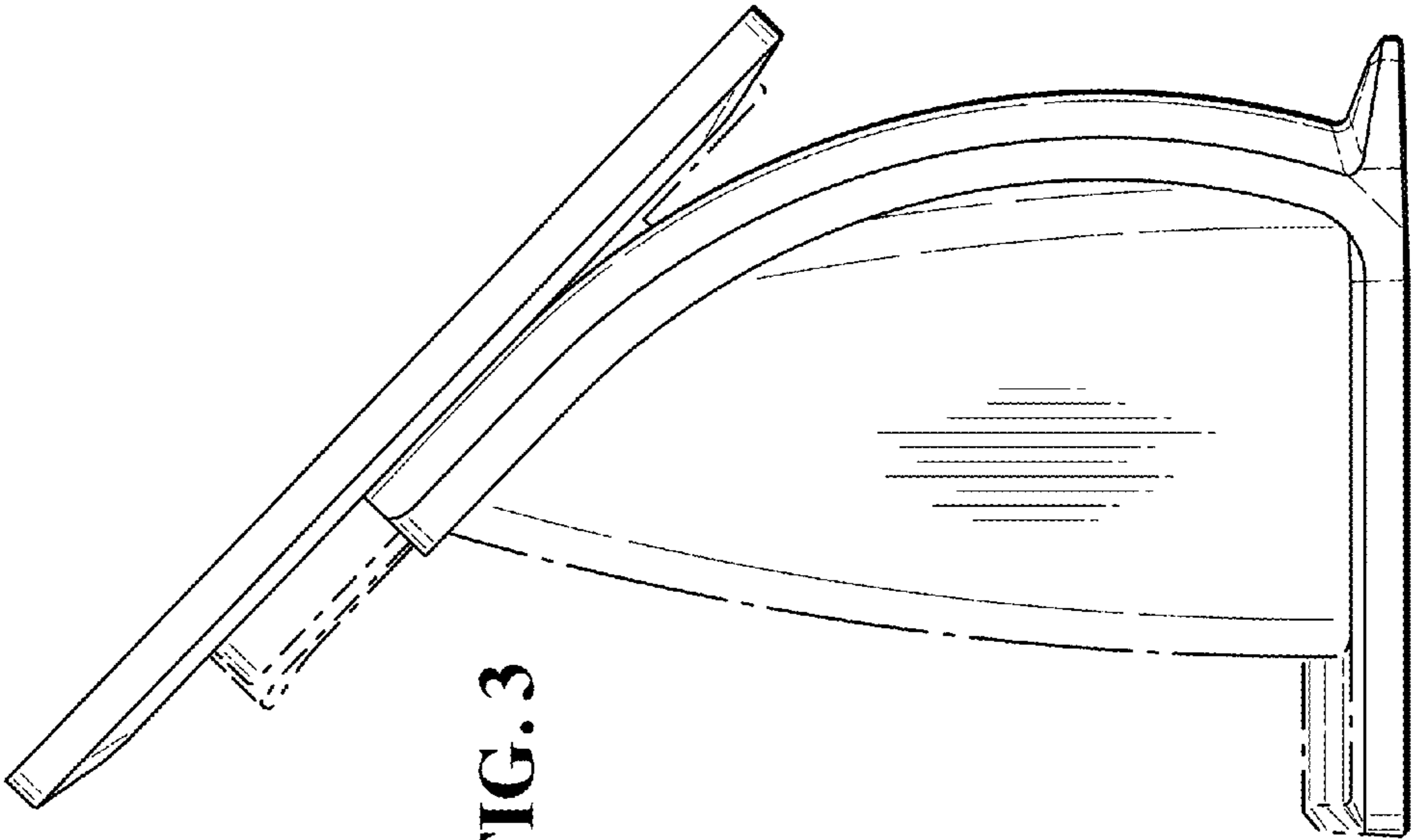


FIG. 3

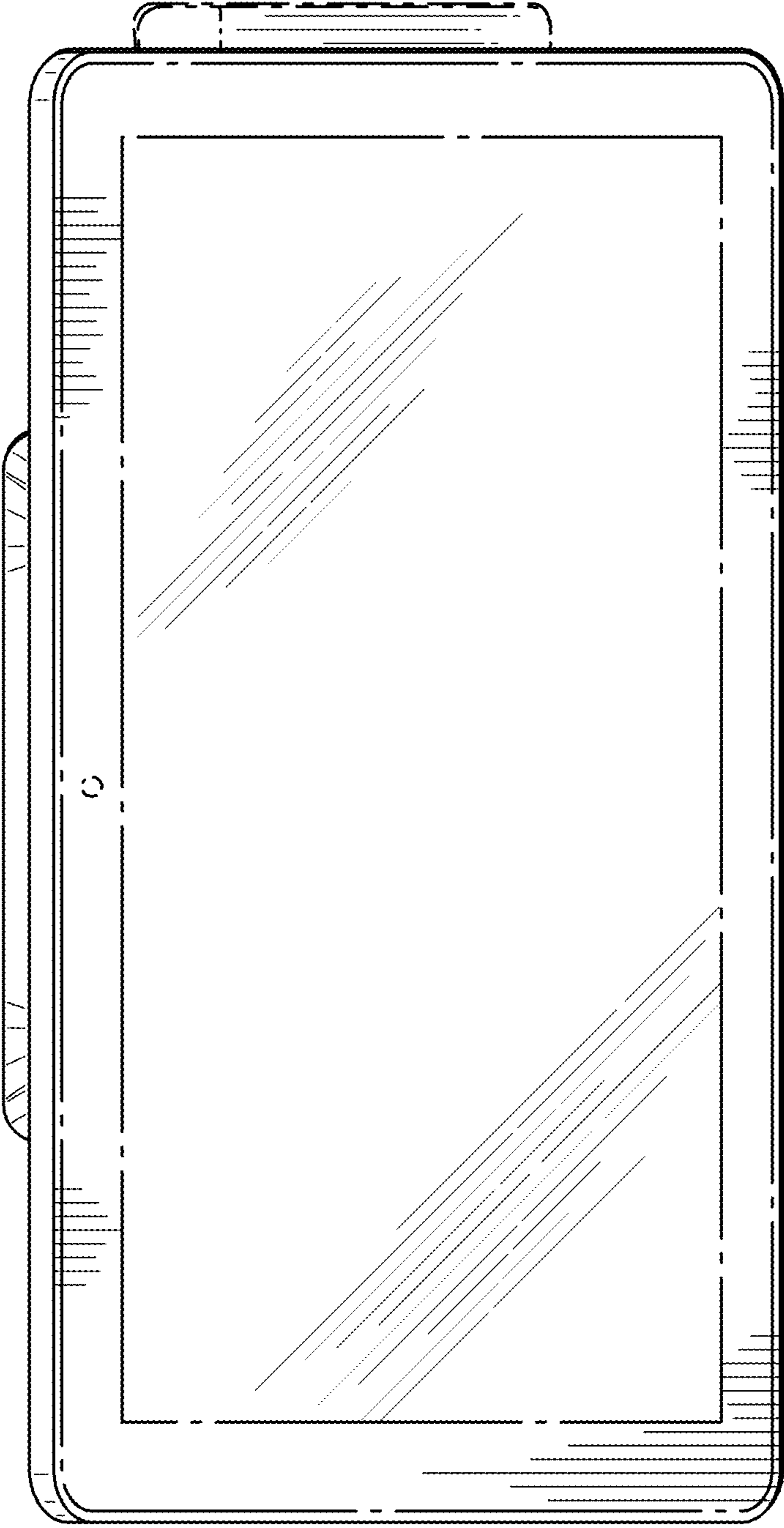


FIG. 5

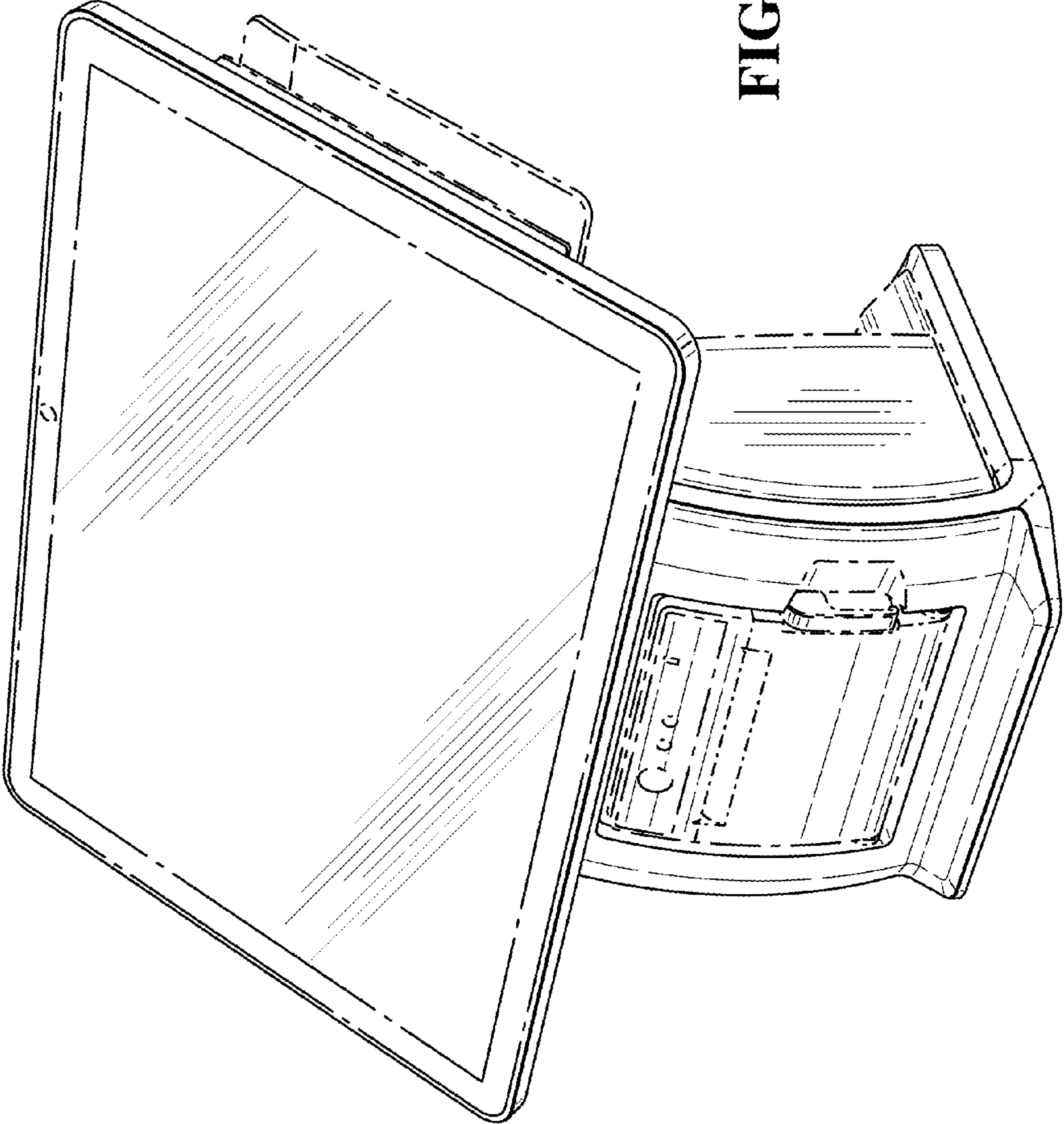
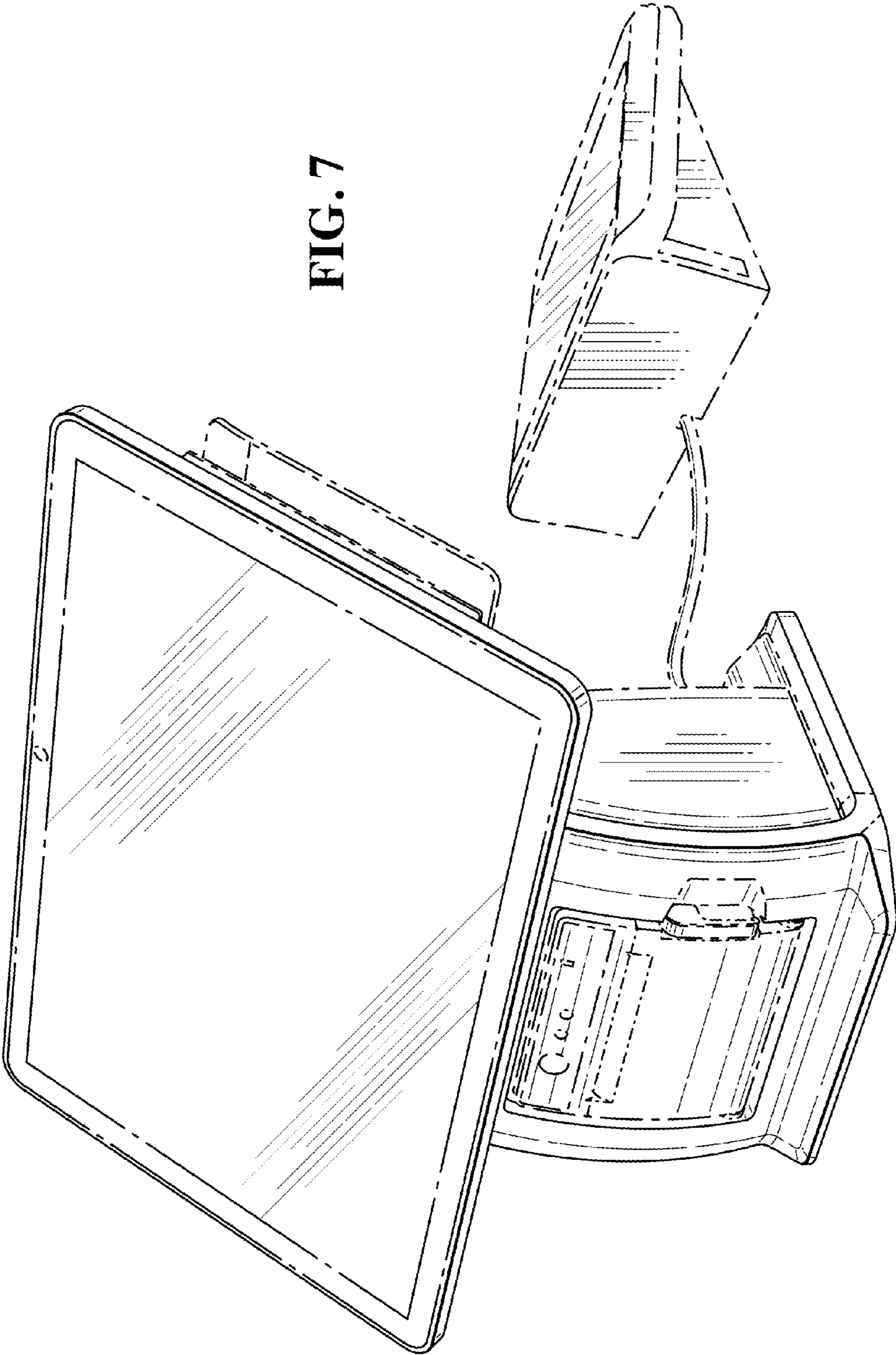


FIG. 6

FIG. 7



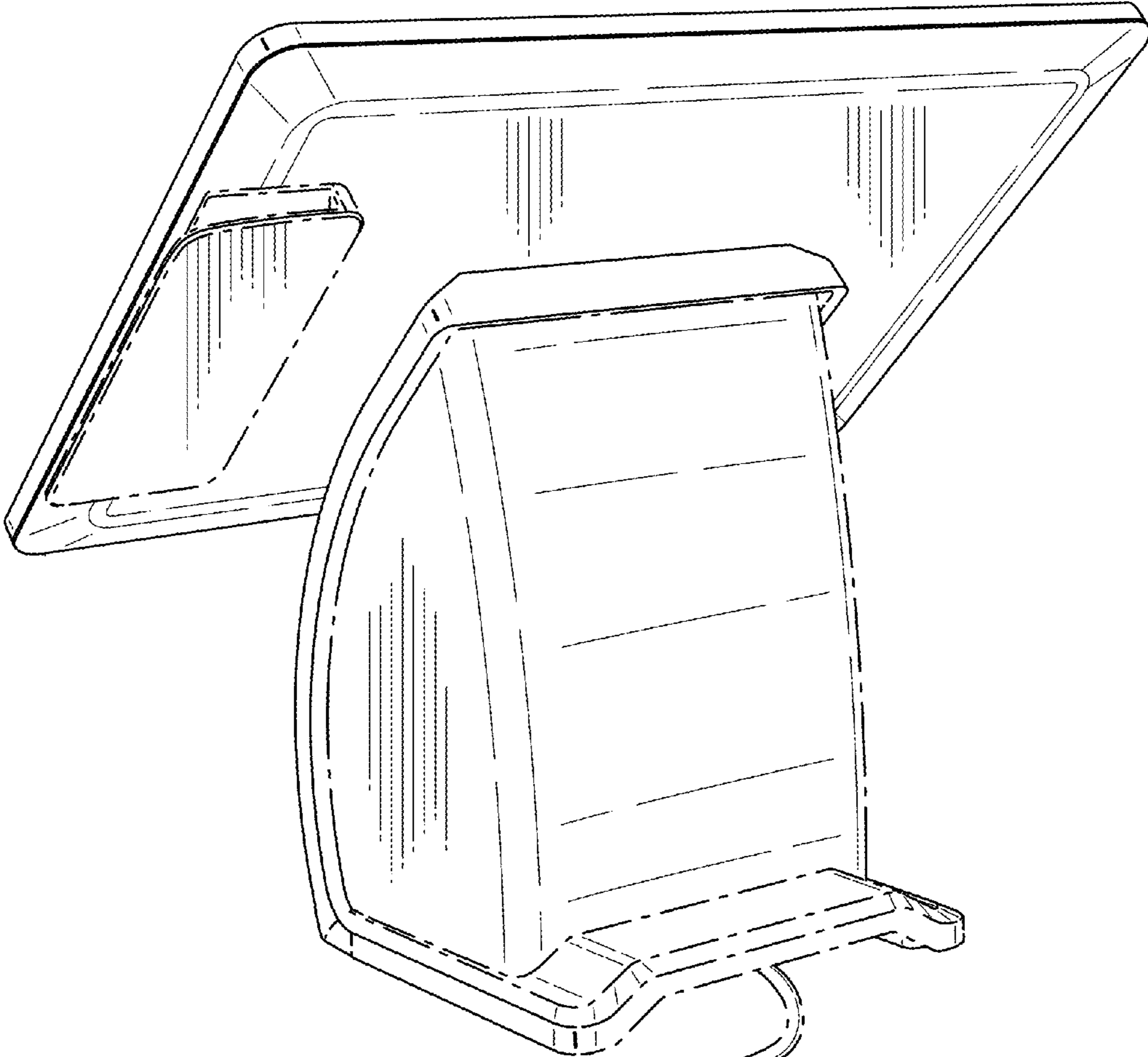


FIG. 8

