



US00D741851S

(12) **United States Design Patent**
Kim et al.

(10) **Patent No.:** **US D741,851 S**
(45) **Date of Patent:** **** Oct. 27, 2015**

(54) **PORTABLE COMPUTER**

(71) Applicant: **Samsung Electronics Co., Ltd.**,
Suwon-si (KR)
(72) Inventors: **Wan-Sup Kim**, Seoul (KR); **Sang-Won Yoon**, Seoul (KR); **Ik-Sang Kim**, Seoul (KR)

(73) Assignee: **Samsung Electronics Co., Ltd.**,
Suwon-si (KR)

(**) Term: **14 Years**

(21) Appl. No.: **29/488,115**

(22) Filed: **Apr. 16, 2014**

(30) **Foreign Application Priority Data**

Dec. 4, 2013 (KR) 30-2013-0061078

(51) **LOC (10) Cl.** **14-02**

(52) **U.S. Cl.**
USPC **D14/315**

(58) **Field of Classification Search**
USPC D14/315-327, 391-399, 455, 456;
D18/1, 2, 7, 11; 235/145 A, 145 R;
341/22, 23; 345/104, 156, 168, 169,
345/173; 361/679.08, 679.09, 679.11,
361/679.26, 679.27
CPC G06F 1/16; G06F 1/1616; H01R 35/02;
H03M 11/00; G09B 13/04; H03K 17/94;
H05K 5/00; H01H 3/125; H01H 13/705

See application file for complete search history.

(56) **References Cited**

U.S. PATENT DOCUMENTS

6,480,373 B1 * 11/2002 Landry et al. 361/679.06
D488,807 S * 4/2004 Ogasawara D14/318
D591,283 S * 4/2009 Luminosu et al. D14/318
D636,388 S * 4/2011 Kawase D14/315
D651,206 S * 12/2011 Kim et al. D14/315

* cited by examiner

Primary Examiner — Freda S Nunn

(74) *Attorney, Agent, or Firm* — NSIP Law

(57) **CLAIM**

We claim the ornamental design for a portable computer, as shown and described.

DESCRIPTION

FIG. 1 is a front perspective view of a portable computer showing our new design;
FIG. 2 is a front view thereof;
FIG. 3 is a rear view thereof;
FIG. 4 is a left-side view thereof;
FIG. 5 is a right-side view thereof;
FIG. 6 is a top view thereof;
FIG. 7 is a bottom view thereof;
FIG. 8 is another right-side view, in which the portable computer is provided in an alternate position; and,
FIG. 9 is an enlarged view of the encircled portion A as shown in FIG. 4.

The broken lines in the figures show portions of the portable computer which form no part of the claimed design.
The dot-dot-dash broken lines encircling portions of the claimed design that are illustrated in enlargements form no part of the claimed design.

1 Claim, 6 Drawing Sheets

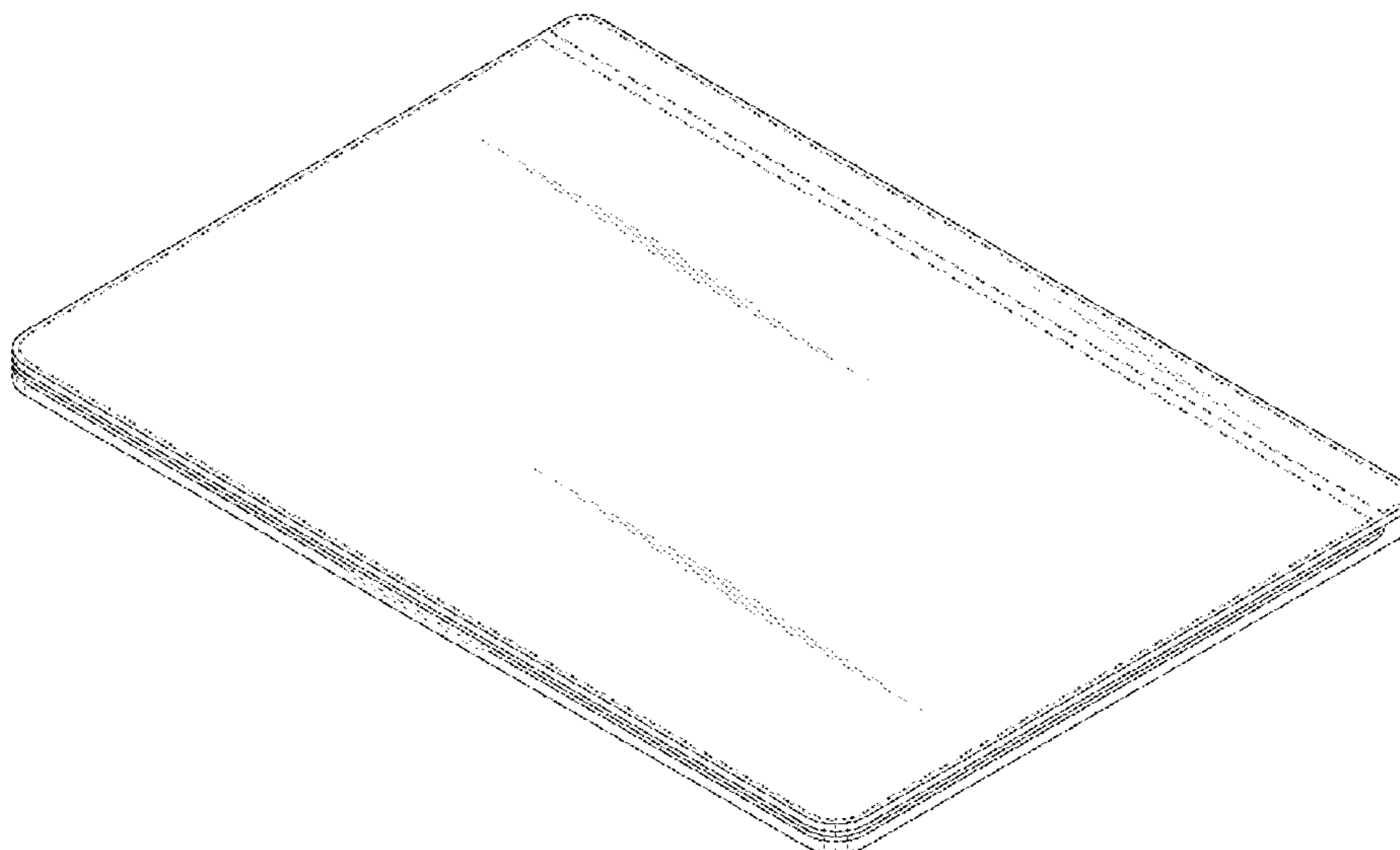


FIG.1

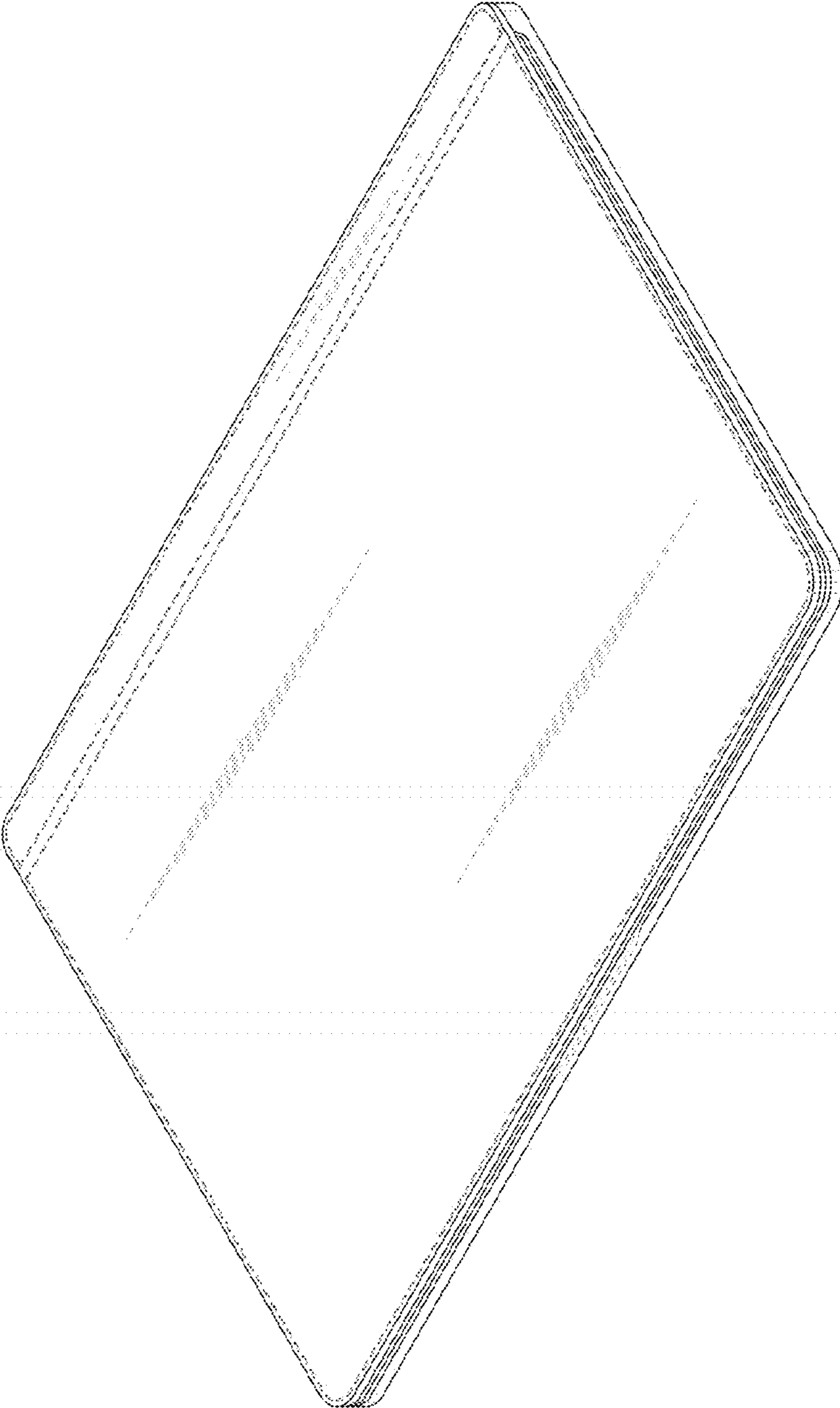


FIG.2

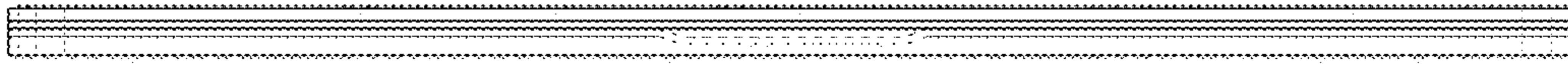


FIG.3

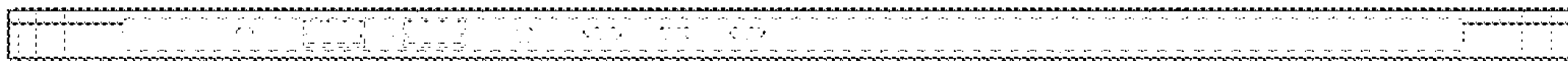


FIG.4

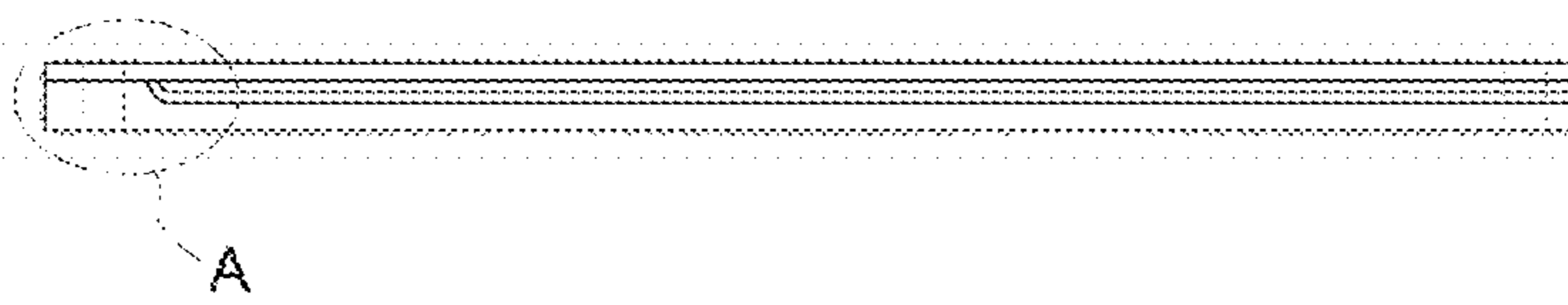


FIG.5

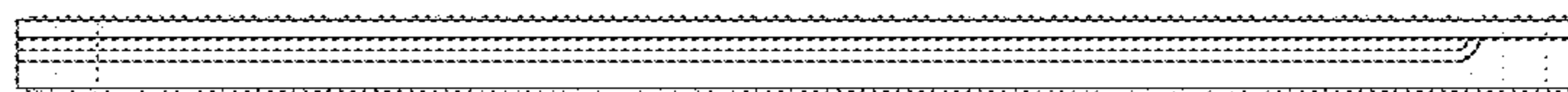


FIG.6



FIG. 7



FIG.8

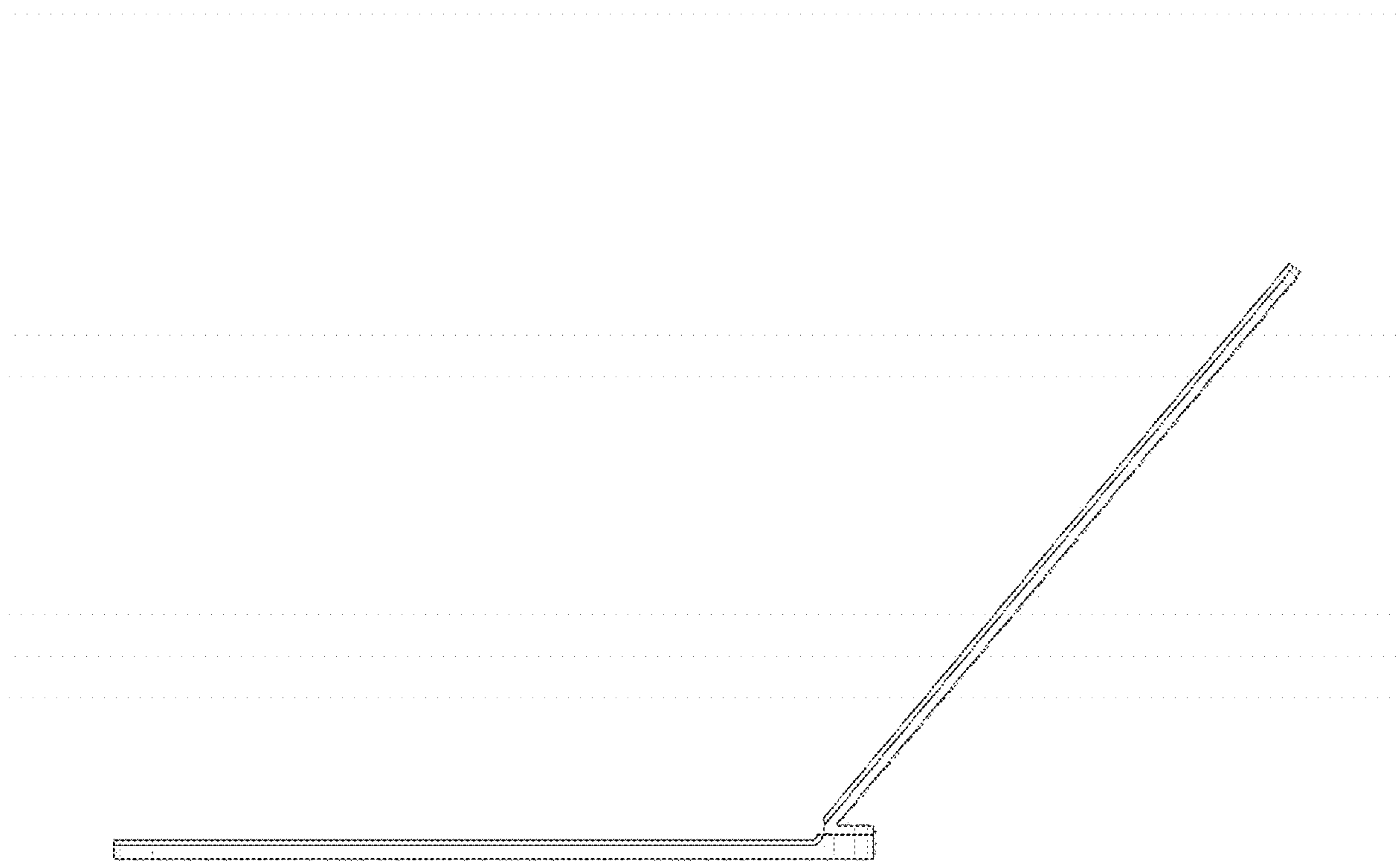


FIG.9

