



US00D741849S

(12) **United States Design Patent**  
**Lee et al.**

(10) **Patent No.:** **US D741,849 S**  
(45) **Date of Patent:** **\*\* Oct. 27, 2015**

(54) **COMPUTING DEVICE**

(56) **References Cited**

(71) Applicants: **Inventec (Pudong) Technology Corporation**, Shanghai (CN); **INVENTEC CORPORATION**, Taipei (TW)

U.S. PATENT DOCUMENTS

|          |   |   |         |               |       |         |
|----------|---|---|---------|---------------|-------|---------|
| D563,994 | S | * | 3/2008  | Liu et al.    | ..... | D14/496 |
| D577,719 | S | * | 9/2008  | Kobeli et al. | ..... | D14/300 |
| D579,013 | S | * | 10/2008 | Kobeli et al. | ..... | D14/349 |
| D602,019 | S | * | 10/2009 | Wang et al.   | ..... | D14/356 |
| D618,232 | S | * | 6/2010  | O'Neil et al. | ..... | D14/314 |
| D624,541 | S | * | 9/2010  | Kemery et al. | ..... | D14/358 |

(72) Inventors: **Kuan-Yao Lee**, Taipei (TW); **Lung-Hsun Song**, Taipei (TW); **Chun-Chi Lin**, Taipei (TW); **Chia-Cheng Shih**, Taipei (TW)

\* cited by examiner

(73) Assignees: **INVENTEC (PUDONG) TECHNOLOGY CORPORATION**, Shanghai (CN); **INVENTEC CORPORATION**, Taipei (TW)

*Primary Examiner* — Freda S Nunn

(74) *Attorney, Agent, or Firm* — Muncy, Geissler, Olds & Lowe P.C.

(\*\*) Term: **14 Years**

(57) **CLAIM**

The ornamental design for a computing device, as shown and described.

(21) Appl. No.: **29/500,691**

(22) Filed: **Aug. 27, 2014**

**DESCRIPTION**

(30) **Foreign Application Priority Data**

Jun. 3, 2014 (TW) ..... 103303325

(51) **LOC (10) CL.** ..... **14-02**

(52) **U.S. CL.**  
USPC ..... **D14/308**

(58) **Field of Classification Search**  
USPC ..... D14/240, 300, 301, 308, 313, 314,  
D14/348-356, 364-368, 441-446;  
D13/162, 184, 199; 312/223.1-223.3,  
312/351.11; 360/99.01-99.12;  
369/34.01-36.01; 361/679.31-679.33,  
361/679.37, 679.39, 679.46, 679.53, 679.4,  
361/679.41, 727

CPC ..... G06F 1/20; G06F 1/181; G06F 1/187;  
H05K 7/16; H05K 7/1424; H05H 7/20

See application file for complete search history.

FIG. 1 is a perspective view of a computing device showing our new design;

FIG. 2 is a front elevational view thereof;

FIG. 3 is a rear elevational view thereof;

FIG. 4 is a left side elevational view thereof;

FIG. 5 is a right side elevational view thereof;

FIG. 6 is a top side elevational view thereof;

FIG. 7 is a bottom side elevational view thereof;

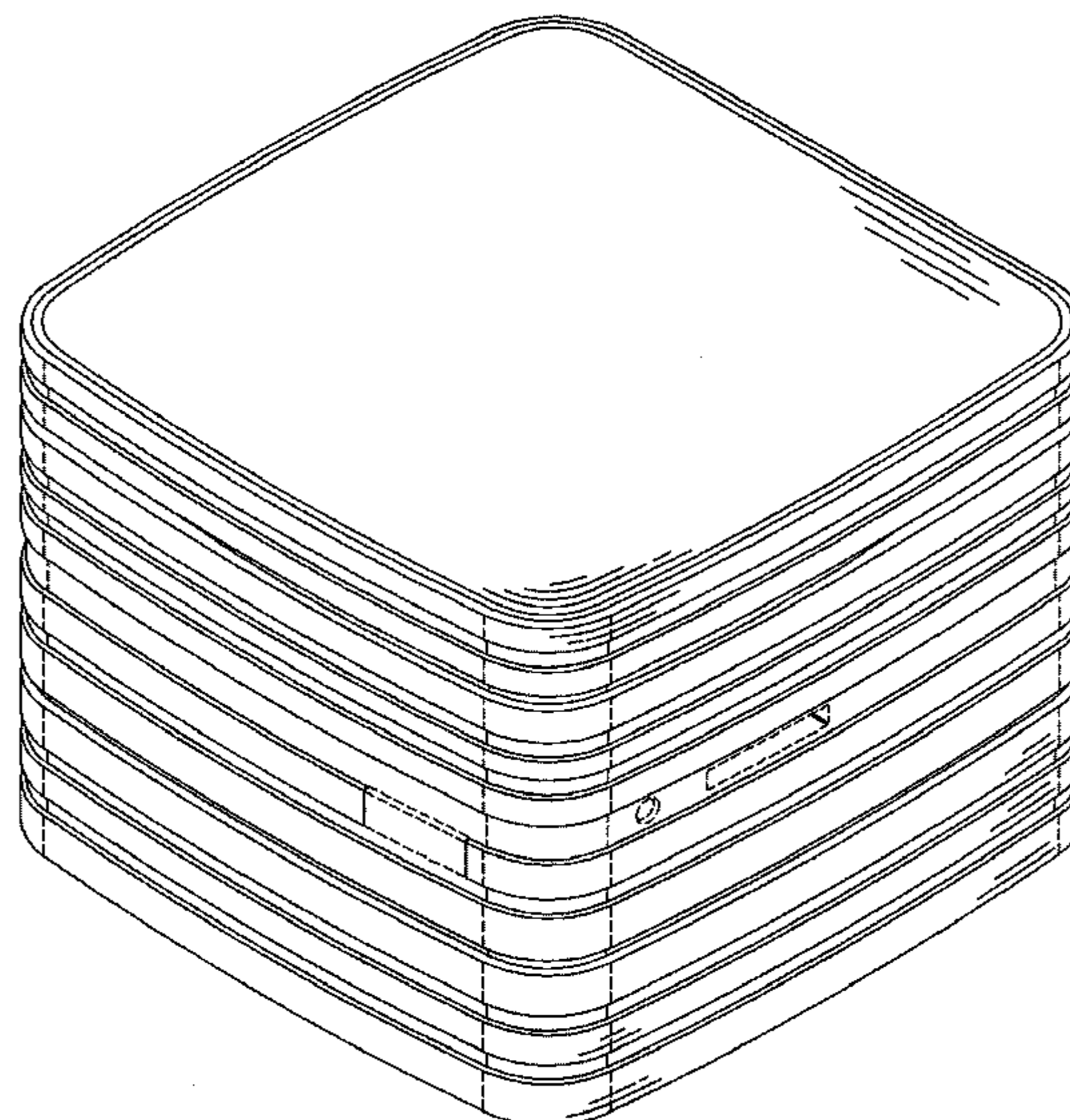
FIG. 8 is another perspective view thereof;

FIG. 9 is an exploded view thereof which illustrates the three segments of the computing device (top, middle and bottom) being separated; and,

FIG. 10 is a partial cross-sectional view of the middle segment thereof taken along line 10-10 in FIG. 9.

Broken lines shown in the figures illustrate portions of the computing device and form no part of the claimed design.

**1 Claim, 10 Drawing Sheets**



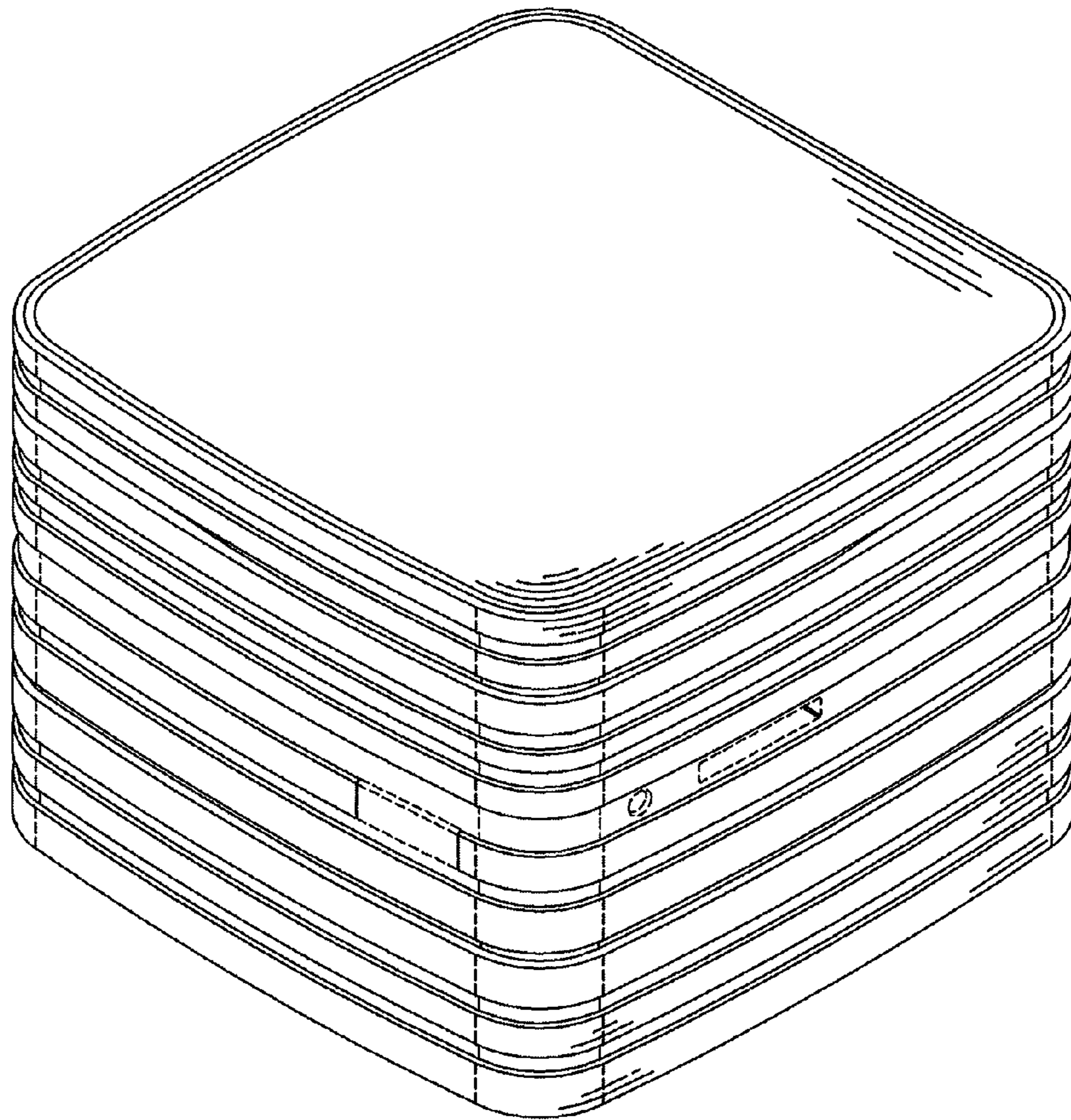


FIG.1

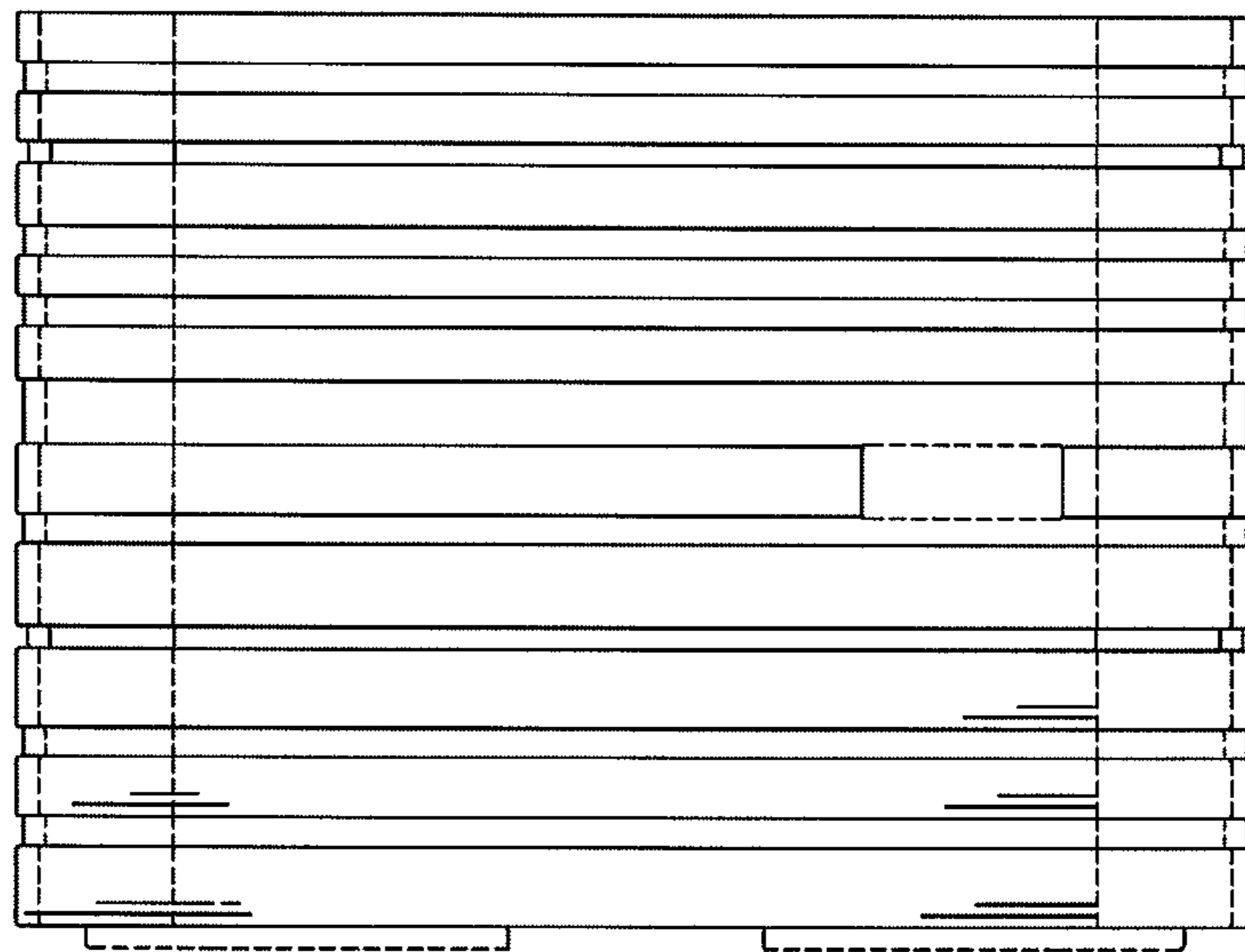


FIG.2

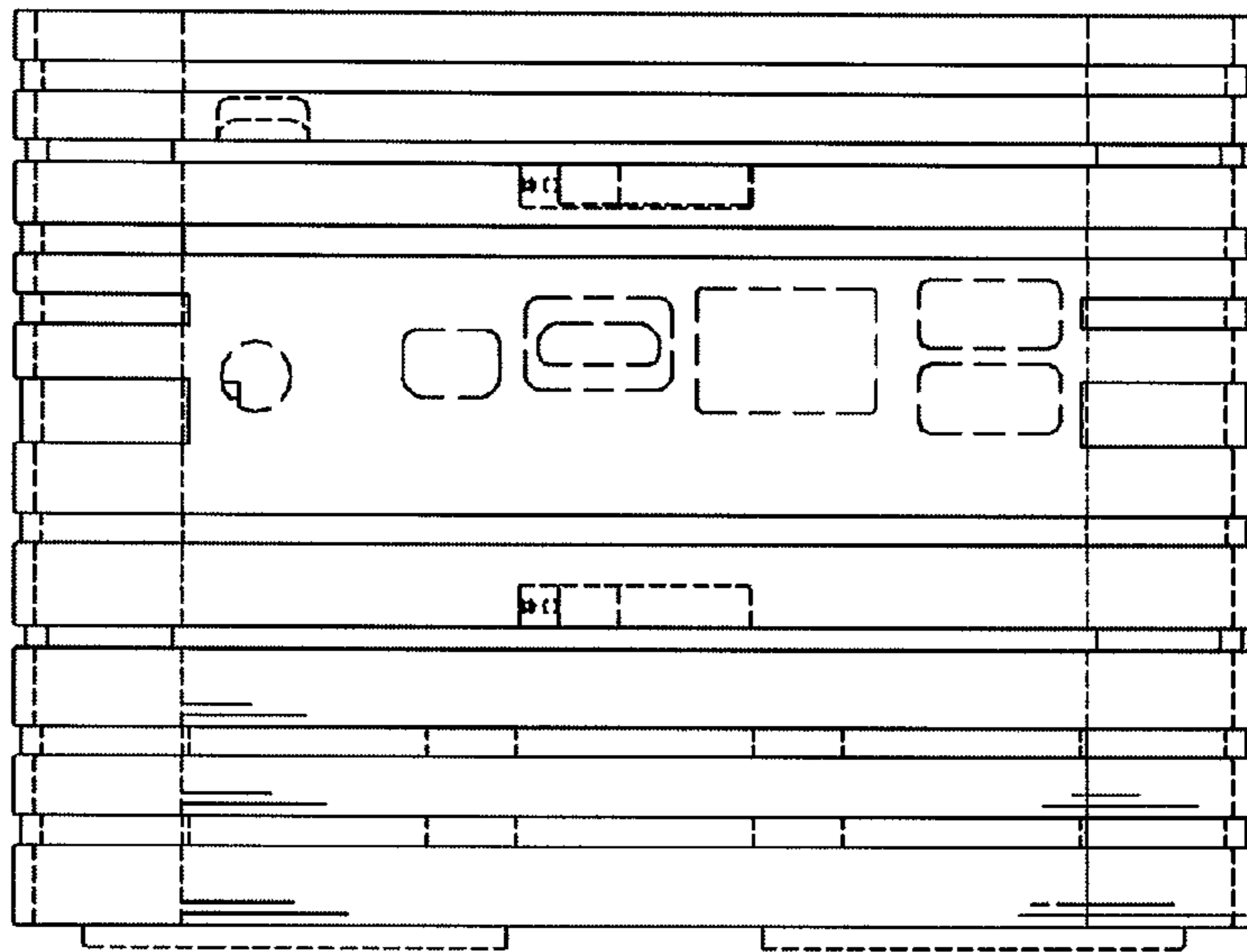


FIG.3

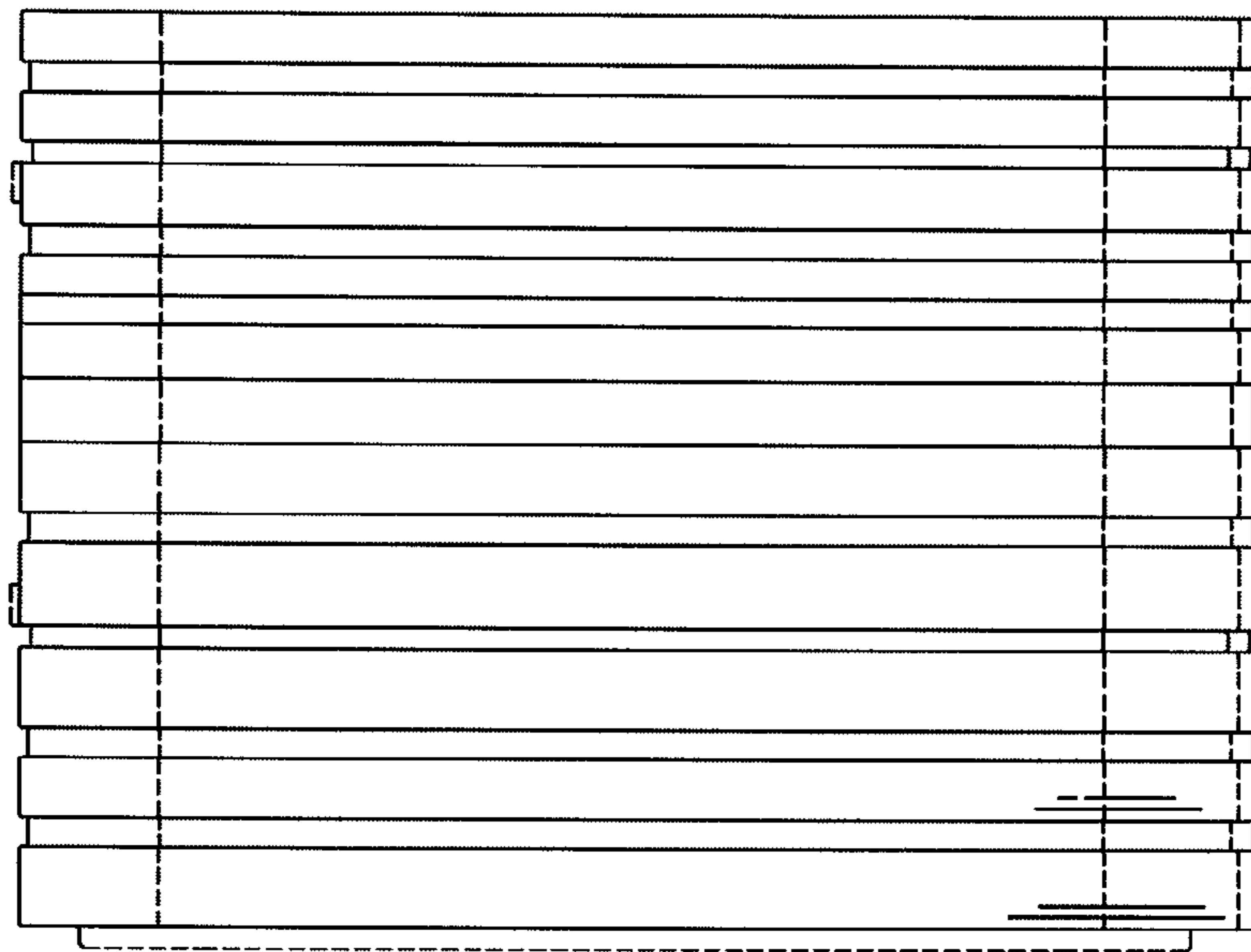


FIG.4

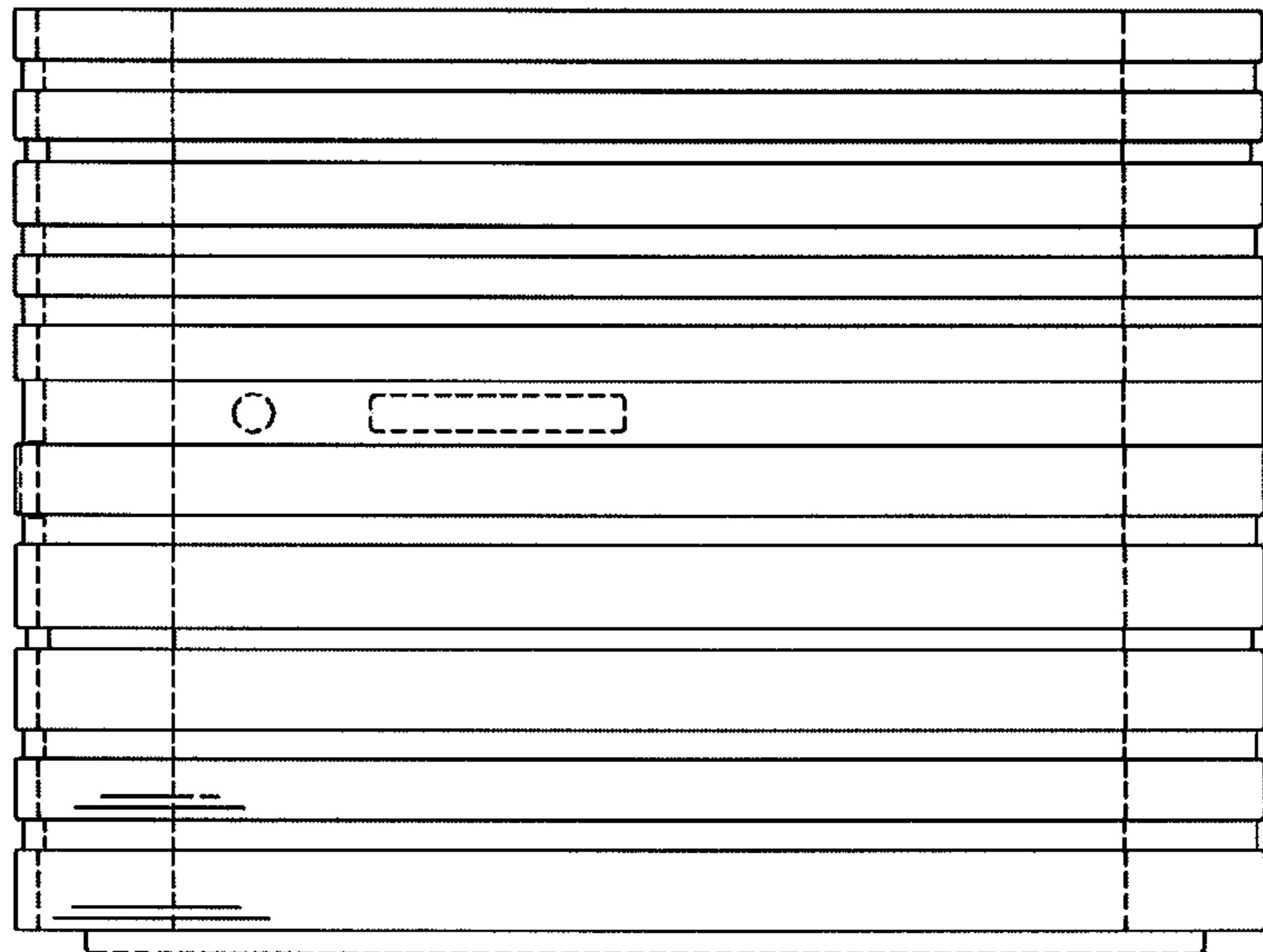


FIG.5

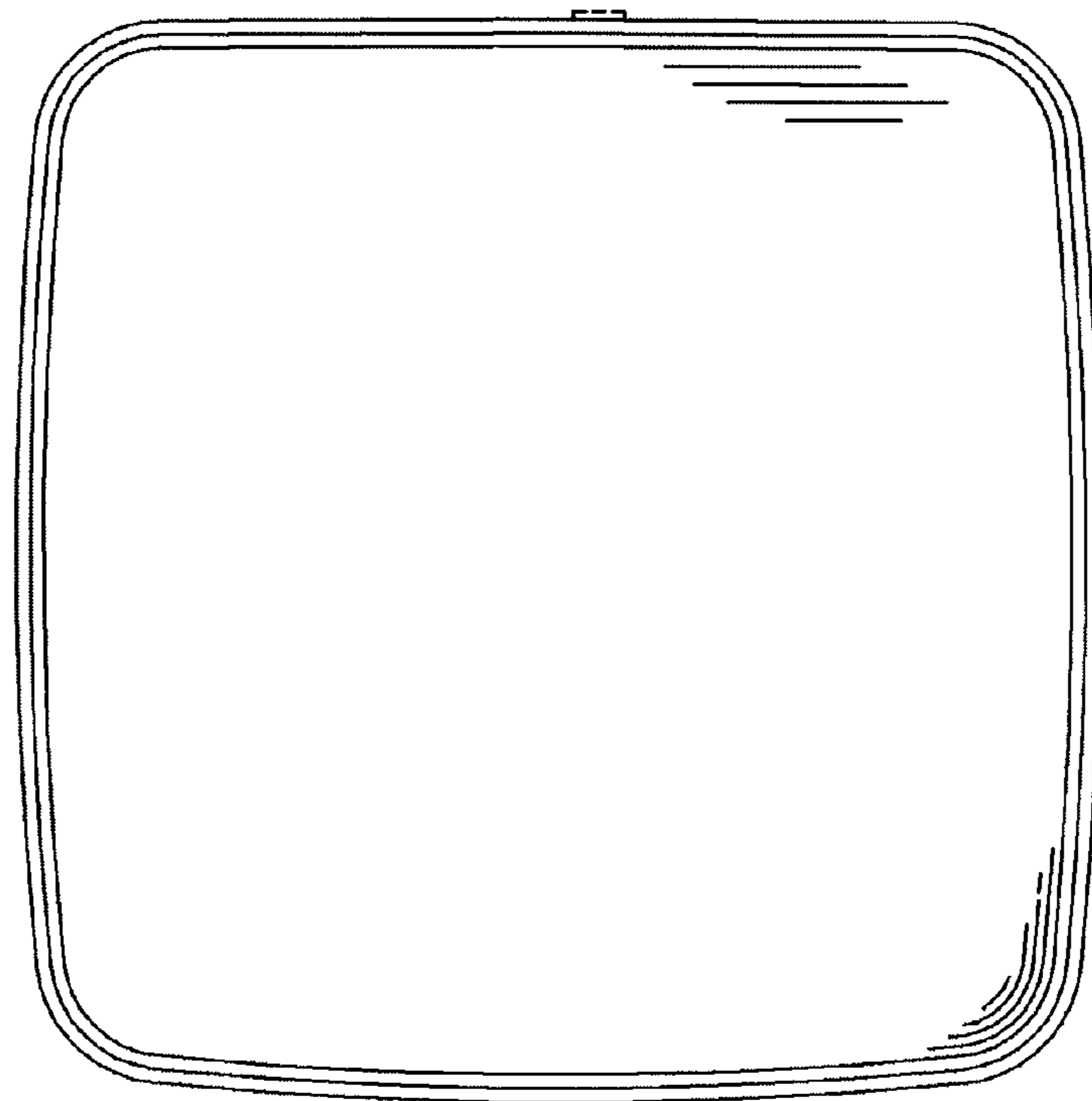


FIG.6

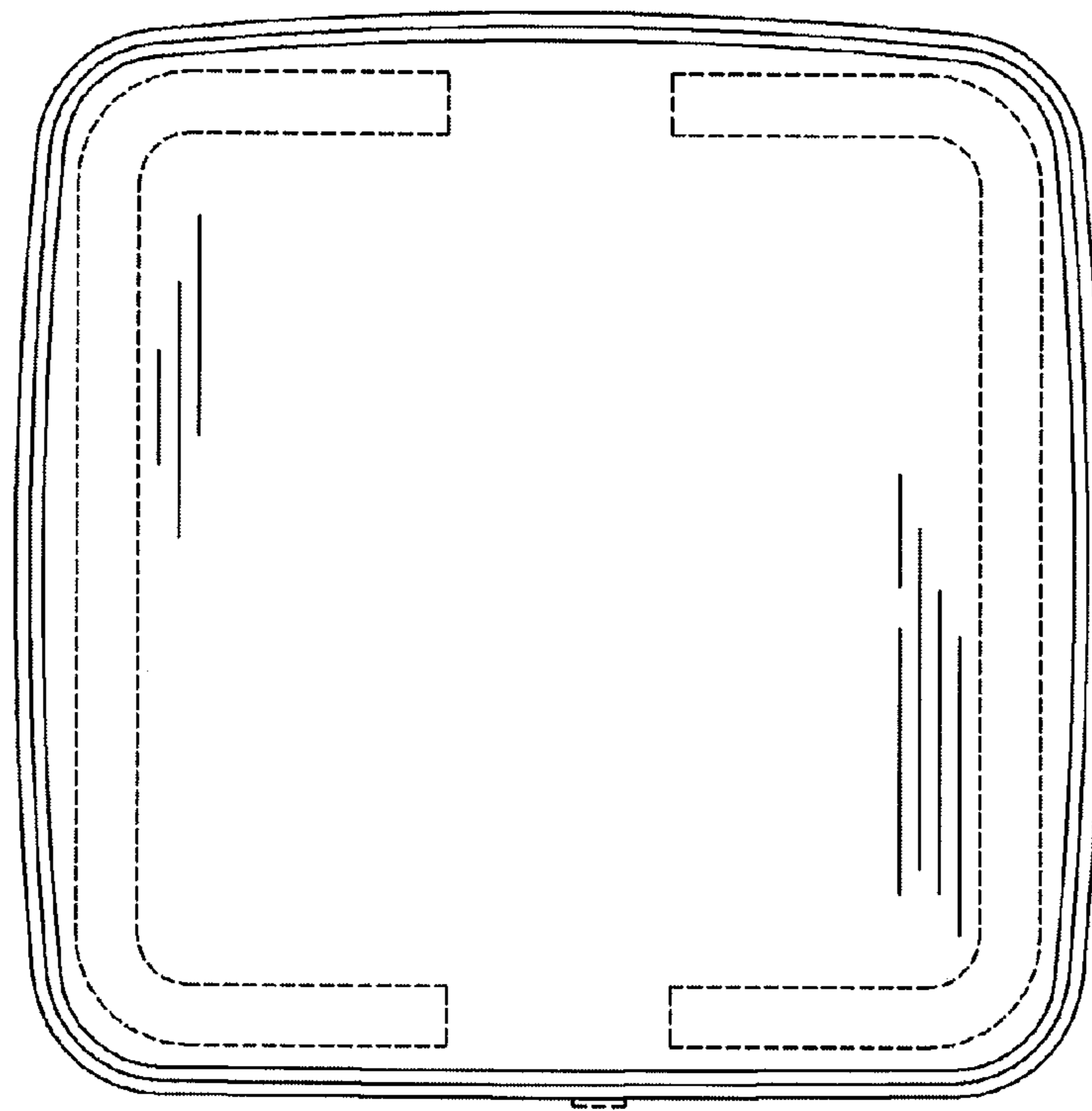


FIG. 7



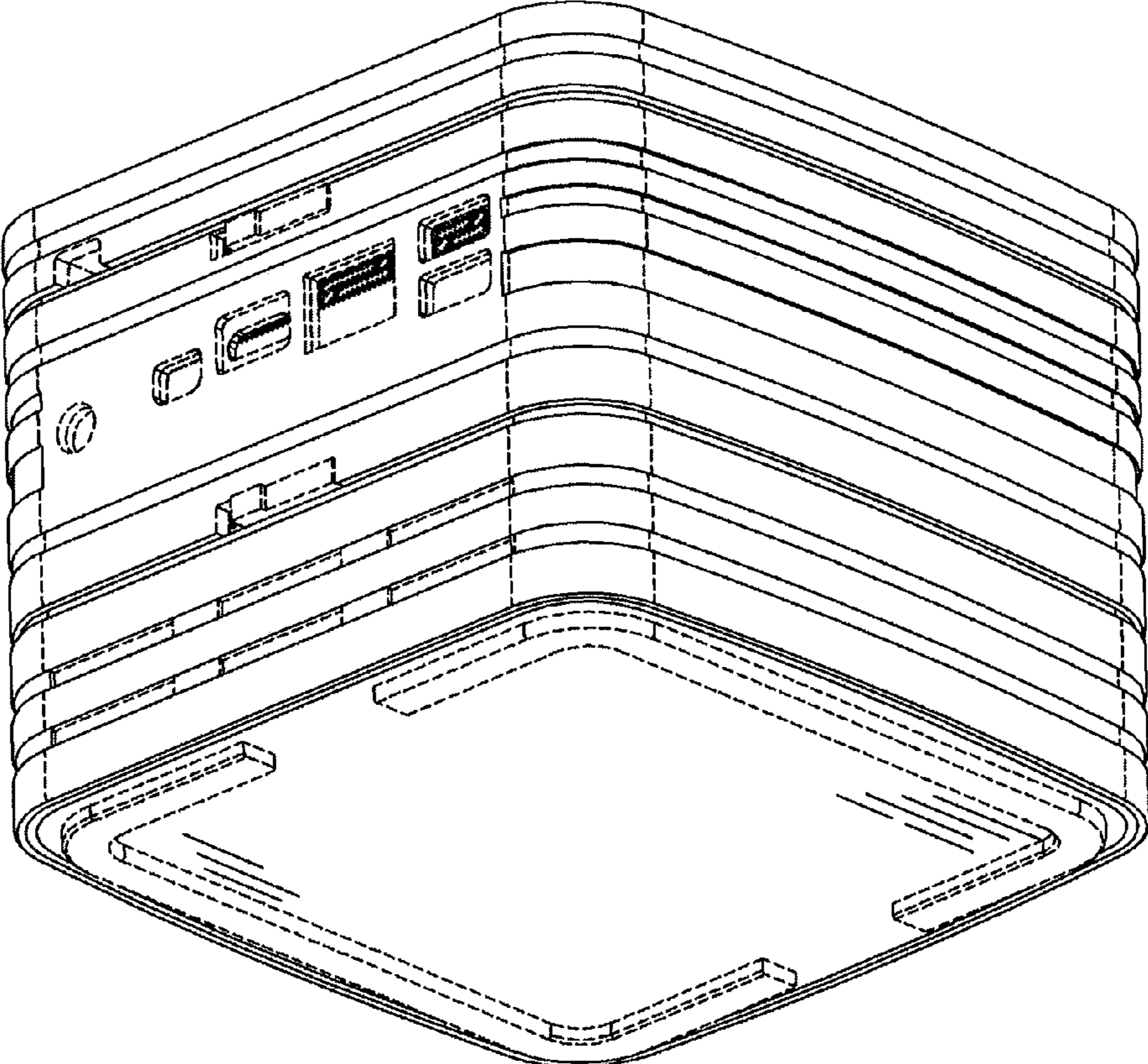


FIG.8

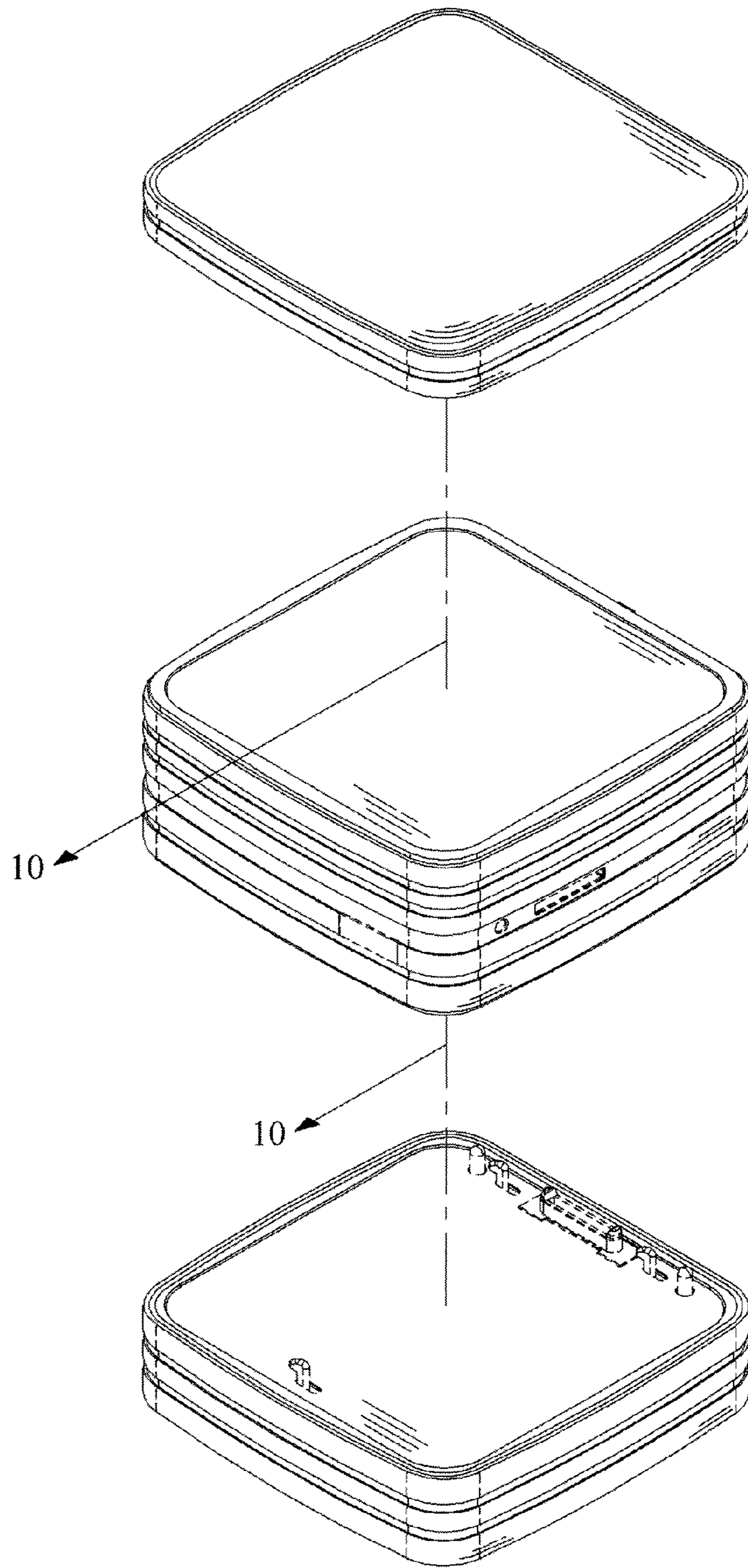


FIG.9

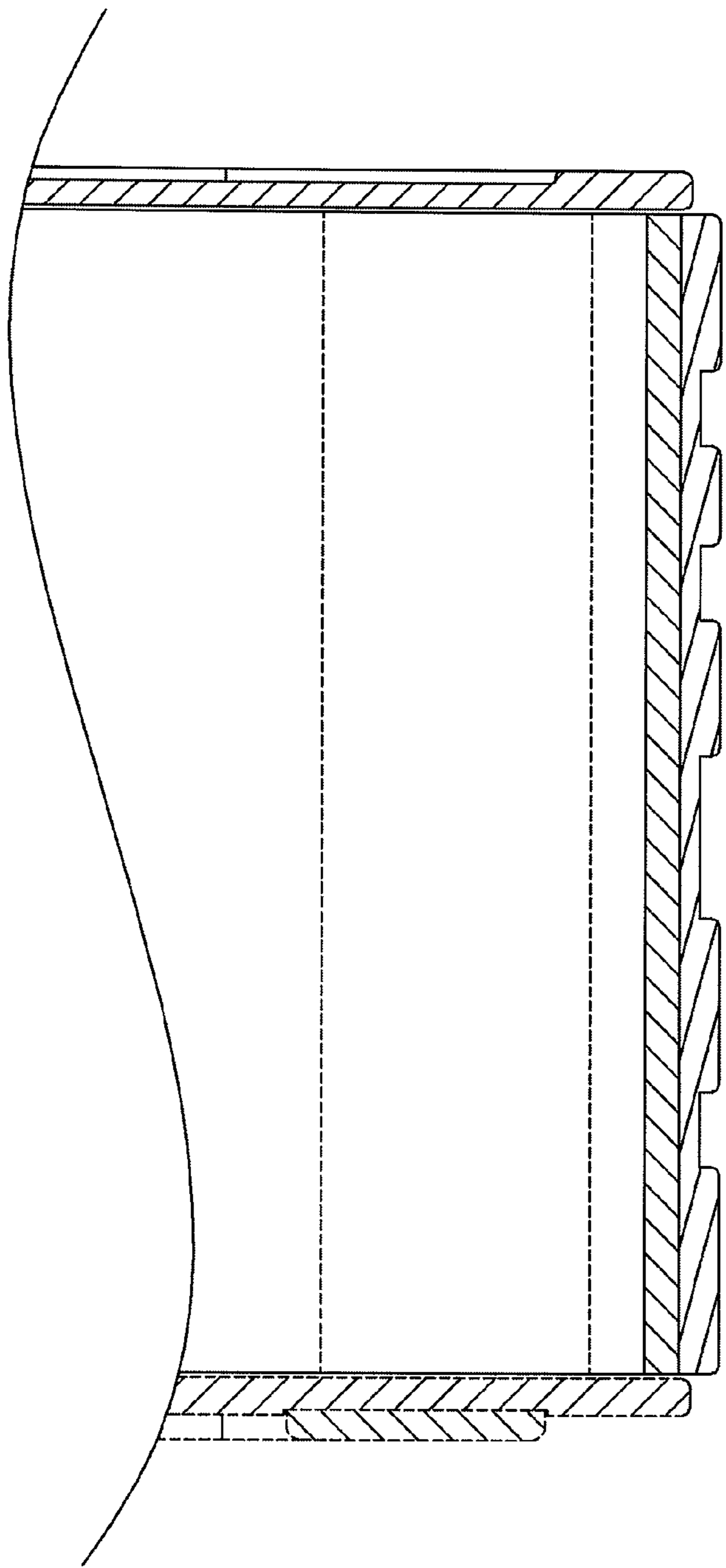


FIG. 10