



US00D741848S

(12) **United States Design Patent**
Kuo et al.

(10) **Patent No.:** **US D741,848 S**

(45) **Date of Patent:** **** Oct. 27, 2015**

(54) **COMPUTING DEVICE**

(56) **References Cited**

(71) Applicants: **Inventec (Pudong) Technology Corporation**, Shanghai (CN); **INVENTEC CORPORATION**, Taipei (TW)

U.S. PATENT DOCUMENTS

D563,994	S	*	3/2008	Liu et al.	D14/496
D577,719	S	*	9/2008	Kobeli et al.	D14/300
D579,013	S	*	10/2008	Kobeli et al.	D14/349
D602,019	S	*	10/2009	Wang et al.	D14/356
D618,232	S	*	6/2010	O'Neil et al.	D14/314
D624,541	S	*	9/2010	Kemery et al.	D14/358

(72) Inventors: **Ya-Ian Kuo**, Taipei (TW); **Lung-Hsun Song**, Taipei (TW); **Chun-Chi Lin**, Taipei (TW); **Chia-Cheng Shih**, Taipei (TW)

* cited by examiner

(73) Assignees: **INVENTEC (PUDONG) TECHNOLOGY CORPORATION**, Shanghai (CN); **INVENTEC CORPORATION**, Taipei (TW)

Primary Examiner — Freda S Nunn

(74) *Attorney, Agent, or Firm* — Muncy, Geissler, Olds & Lowe, P.C.

(**) Term: **14 Years**

(57) **CLAIM**

(21) Appl. No.: **29/500,683**

The ornamental design for a computing device, as shown and described.

(22) Filed: **Aug. 27, 2014**

DESCRIPTION

(30) **Foreign Application Priority Data**

Jun. 3, 2014 (TW) 103303328

(51) **LOC (10) Cl.** **14-02**

(52) **U.S. Cl.**
USPC **D14/308**

(58) **Field of Classification Search**
USPC D14/240, 300, 301, 308, 313, 314,
D14/348-356, 364-368, 441-446;
D13/162, 184, 199; 312/223.1-223.3,
312/351.11; 360/99.01-99.12;
369/34.01-36.01; 361/679.31-679.33,
361/679.37, 679.39, 679.46, 679.53, 679.4,
361/679.41, 727

CPC G06F 1/20; G06F 1/181; G06F 1/187;
H05K 7/16; H05K 7/1424; H05H 7/20

See application file for complete search history.

FIG. 1 is a perspective view of a computing device showing our new design;

FIG. 2 is a front elevational view thereof;

FIG. 3 is a rear elevational view thereof;

FIG. 4 is a left side elevational view thereof;

FIG. 5 is a right side elevational view thereof;

FIG. 6 is a top side elevational view thereof;

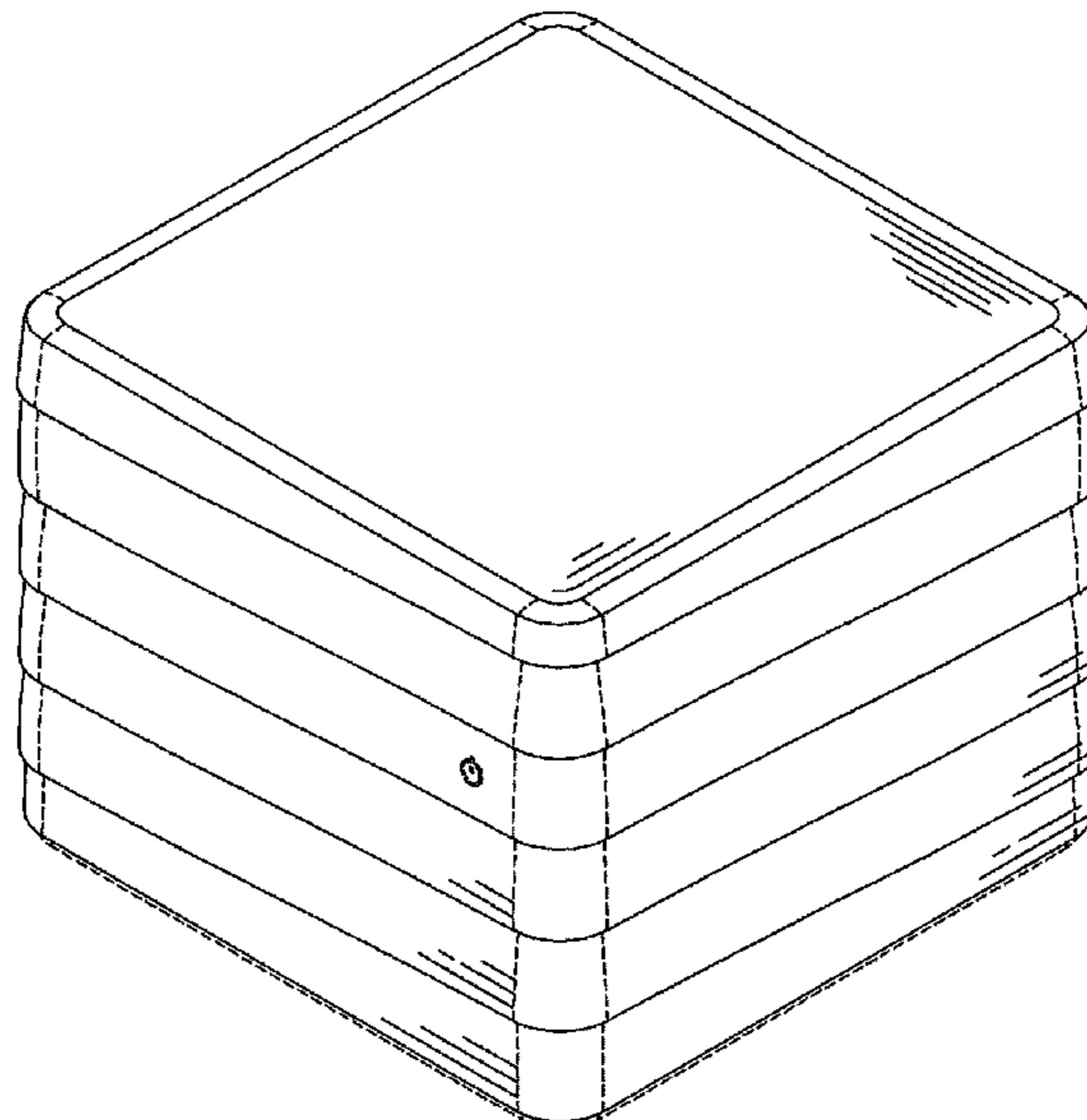
FIG. 7 is a bottom side elevational view thereof;

FIG. 8 is another perspective view thereof; and,

FIG. 9 is an exploded view thereof which illustrates the three segments of the computing device (top, middle, and bottom) being separated.

Broken lines shown in the figures illustrate portions of the computing device and form no part of the claimed design.

1 Claim, 9 Drawing Sheets



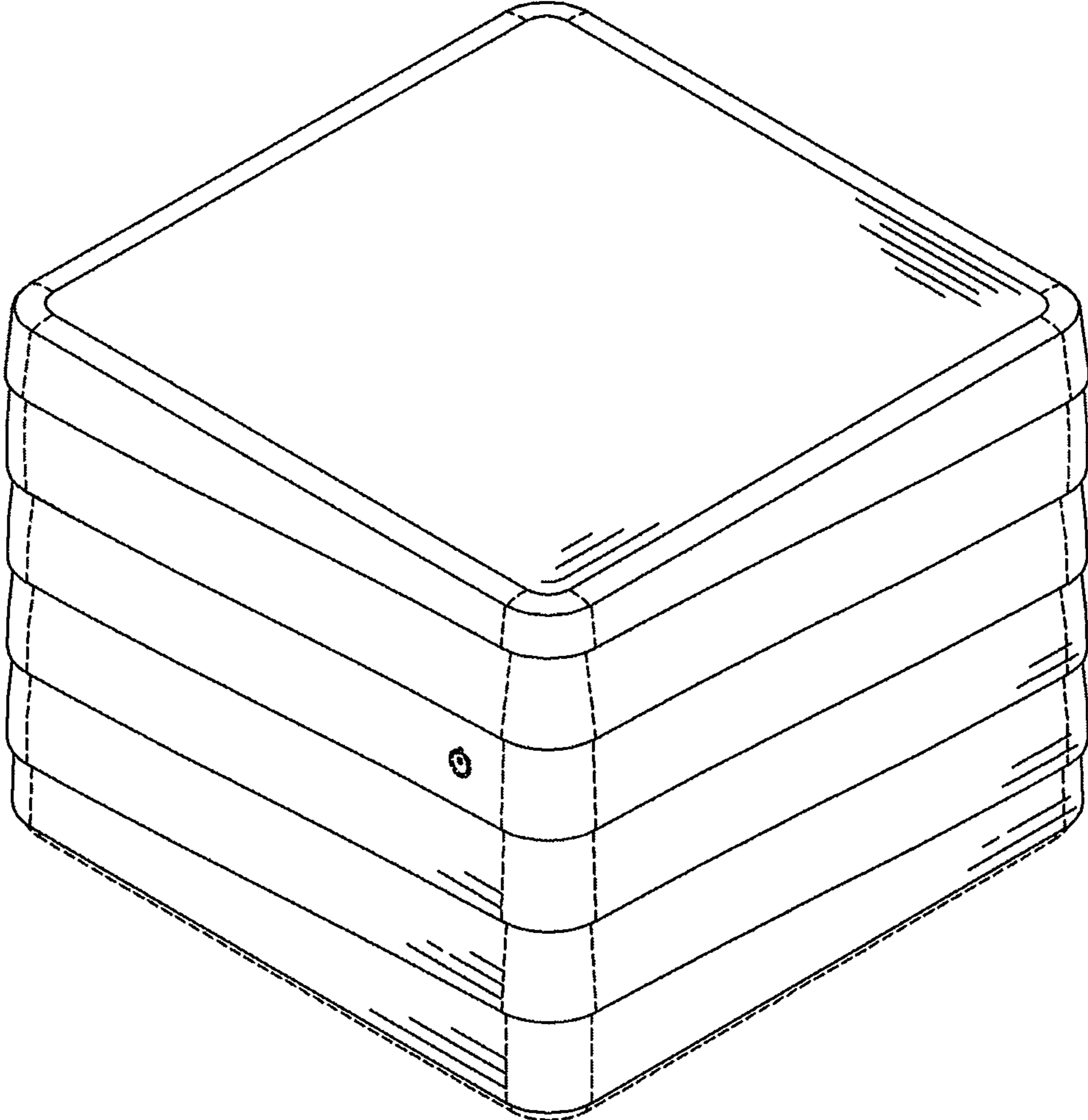


FIG.1

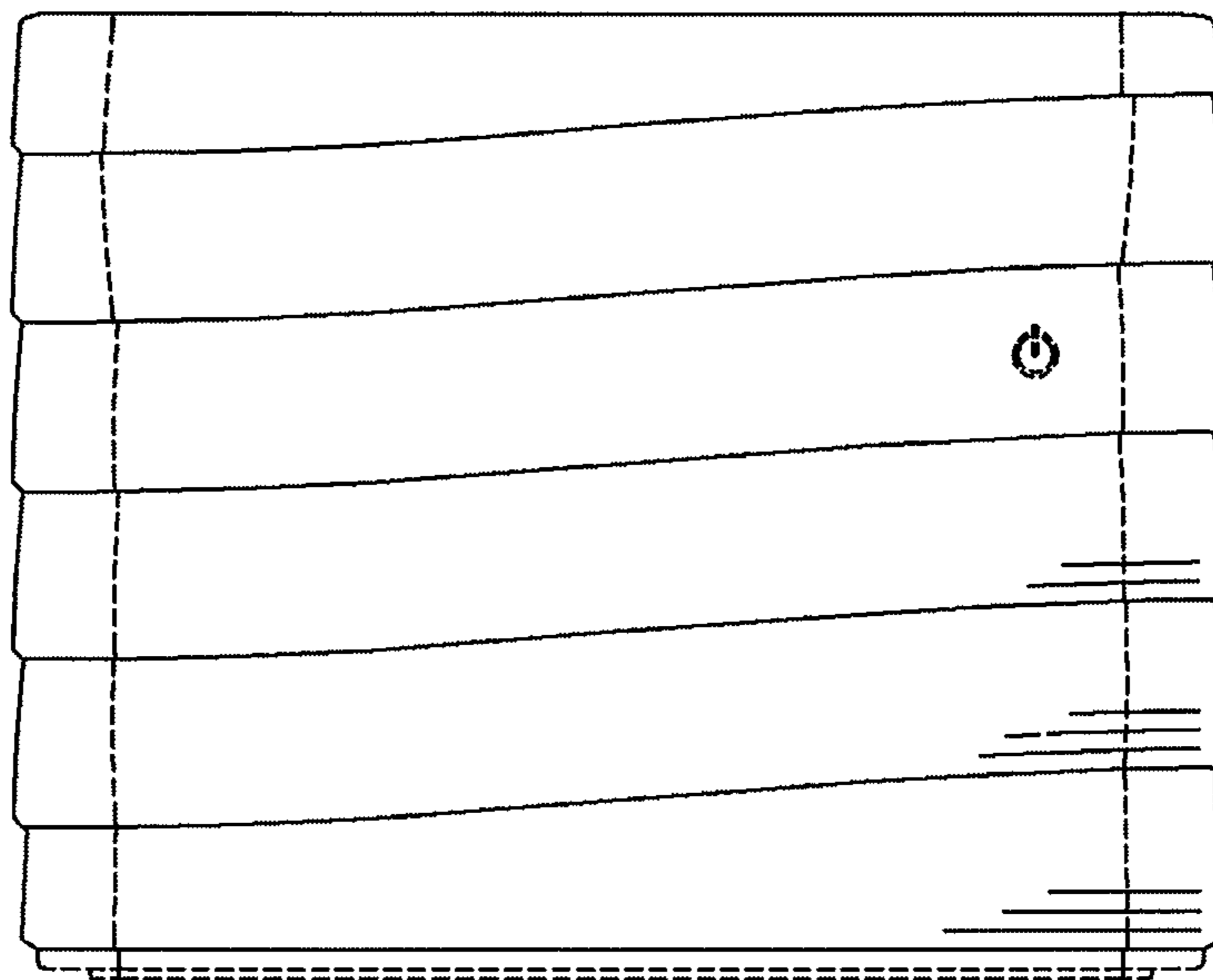


FIG. 2

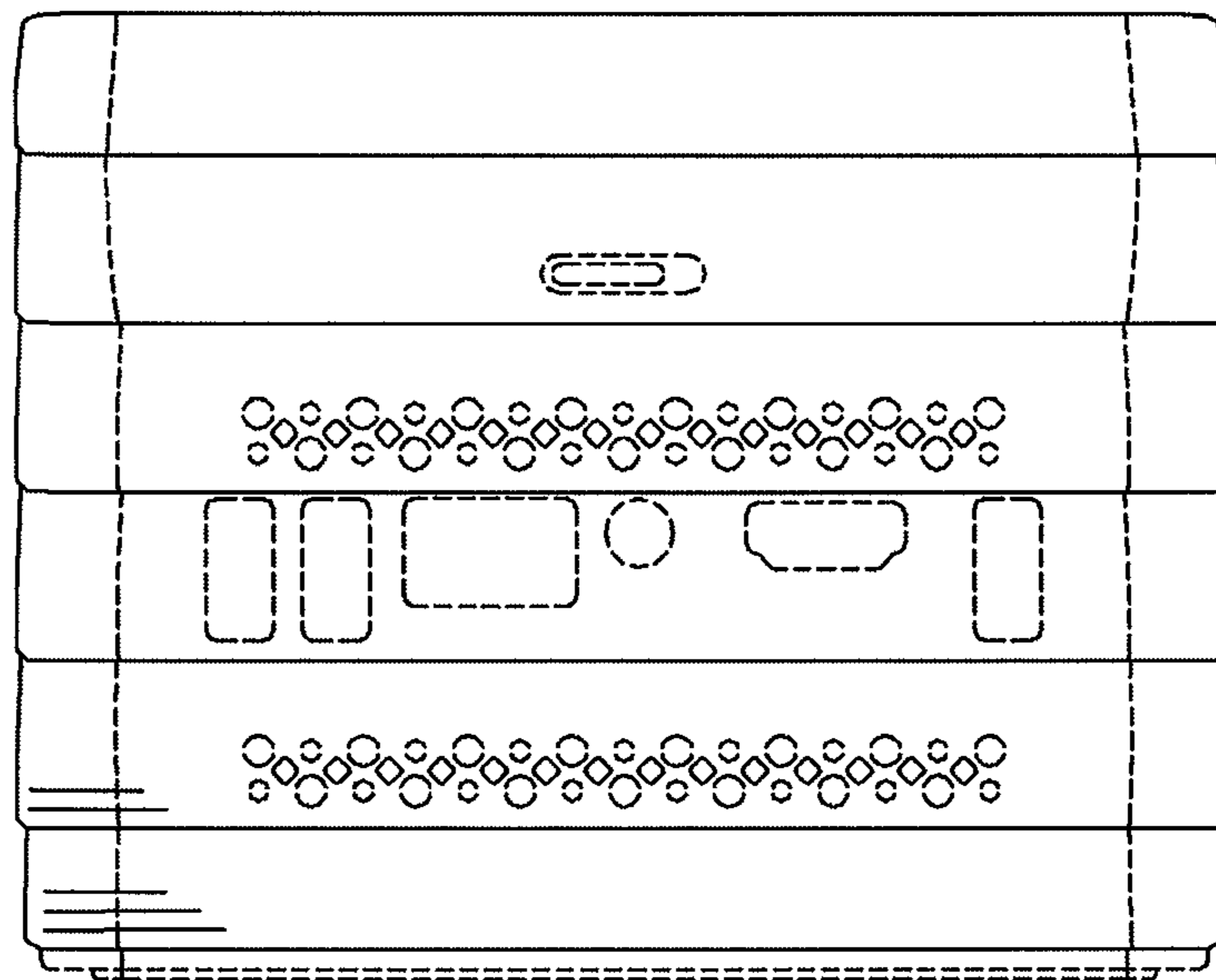


FIG.3

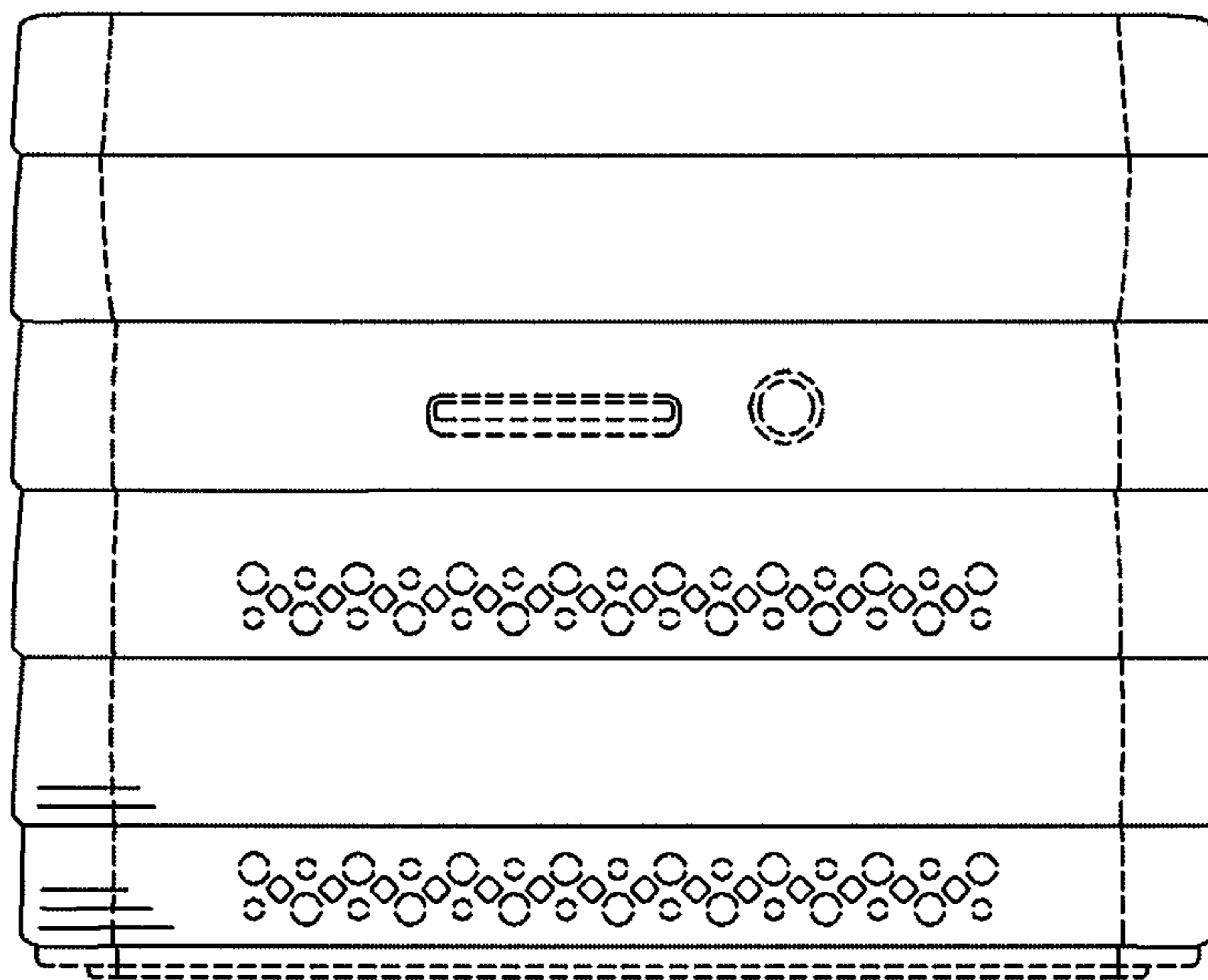


FIG. 4

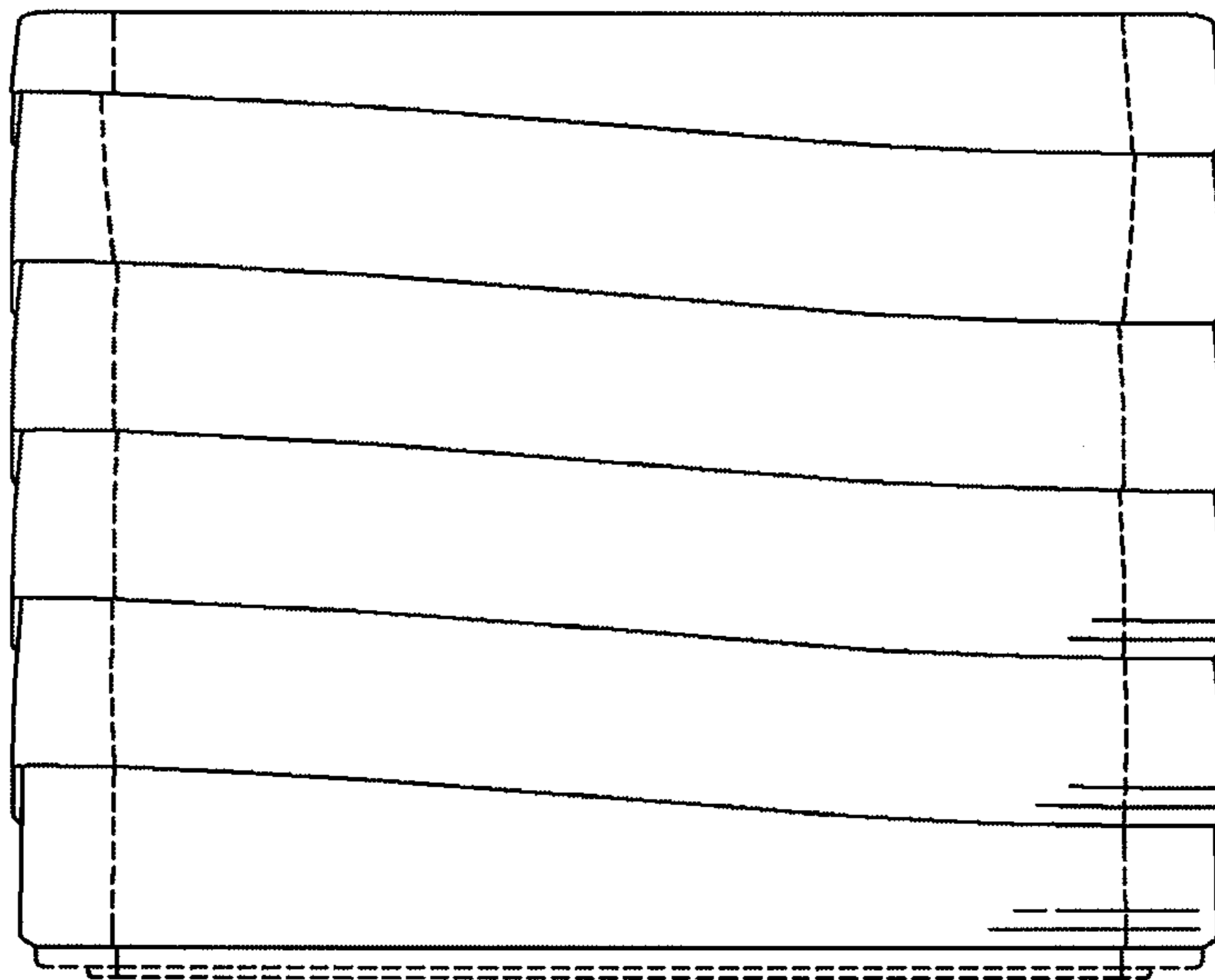


FIG.5

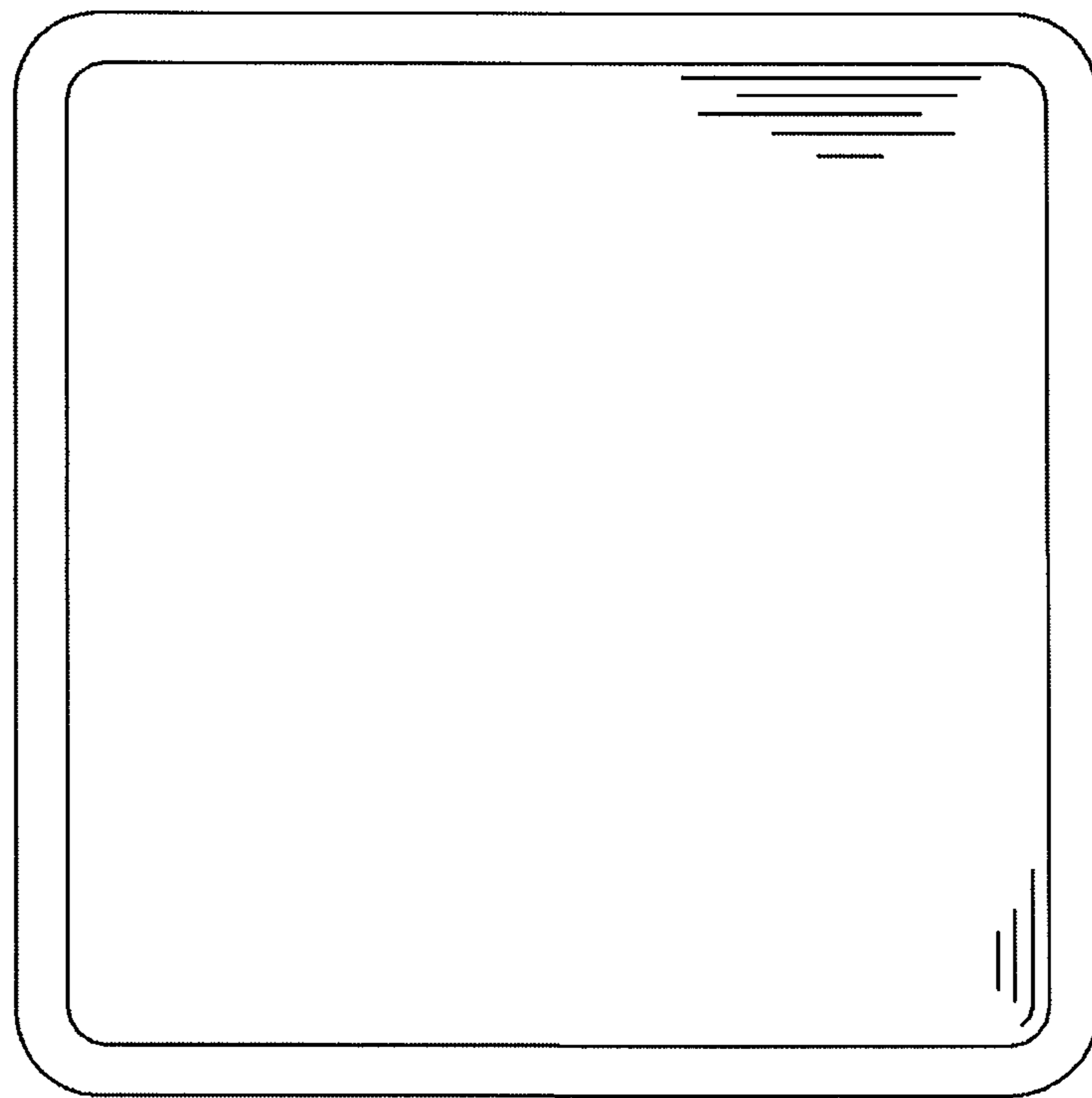


FIG.6

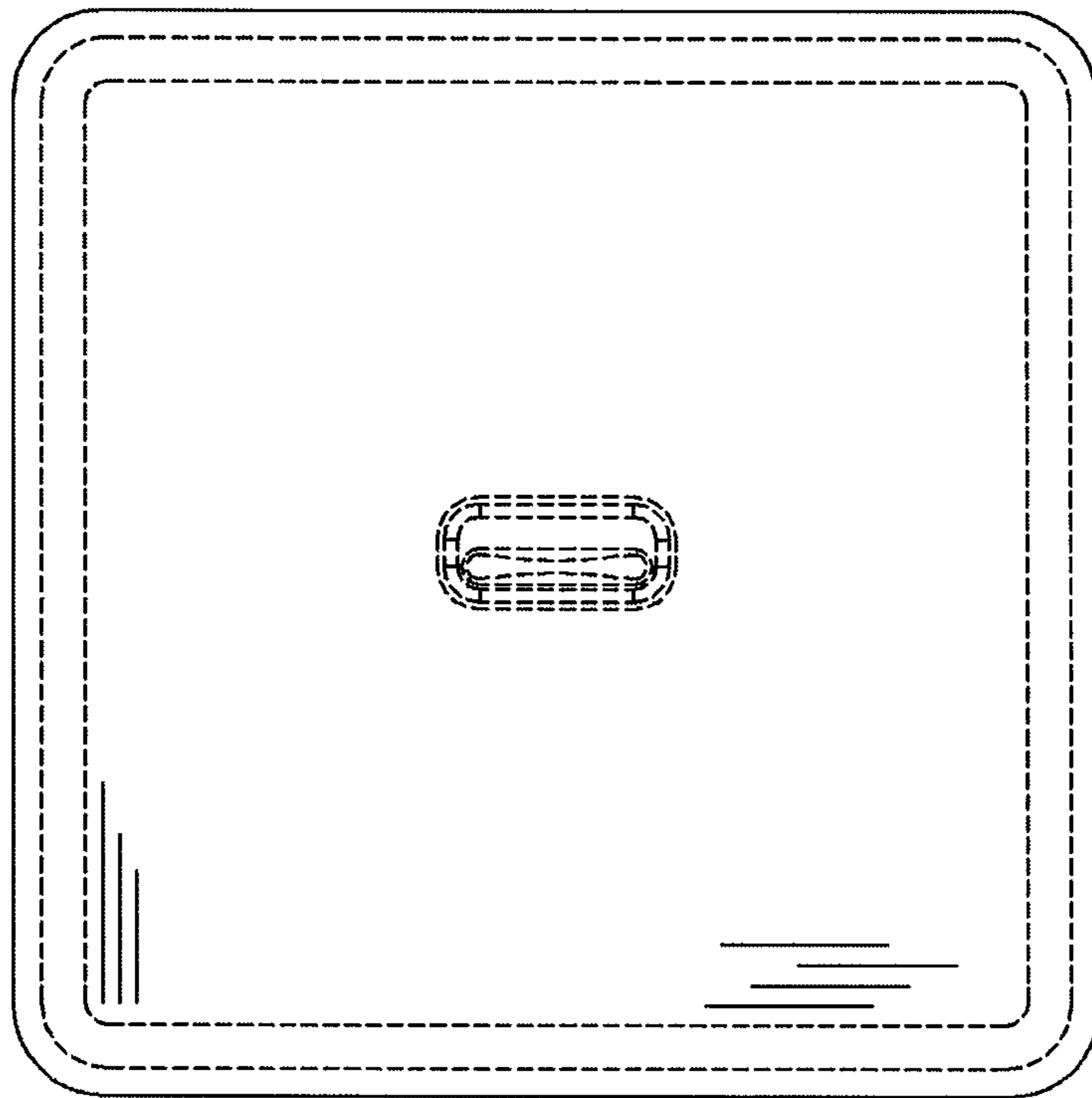


FIG. 7

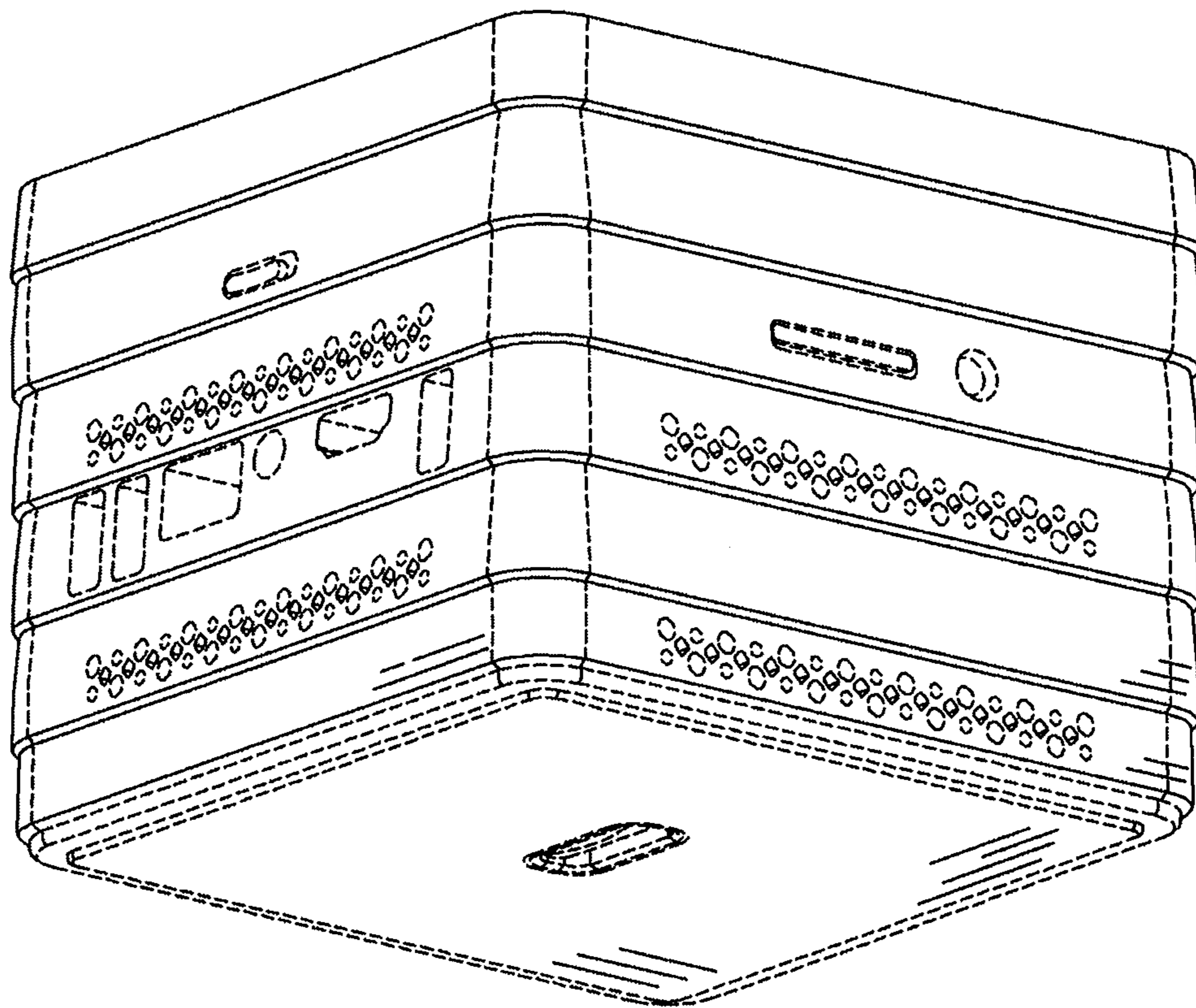


FIG.8

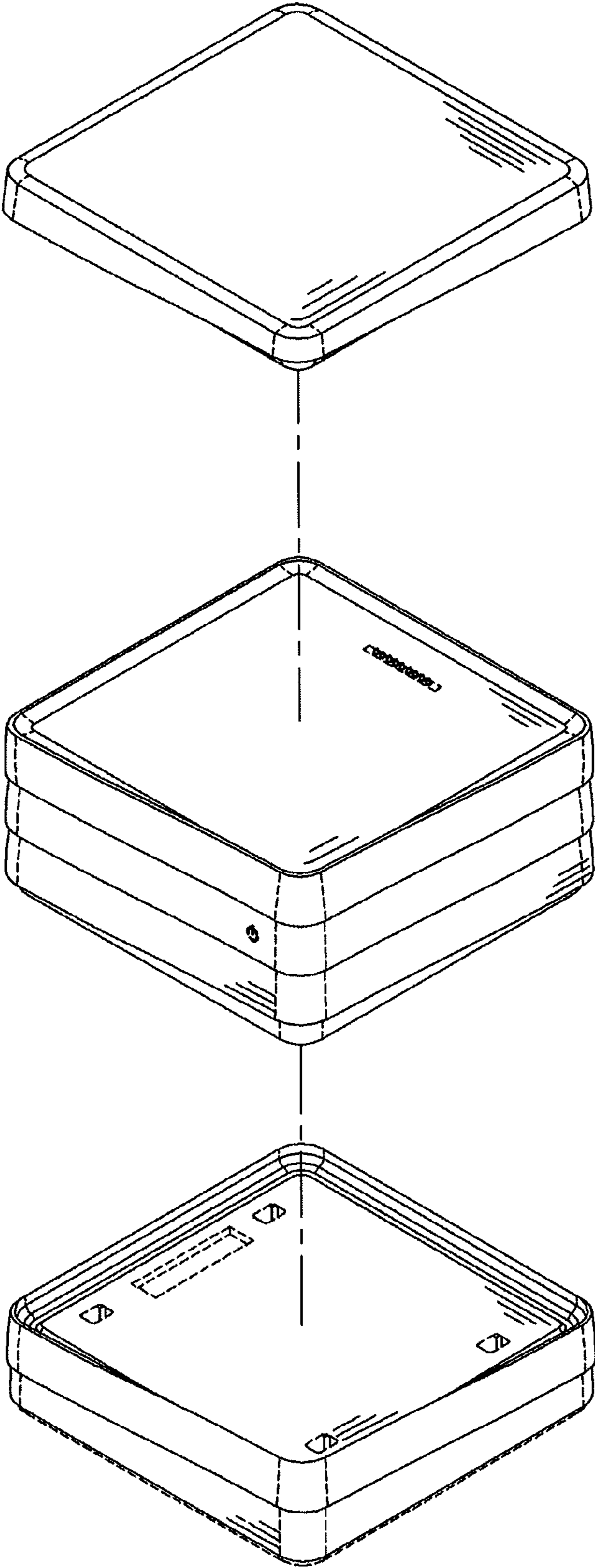


FIG.9