



US00D741847S

(12) **United States Design Patent**
Jeon et al.

(10) **Patent No.:** **US D741,847 S**
(45) **Date of Patent:** **** Oct. 27, 2015**

(54) **TELEPHONE CRADLE**

(56) **References Cited**

(71) Applicant: **Samsung Electronics Co., Ltd.**,
Suwon-si (KR)
(72) Inventors: **So-Yoon Jeon**, Guri-si (KR); **Ji-Hee Kwak**, Seoul (KR); **Ji-Hyun Moon**,
Gwangmyeong-si (KR)
(73) Assignee: **Samsung Electronics Co., Ltd.**,
Suwon-si (KR)
(**) Term: **14 Years**

U.S. PATENT DOCUMENTS

D215,536 S *	10/1969	Larsen	D6/601
D323,504 S *	1/1992	Langton	D14/142
D427,587 S *	7/2000	Jacobsen et al.	D14/240
D453,155 S *	1/2002	Michel	D14/253
D457,162 S *	5/2002	Hawkins et al.	D14/434
D534,489 S *	1/2007	Klein et al.	D13/108
D549,707 S *	8/2007	Depay	D14/434
D577,665 S *	9/2008	Kim et al.	D13/107
D623,132 S *	9/2010	Yano	D13/108
D631,009 S *	1/2011	Son et al.	D13/108
D636,395 S *	4/2011	Anderson et al.	D14/434
D642,121 S *	7/2011	Lee et al.	D13/108
D647,520 S *	10/2011	Wikel	D14/253
D654,954 S *	2/2012	Chuang	D19/91
D657,741 S *	4/2012	Fahrendorff et al.	D13/108

(21) Appl. No.: **29/490,305**

(22) Filed: **May 8, 2014**

(30) **Foreign Application Priority Data**

Dec. 12, 2013 (KR) 30-2013-0062974

(51) **LOC (10) Cl.** **14-03**

(52) **U.S. Cl.**
USPC **D14/253**

(58) **Field of Classification Search**
USPC D14/251-253, 151, 130, 140.8, 140.9,
D14/142, 144, 149, 150, 155, 158, 159, 217,
D14/226, 229, 240, 307, 336, 399, 329,
D14/434; D21/517; D13/107, 108, 168;
D10/1-4, 15, 23-27, 65; D8/349;
D6/303, 310, 376, 377; 379/88.17,
379/90.01, 93.17, 93.23, 387.01, 388.02,
379/419-420.04, 420.02, 428.01-428.04,
379/434-436, 440, 446-447, 454-455;
455/575.1; D19/86-88, 90, 91, 95
CPC H04M 1/00; H04M 1/04; H04M 1/06;
H04M 1/11; F16M 11/04; F16M 11/041
See application file for complete search history.

(Continued)

Primary Examiner — Susan Bennett Hattan

Assistant Examiner — Marie Fast Horse

(74) *Attorney, Agent, or Firm* — NSIP Law

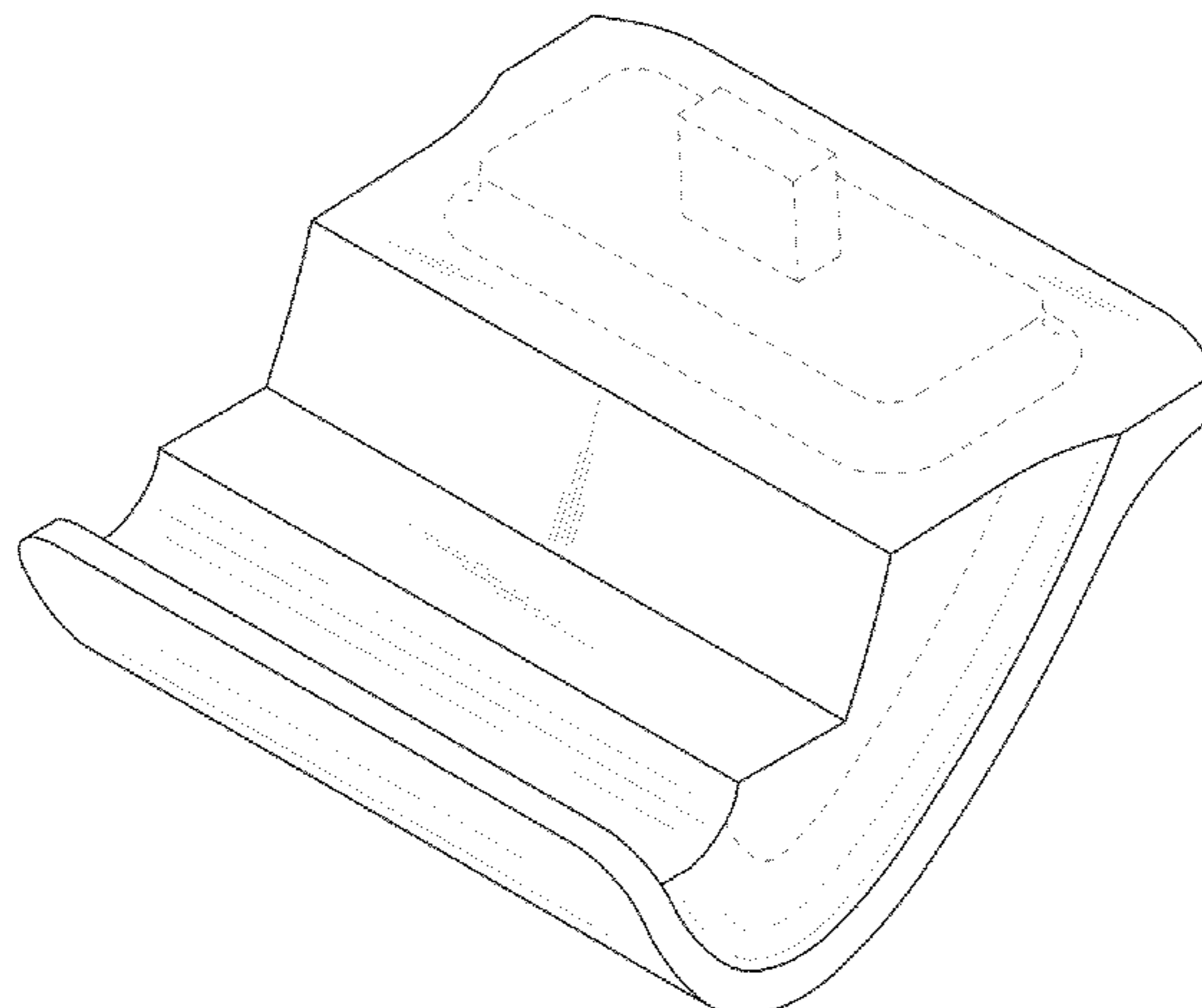
(57) **CLAIM**

We claim the ornamental design for a telephone cradle, as shown and described.

DESCRIPTION

FIG. 1 is a front perspective view of a telephone cradle showing our new design;
FIG. 2 is a front view thereof;
FIG. 3 is a rear view thereof;
FIG. 4 is a left-side view thereof;
FIG. 5 is a right-side view thereof;
FIG. 6 is a top view thereof;
FIG. 7 is a bottom view thereof; and,
FIG. 8 is another front perspective view, in which a telephone in broken lines is provided to illustrate unclaimed environment.
The broken lines in the figures depict portions of the telephone cradle that form no part of the claimed design.
The broken line showing of the telephone in FIG. 8 is for environmental purposes only and forms no part of the claimed design.

1 Claim, 5 Drawing Sheets



(56)

References Cited

U.S. PATENT DOCUMENTS

D666,145 S *	8/2012	Kim et al.	D13/108	D692,009 S *	10/2013	Ashida et al.	D14/447
D674,392 S *	1/2013	Cheng et al.	D14/434	D703,676 S *	4/2014	Smith et al.	D14/447
D676,037 S *	2/2013	Schupsky	D14/253	D705,158 S *	5/2014	Gengler	D13/107
D676,832 S *	2/2013	Akana et al.	D14/217	D705,722 S *	5/2014	Gengler	D13/107
D681,626 S *	5/2013	Zehner	D14/253	D706,561 S *	6/2014	Buller	D6/682
D687,833 S *	8/2013	Gittins	D14/447	D709,308 S *	7/2014	Buller	D6/682
D687,834 S *	8/2013	Gittins	D14/447	D711,316 S *	8/2014	Ryu et al.	D13/108
D687,835 S *	8/2013	Gittins	D14/447	D714,576 S *	10/2014	Buller	D6/682.3
D690,308 S *	9/2013	McCoy	D14/458	D718,742 S *	12/2014	Warner	D14/217
				D720,564 S *	1/2015	Buller	D6/682
				D726,458 S *	4/2015	Buller	D6/683
				2013/0003291 A1 *	1/2013	Zhou	361/679.41

* cited by examiner

FIG.1

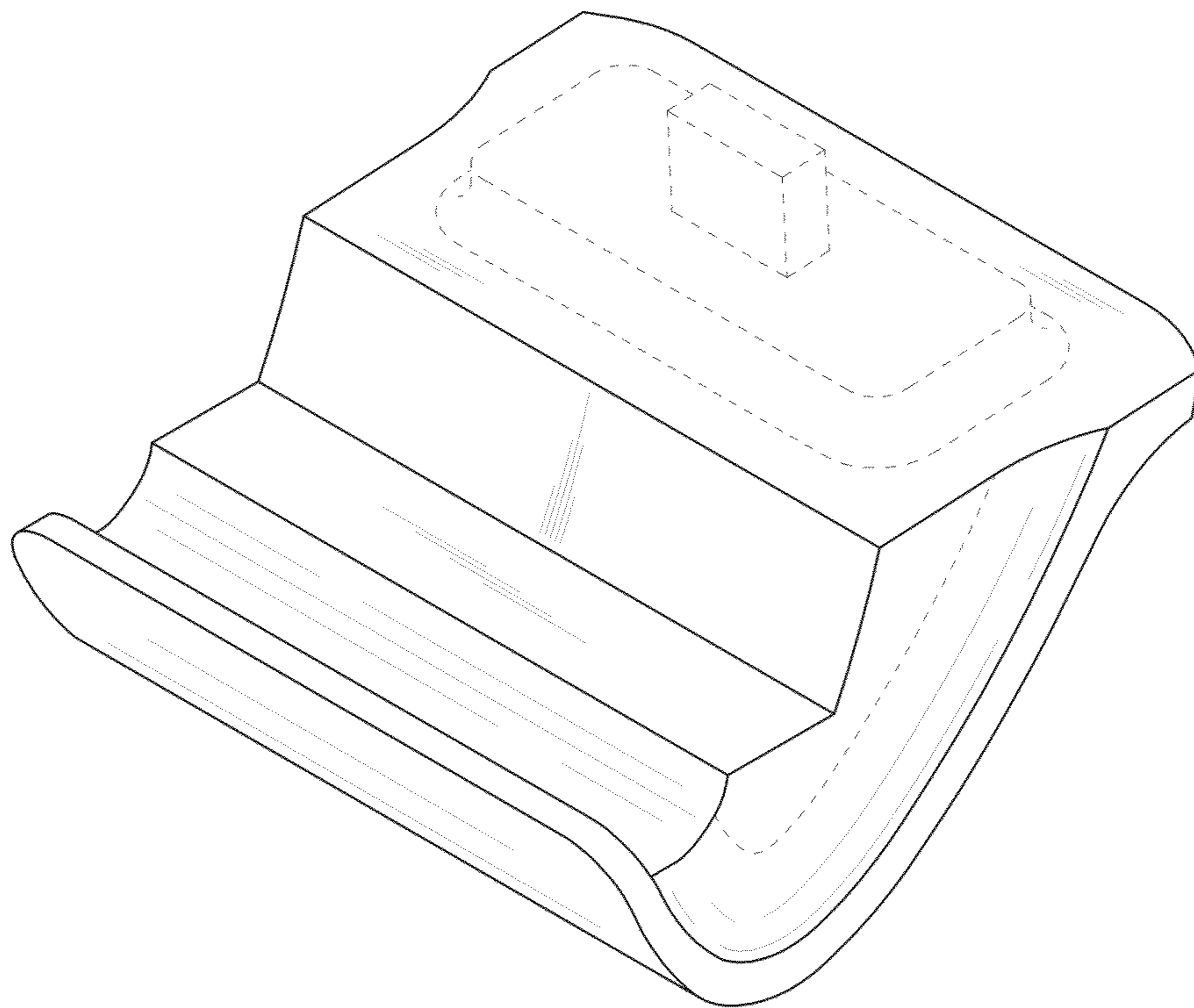


FIG.2

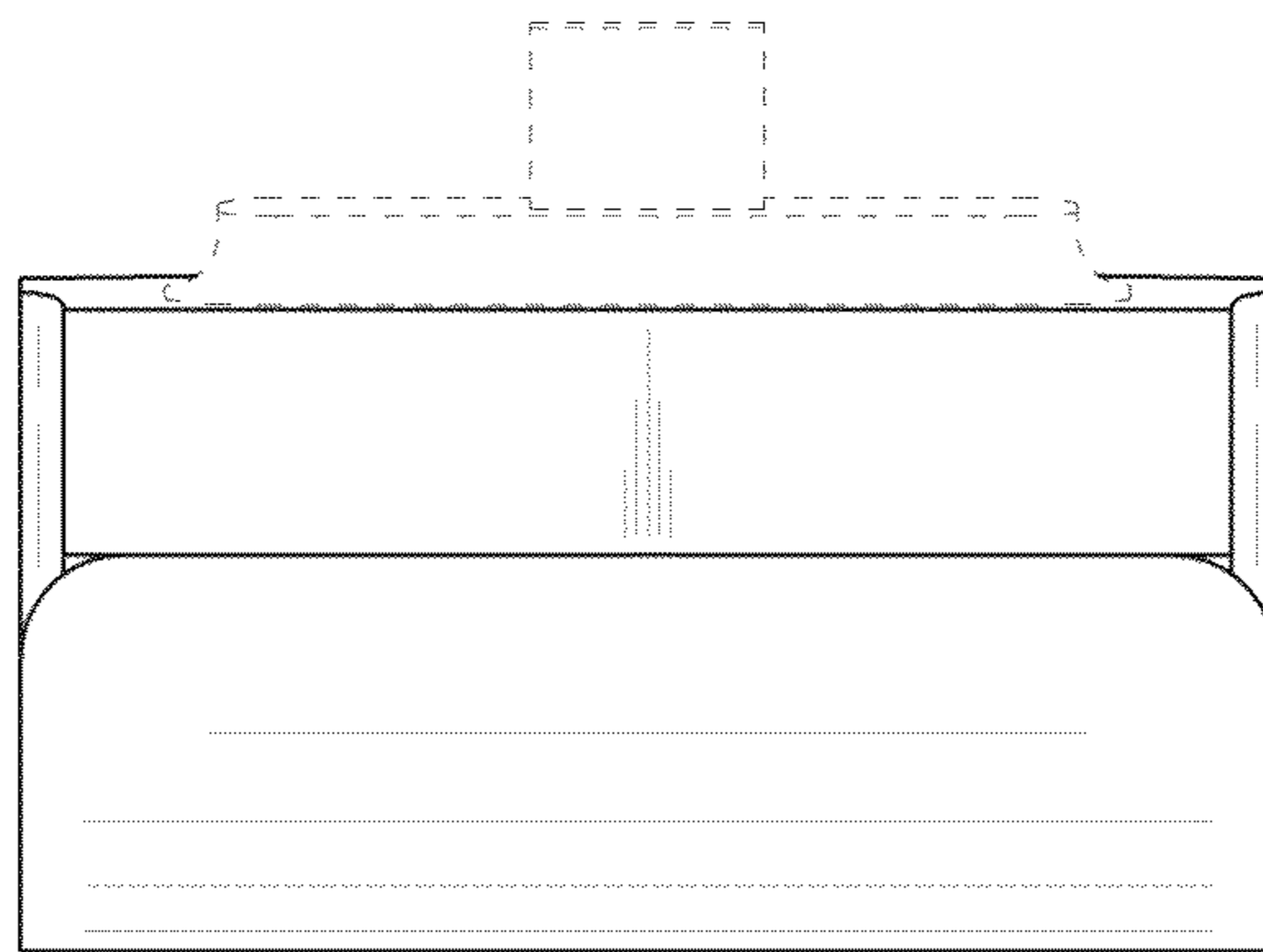


FIG.3

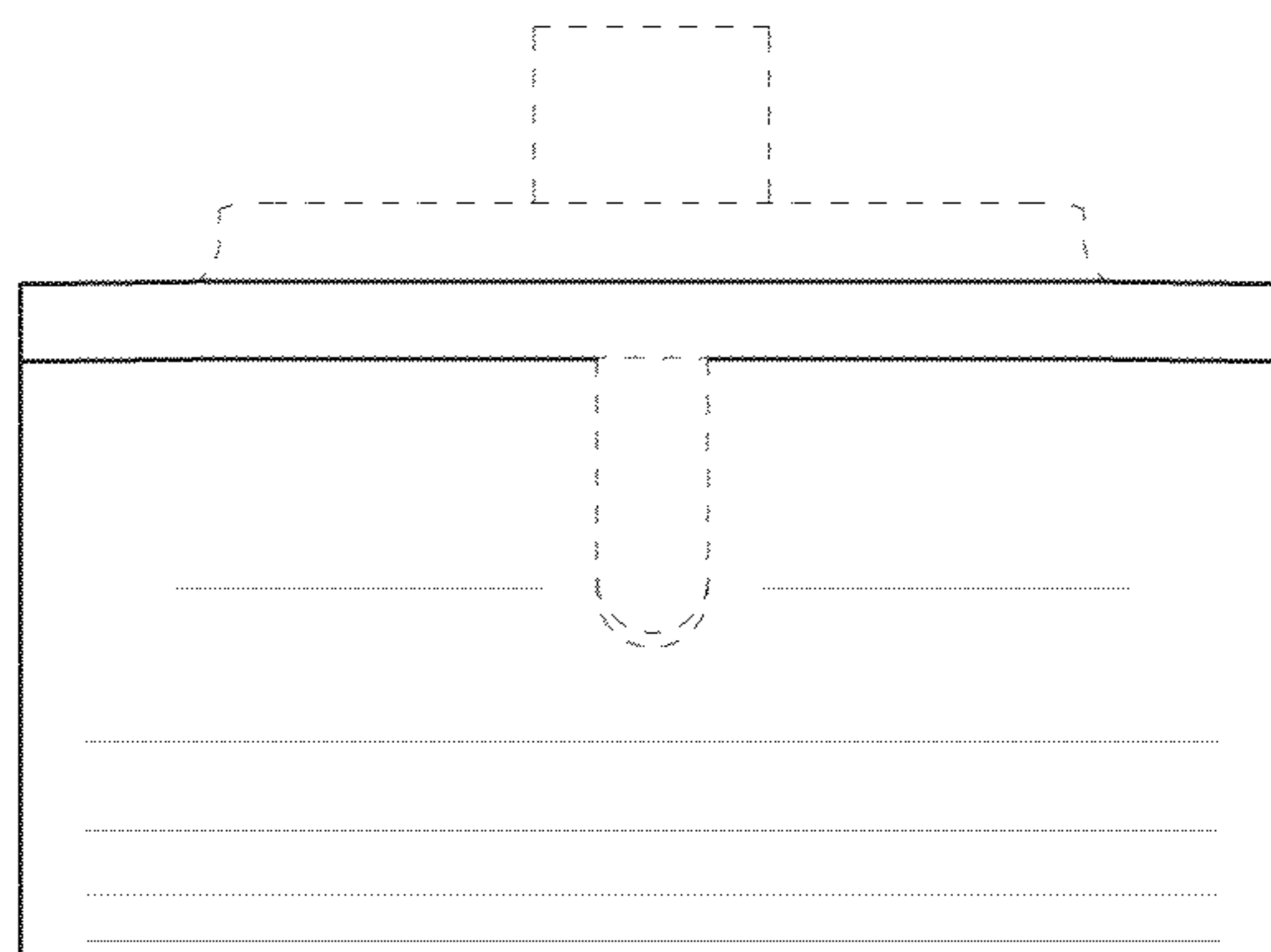


FIG.4

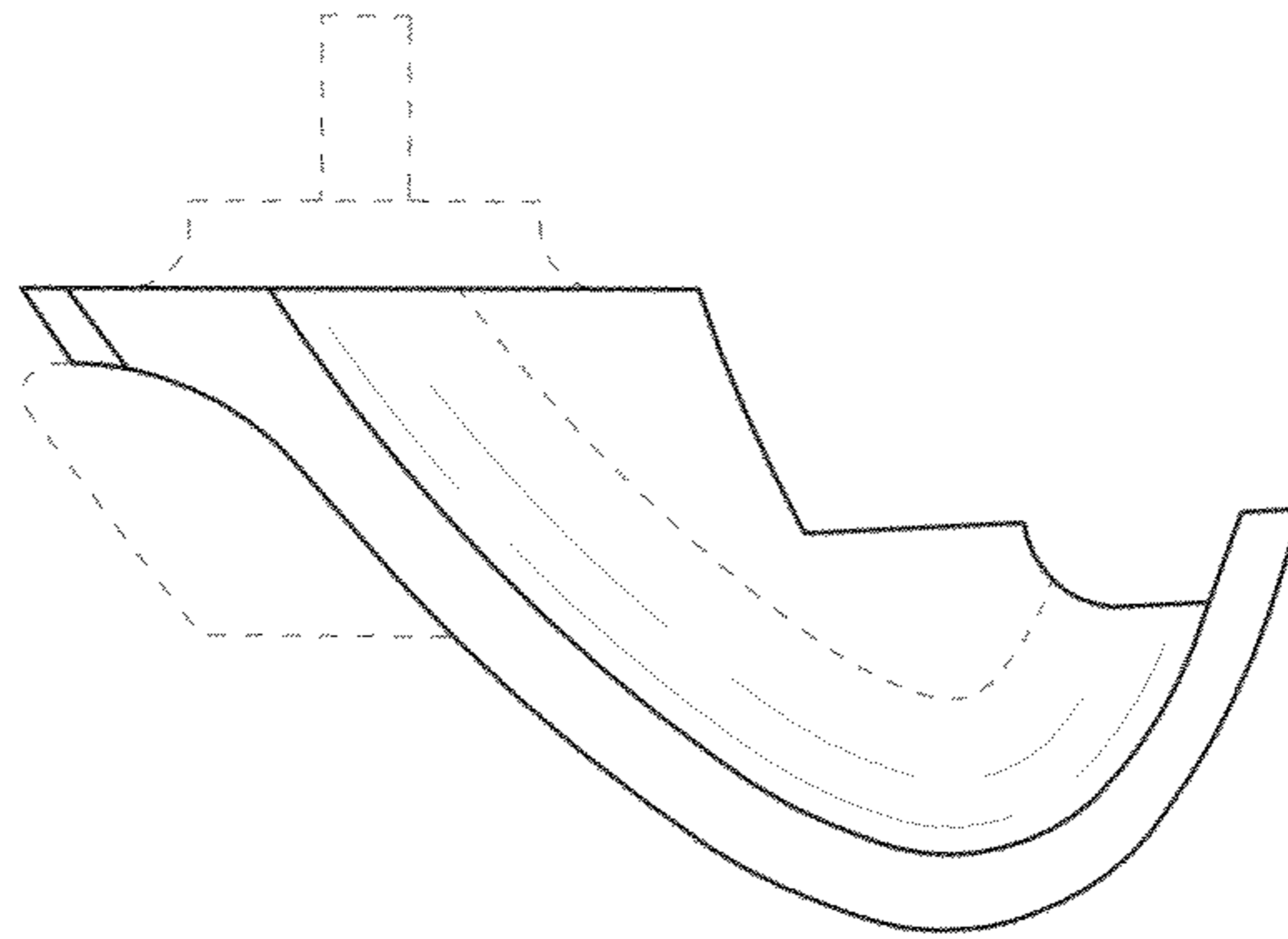


FIG.5

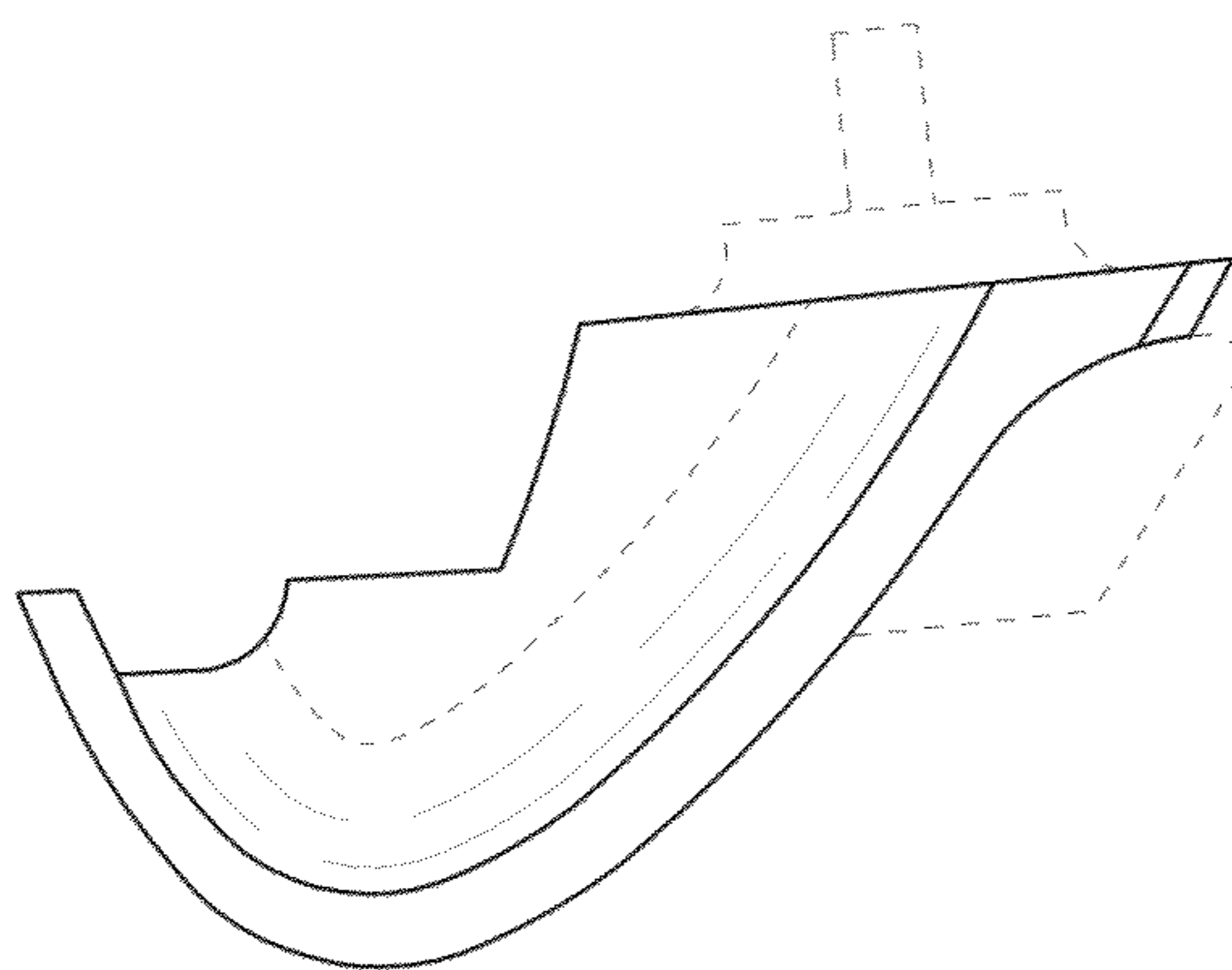


FIG.6

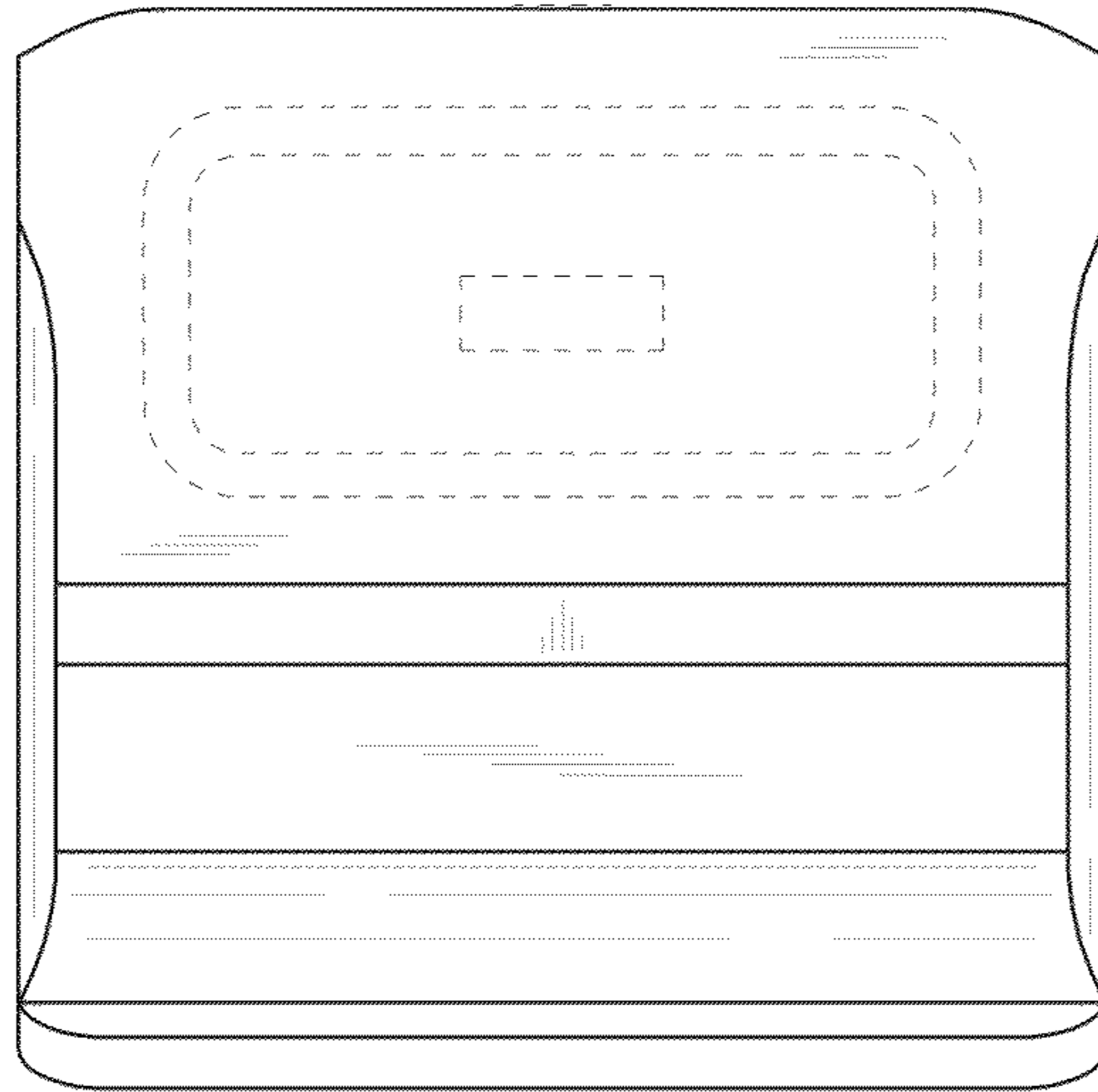


FIG.7

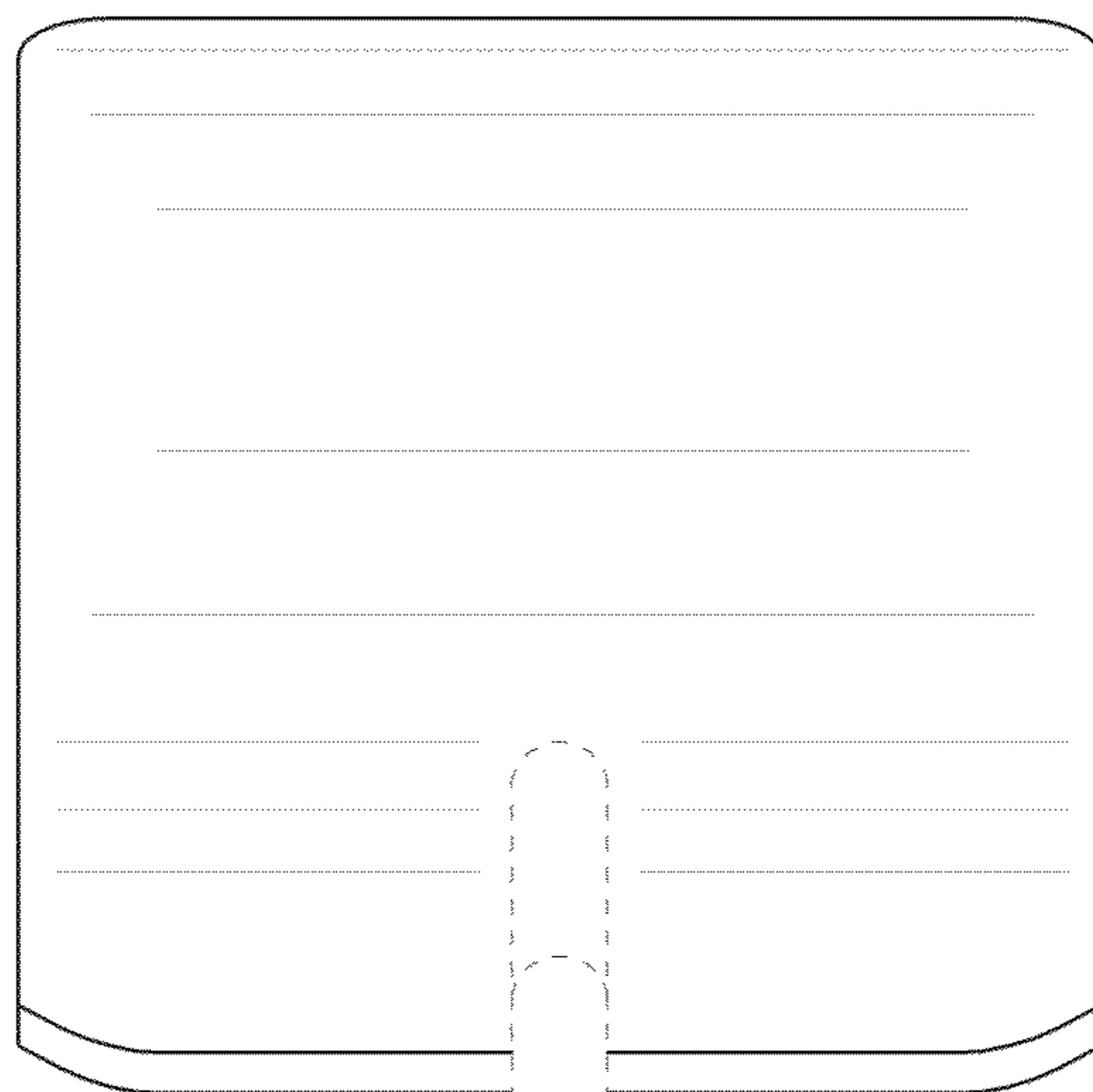


FIG.8

