



US00D741843S

(12) **United States Design Patent**
Heinrich et al.

(10) **Patent No.:** **US D741,843 S**

(45) **Date of Patent:** **** Oct. 27, 2015**

(54) **TERRESTRIAL UNIT FOR CONNECTIVITY TO A BALLOON NETWORK**

(71) Applicant: **Google Inc.**, Mountain View, CA (US)

(72) Inventors: **Mitchell Joseph Heinrich**, San Francisco, CA (US); **Yoshimichi Matsuoka**, Cupertino, CA (US); **Brian Wasson**, Oakland, CA (US)

(73) Assignee: **GOOGLE INC.**, Mountain View, CA (US)

(**) Term: **14 Years**

(21) Appl. No.: **29/456,910**

(22) Filed: **Jun. 5, 2013**

(51) **LOC (10) Cl.** **14-03**

(52) **U.S. Cl.**
USPC **D14/231**

(58) **Field of Classification Search**
USPC D14/230–238, 299, 358;
343/700 R–705, 711–713, 871–908;
455/90.2–90.3; 40/541; D20/16, 38,
D20/42, 99
CPC H01Q 7/00; H01Q 13/10; H01Q 9/285;
H01Q 19/30; H01Q 19/12; H01Q 1/38;
H04B 1/0475; H04B 1/034; H05K 11/00
See application file for complete search history.

(56) **References Cited**

U.S. PATENT DOCUMENTS

D45,811 S * 5/1914 Klein D20/19
3,071,400 A * 1/1963 Bellock 211/206
3,268,897 A * 8/1966 Link 343/713
4,081,784 A * 3/1978 Wilson et al. 367/94
4,242,822 A * 1/1981 Black 40/607.06
D338,206 S * 8/1993 Sawaguchi et al. D14/230
D362,443 S * 9/1995 Inoue D14/231
D366,487 S * 1/1996 Jones D14/238
D387,771 S * 12/1997 Martinson et al. D14/230
D393,879 S * 4/1998 Veto D20/43
D399,263 S * 10/1998 Christopher D20/41
D401,593 S * 11/1998 Nishimura et al. D14/230

D401,594 S * 11/1998 Nishimura et al. D14/230
D421,439 S * 3/2000 Giuntoli D14/230
D518,819 S * 4/2006 Gray D14/230
7,036,255 B1 * 5/2006 Santana et al. 40/607.09
D557,260 S * 12/2007 Westerling et al. D14/230
D617,319 S * 6/2010 Maffetone et al. D14/230
2011/0140983 A1 * 6/2011 Hills et al. 343/872
2015/0023517 A1 * 1/2015 Mizrahi 381/74

OTHER PUBLICATIONS

Jul. 2014 | Balloon News, online, site visited May 4, 2015, <https://balloonnews.wordpress.com/2014/07/>.*

Network in the sky, google publish date Jun. 15, 2013, online, site visited May 4, 2015, https://www.academia.edu/10913290/NETWORK_IN_THE_SKY.*

Project loon antenna system, video upload date Oct. 18, 2013, online, site visited May 4, 2015, <http://www.engadget.com/2013/10/19/project-loon-antenna-anatomy-lesson/>.*

Google's Project Loon : Offers Internet via Balloons, article date Jun. 16, 2013, online, site visited May 4, 2015, <http://news.thewindowsclub.com/>.*

* cited by examiner

Primary Examiner — John Windmuller

Assistant Examiner — John R Yeh

(74) *Attorney, Agent, or Firm* — McDonnell Boehnen Hulbert & Berghoff LLP

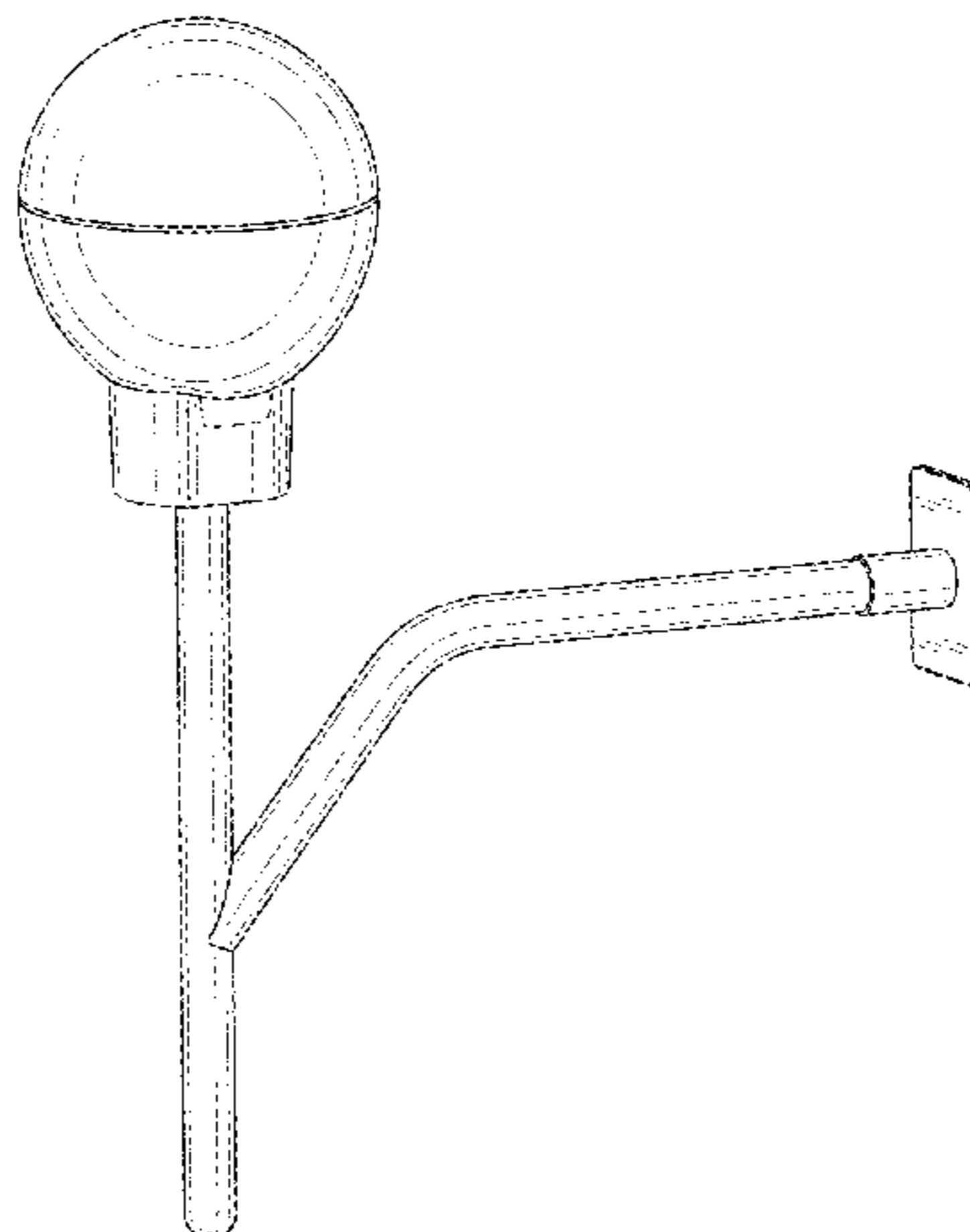
(57) **CLAIM**

The ornamental design for a terrestrial unit for connectivity to a balloon network, as shown and described.

DESCRIPTION

FIG. 1 is a terrestrial unit for connectivity to a balloon network in a perspective view;
FIG. 2 is a right side view thereof;
FIG. 3 is a left side view thereof;
FIG. 4 is a front view thereof;
FIG. 5 is a rear view thereof;
FIG. 6 is a top view thereof; and,
FIG. 7 is a bottom view thereof.
The broken lines illustrate portions of the drawings that form no part of the claimed design.

1 Claim, 7 Drawing Sheets



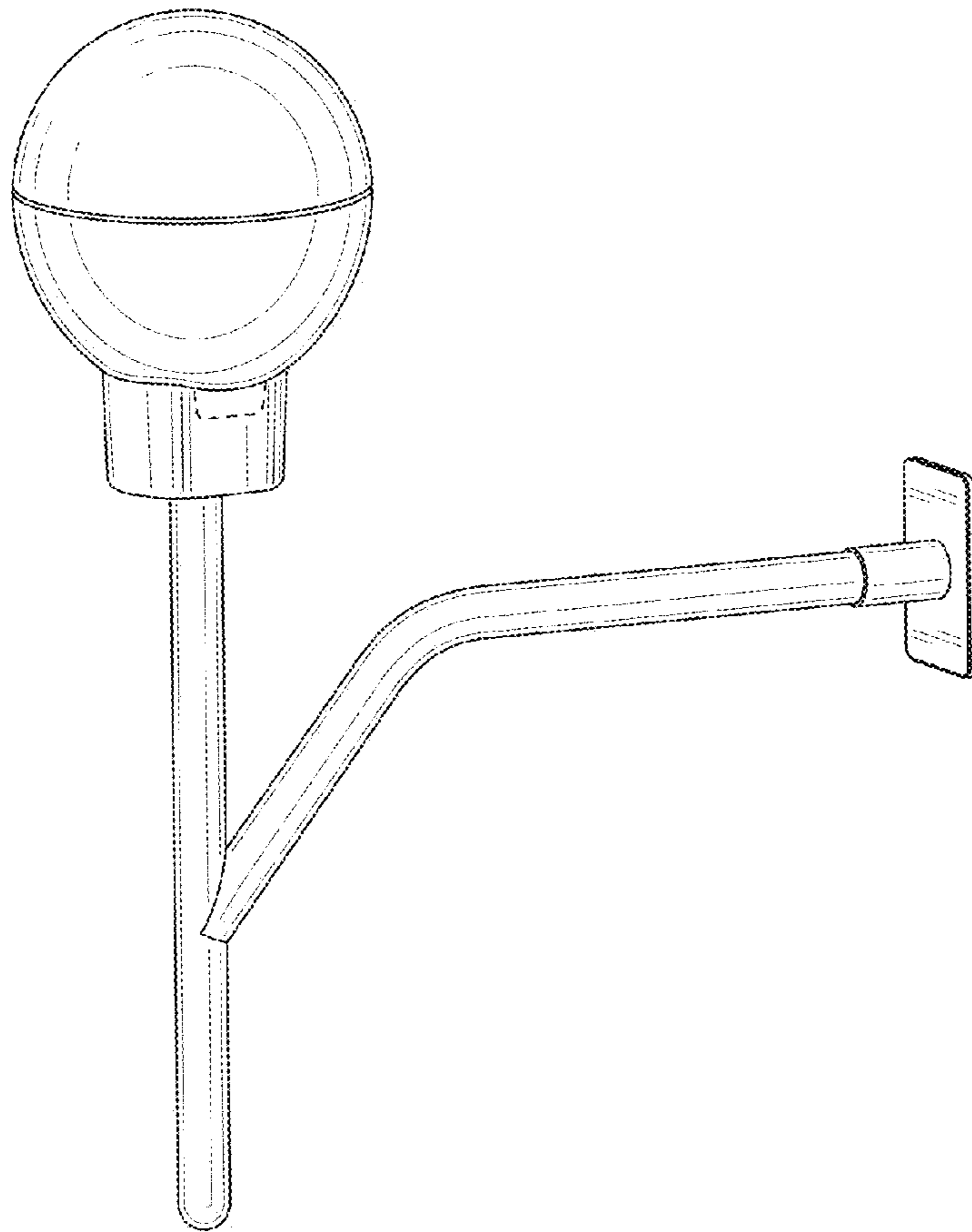


FIG. 1

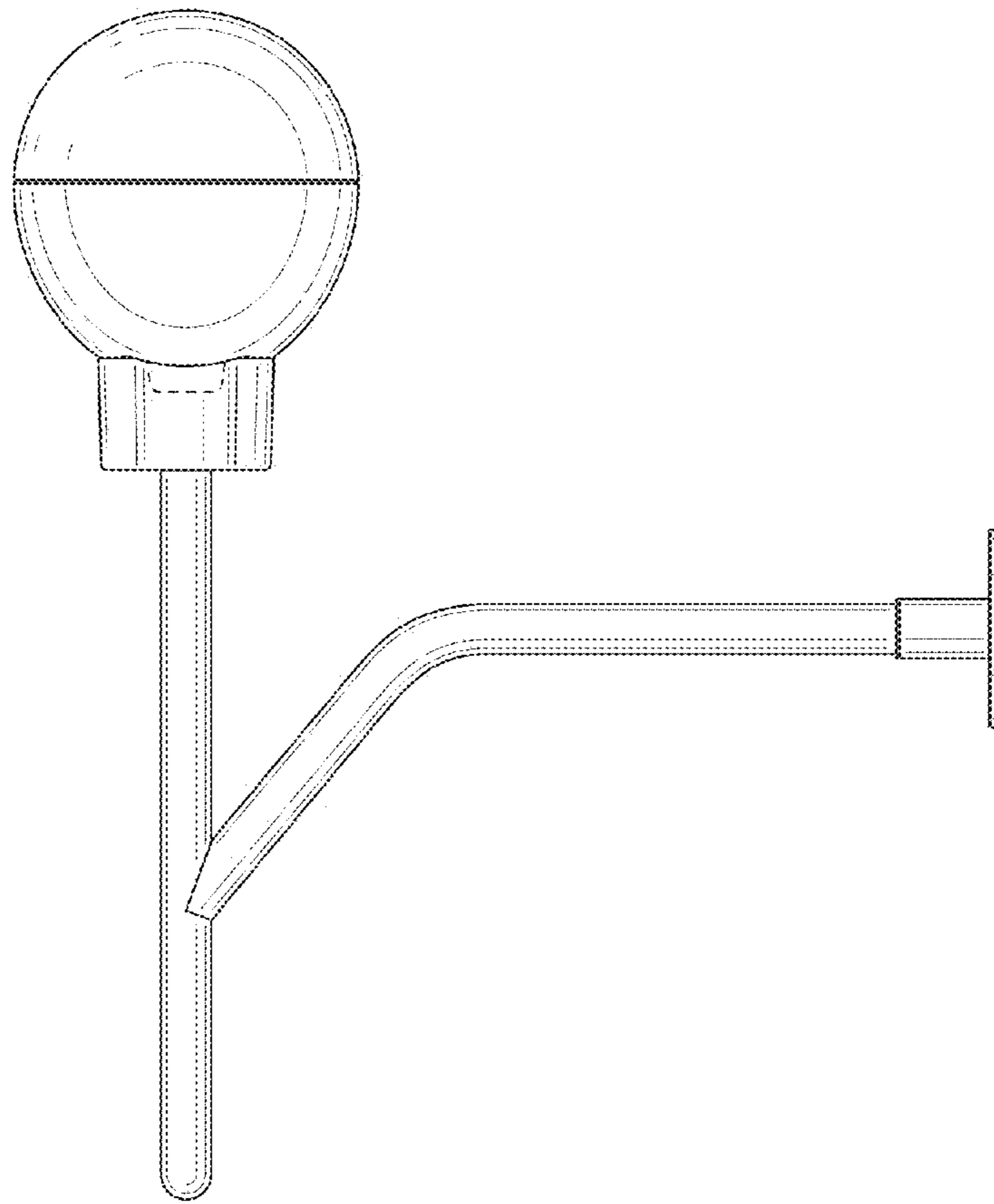


FIG. 2

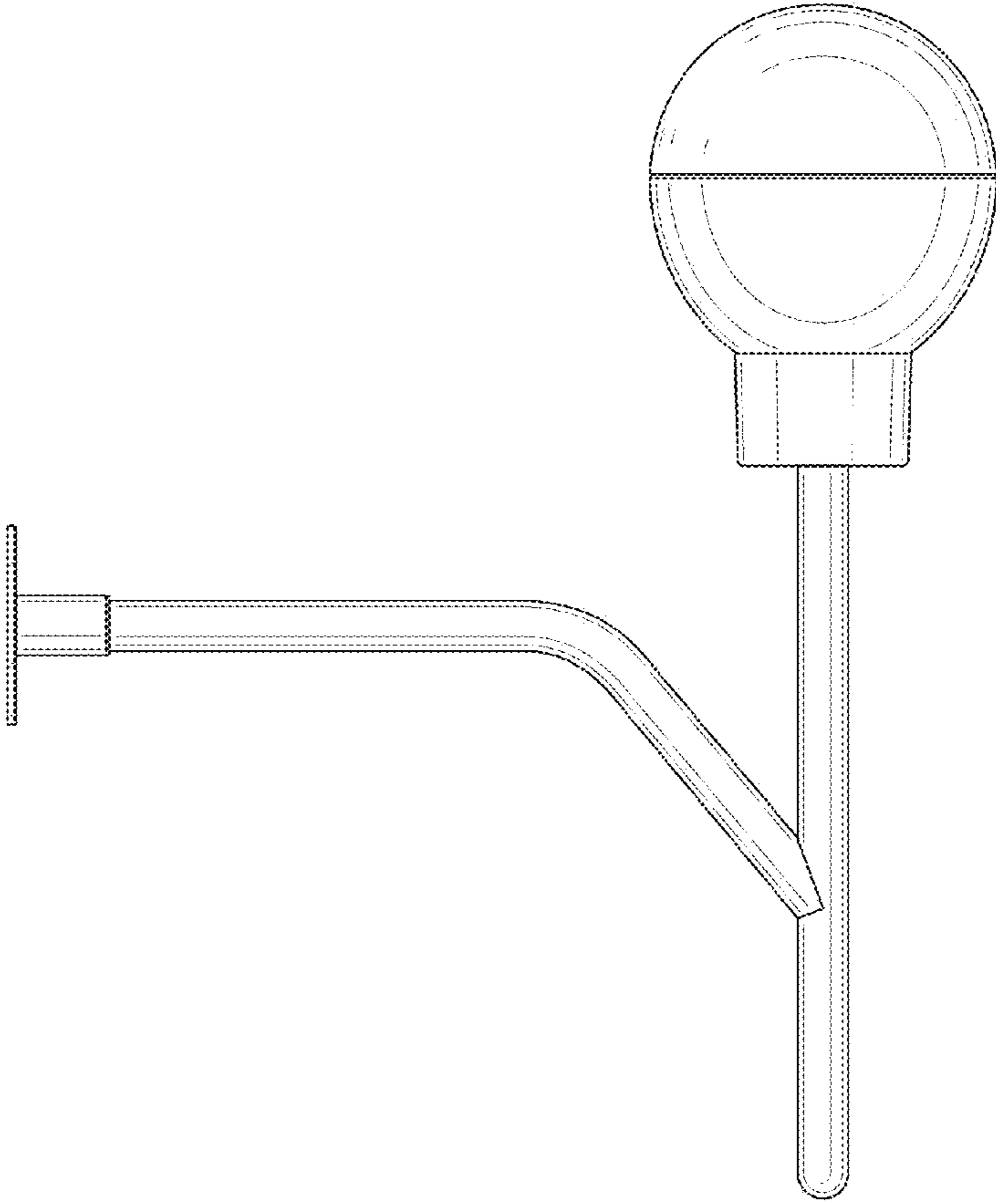


FIG. 3

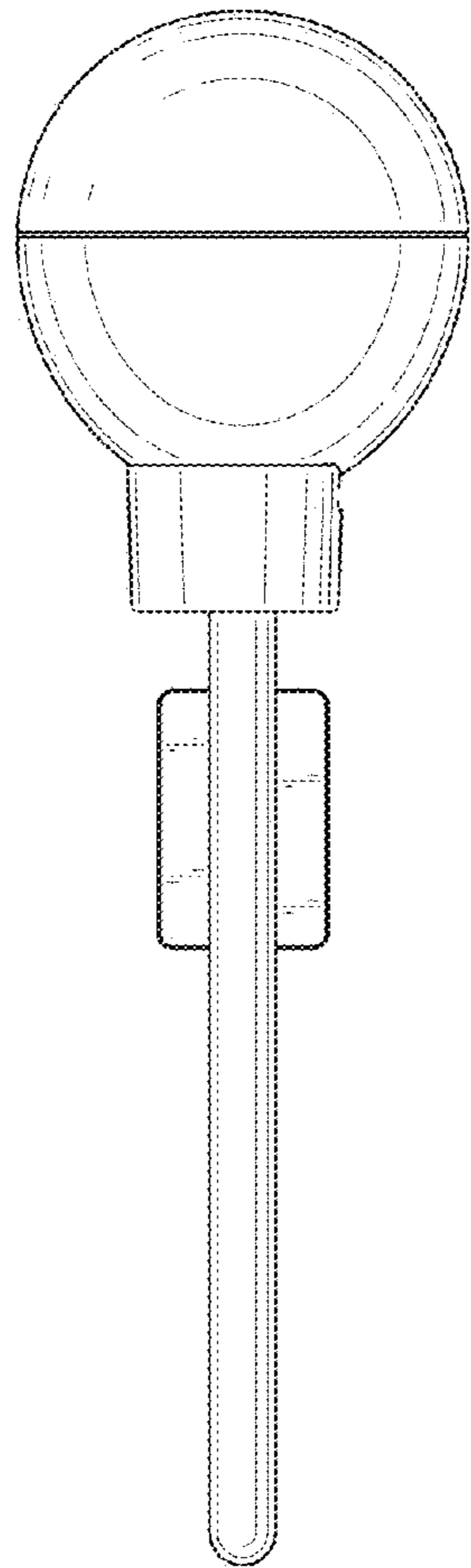


FIG. 4

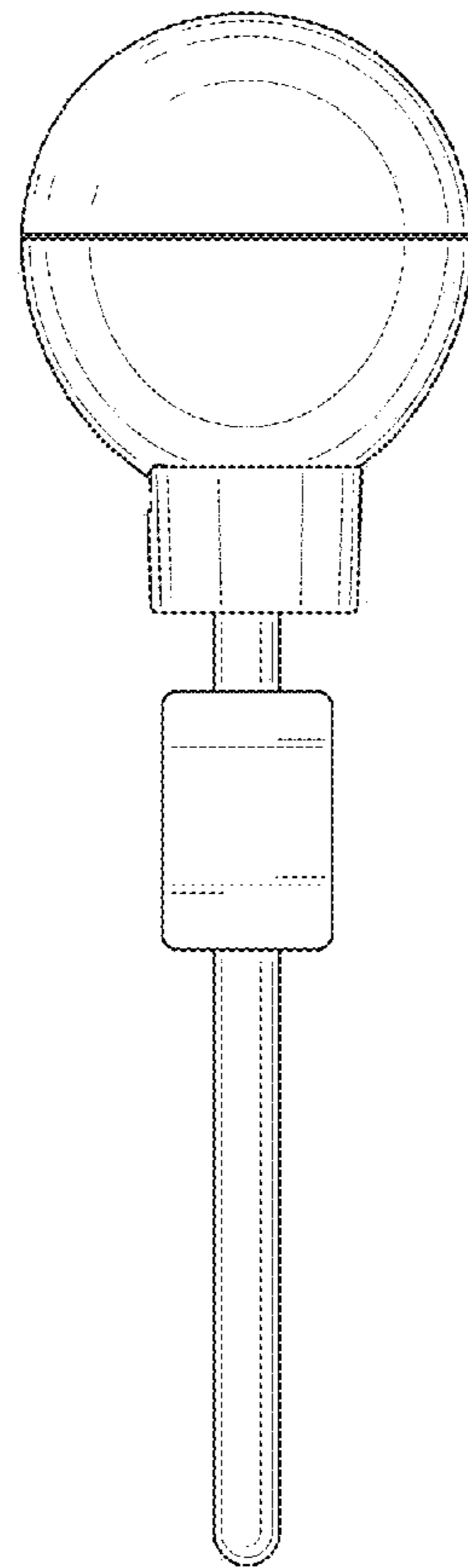


FIG. 5

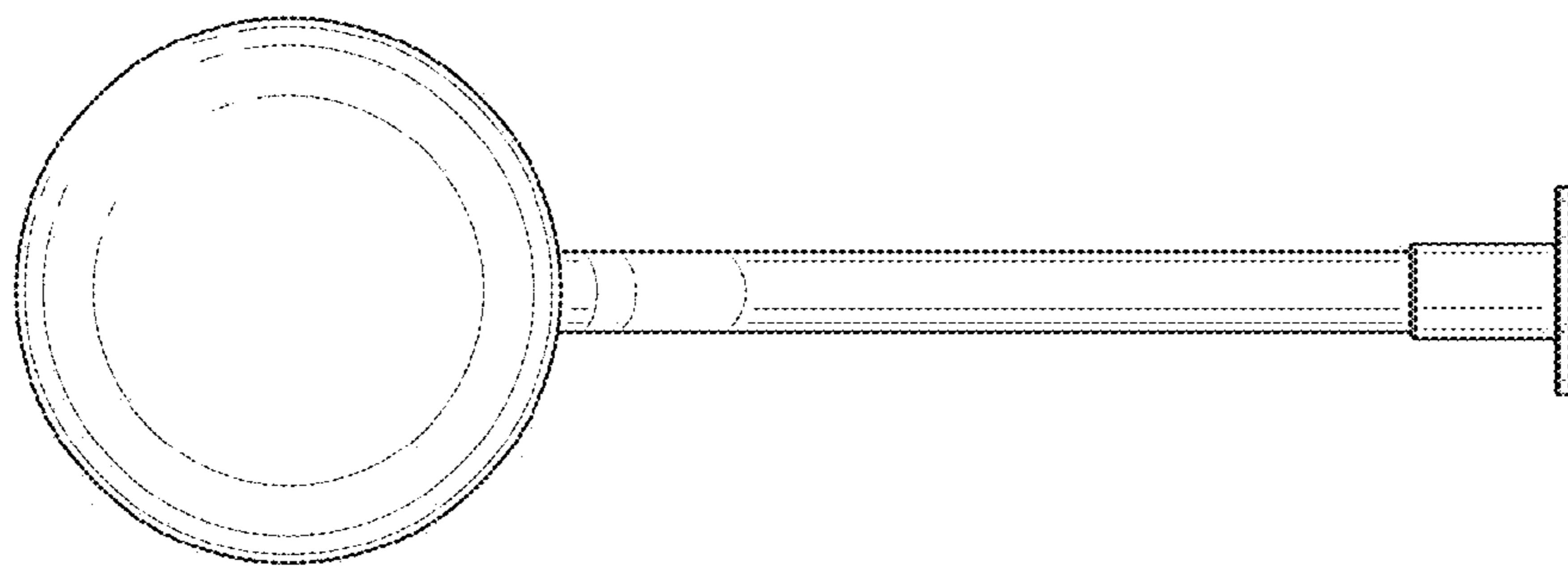


FIG. 6

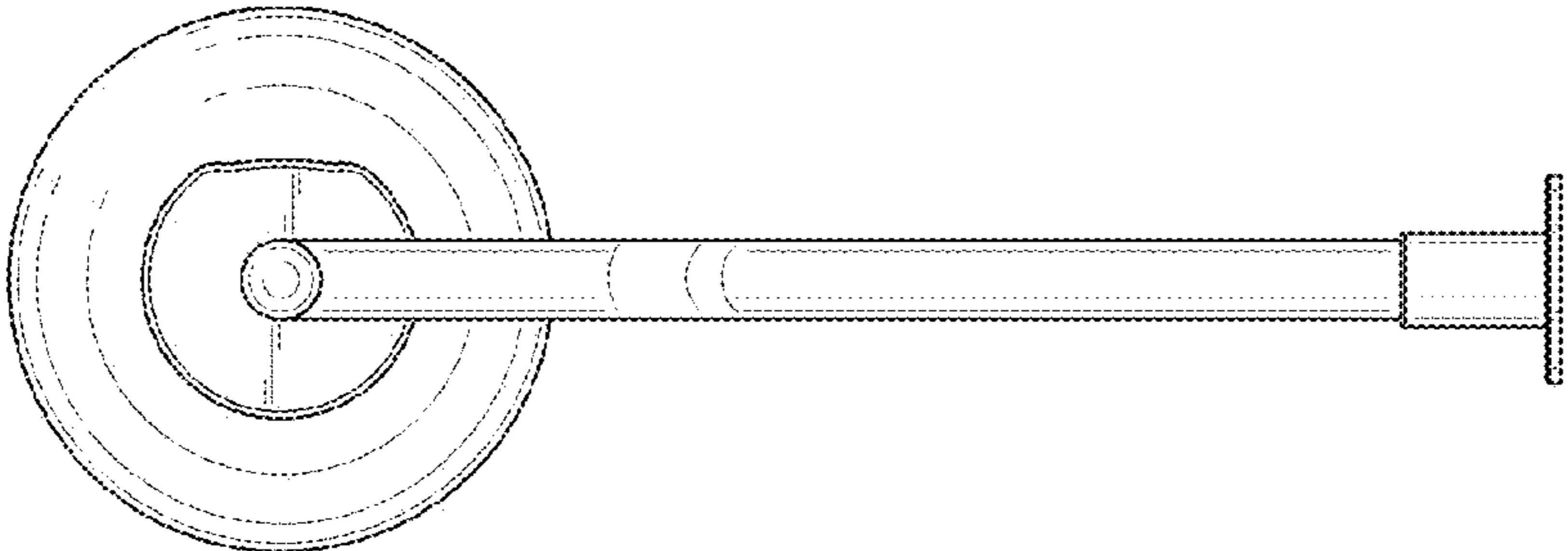


FIG. 7