



US00D741842S

(12) **United States Design Patent**
Levine

(10) **Patent No.:** **US D741,842 S**
(45) **Date of Patent:** **** Oct. 27, 2015**

- (54) **MICROPHONE ACCESSORY**
- (71) Applicant: **New Audio LLC**, New York, NY (US)
- (72) Inventor: **Jonathan E. Levine**, New York, NY (US)
- (73) Assignee: **New Audio LLC**, New York, NY (US)
- (**) Term: **14 Years**
- (21) Appl. No.: **29/495,943**
- (22) Filed: **Jul. 7, 2014**
- (51) **LOC (10) Cl.** **14-01**
- (52) **U.S. Cl.**
USPC **D14/226**
- (58) **Field of Classification Search**
USPC D14/204–206, 209.1, 217, 225–229,
D14/299; 181/20, 151; 379/430, 431, 454;
381/355, 361, 362, 363, 367; 455/95,
455/128
See application file for complete search history.

- D533,166 S * 12/2006 Marquez D14/225
- D617,781 S * 6/2010 Kallas et al. D14/226
- D657,218 S * 4/2012 Wilder D8/51
- D715,273 S * 10/2014 Holmen D14/229

* cited by examiner

Primary Examiner — Susan Bennett Hattan

Assistant Examiner — Leanne Was

(74) *Attorney, Agent, or Firm* — Perkins Coie LLP

(57) **CLAIM**

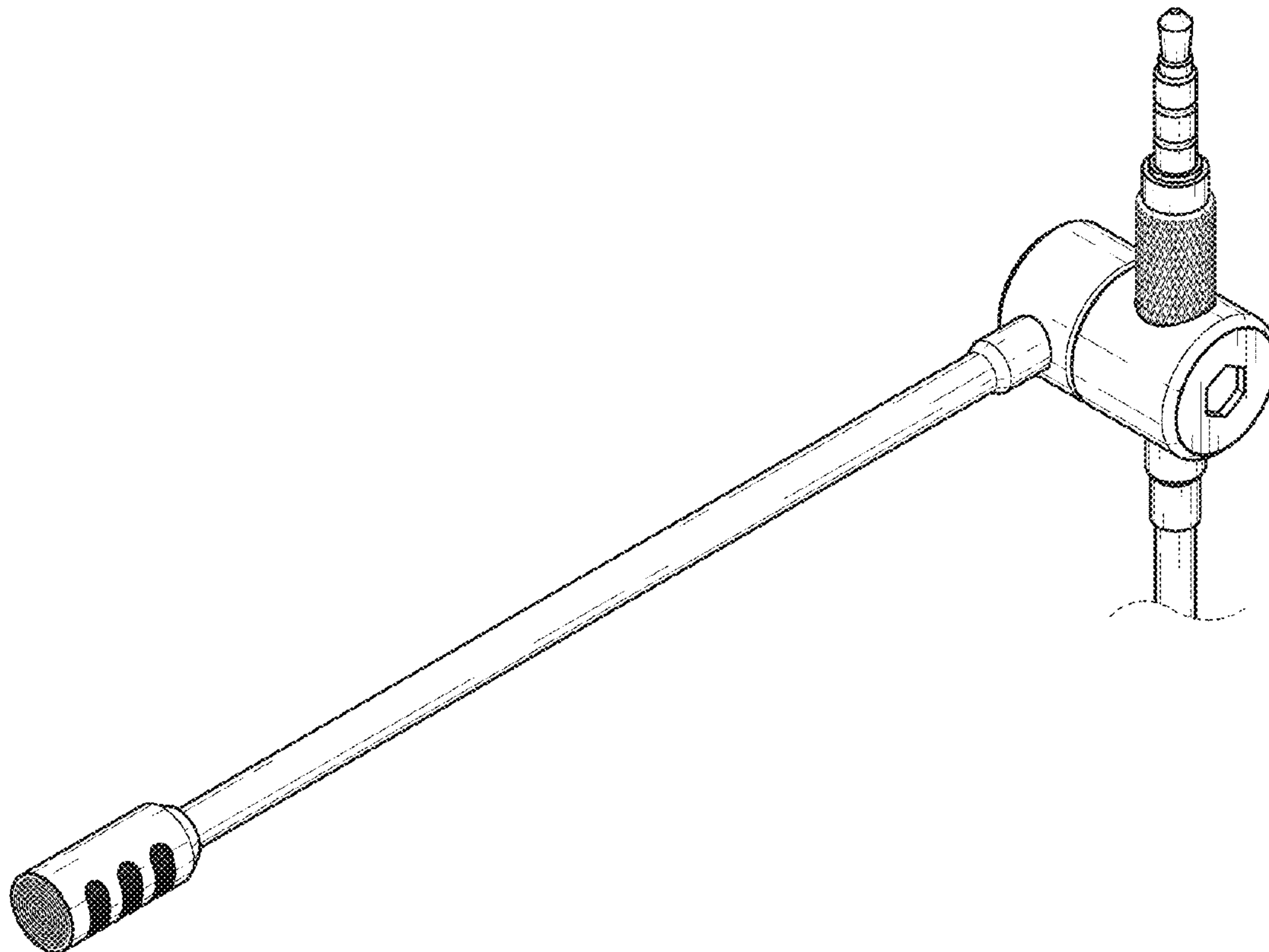
The ornamental design for a microphone accessory, as shown and described.

DESCRIPTION

FIG. 1 is a perspective view of a microphone accessory showing my new design, as viewed from the top and front.
 FIG. 2 is a front profile view of FIG. 1.
 FIG. 3 is a back profile view of FIG. 1.
 FIG. 4 is a first side profile view of FIG. 1.
 FIG. 5 is a second side profile view of FIG. 1.
 FIG. 6 is a plan view of FIG. 1; and,
 FIG. 7 is an inverse plan view of FIG. 1.
 The broken lines depict the limits of the claim and form no part of the claimed design.

1 Claim, 3 Drawing Sheets

- (56) **References Cited**
U.S. PATENT DOCUMENTS
6,625,293 B1 * 9/2003 Nageno et al. 381/362
D508,691 S * 8/2005 Meyer et al. D14/228



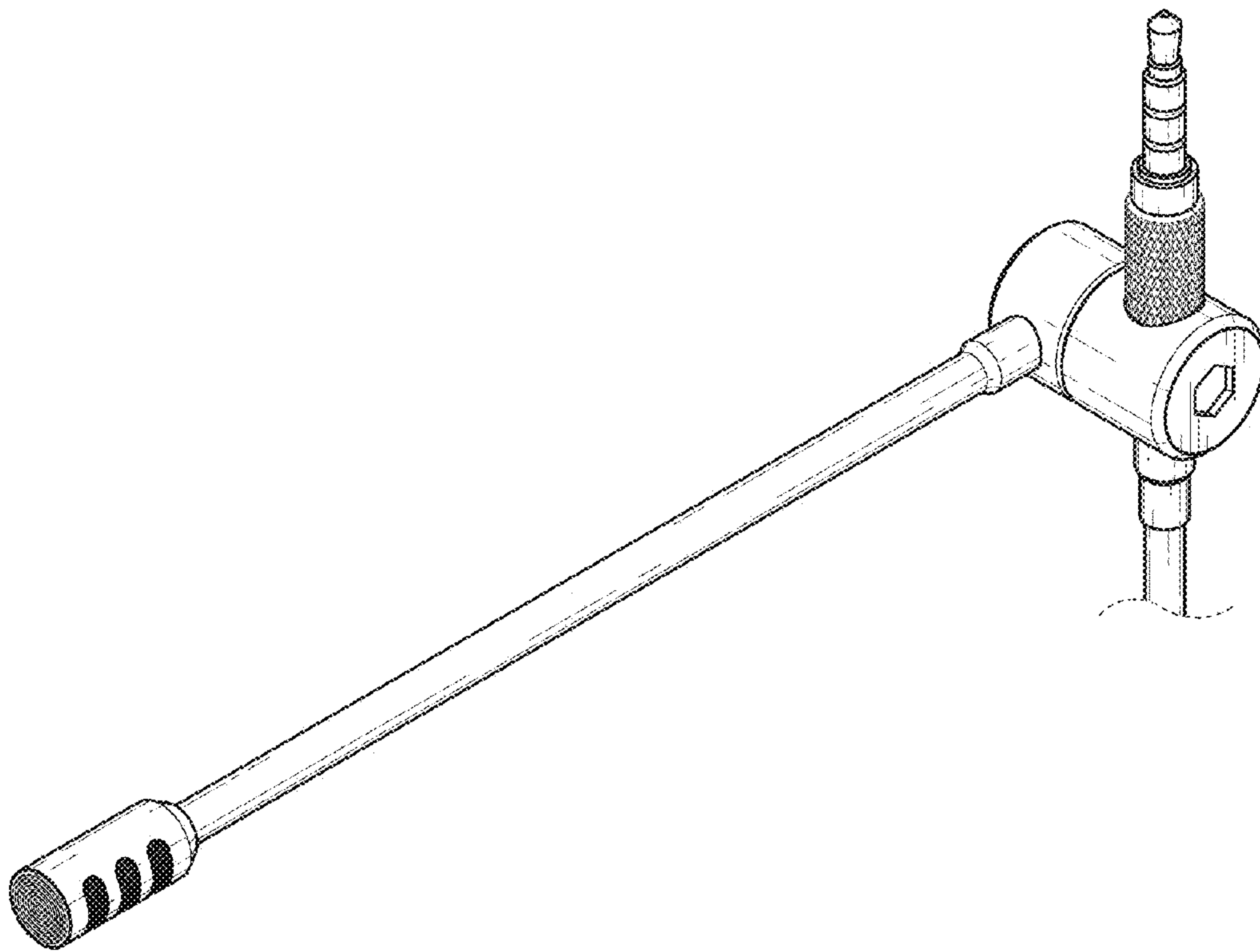


Fig. 1

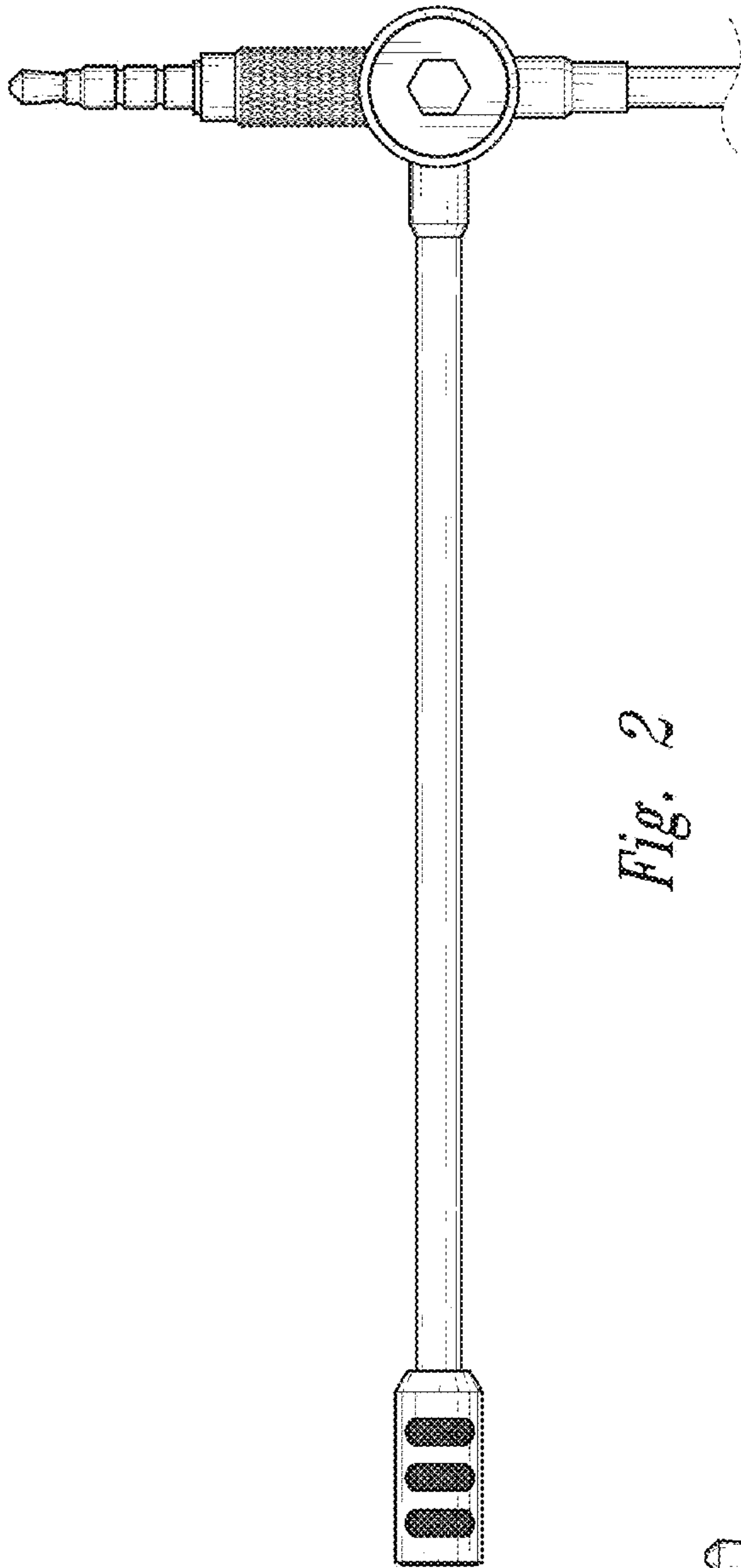


Fig. 2

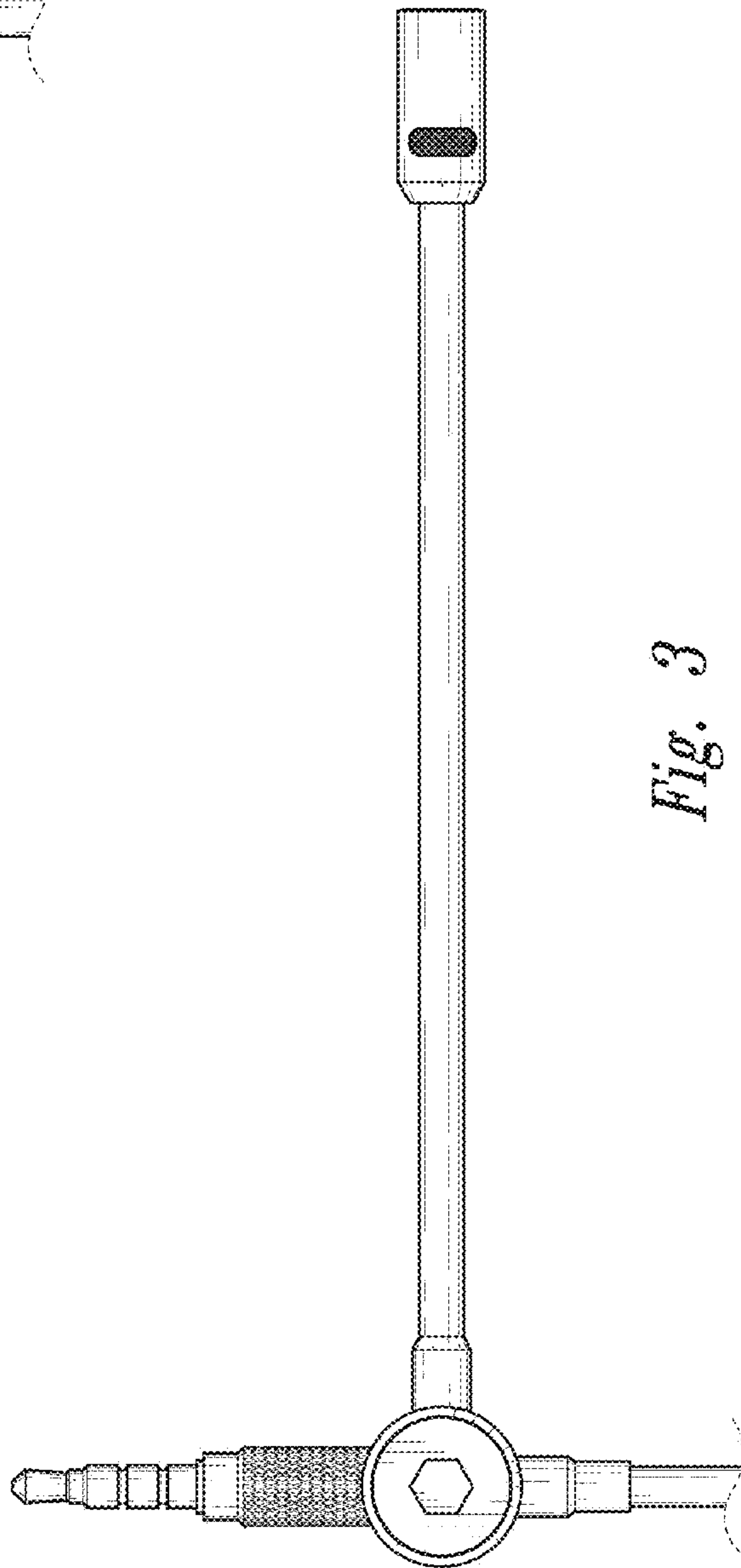


Fig. 3

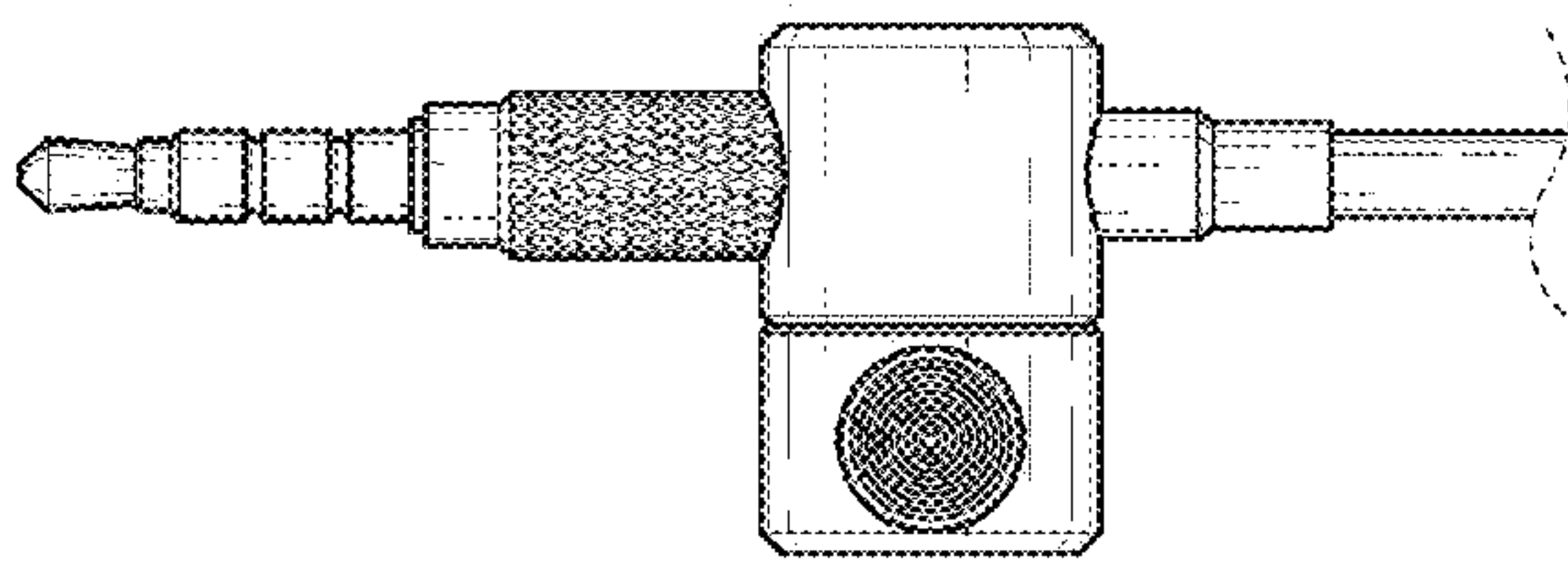


Fig. 4

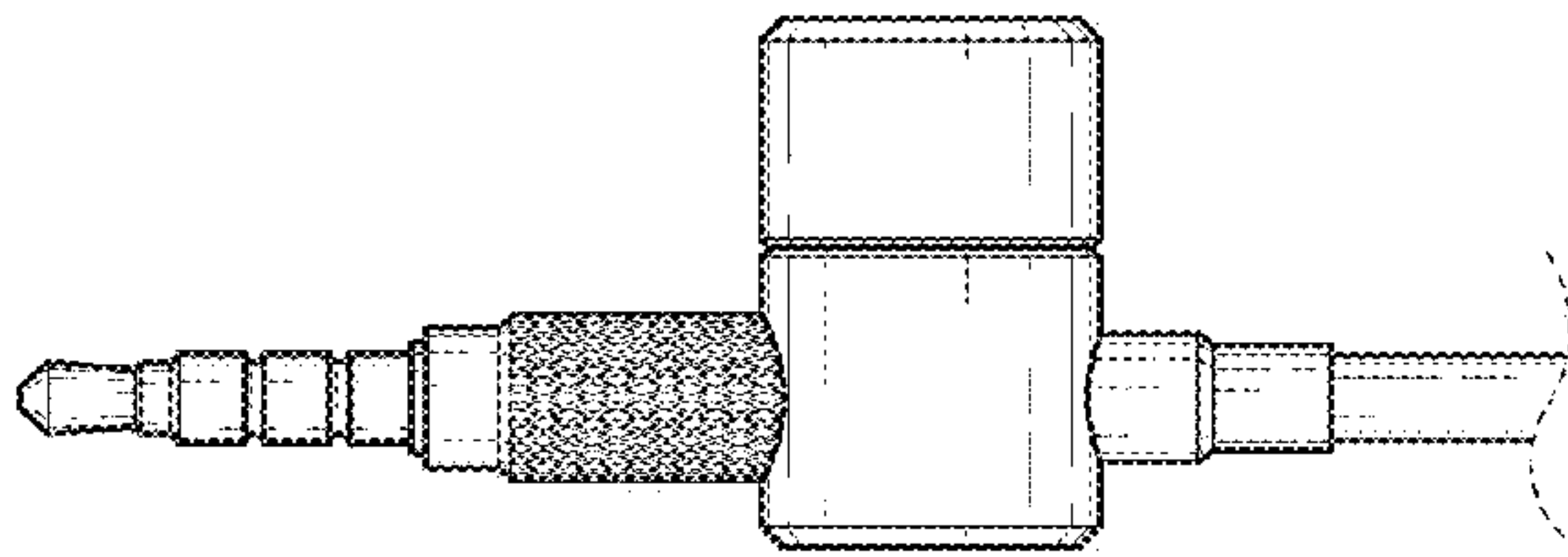


Fig. 5

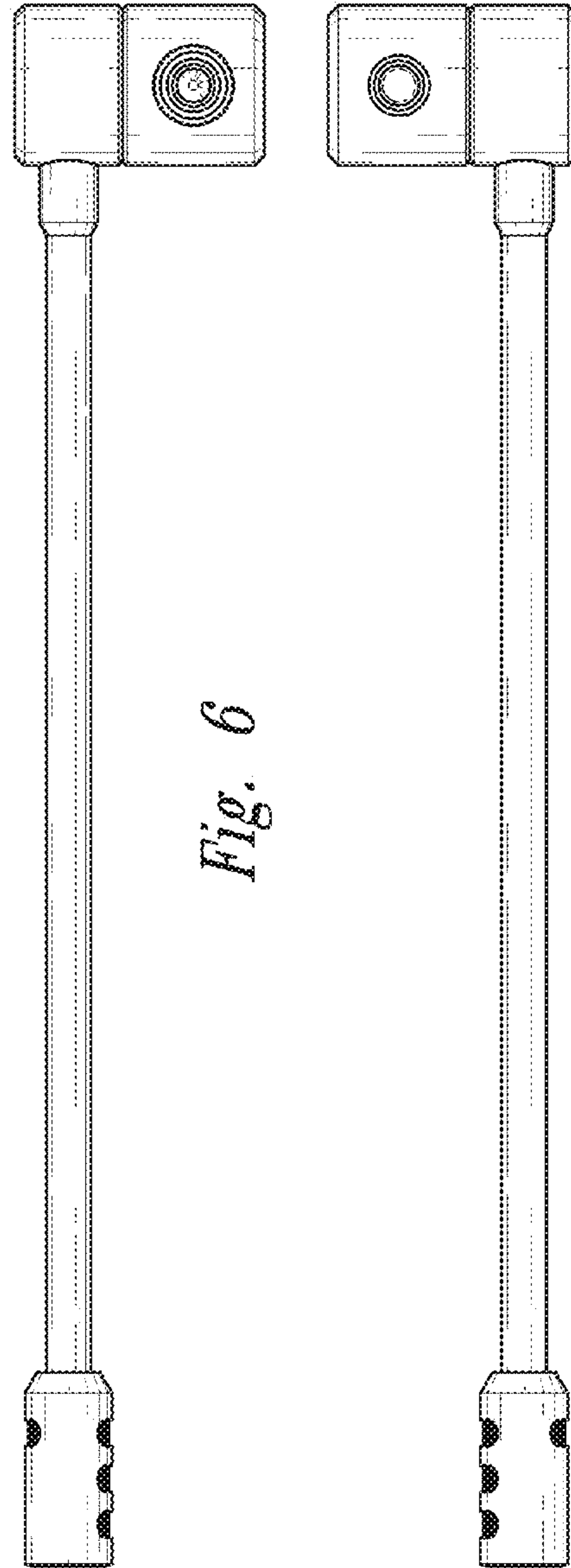


Fig. 6

Fig. 7