



US00D741841S

(12) **United States Design Patent**  
**Fuller**

(10) **Patent No.:** **US D741,841 S**

(45) **Date of Patent:** **\*\* \*Oct. 27, 2015**

(54) **AUDIO SPEAKER FRAME**

(71) Applicant: **Jacob Aaron Fuller**, Troutman, NC  
(US)

(72) Inventor: **Jacob Aaron Fuller**, Troutman, NC  
(US)

(\* ) Notice: This patent is subject to a terminal disclaimer.

(\*\*) Term: **14 Years**

(21) Appl. No.: **29/493,022**

(22) Filed: **Jun. 5, 2014**

(51) **LOC (10) Cl.** ..... **14-01**

(52) **U.S. Cl.**  
USPC ..... **D14/224**

(58) **Field of Classification Search**  
USPC ..... D14/224, 221, 219, 216, 222; 381/403,  
381/411, 420, 423, 433  
CPC ..... H04R 11/02  
See application file for complete search history.

(56) **References Cited**

**U.S. PATENT DOCUMENTS**

1,905,702	A *	4/1933	Hardisty	.....	381/403
1,991,526	A *	2/1935	Tichenor et al.	.....	381/411
1,991,738	A *	2/1935	Gaubert et al.	.....	381/420
2,532,414	A *	12/1950	Levy	.....	381/404
2,638,509	A *	5/1953	Charlesworth	.....	381/386
3,356,796	A *	12/1967	Wray	.....	381/433
D239,538	S *	4/1976	Wagner	.....	D14/216
D270,533	S *	9/1983	Piercy	.....	D14/224
D282,065	S *	1/1986	Piercy	.....	D14/224
D318,671	S *	7/1991	Naumann	.....	D14/224

D393,641	S *	4/1998	Hai-Fu	.....	D14/216
D400,884	S *	11/1998	Christie, II	.....	D14/216
D451,087	S *	11/2001	Moro et al.	.....	D14/221
D451,499	S *	12/2001	Stompler et al.	.....	D14/224
D451,908	S *	12/2001	Mackie et al.	.....	D14/224
D451,909	S *	12/2001	Mackie et al.	.....	D14/224
D455,733	S *	4/2002	Stompler et al.	.....	D14/224
D472,232	S *	3/2003	Stompler et al.	.....	D14/224
D478,572	S *	8/2003	Dawson	.....	D14/219
D483,743	S *	12/2003	Vosse	.....	D14/224
6,738,490	B2 *	5/2004	Brandt	.....	381/421
7,164,777	B1 *	1/2007	Stompler	.....	381/433
7,218,748	B1 *	5/2007	Stompler	.....	381/392
D544,857	S *	6/2007	Milne	.....	D14/224
8,175,321	B2 *	5/2012	Bryant et al.	.....	381/423
D691,595	S	10/2013	Fuller		
D691,596	S	10/2013	Fuller		
D691,597	S	10/2013	Fuller		
D691,598	S	10/2013	Fuller		

\* cited by examiner

*Primary Examiner* — Paula A. Greene

(74) *Attorney, Agent, or Firm* — Clements Bernard PLLC;  
Seth L. Hudson

(57) **CLAIM**

The ornamental design for an audio speaker frame, as shown and described.

**DESCRIPTION**

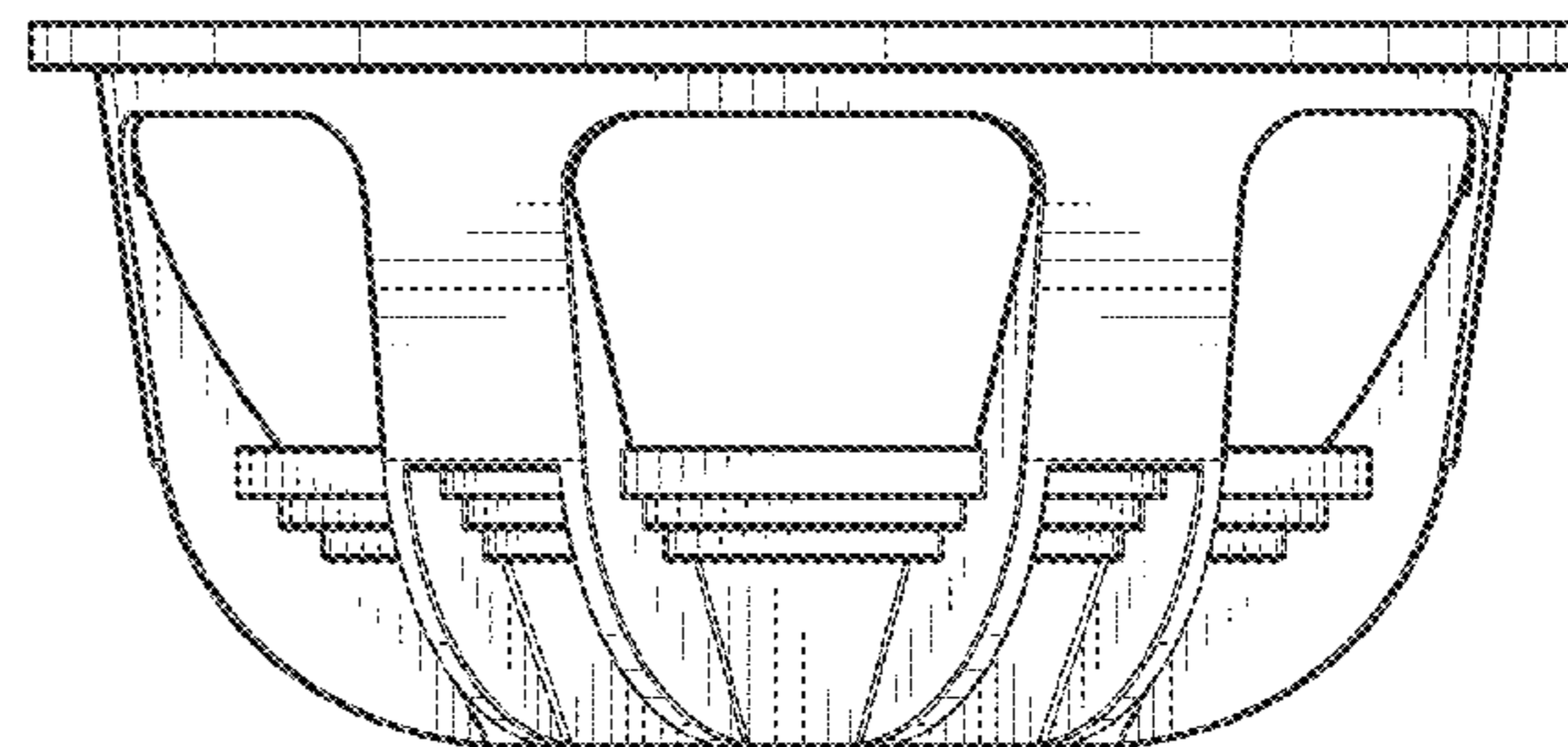
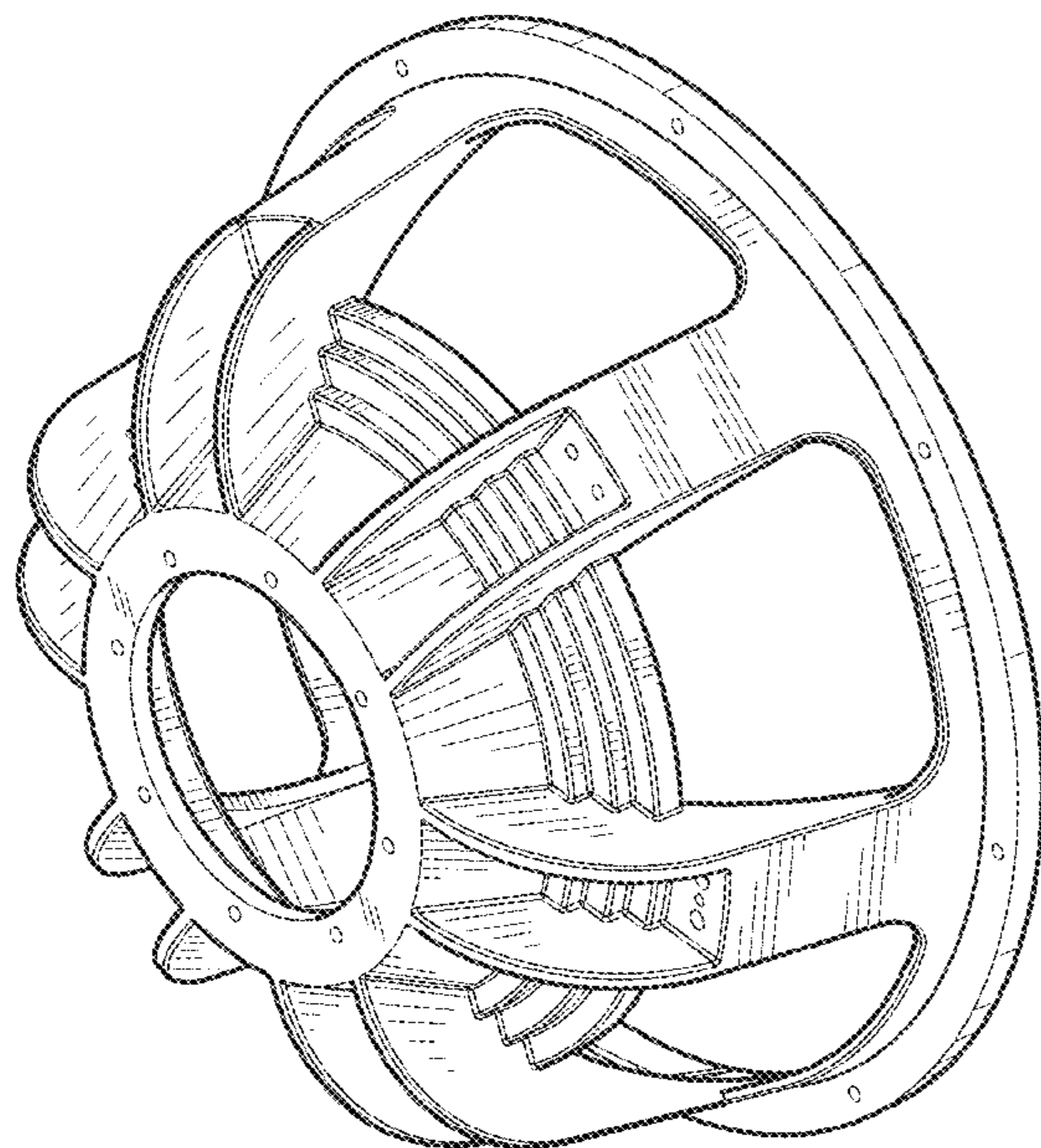
FIG. 1 is a rear perspective view of an audio speaker frame showing my new design;

FIG. 2 is a front view of the audio speaker frame showing the inner concave portion in the front of the speaker;

FIG. 3 is a back view of the audio speaker frame showing the rear convex portion; and,

FIG. 4 is a side view.

**1 Claim, 4 Drawing Sheets**



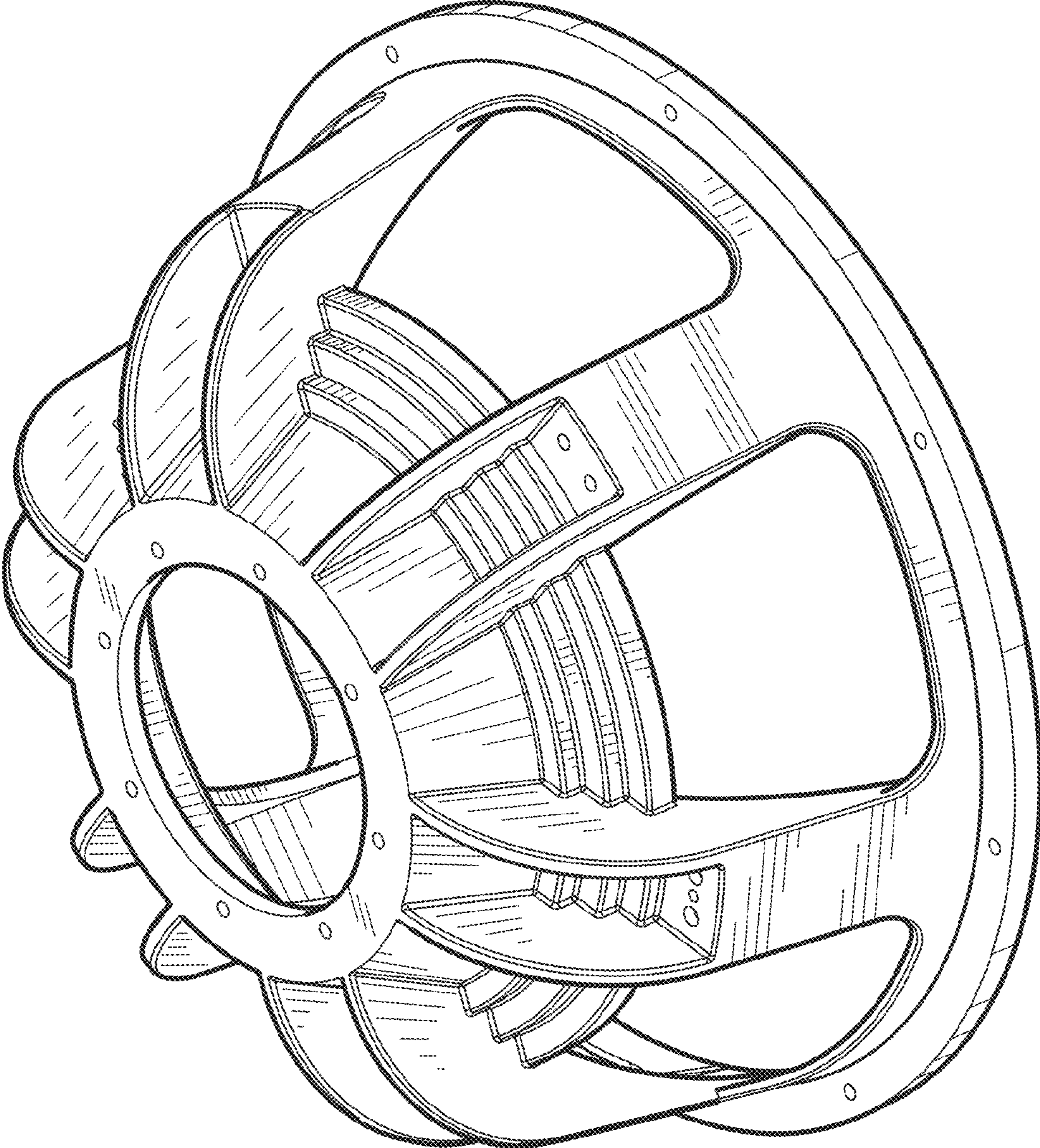


Fig. 1

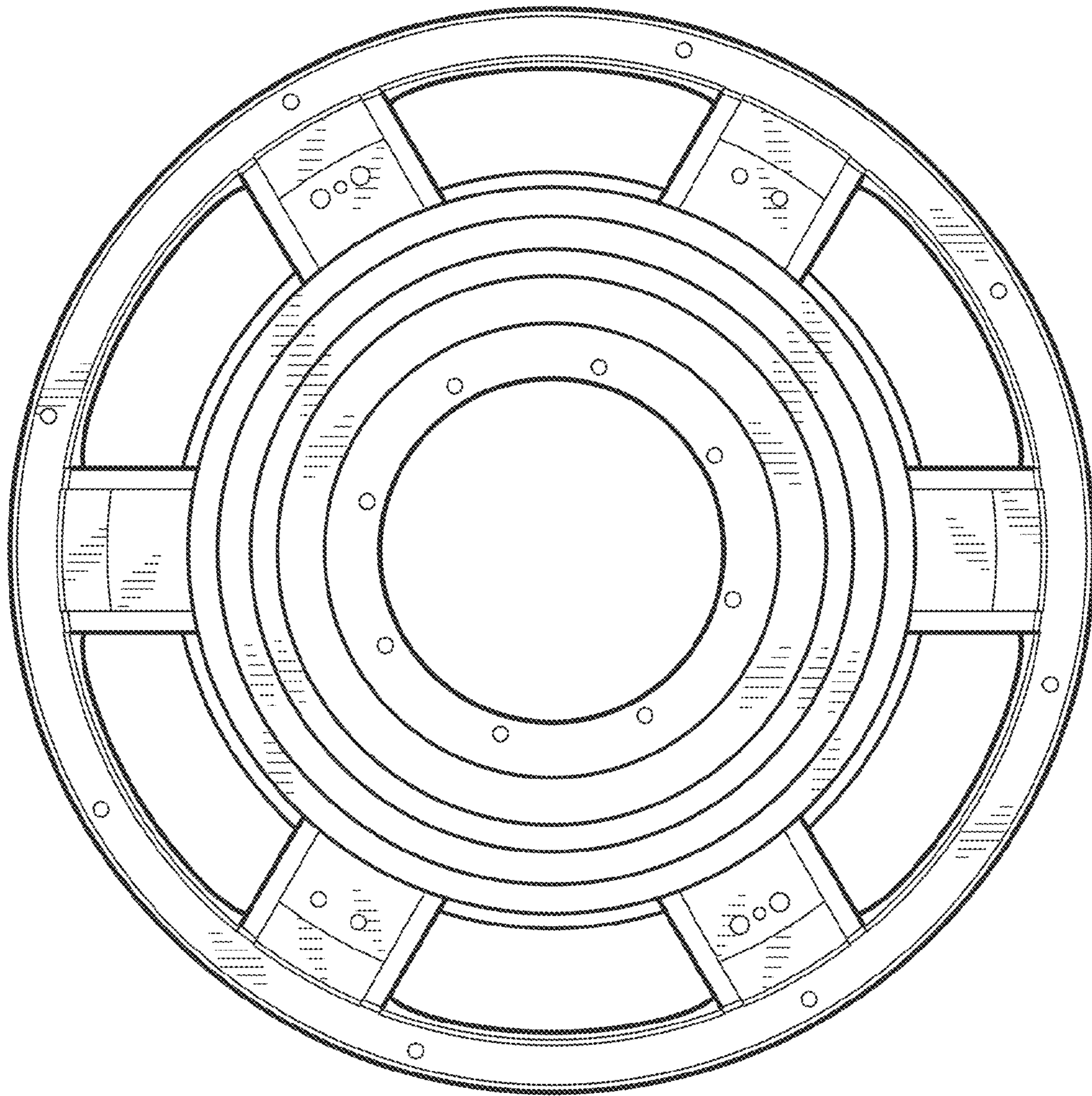


Fig. 2

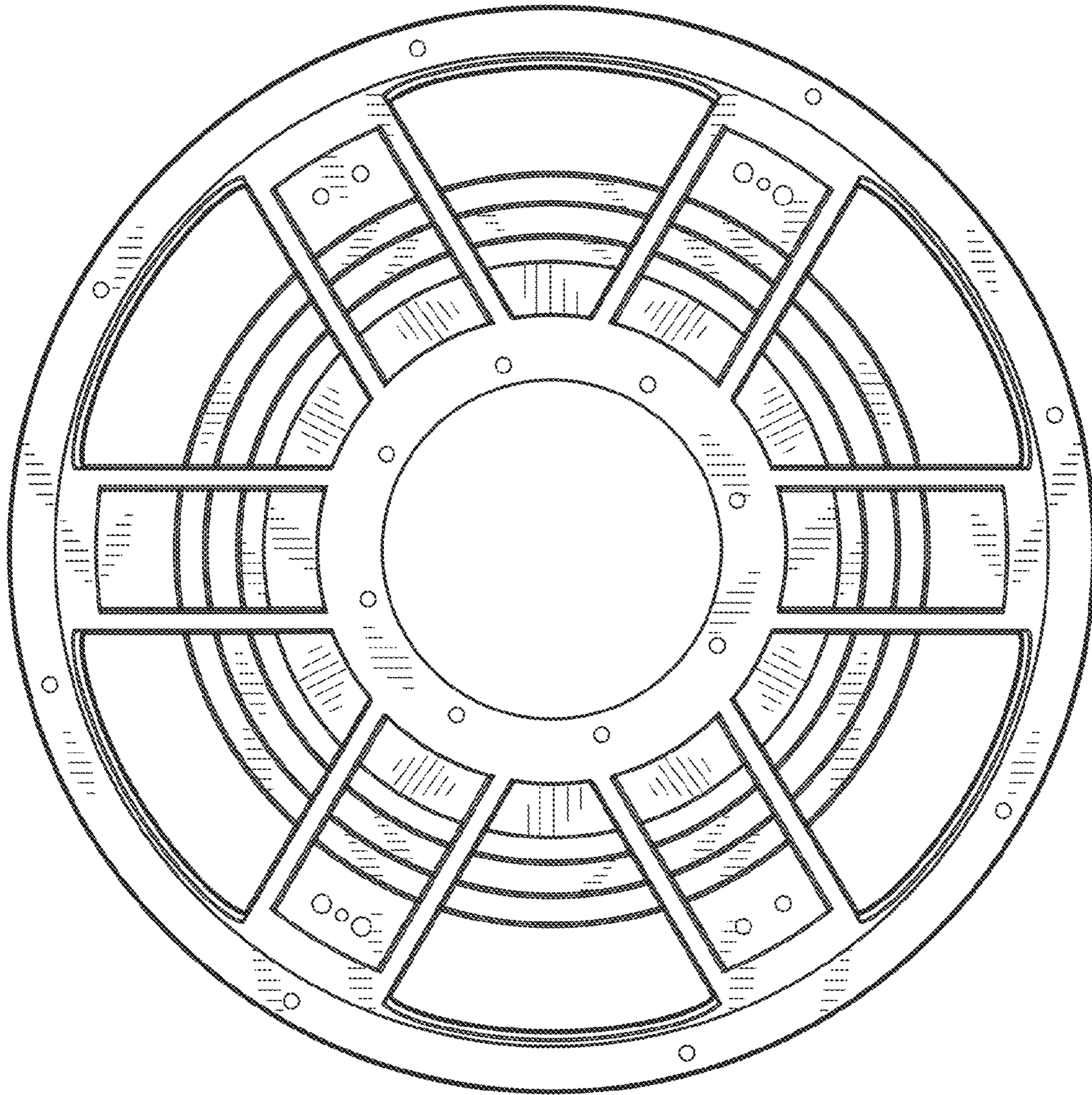


Fig. 3

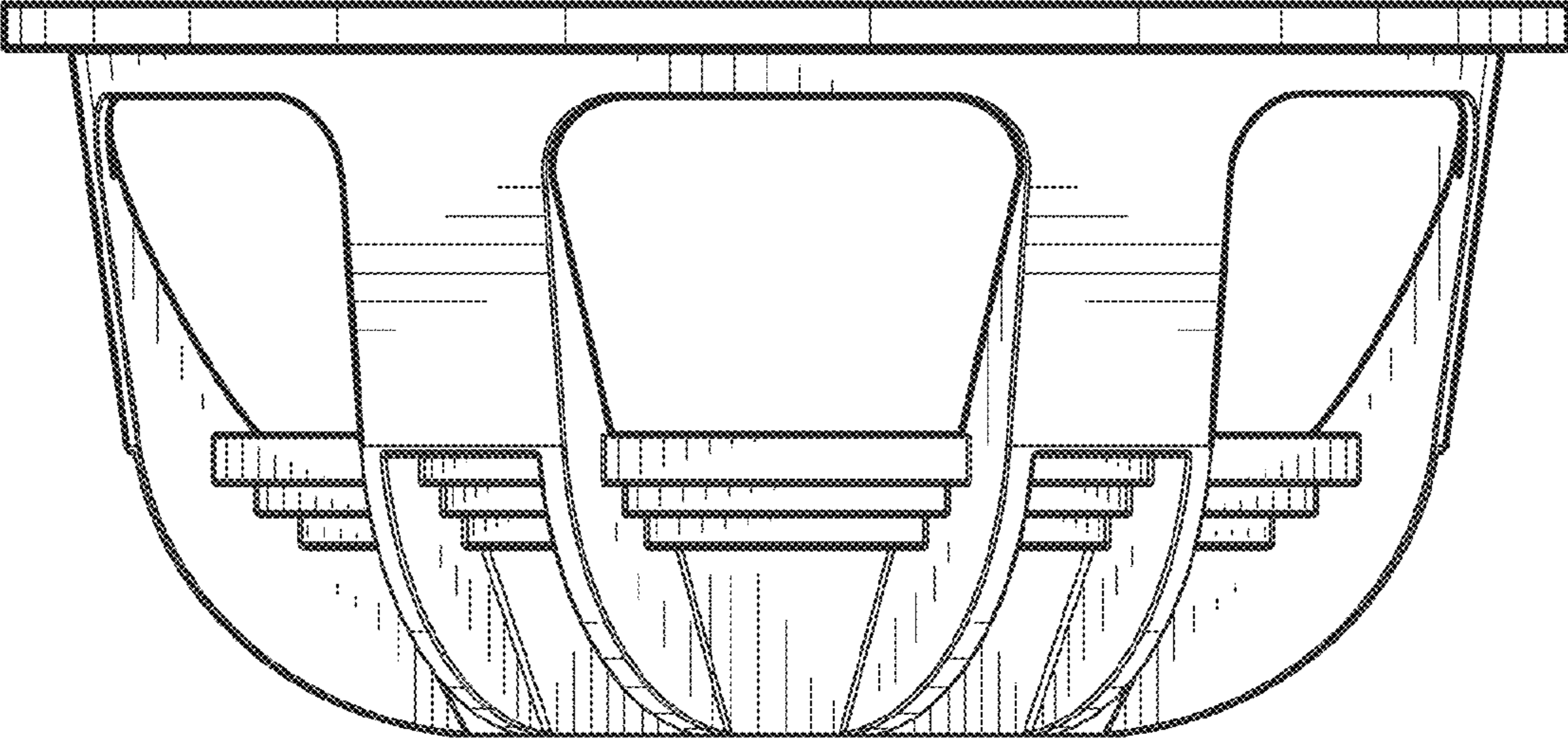


Fig. 4