



US00D741840S

(12) **United States Design Patent**
Morrison

(10) **Patent No.:** **US D741,840 S**
(45) **Date of Patent:** **** Oct. 27, 2015**

(54) **SPEAKER STAND**

(71) Applicant: **D Morrison Consulting Inc.**, Markham (CA)

(72) Inventor: **David Morrison**, Markham (CA)

(73) Assignee: **D Morrison Consulting Inc.**, Markham, Ontario (CA)

(**) Term: **14 Years**

(21) Appl. No.: **29/482,645**

(22) Filed: **Feb. 20, 2014**

(51) **LOC (10) Cl.** **14-03**

(52) **U.S. Cl.**
USPC **D14/224; D6/675**

(58) **Field of Classification Search**
USPC D14/217, 224, 238, 251; 181/129, 130, 181/135; 381/370, 371, 380, 381; 379/430, 379/431; 455/90.3, 575.1; D6/329, D6/675-675.2, 675.5; 211/27, 40, 175, 211/207

CPC B60R 11/0217; G06F 1/1688; H04M 1/03; H04M 1/035; H04N 5/642; H04N 21/4852; H04R 1/02; H04R 1/06; H04R 1/021; H04R 1/025; H04R 1/026; H04R 1/028; H04R 1/105; H04R 1/323; H04R 1/403; H04R 1/2803; H04R 1/2834; H04R 5/02; H04R 7/20; H04R 9/06; H04R 9/025; H04R 2201/021; H04R 2400/00; H04R 2400/07; H04R 2499/11; H04R 2499/13; H04R 2499/15; H04S 3/00; H04S 7/30; A47B 57/00; A47B 63/00; A47B 63/065

See application file for complete search history.

(56) **References Cited**

U.S. PATENT DOCUMENTS

758,571 A 3/1905 Raines et al.
1,273,939 A 7/1918 Sidel
2,933,850 A 4/1960 Martin

2,947,587 A 8/1960 Navellier
2,956,368 A 10/1960 Klein
4,011,821 A 3/1977 Neal
D247,035 S * 1/1978 Brodmann D14/224
4,493,471 A 1/1985 McInnis
D286,149 S * 10/1986 Tucker D14/224
D290,254 S * 6/1987 Arevalo D14/224
D290,953 S * 7/1987 Sklaar et al. D14/211
4,687,173 A 8/1987 Genna
4,948,076 A 8/1990 Sumrell et al.

(Continued)

Primary Examiner — Keli L Hill

(74) *Attorney, Agent, or Firm* — Sand & Sebolt

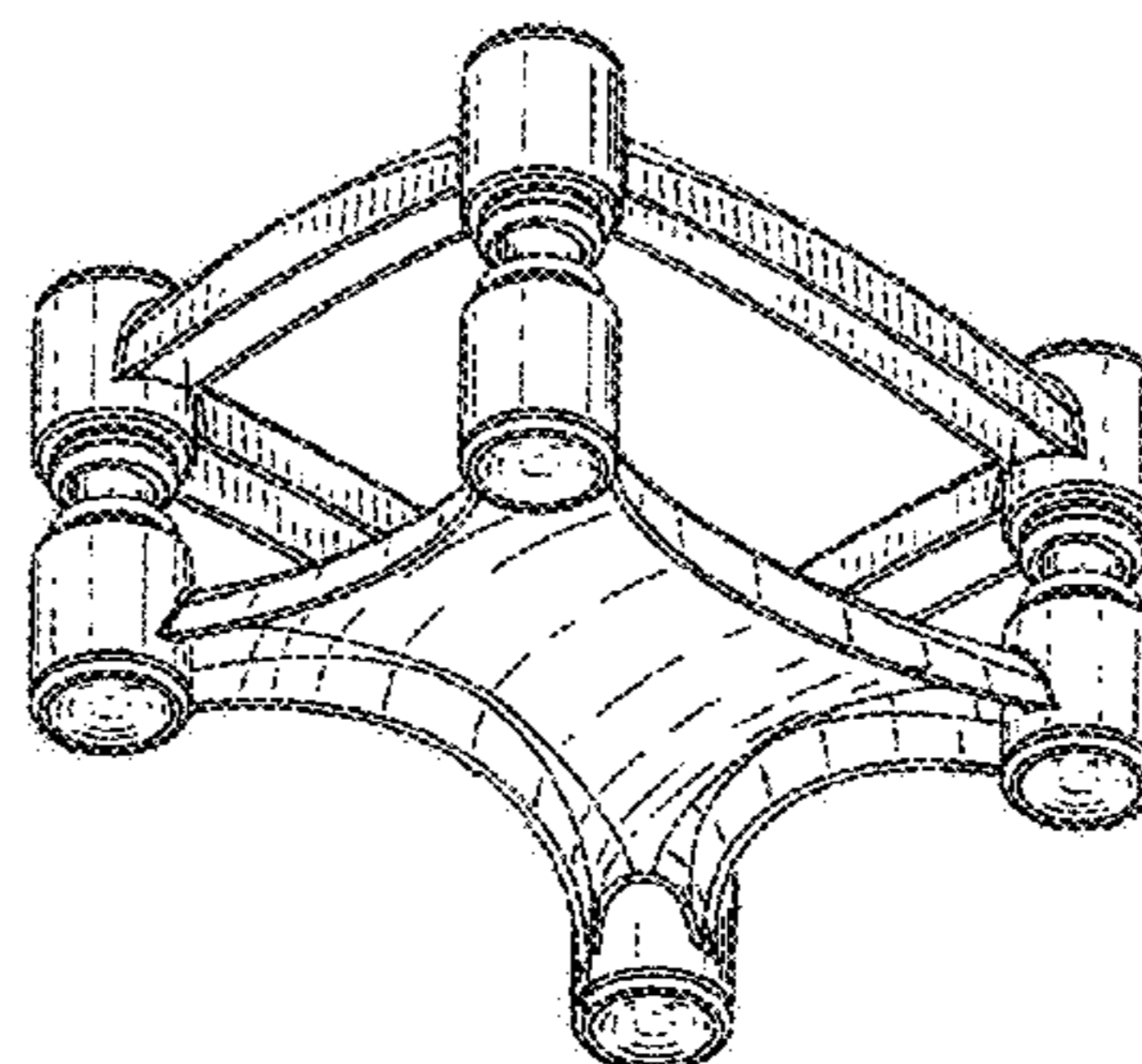
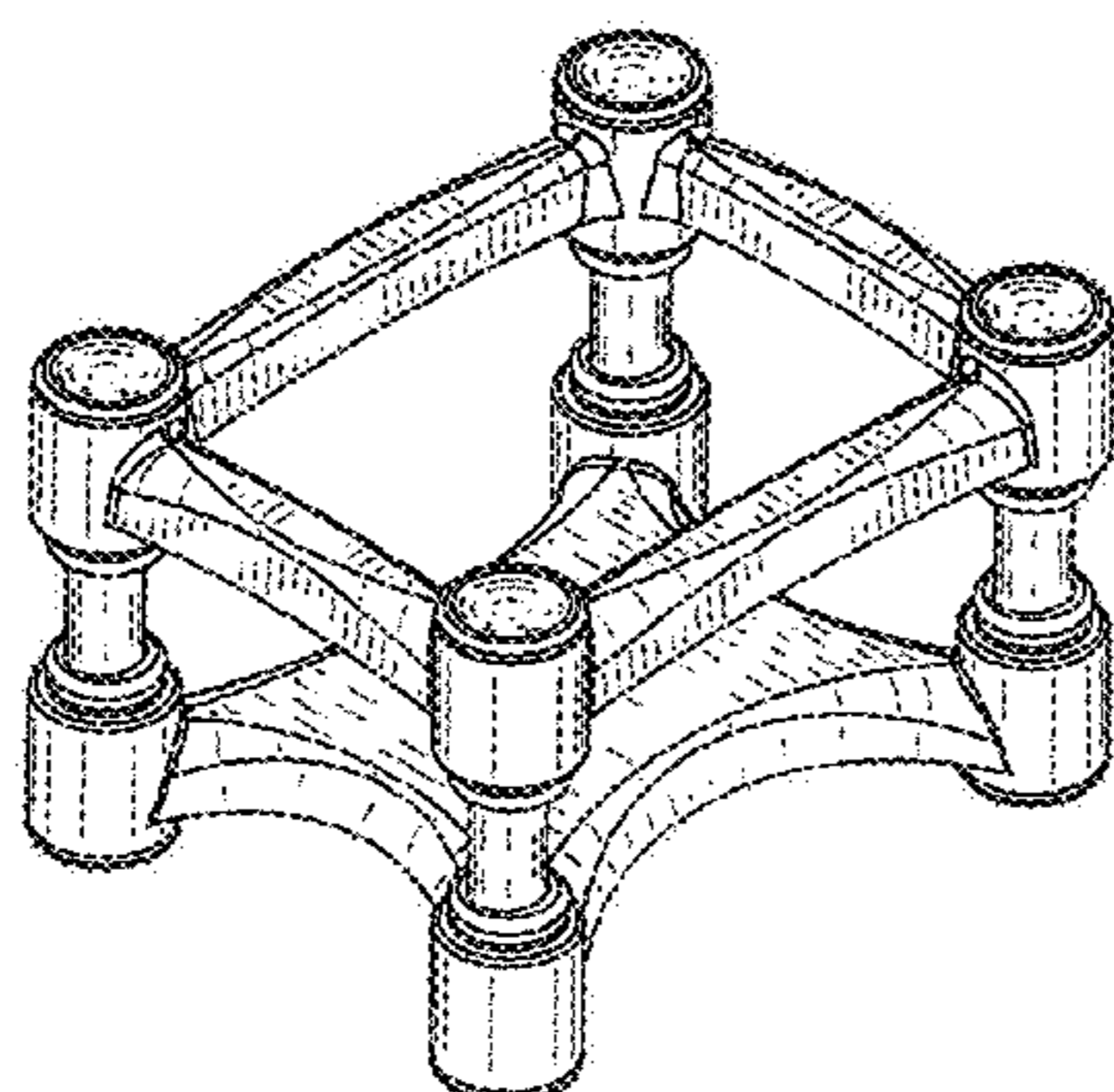
(57) **CLAIM**

The ornamental design for the speaker stand, as shown and described.

DESCRIPTION

FIG. 1 is a top perspective view of a first embodiment of the speaker stand in accordance with my design;
FIG. 2 is a bottom perspective view of the first embodiment of the speaker stand in accordance with my design;
FIG. 3 is a top perspective view of a second embodiment of the speaker stand in accordance with my design;
FIG. 4 is a bottom perspective view of the second embodiment of the speaker stand in accordance with my design;
FIG. 5 is a top plan view of the first and second embodiments of the speaker stand in accordance with my design;
FIG. 6 is a bottom plan view of the first and second embodiments of the speaker stand in accordance with my design;
FIG. 7 is a front elevation view of the first embodiment of the speaker stand in accordance with my design;
FIG. 8 is a side elevation view of the first embodiment of the speaker stand in accordance with my design;
FIG. 9 is a front elevation view of the second embodiment of the speaker stand in accordance with my design; and,
FIG. 10 is a side elevation view of the second embodiment of the speaker stand in accordance with my design.
The broken lines illustrate portions of the speaker stand which form no part of the claimed design.

1 Claim, 5 Drawing Sheets



(56)

References Cited

U.S. PATENT DOCUMENTS

5,169,104	A	12/1992	Kwoh				
5,570,867	A	11/1996	Norkus				
D401,424	S *	11/1998	Ogo et al.	D6/329			
5,881,653	A	3/1999	Pfister				
5,915,662	A	6/1999	Itakura et al.				
6,024,338	A	2/2000	Koike et al.				
6,155,530	A	12/2000	Borgen				
6,247,414	B1 *	6/2001	Sikora et al.	108/190			
6,296,238	B1	10/2001	Lund-Andersen				
6,357,717	B1	3/2002	Kennard, IV				
6,895,870	B1	5/2005	Bizlewicz				
6,976,434	B2	12/2005	Roig et al.				
D571,779	S *	6/2008	Matsuoka	D14/168			
D581,698	S *	12/2008	Fix	D14/224			
7,640,868	B2	1/2010	Morrison et al.				
8,215,245	B2	7/2012	Morrison et al.				
D723,308	S *	3/2015	Franck et al.	D6/675			
D730,089	S *	5/2015	Carbone	D6/675.1			

* cited by examiner

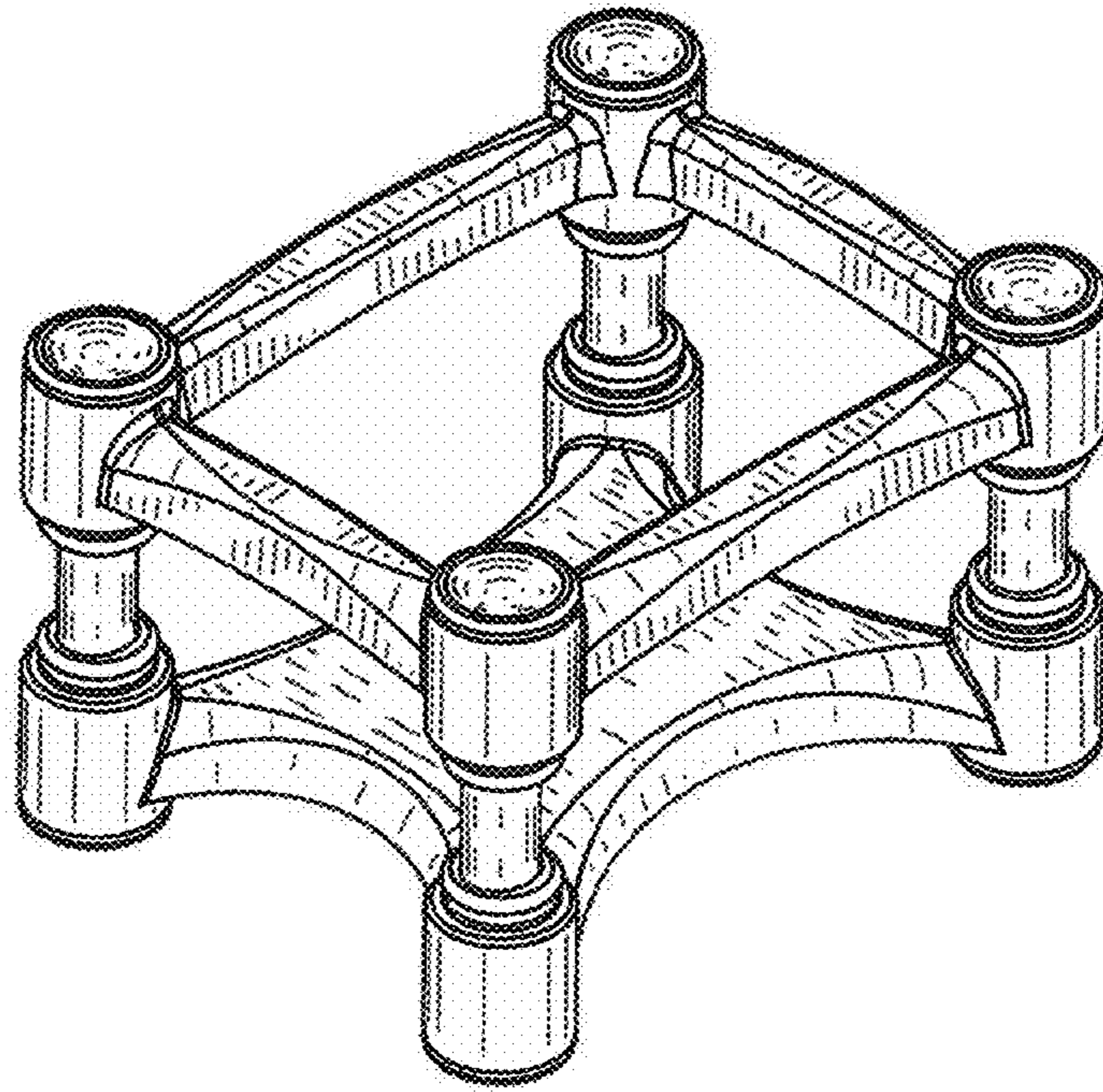


FIG. 01

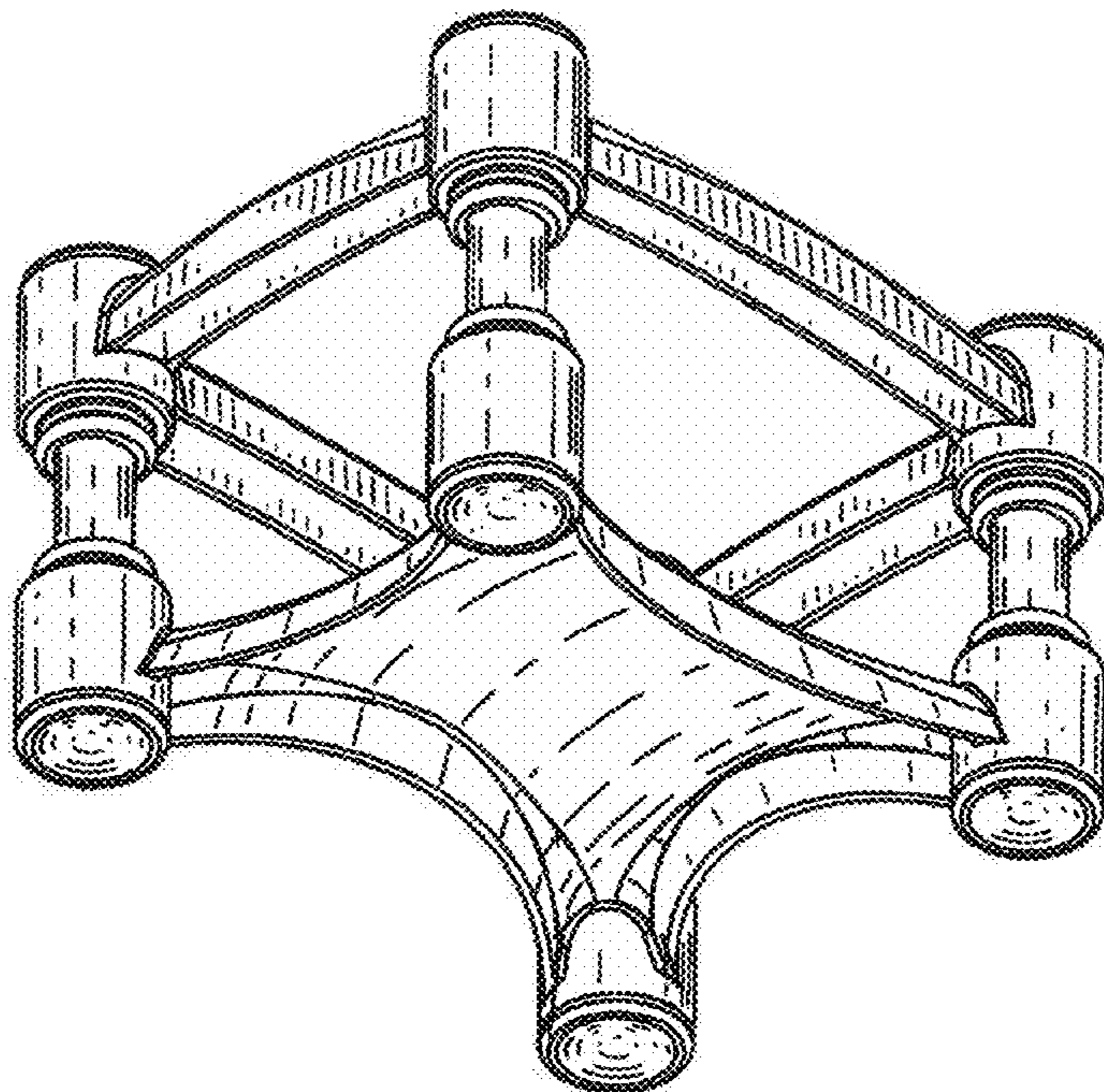


FIG. 02

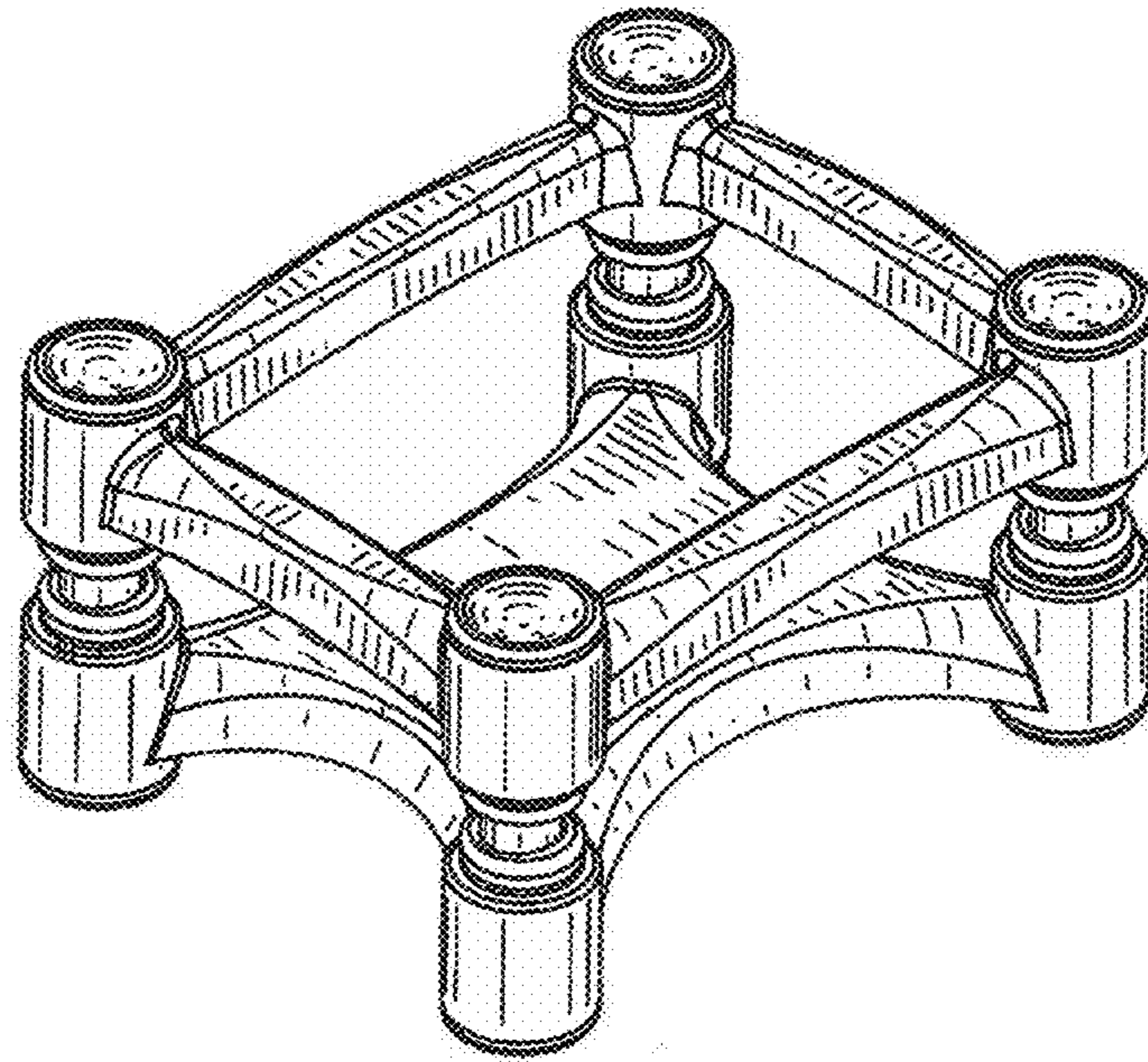


FIG. 03

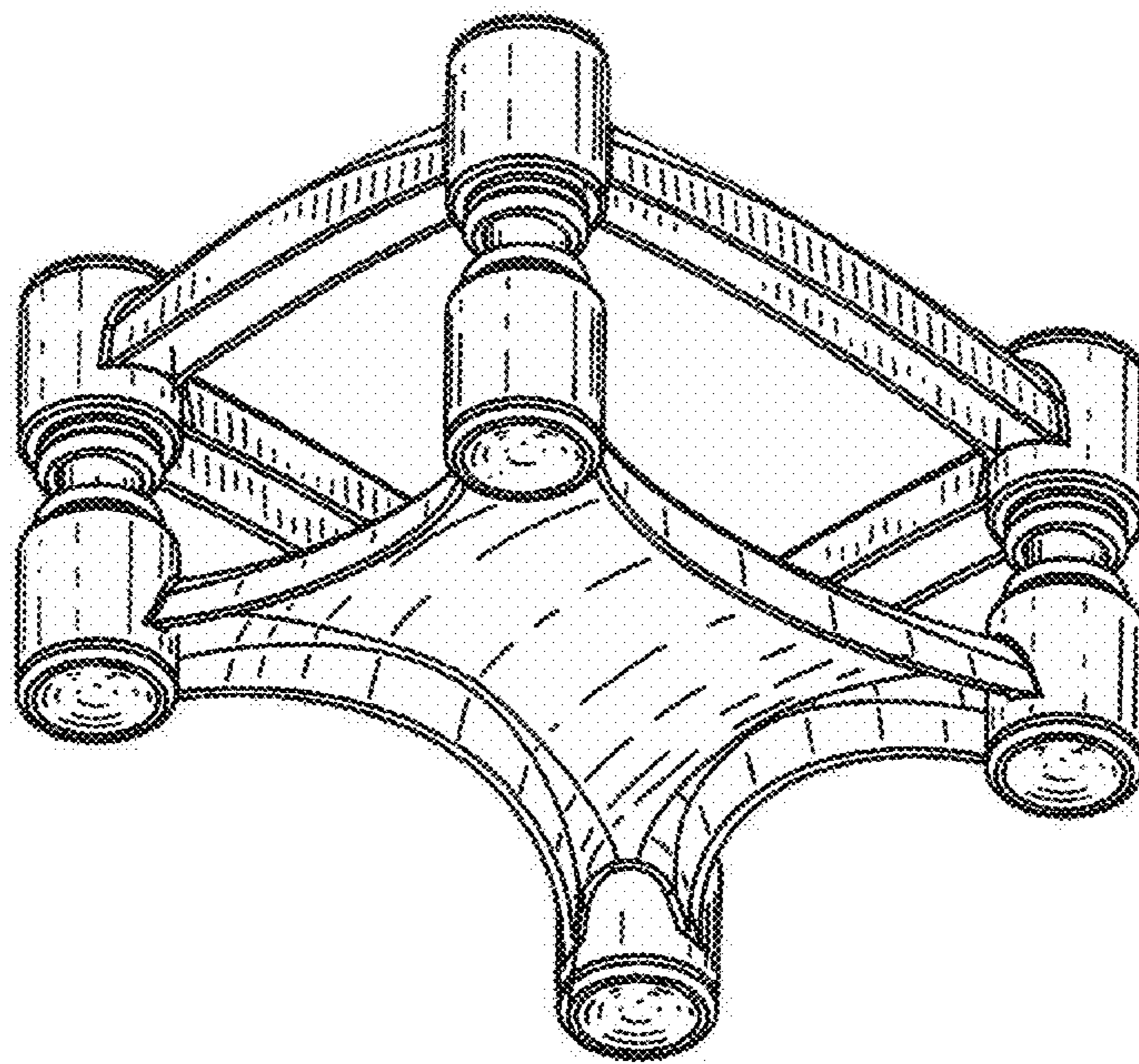


FIG. 04

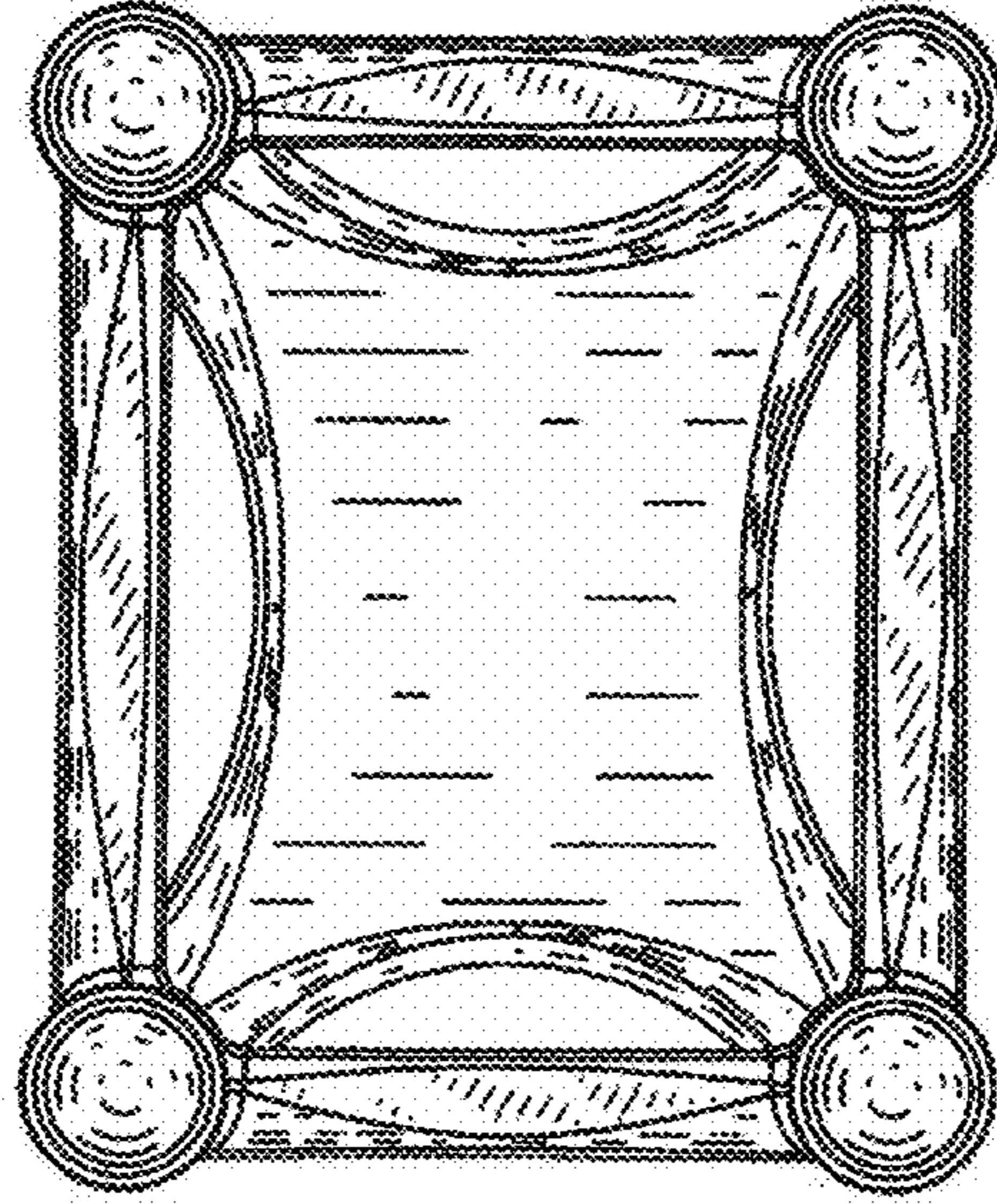


FIG. 05

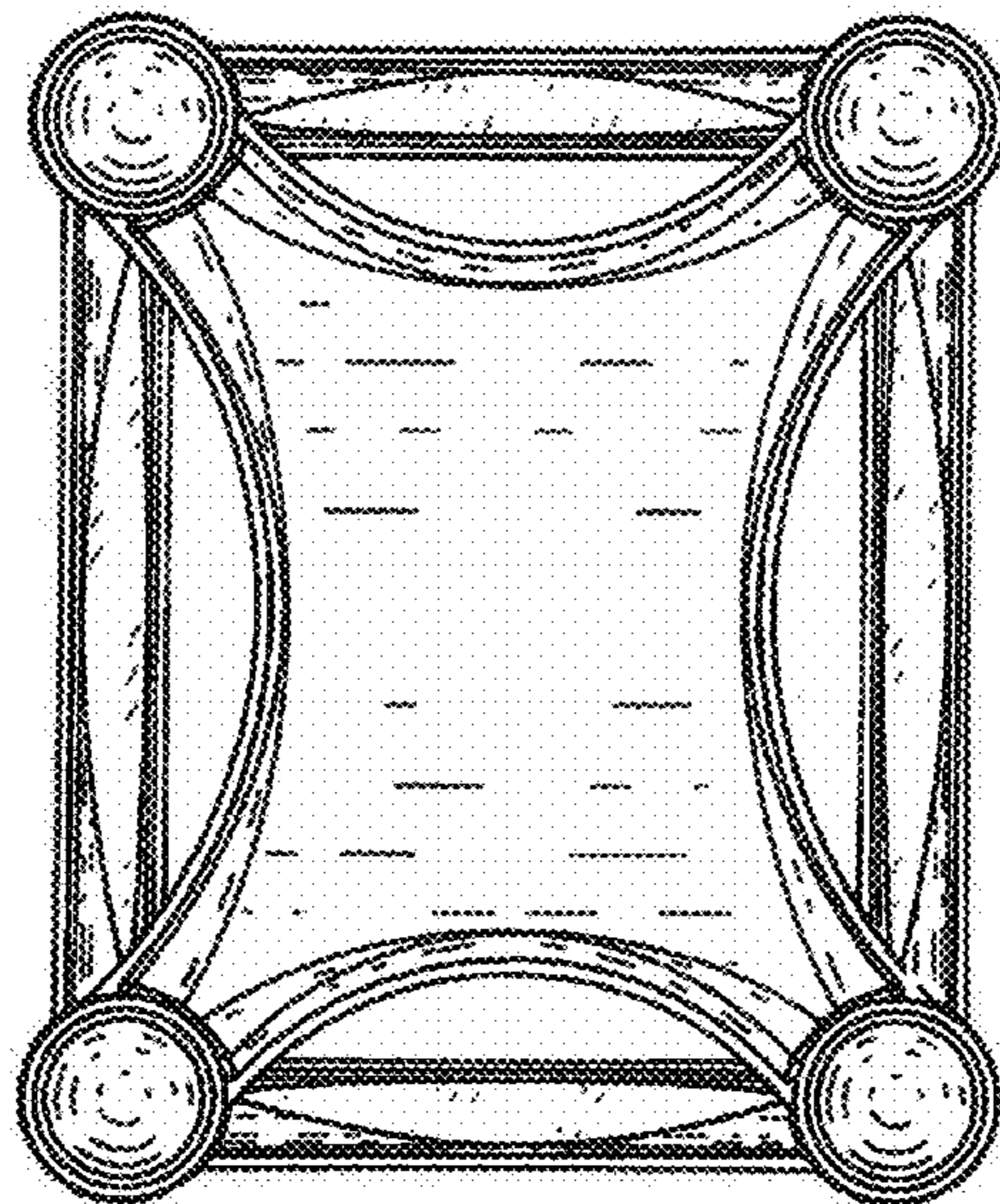


FIG. 06

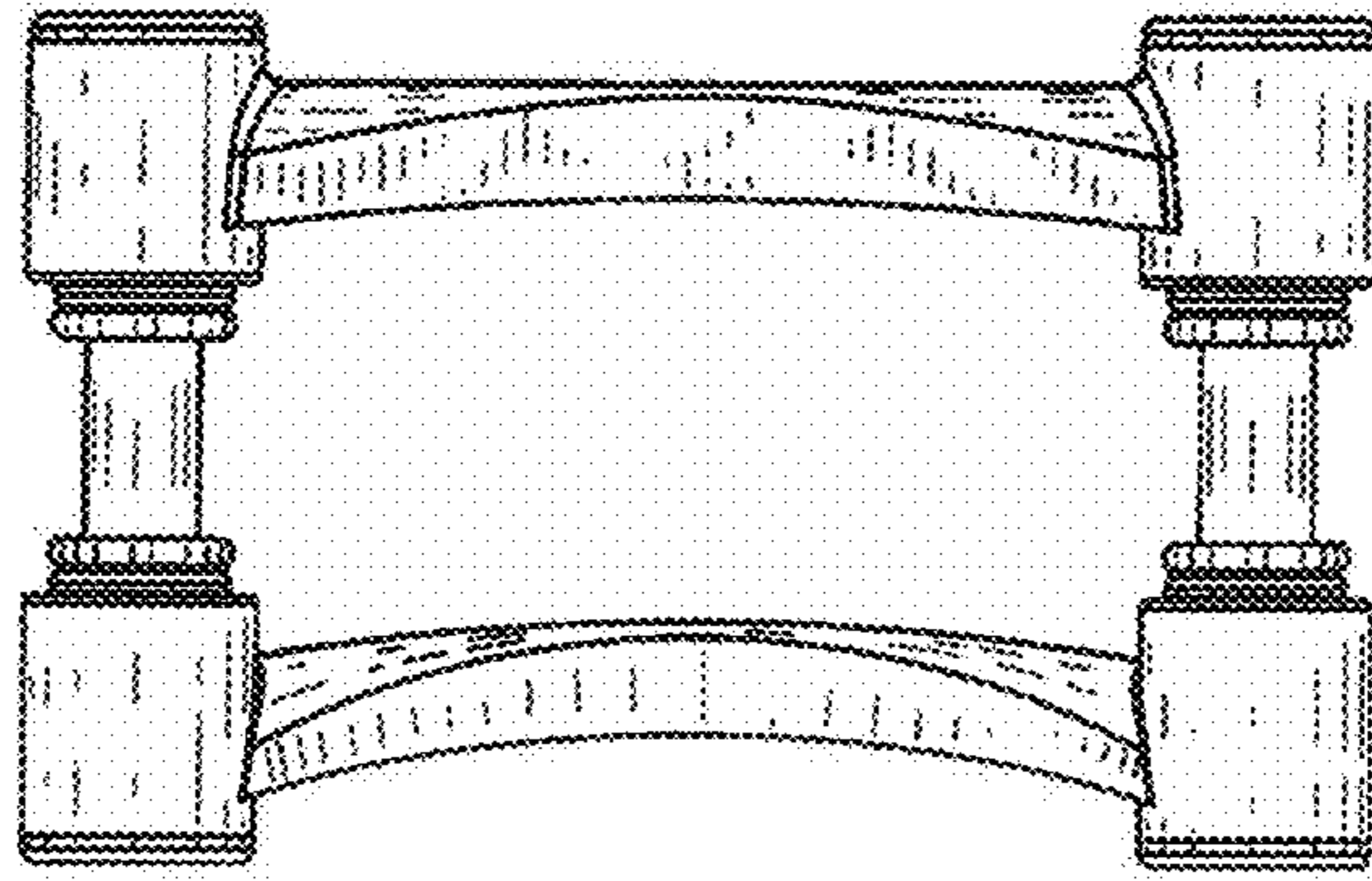


FIG. 07

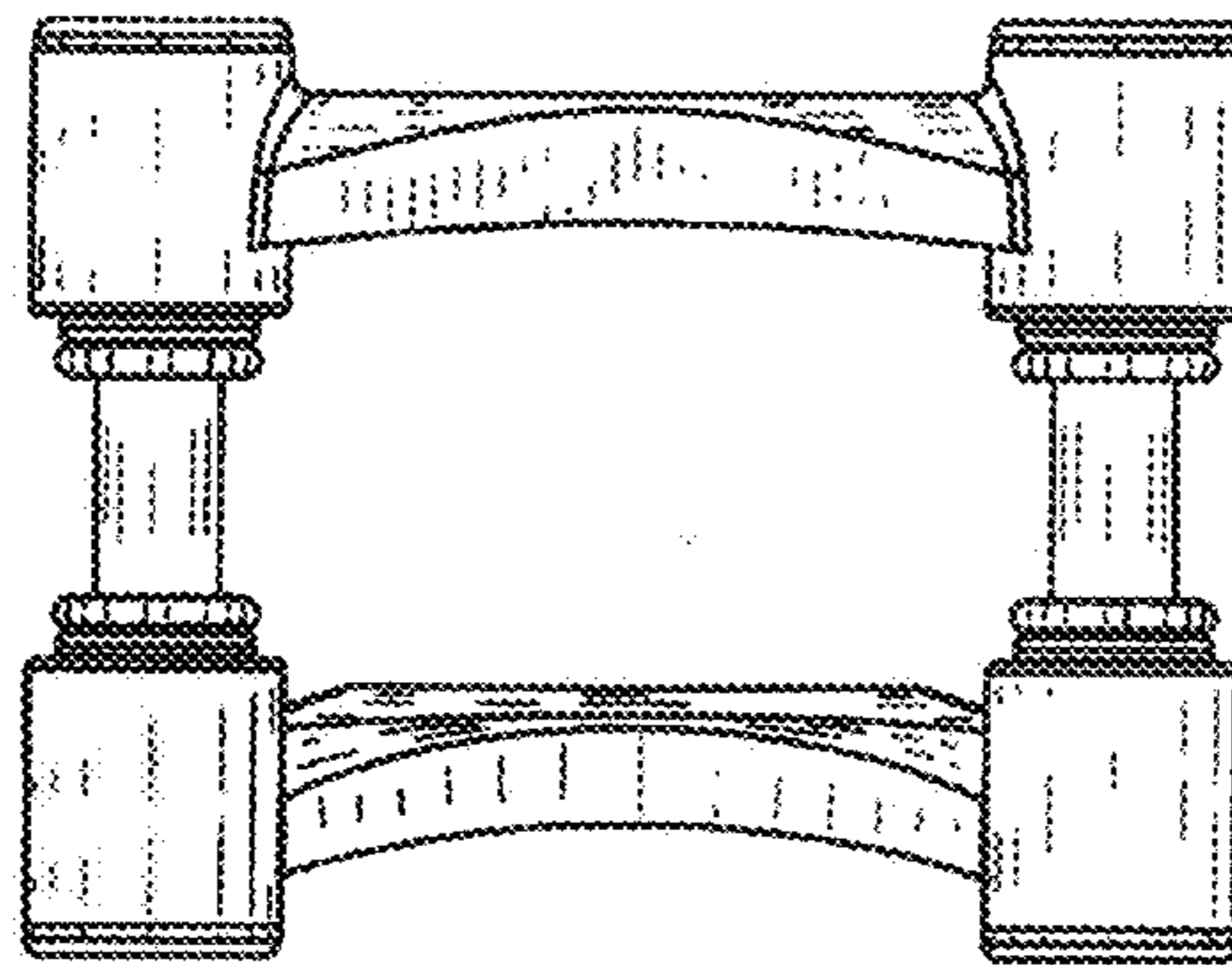


FIG. 08

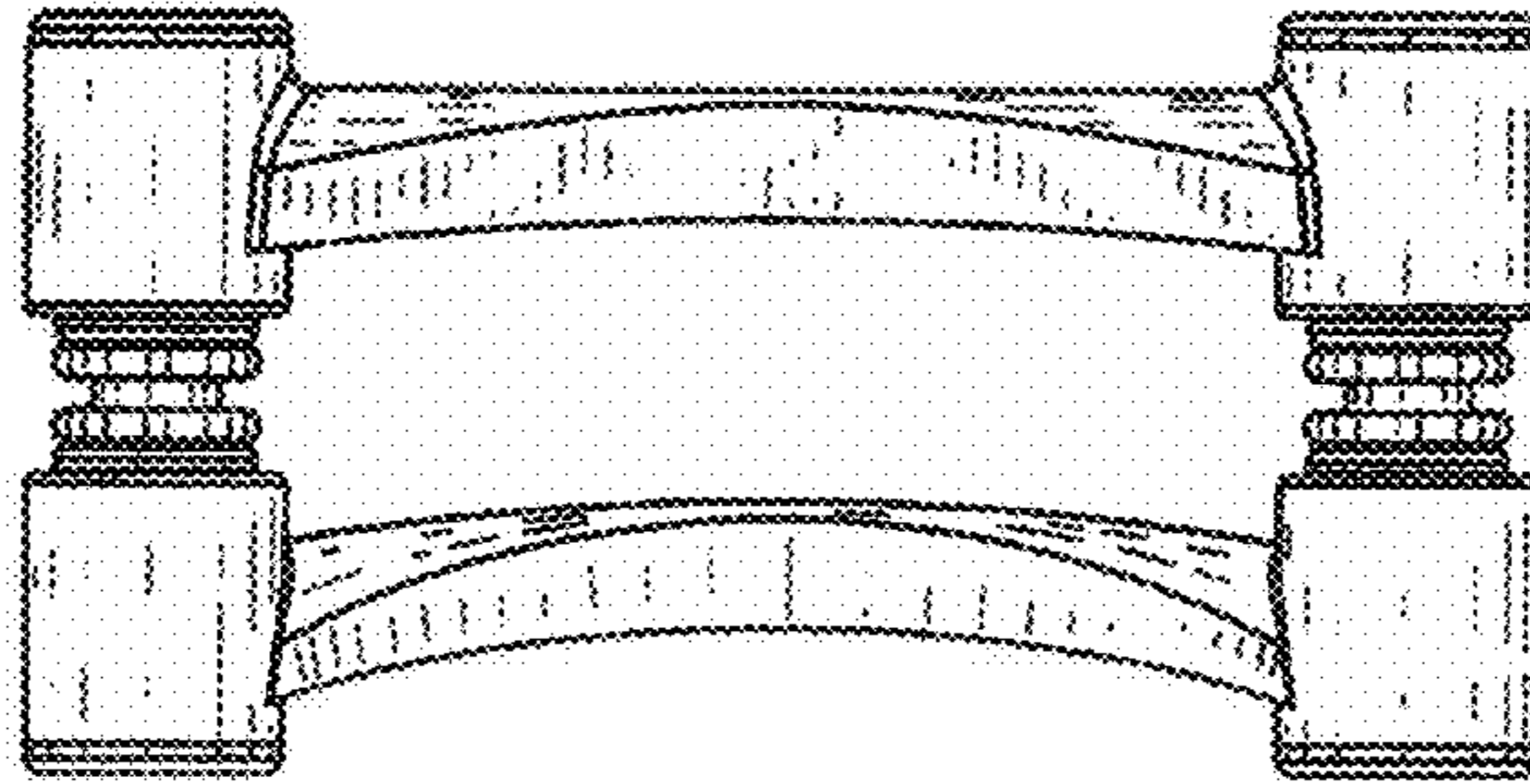


FIG. 09

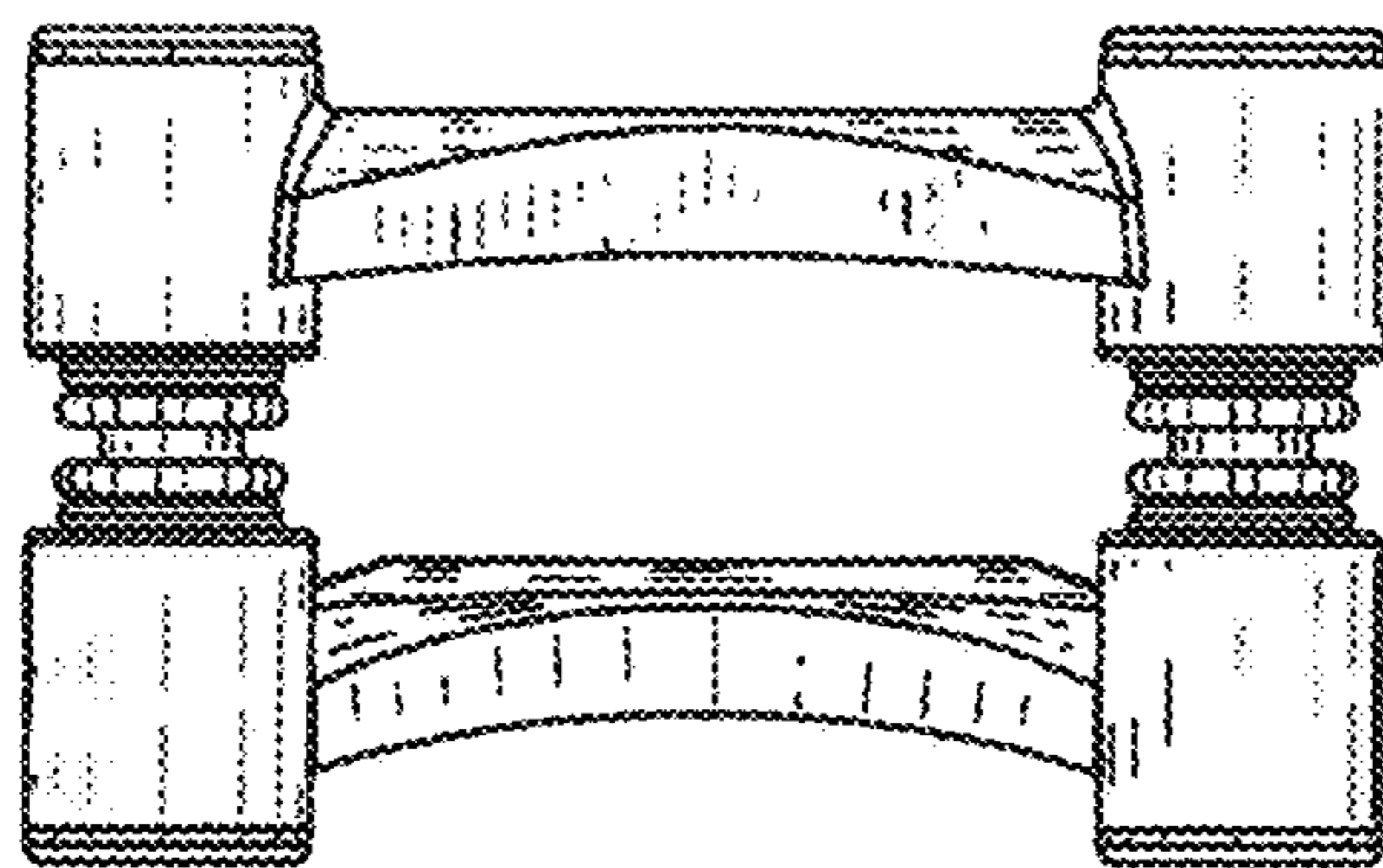


FIG. 10