



US00D741839S

(12) **United States Design Patent**  
**Osborn et al.**

(10) **Patent No.:** **US D741,839 S**  
(45) **Date of Patent:** **\*\* Oct. 27, 2015**

(54) **BATTERY-POWERED SPEAKER FOR  
HANDHELD DEVICES**

(71) Applicants: **Warren Robert Osborn**, Provo, UT  
(US); **John Craig Cheney**, Orem, UT  
(US)

(72) Inventors: **Warren Robert Osborn**, Provo, UT  
(US); **John Craig Cheney**, Orem, UT  
(US)

(\*\*) Term: **14 Years**

(21) Appl. No.: **29/506,253**

(22) Filed: **Oct. 14, 2014**

**Related U.S. Application Data**

(63) Continuation of application No. 29/453,975, filed on  
May 3, 2013, now Pat. No. Des. 715,258.

(51) **LOC (10) Cl.** ..... **14-03**

(52) **U.S. Cl.**  
USPC ..... **D14/214**

(58) **Field of Classification Search**

USPC ..... D14/167, 168, 170–172, 188, 194–196,  
D14/204, 207, 209.1, 210–216, 221, 222,  
D14/224; 181/143, 144, 147, 148, 150, 153,  
181/157, 198, 199; 381/300–303, 306, 332,  
381/333, 336, 345, 361–364, 386–388;  
369/6–12  
CPC .... B60R 11/0217; H04M 1/03; H04M 1/035;  
H04N 5/642; H04N 21/4852; H04R 1/02;  
H04R 1/06; H04R 1/021; H04R 1/025;  
H04R 1/026; H04R 1/028; H04R 1/105;  
H04R 1/323; H04R 1/403; H04R 1/2803;  
H04R 1/2834; H04R 5/02; H04R 7/20;  
H04R 9/06; H04R 9/025; H04R 2201/021;  
H04R 2400/00; H04R 2499/11; H04R  
2499/13; H04R 2499/15; H04S 3/00; H04S  
7/30; G06F 1/1688

See application file for complete search history.

(56) **References Cited**

U.S. PATENT DOCUMENTS

D558,788 S \* 1/2008 Yu et al. .... D14/496  
D579,915 S \* 11/2008 Yeo ..... D14/214  
D597,064 S \* 7/2009 Machida ..... D14/167

(Continued)

*Primary Examiner* — Keli L Hill

(74) *Attorney, Agent, or Firm* — Angus C. Fox, III

(57) **CLAIM**

We claim the ornamental design for a battery-powered  
speaker for handheld devices, as shown and described.

**DESCRIPTION**

FIG. 1 is an isometric view of the battery-powered speaker for  
handheld devices, showing primarily the top, front and right  
side thereof;

FIG. 2 is an isometric view of the battery-powered speaker for  
handheld devices, showing primarily the top, front and left  
side thereof;

FIG. 3 is an isometric view of the battery-powered speaker for  
handheld devices, showing primarily the bottom, front and  
left side thereof;

FIG. 4 is an isometric view of the battery-powered speaker for  
handheld devices, showing primarily the bottom, front and  
right side thereof;

FIG. 5 is a front elevational view of the battery-powered  
speaker for handheld devices;

FIG. 6 is a rear elevational view of the battery-powered  
speaker for handheld devices;

FIG. 7 is a top plan view of the battery-powered speaker for  
handheld devices;

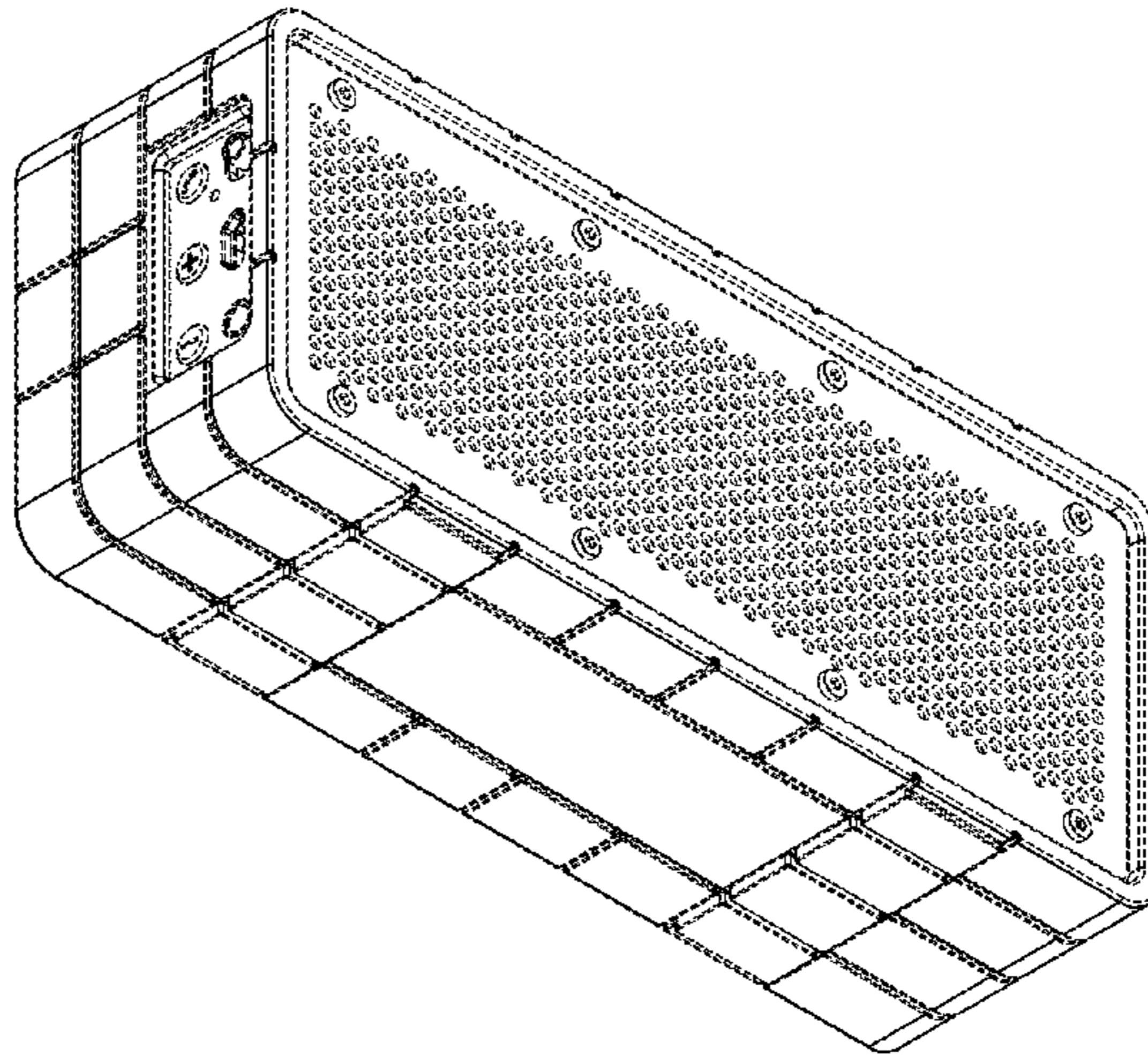
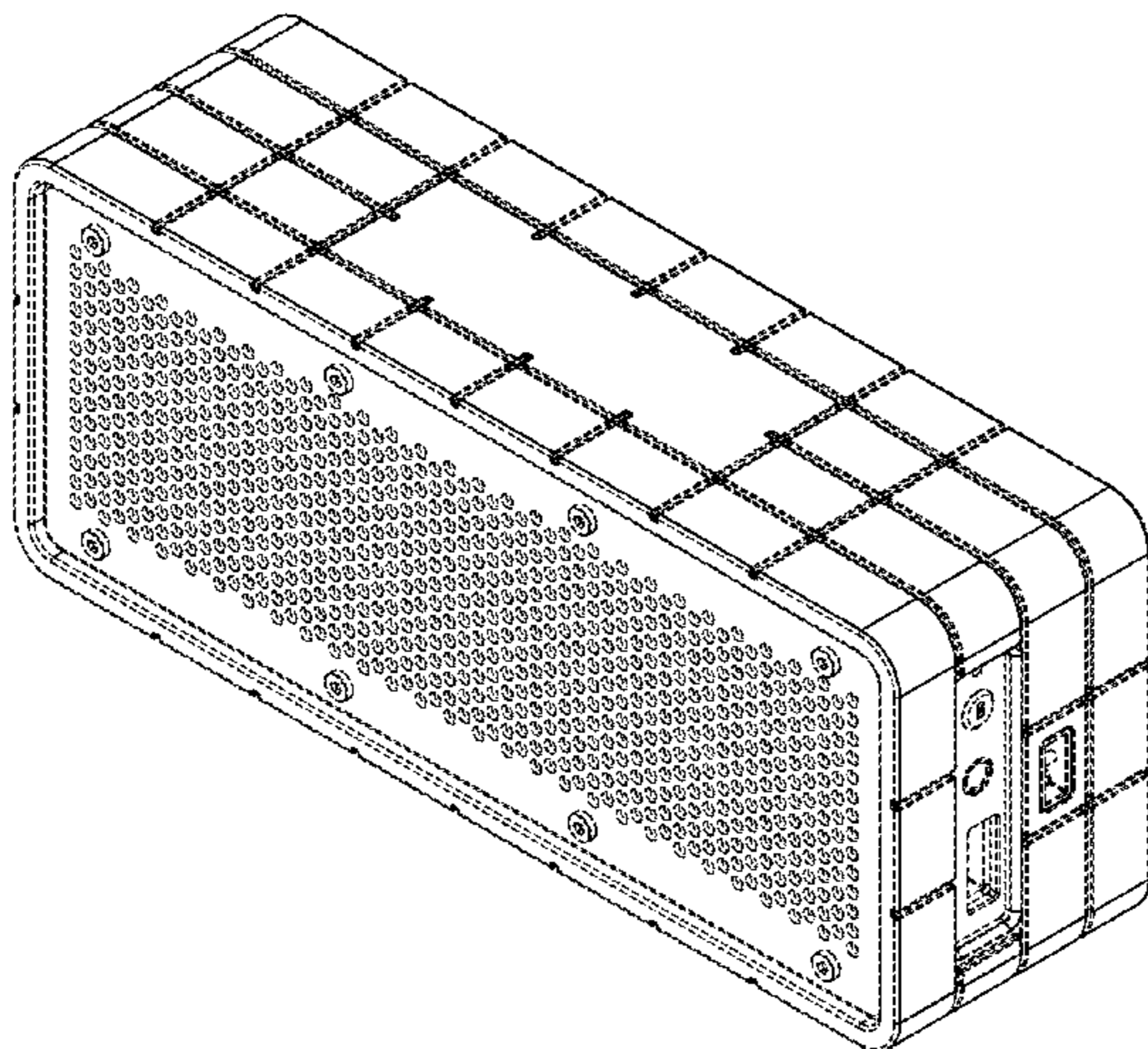
FIG. 8 is a left-side elevational view of the battery-powered  
speaker for handheld devices;

FIG. 9 is a bottom plan view of the battery-powered speaker  
for handheld devices; and,

FIG. 10 is a right-side elevational view of the battery-powered  
speaker for handheld devices.

A major portion of the battery-powered speaker for handheld  
devices is shown in broken lines for illustrative purposes only  
and forms no part of the claimed design.

**1 Claim, 8 Drawing Sheets**



(56)

**References Cited**

U.S. PATENT DOCUMENTS

D621,384 S \* 8/2010 Kao ..... D14/214  
D636,759 S \* 4/2011 Chen ..... D14/214  
D665,424 S \* 8/2012 Ledbetter et al. .... D14/496  
D684,560 S \* 6/2013 Lee et al. .... D14/209.1  
D695,710 S \* 12/2013 Szymanski et al. .... D14/214  
D704,678 S \* 5/2014 Katsumata ..... D14/209.1

D706,300 S \* 6/2014 Akana et al. .... D14/496  
D706,747 S \* 6/2014 Yoshimura ..... D14/209.1  
D707,203 S \* 6/2014 Xie et al. .... D14/214  
D708,228 S \* 7/2014 Fustino et al. .... D14/496  
D710,328 S \* 8/2014 Kim ..... D14/214  
D715,258 S \* 10/2014 Osborn et al. .... D14/214  
D719,932 S \* 12/2014 Osborn et al. .... D14/214  
D721,350 S \* 1/2015 Kim ..... D14/194  
D721,738 S \* 1/2015 Hochman et al. .... D14/496

\* cited by examiner

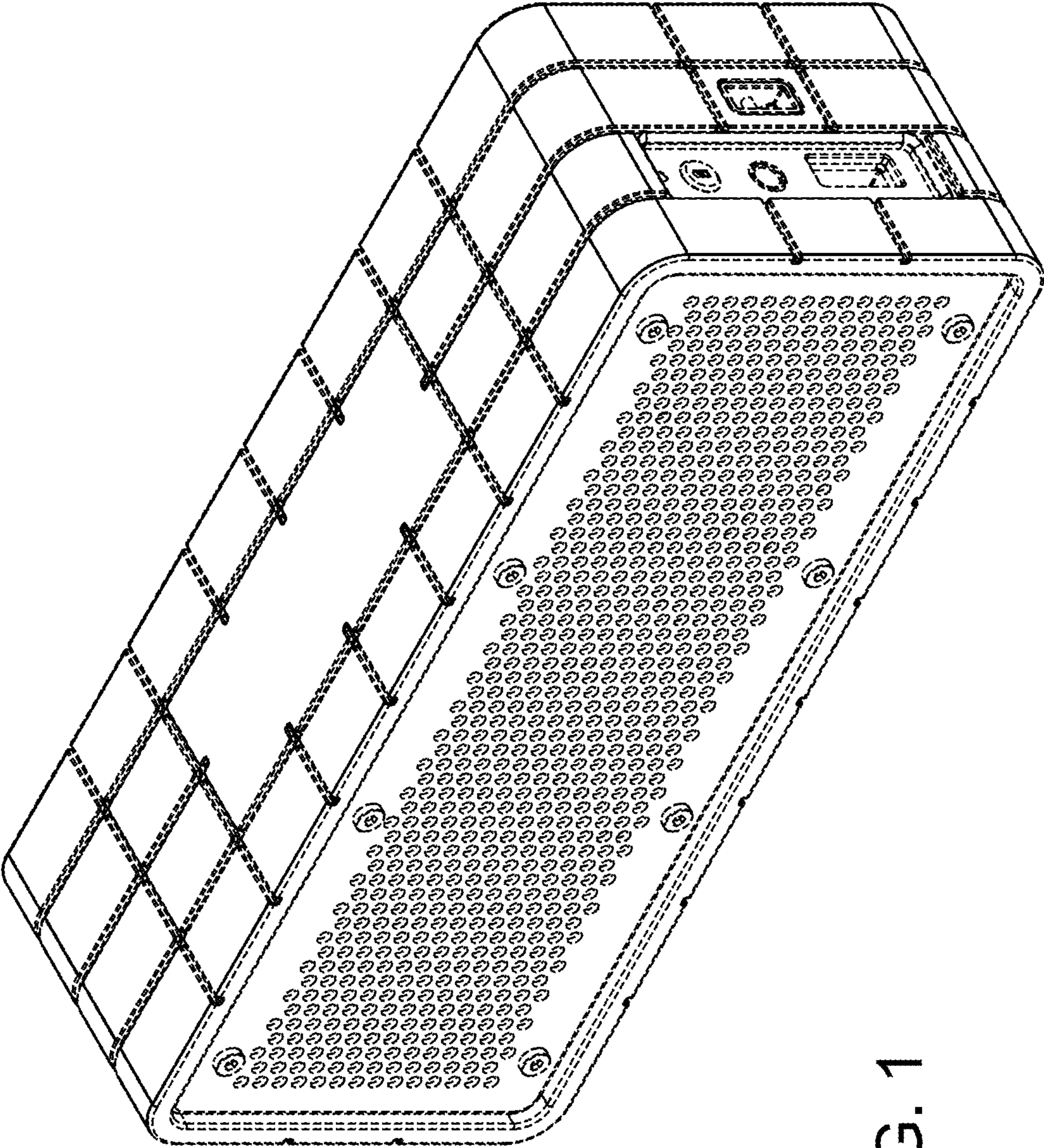


FIG. 1

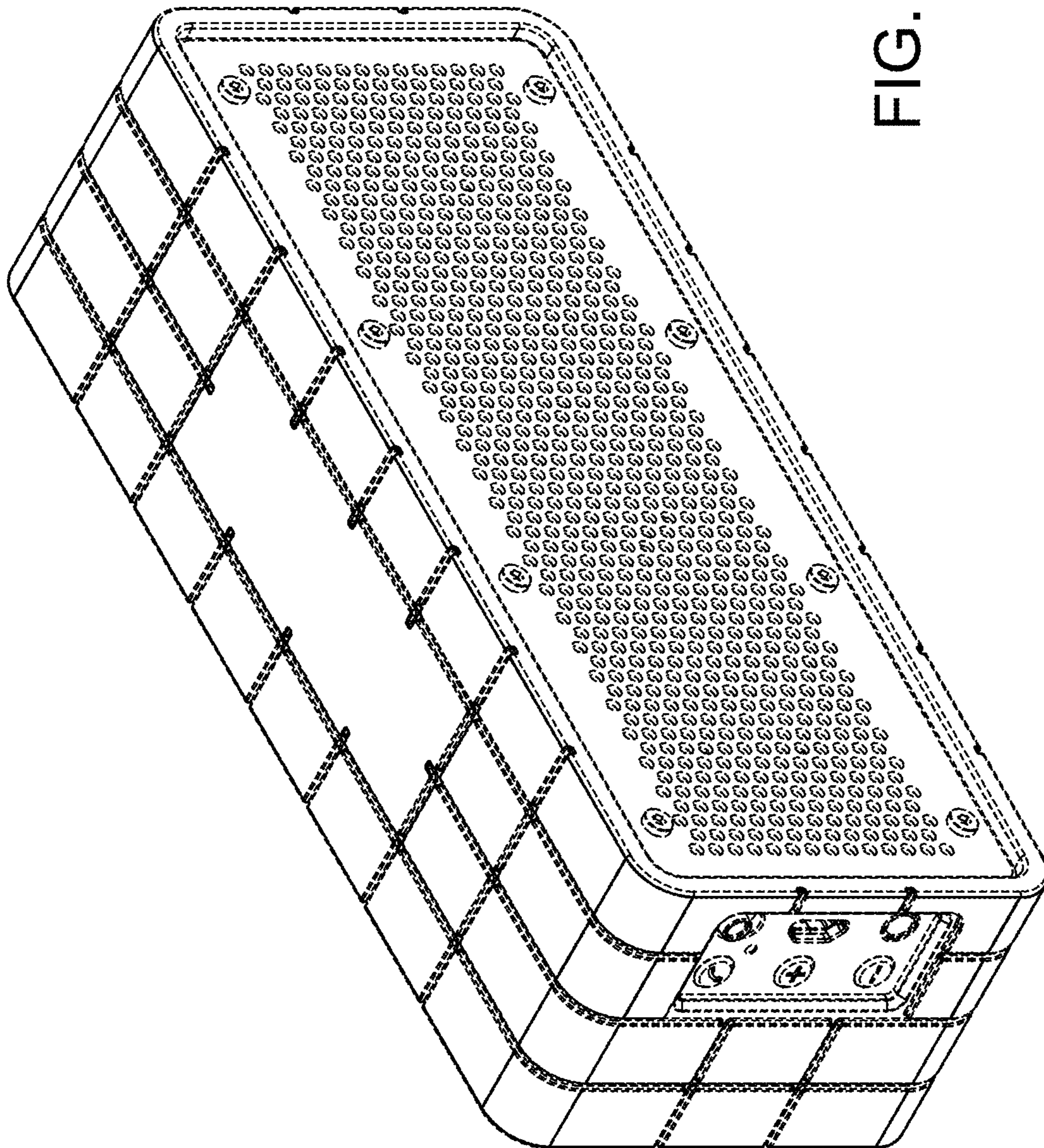


FIG. 2

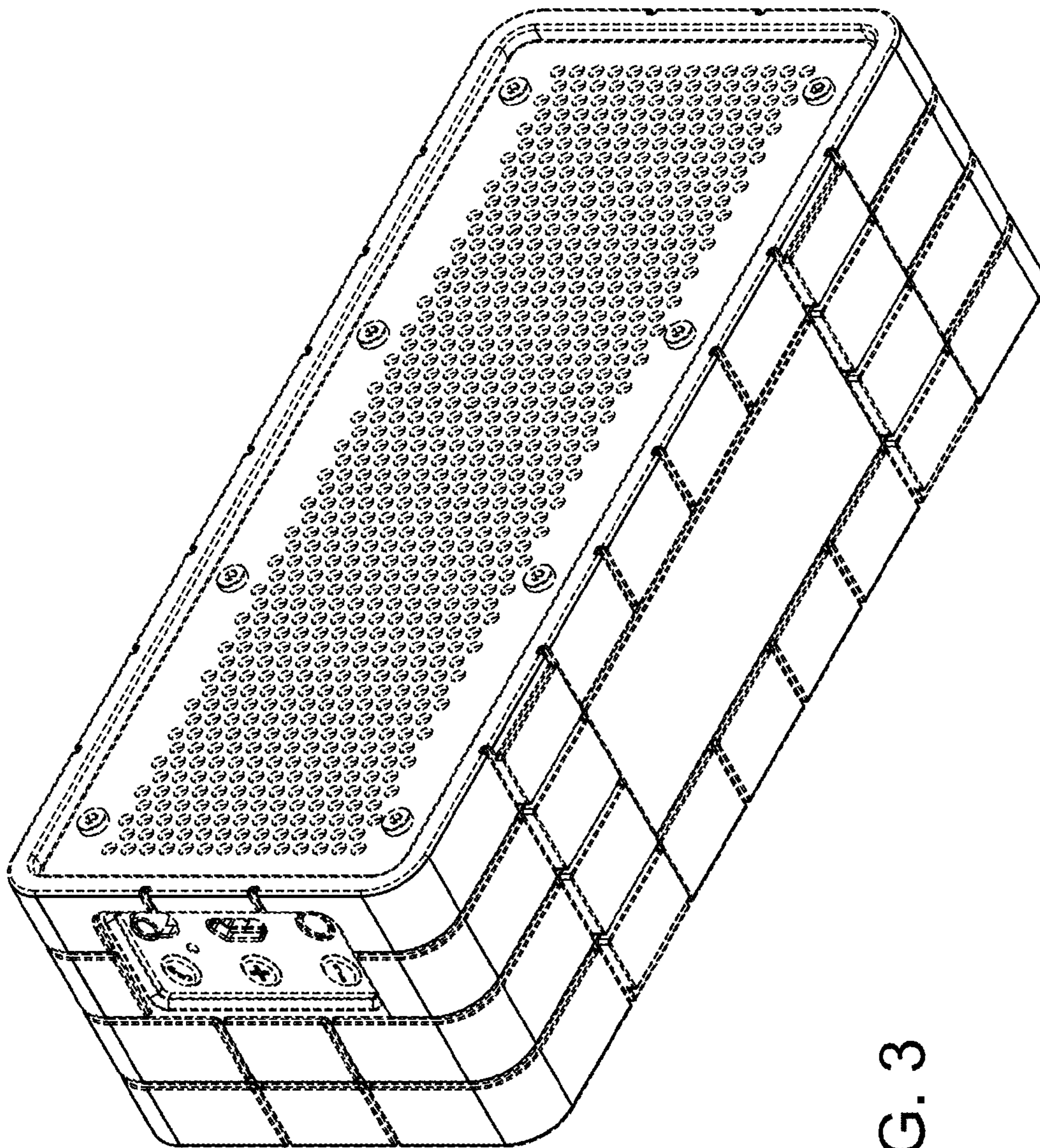


FIG. 3

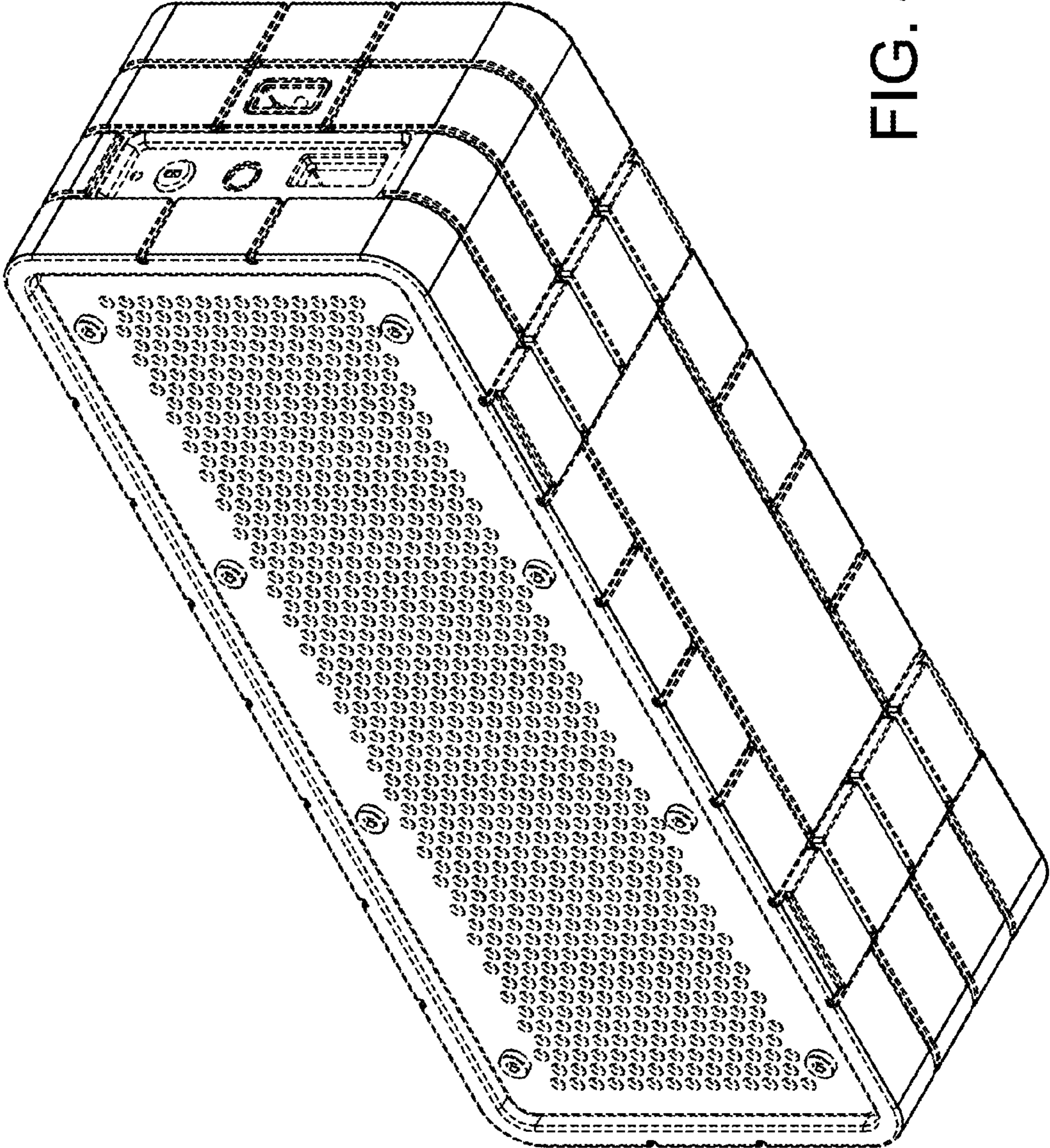


FIG. 4

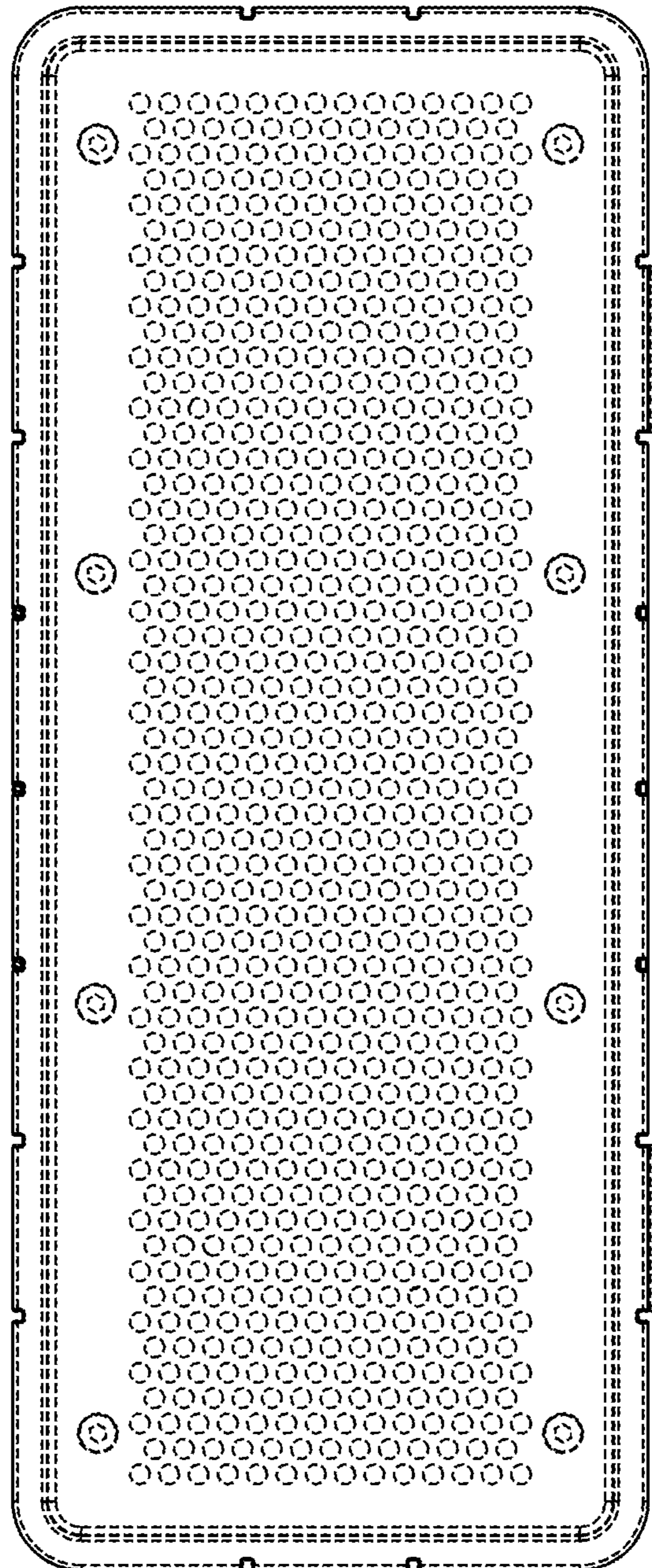


FIG. 5

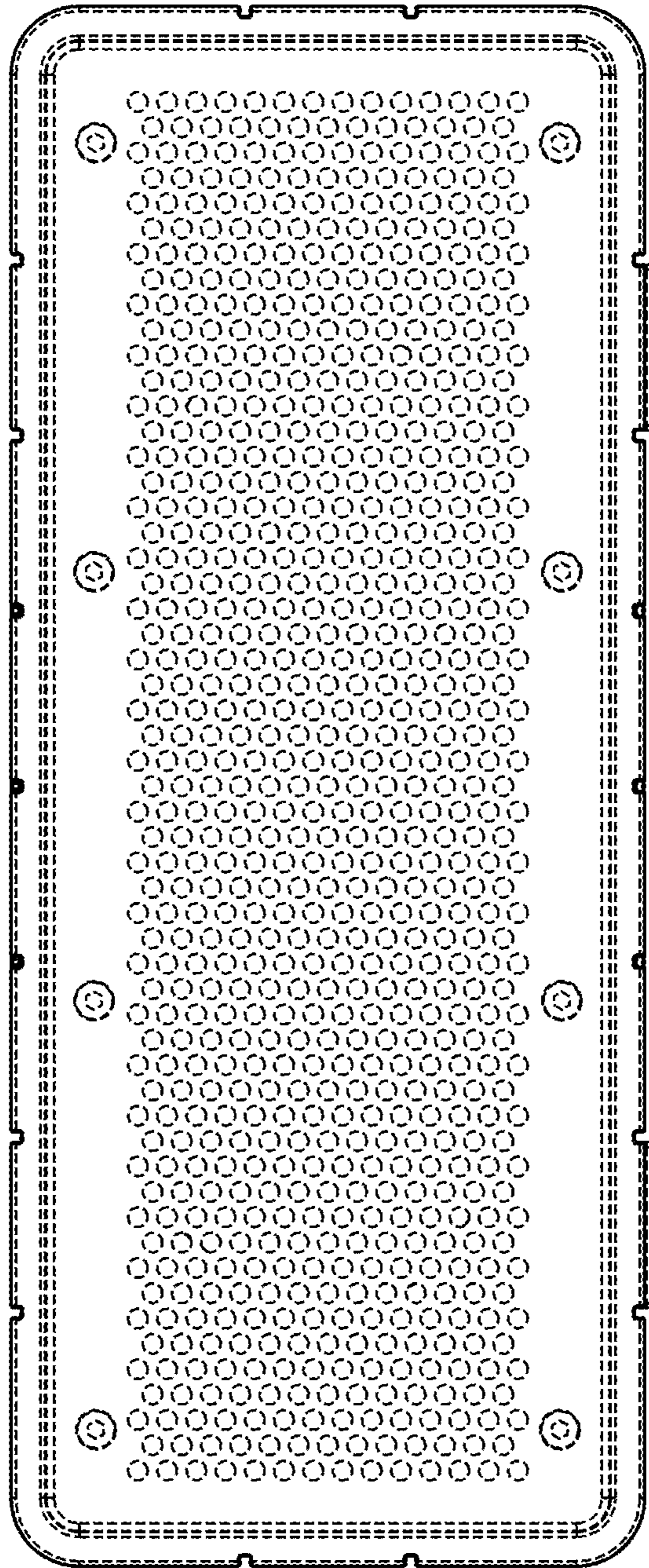


FIG. 6



FIG. 7

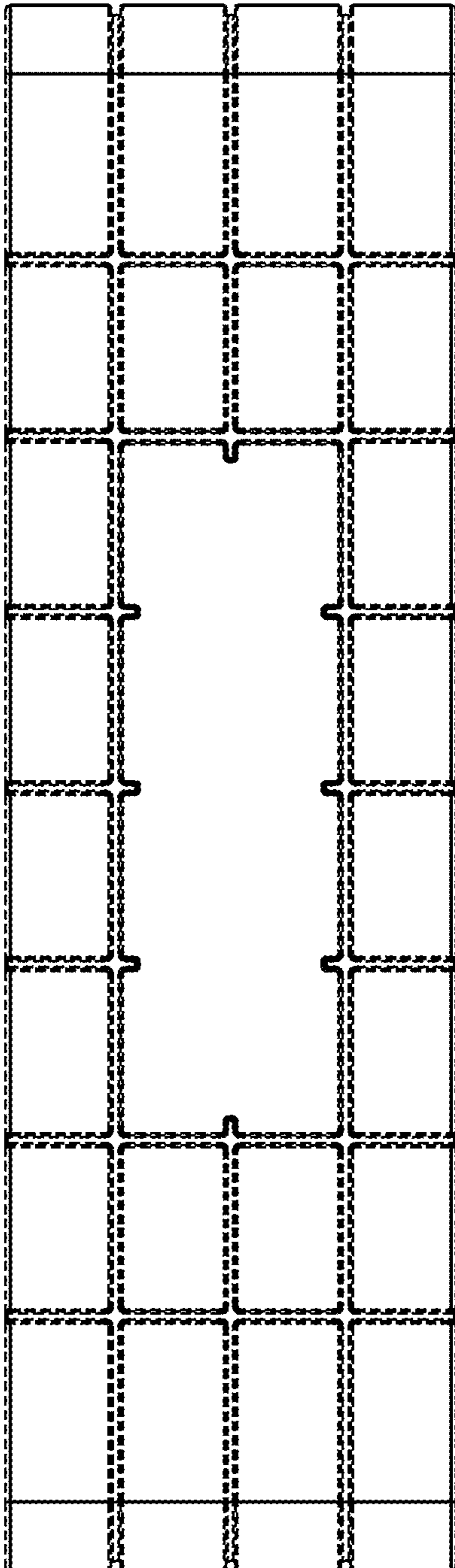


FIG. 8

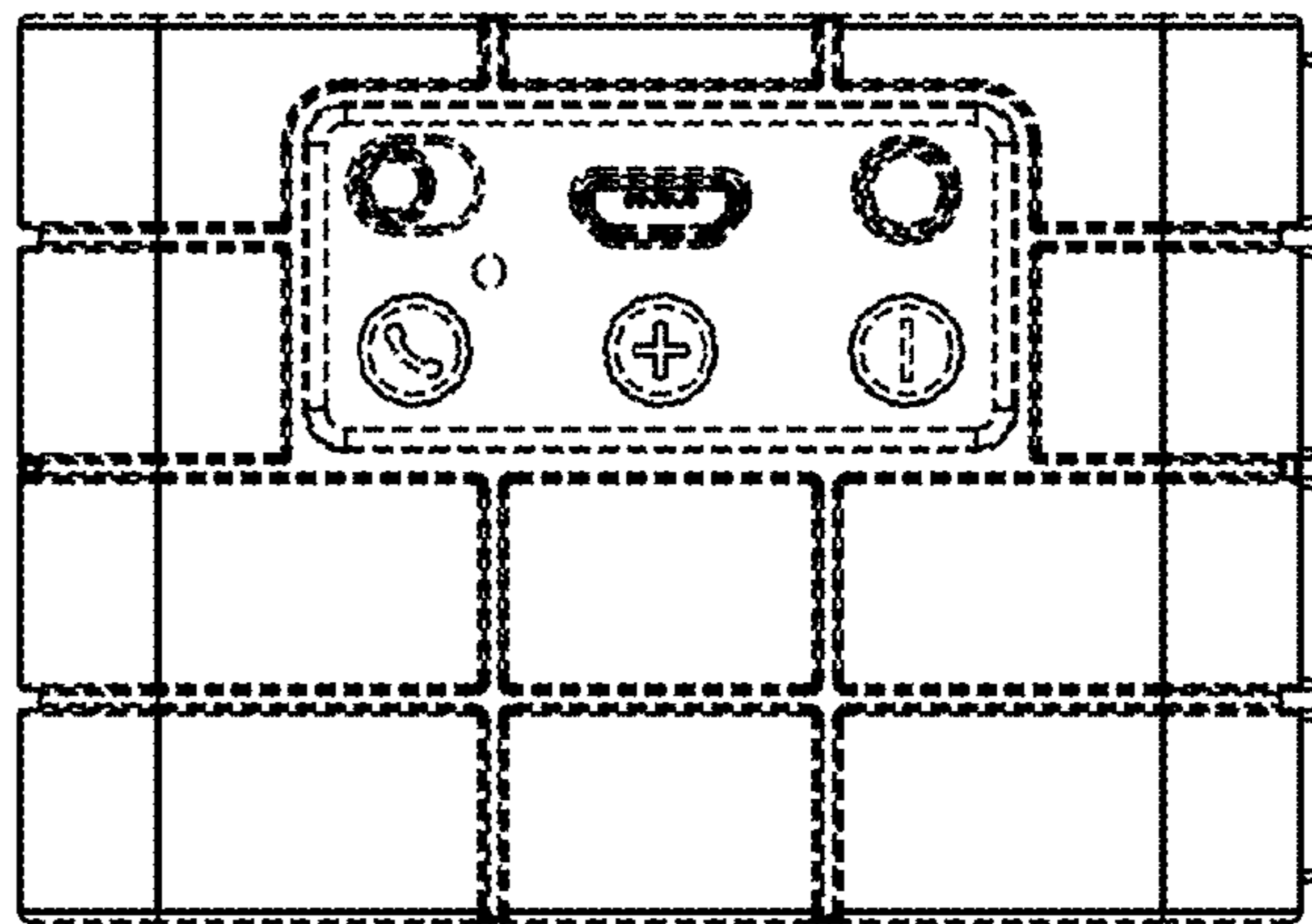


FIG. 9

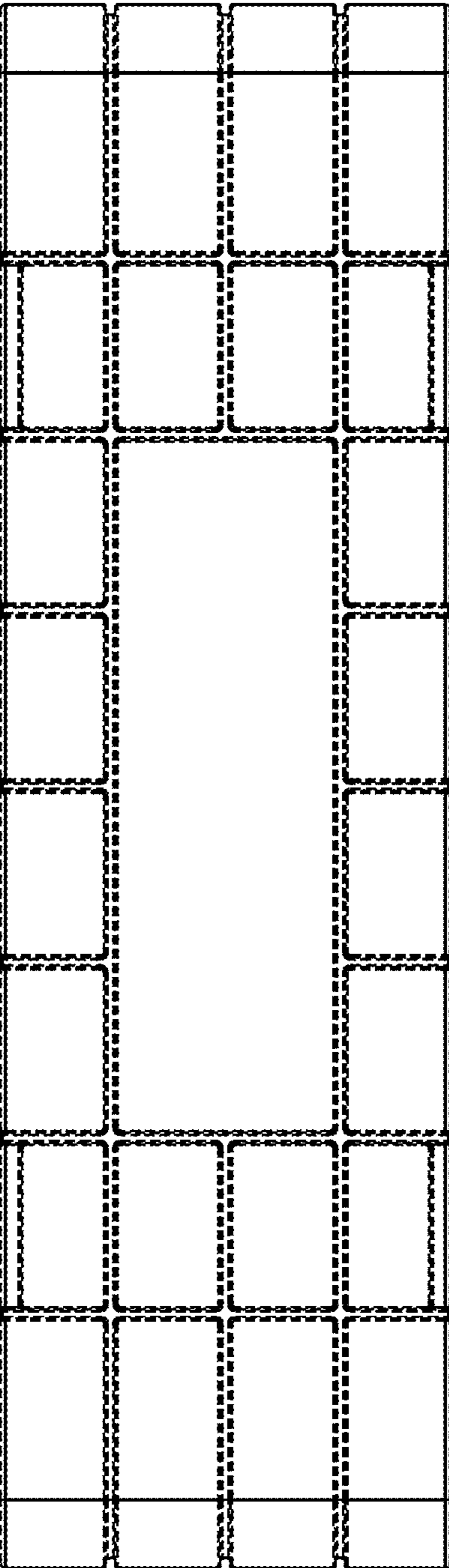


FIG. 10

