



US00D741838S

(12) **United States Design Patent**
Dorman

(10) **Patent No.:** **US D741,838 S**

(45) **Date of Patent:** **** Oct. 27, 2015**

(54) **SPEAKER**

(71) Applicant: **Milwaukee Electric Tool Corporation,**
Brookfield, WI (US)

(72) Inventor: **Justin Dorman,** Wauwatosa, WI (US)

(73) Assignee: **Milwaukee Electric Tool Corporation,**
Brookfield, WI (US)

(**) Term: **14 Years**

(21) Appl. No.: **29/499,036**

(22) Filed: **Aug. 11, 2014**

(51) **LOC (10) Cl.** **14-03**

(52) **U.S. Cl.**
USPC **D14/214**

(58) **Field of Classification Search**
USPC D14/167, 168, 170–172, 188, 194–196,
D14/204, 207, 209.1, 210–216, 219, 221,
D14/222, 224, 496; 181/143, 144, 147, 148,
181/150, 153, 157, 198, 199; 381/300–303,
381/306, 332, 333, 336, 345, 361–364,
381/386–388; 369/6–12
CPC B60R 11/0217; G06F 1/1688; H04M 1/03;
H04M 1/035; H04R 1/02; H04R 1/06; H04R
1/021; H04R 1/025; H04R 1/026; H04R
1/028; H04R 1/105; H04R 1/323; H04R
1/403; H04R 1/2803; H04R 1/2834; H04R
5/02; H04R 7/20; H04R 9/06; H04R 9/025;
H04R 2201/021; H04R 2400/00; H04R
2400/07; H04R 2499/11; H04R 2499/13;
H04R 2499/15; H04S 3/00; H04S 7/30;
H03F 1/327; G10K 9/22; G10K 11/004

See application file for complete search history.

(56) **References Cited**

U.S. PATENT DOCUMENTS

D294,569	S *	3/1988	Geraets	D14/188
D394,860	S *	6/1998	Kitsmiller et al.	D14/214
6,212,282	B1	4/2001	Mershon	
D609,217	S *	2/2010	Manini	D14/214
D611,455	S *	3/2010	Wang et al.	D14/214
D626,938	S *	11/2010	Moore et al.	D14/214
8,126,182	B2	2/2012	Chang	
8,150,460	B1	4/2012	Curtis et al.	
8,290,173	B2	10/2012	Richenstein et al.	
8,320,824	B2	11/2012	Banks et al.	
D689,040	S *	9/2013	Calhoun	D14/210
D698,335	S *	1/2014	Plattard	D14/210
D733,680	S *	7/2015	Nugent	D14/214
2006/0083396	A1	4/2006	Kung	
2007/0173294	A1	7/2007	Hsiung	

(Continued)

Primary Examiner — Keli L Hill

(74) *Attorney, Agent, or Firm* — Michael Best & Friedrich LLP

(57) **CLAIM**

I claim the ornamental design for a speaker, as shown and described.

DESCRIPTION

FIG. 1 is a perspective view of a speaker according to an embodiment of the invention.

FIG. 2 is a front view of the speaker shown in FIG. 1.

FIG. 3 is a rear view of the speaker shown in FIG. 1.

FIG. 4 is a right side view of the speaker shown in FIG. 1.

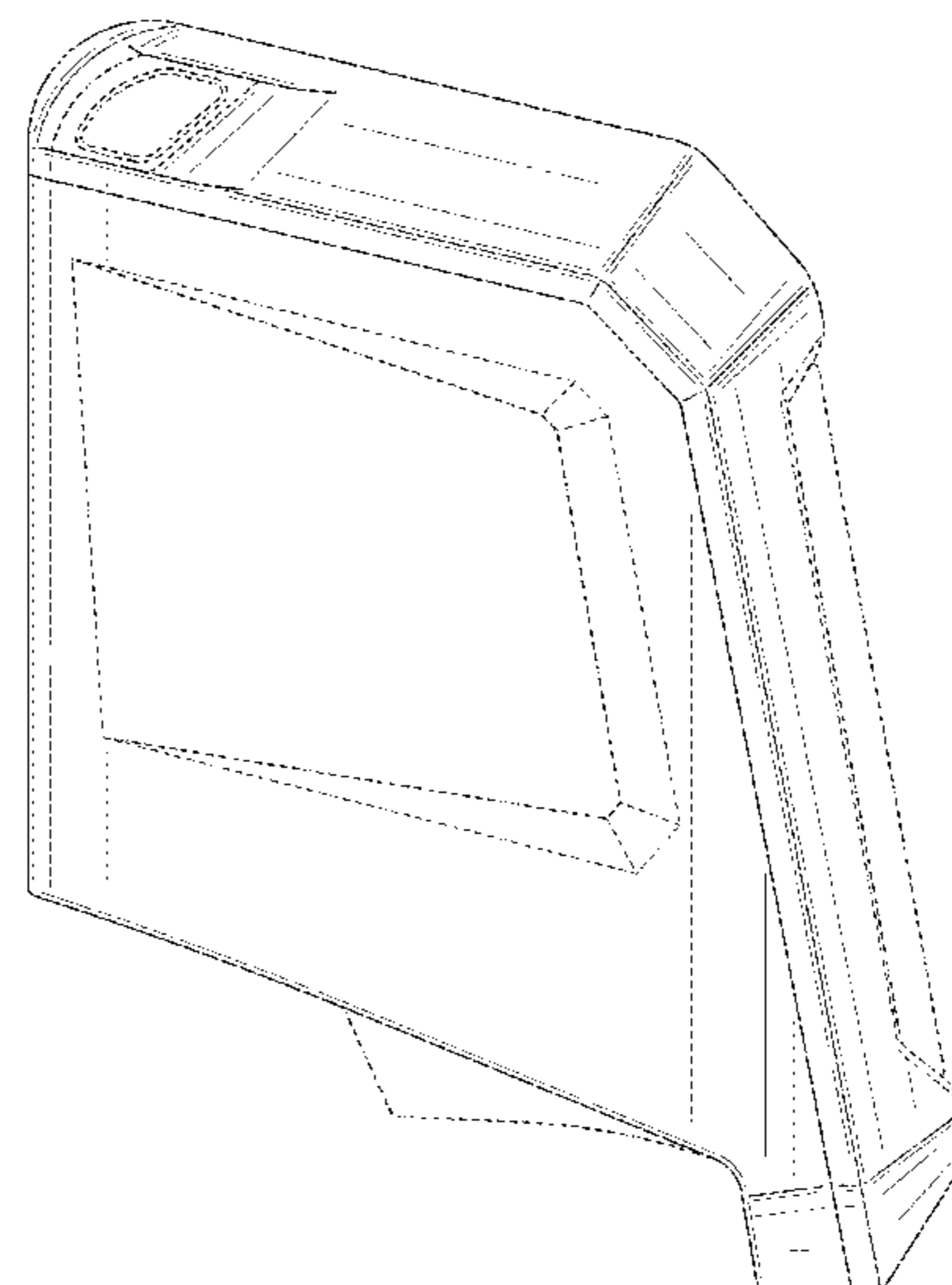
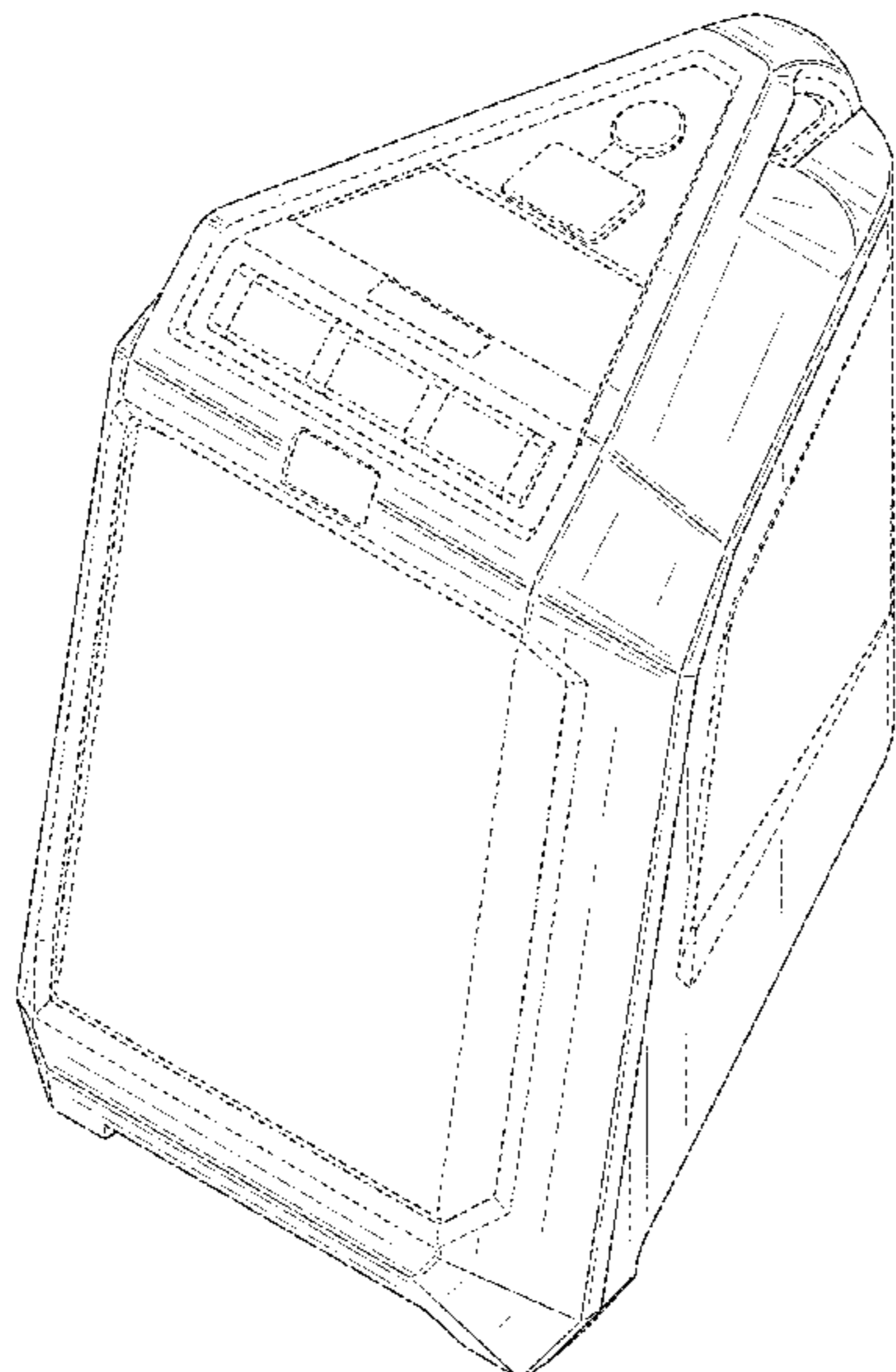
FIG. 5 is a left side view of the speaker shown in FIG. 1.

FIG. 6 is a top view of the speaker shown in FIG. 1; and,

FIG. 7 is a bottom view of the speaker shown in FIG. 1.

The elements shown in broken lines are included for the purpose of illustrating environment and form no part of the claimed design.

1 Claim, 7 Drawing Sheets



(56)

References Cited

U.S. PATENT DOCUMENTS

2007/0223725 A1 9/2007 Neumann et al.
2008/0137880 A1 6/2008 Mills et al.
2010/0020983 A1 1/2010 Waites
2010/0054519 A1 3/2010 Mulvey et al.

2010/0188212 A1 7/2010 Jochelson
2011/0158441 A1 6/2011 Batra
2012/0058727 A1 3/2012 Cook et al.
2012/0250875 A1 10/2012 Nicholson et al.
2012/0250924 A1 10/2012 Nicholson et al.
2012/0300962 A1 11/2012 Devoto
2012/0328134 A1 12/2012 Lewis

* cited by examiner

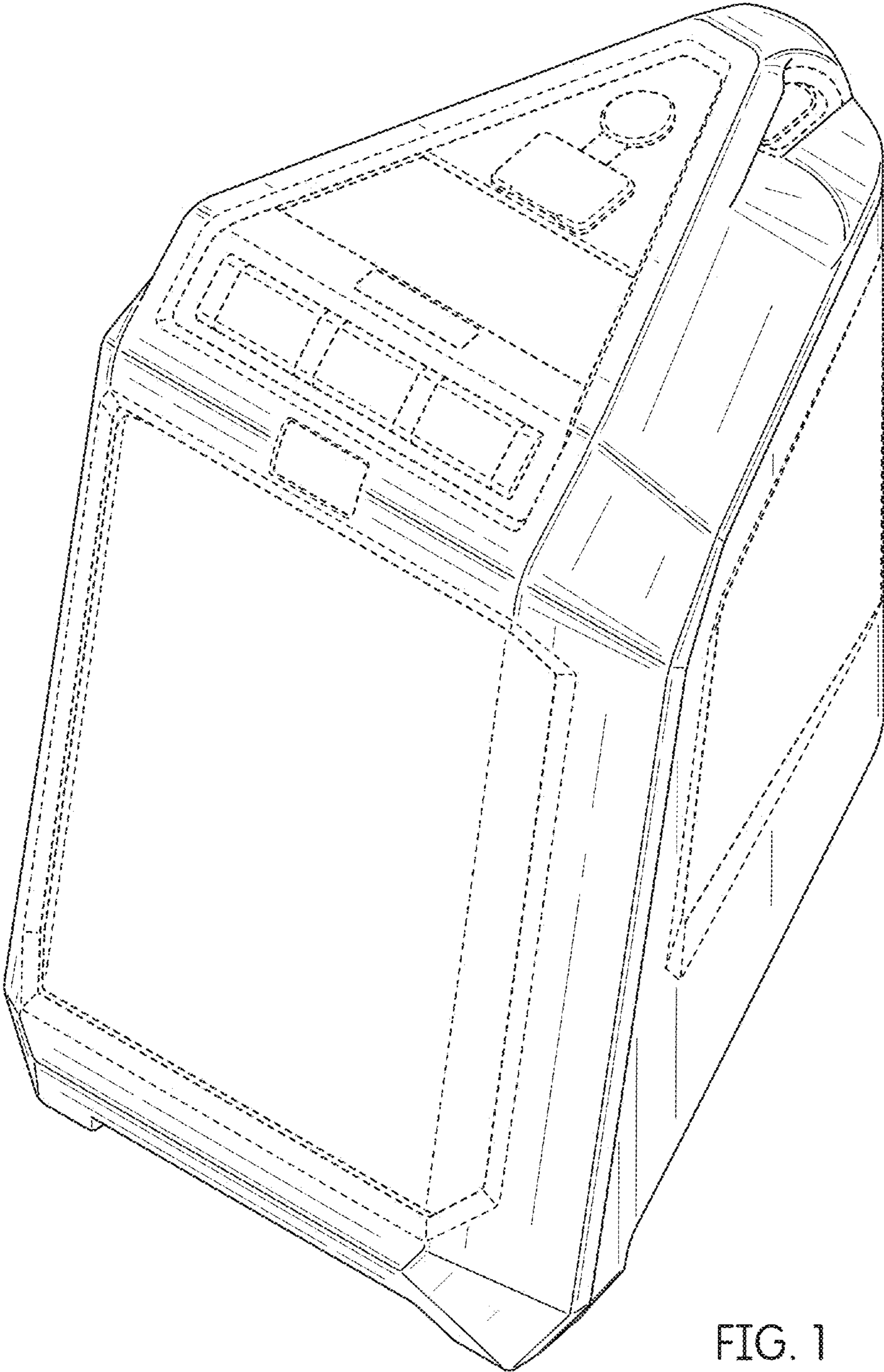


FIG. 1

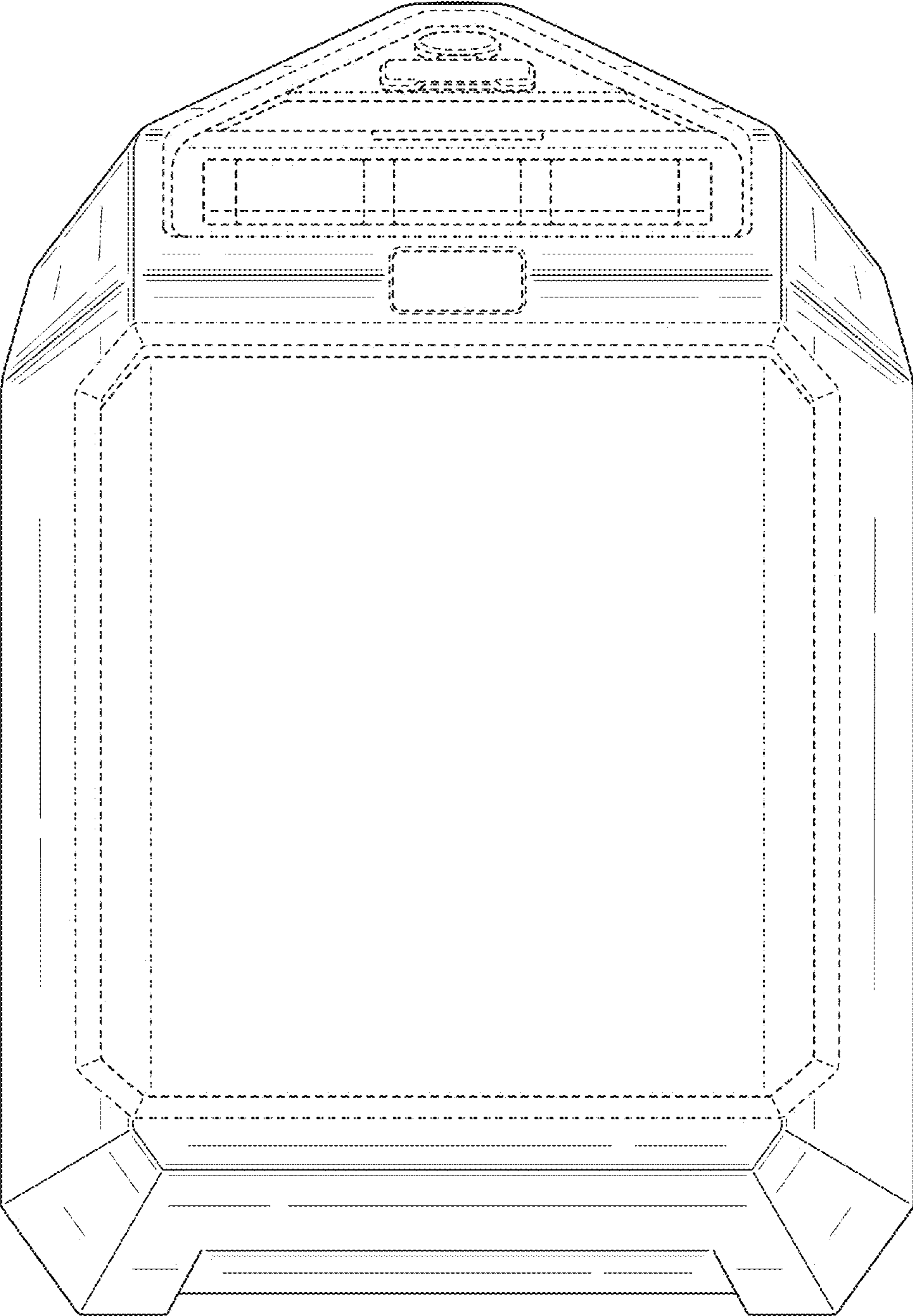


FIG. 2

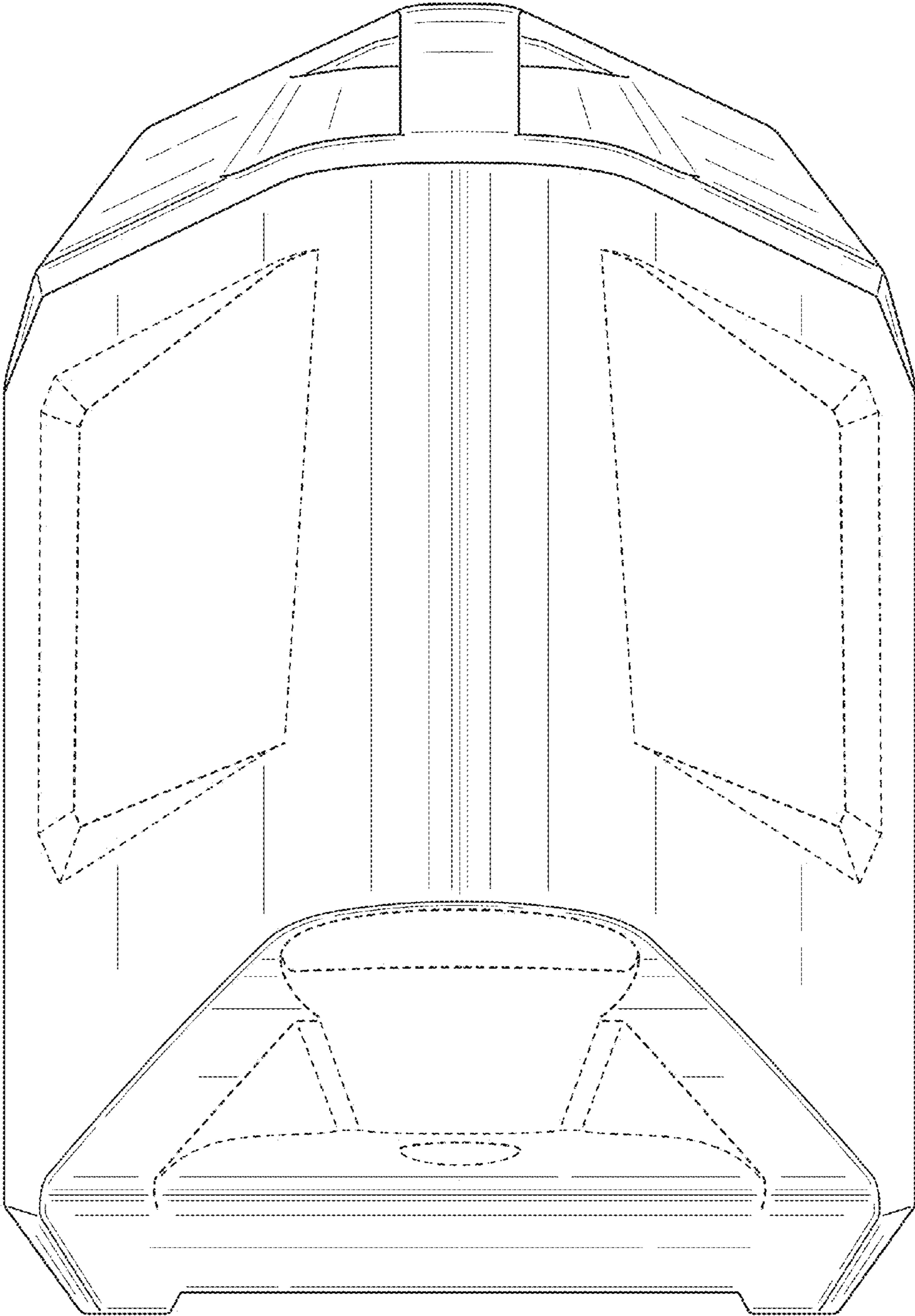


FIG. 3

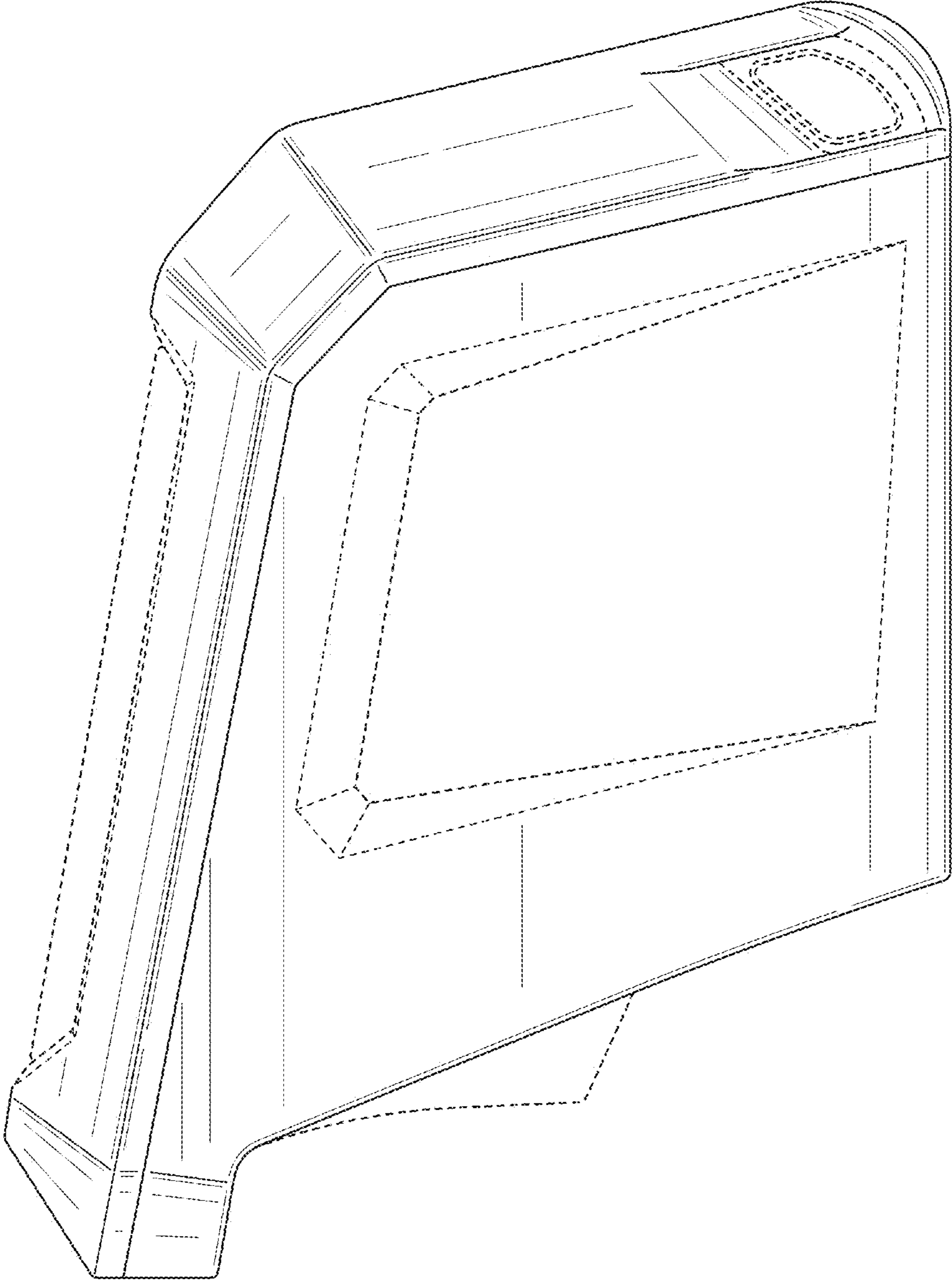


FIG. 4

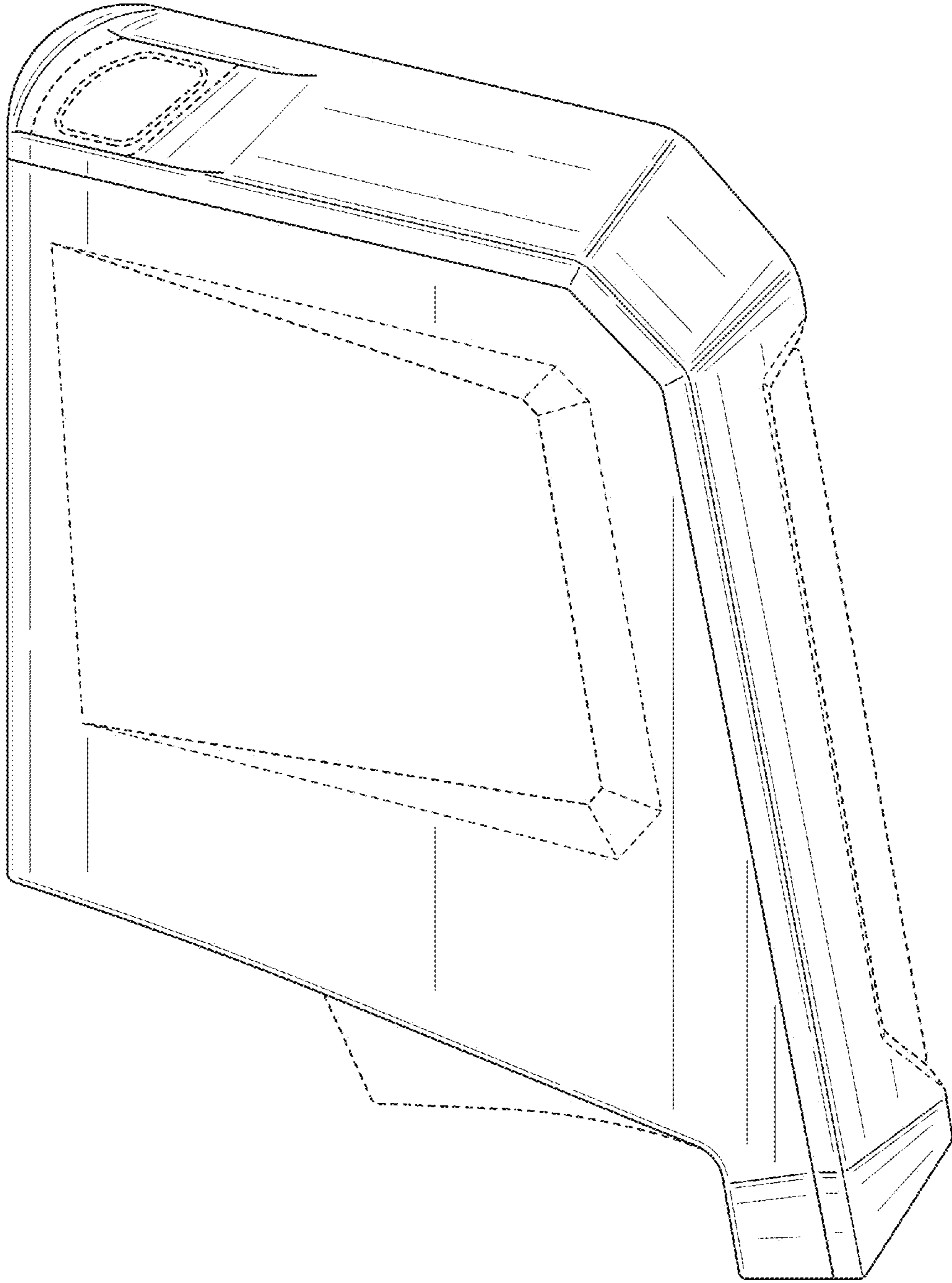


FIG. 5

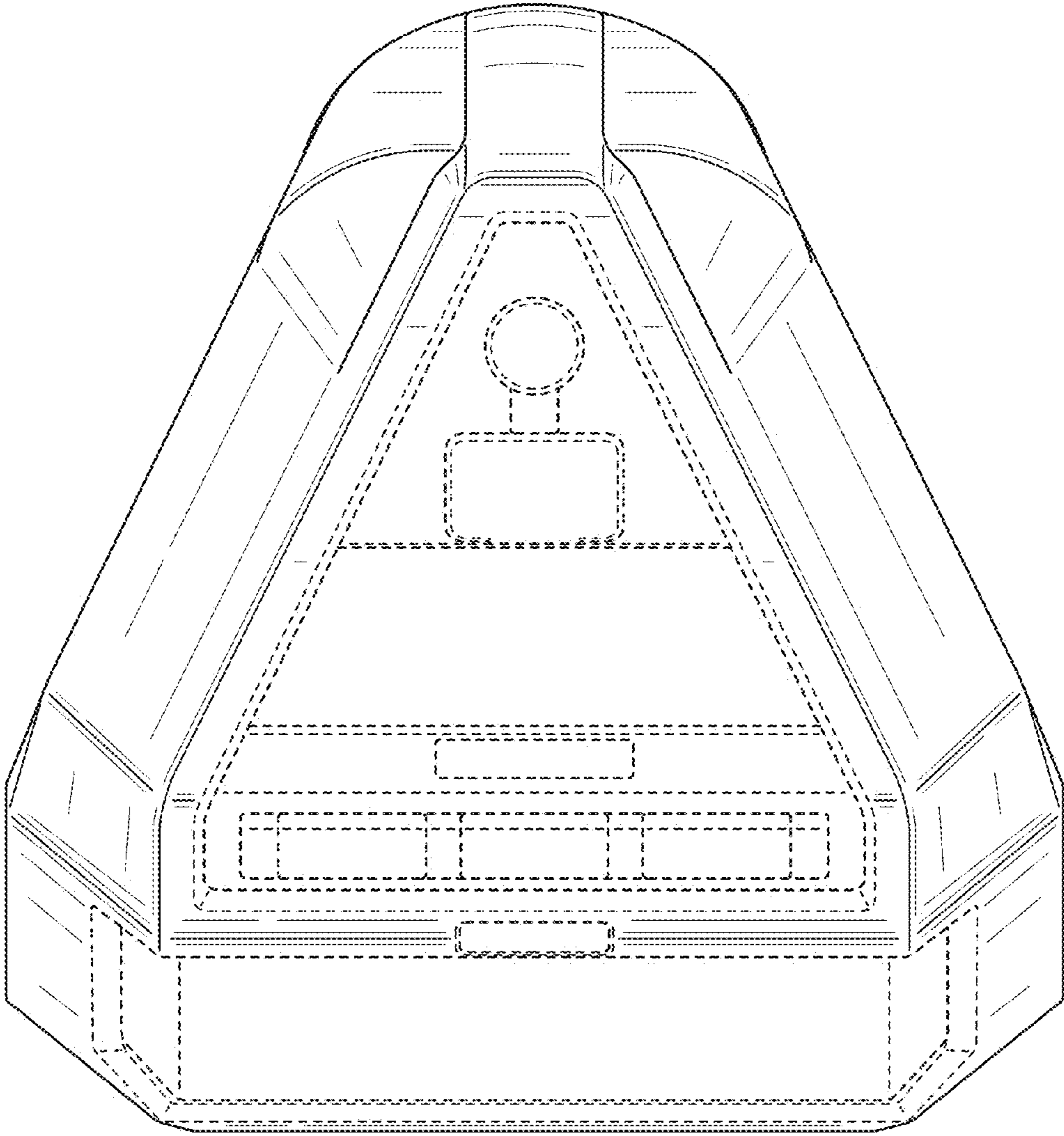


FIG. 6

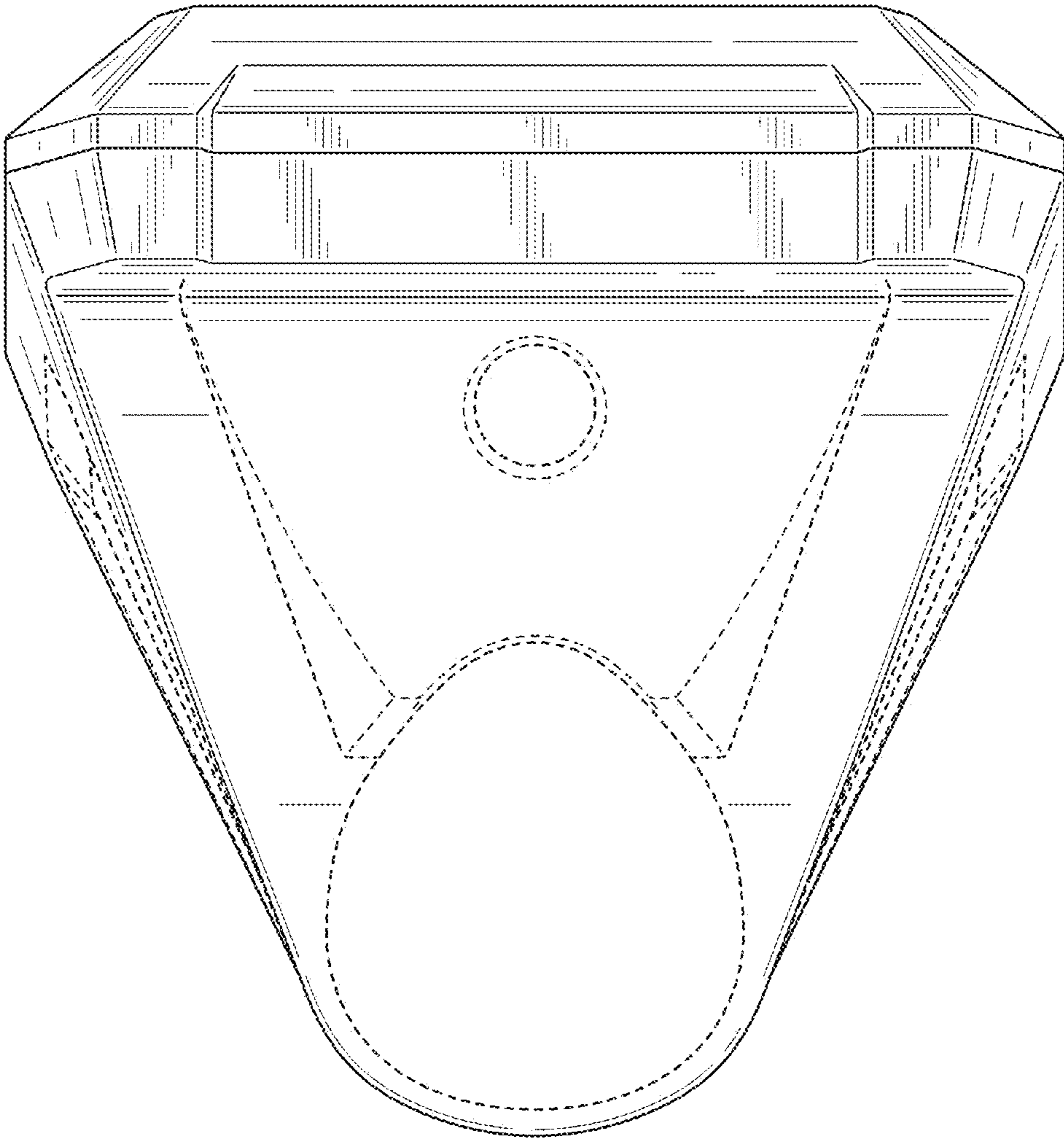


FIG. 7