



US00D741837S

(12) **United States Design Patent**  
**Fujioka**

(10) **Patent No.:** **US D741,837 S**  
(45) **Date of Patent:** **\*\* Oct. 27, 2015**

(54) **SOUND SYSTEM TOWER**

(71) Applicant: **Robb Fujioka**, Manhattan Beach, CA  
(US)

(72) Inventor: **Robb Fujioka**, Manhattan Beach, CA  
(US)

(73) Assignee: **Fuhu, Inc.**, El Segundo, CA (US)

(\*\*) Term: **14 Years**

(21) Appl. No.: **29/487,692**

(22) Filed: **Apr. 10, 2014**

(51) **LOC (10) Cl.** ..... **14-01**

(52) **U.S. Cl.**  
USPC ..... **D14/209.1**

(58) **Field of Classification Search**  
USPC ..... D14/204, 209.1, 211, 217, 221, 224,  
D14/224.1, 225, 227, 228; 181/143, 147,  
181/148, 150, 153, 157, 198, 199, 166,  
181/144; 381/300–303, 306, 332, 333, 336,  
381/345, 361–364, 370, 386–388; D6/350,  
D6/351, 674, 675.3, 648, 682  
CPC ..... H04R 9/06; H04R 1/24; H04R 11/02;  
H04R 2400/00

See application file for complete search history.

(56) **References Cited**

U.S. PATENT DOCUMENTS

D283,954 S *	5/1986	Daws	.....	D6/310
D440,335 S *	4/2001	Kuo	.....	D26/58
6,408,554 B1 *	6/2002	Przylucki	.....	40/661.08
6,484,429 B1 *	11/2002	Przylucki	.....	40/661.08
7,735,940 B2 *	6/2010	Chiu	.....	312/205
8,167,253 B2 *	5/2012	Smith	.....	248/125.3
D707,993 S *	7/2014	Grigonis, Jr.	.....	D6/675.3

\* cited by examiner

*Primary Examiner* — Prabhakar Deshmukh

(74) *Attorney, Agent, or Firm* — Steptoe & Johnson LLP

(57) **CLAIM**

The ornamental design for a sound system tower, as shown and described.

**DESCRIPTION**

FIG. 1—Top, front, right side perspective view of the present invention sound system tower;

FIG. 2—Front elevation view, the rear elevation view being a mirror image;

FIG. 3—Right side elevation view;

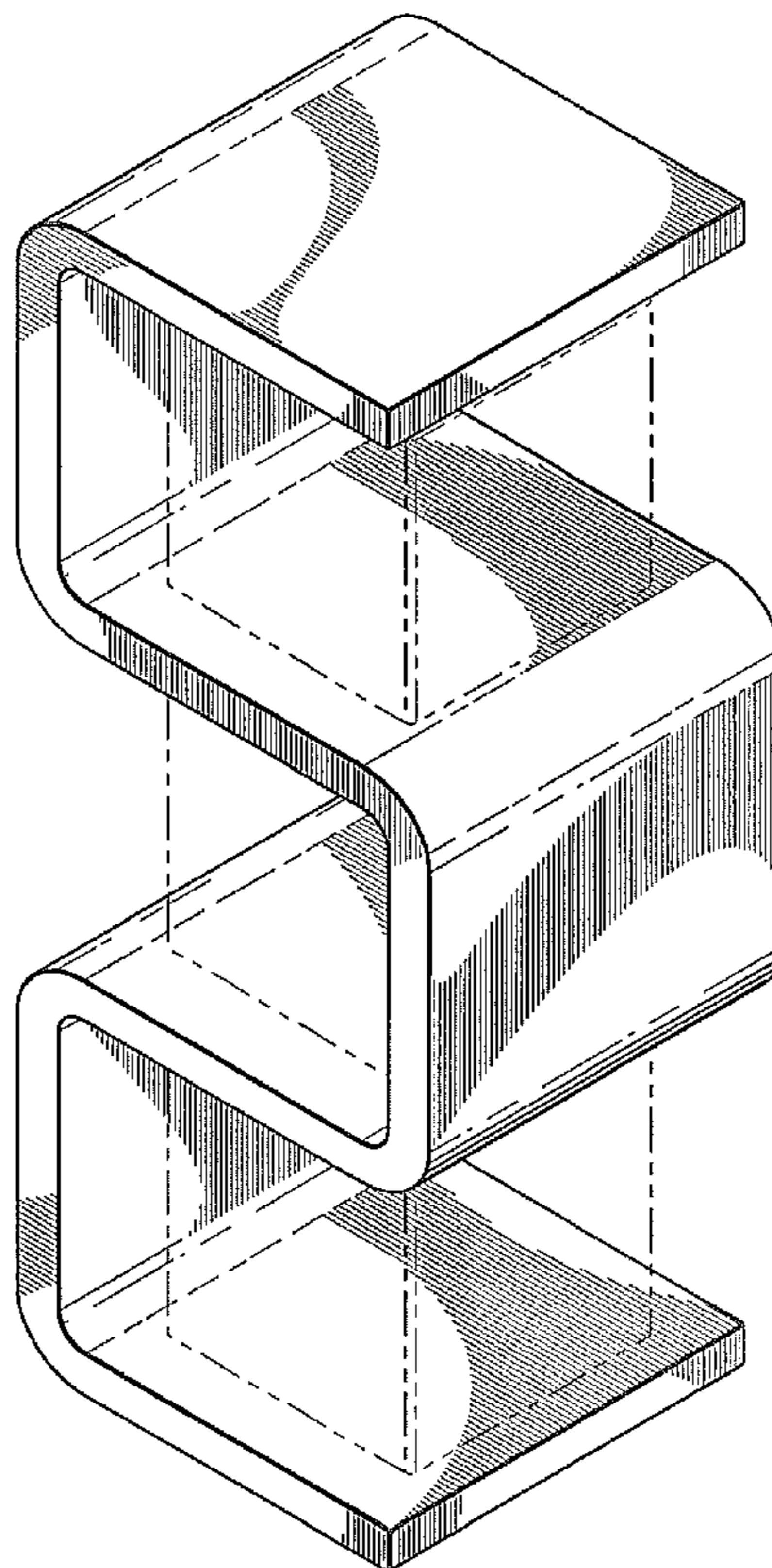
FIG. 4—Left side elevation view;

FIG. 5—Top plan view, the bottom plan view being identical; and,

FIG. 6—Front, right side, bottom perspective view of the device in an alternate orientation.

The broken lines illustrate environment and forms no part of the claimed design.

**1 Claim, 3 Drawing Sheets**



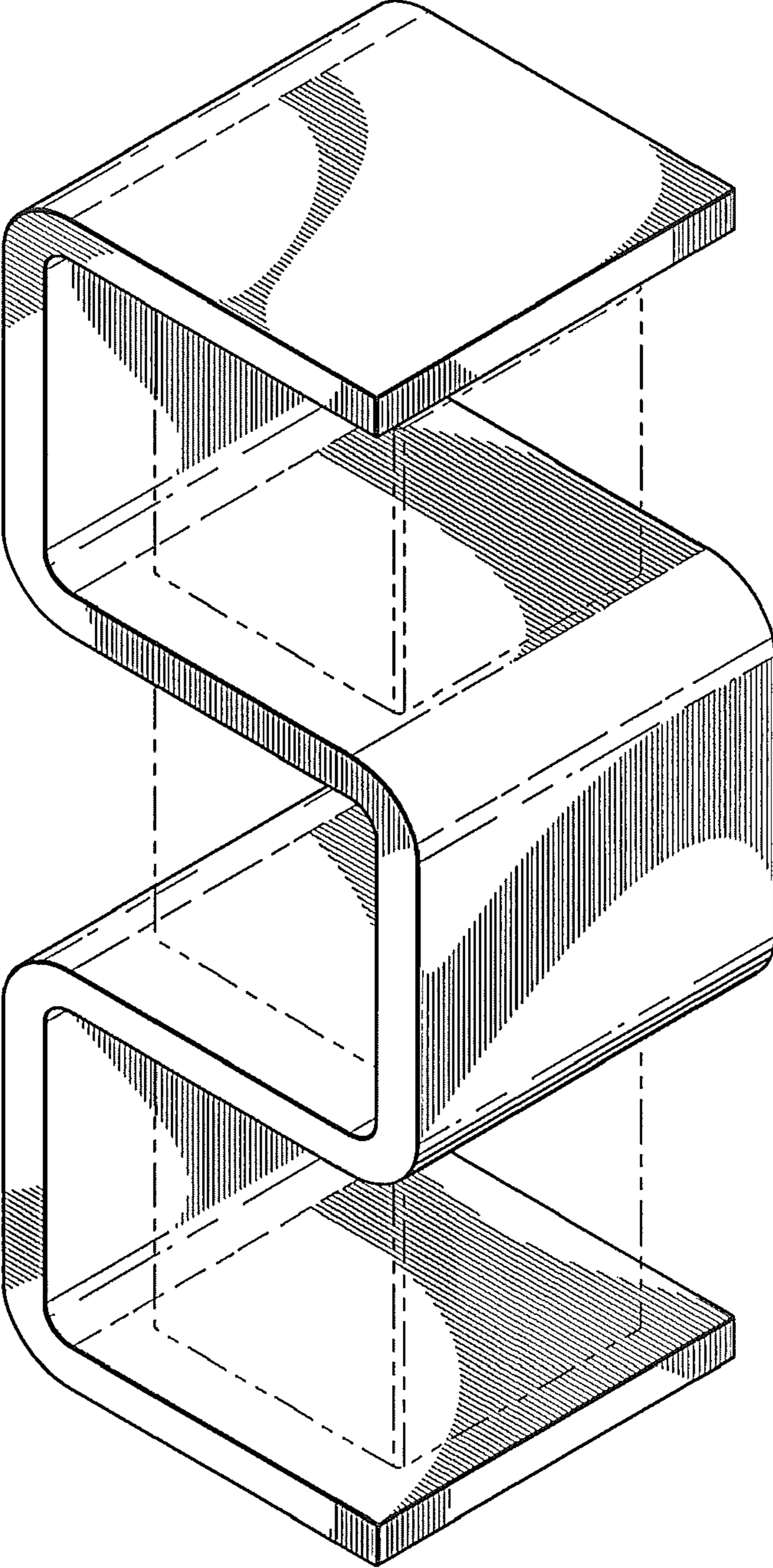


FIG. 1

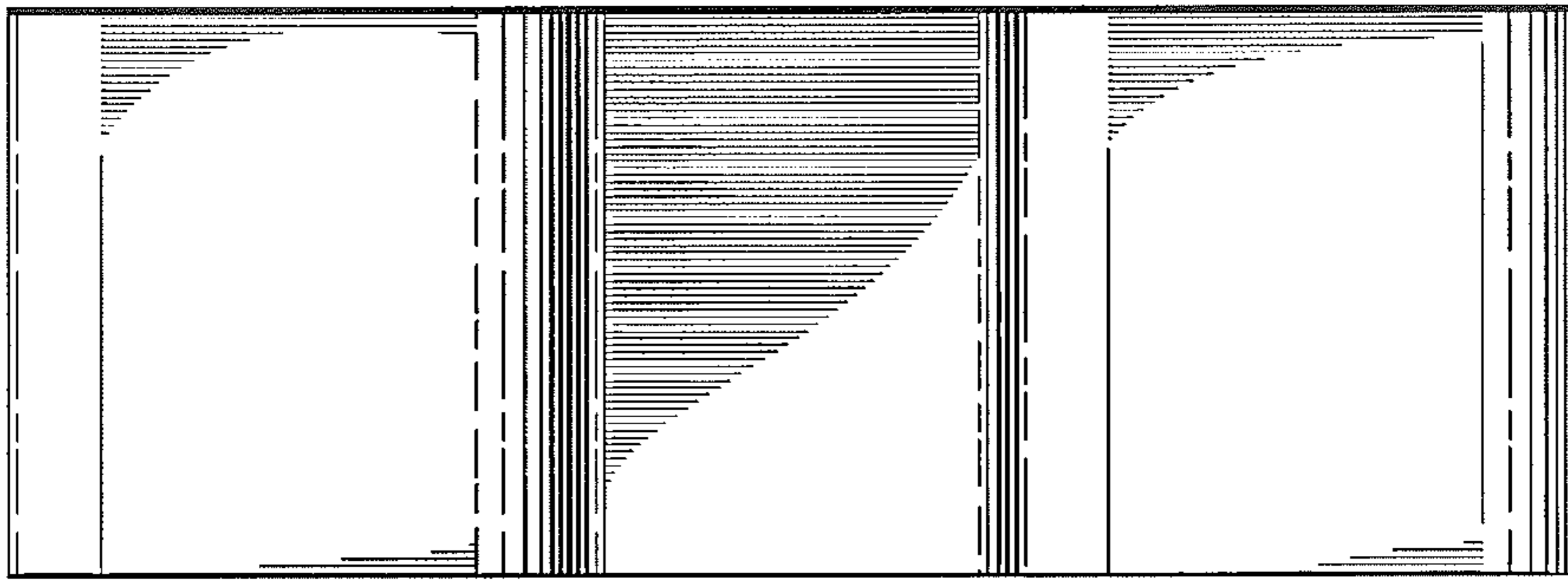


FIG. 4

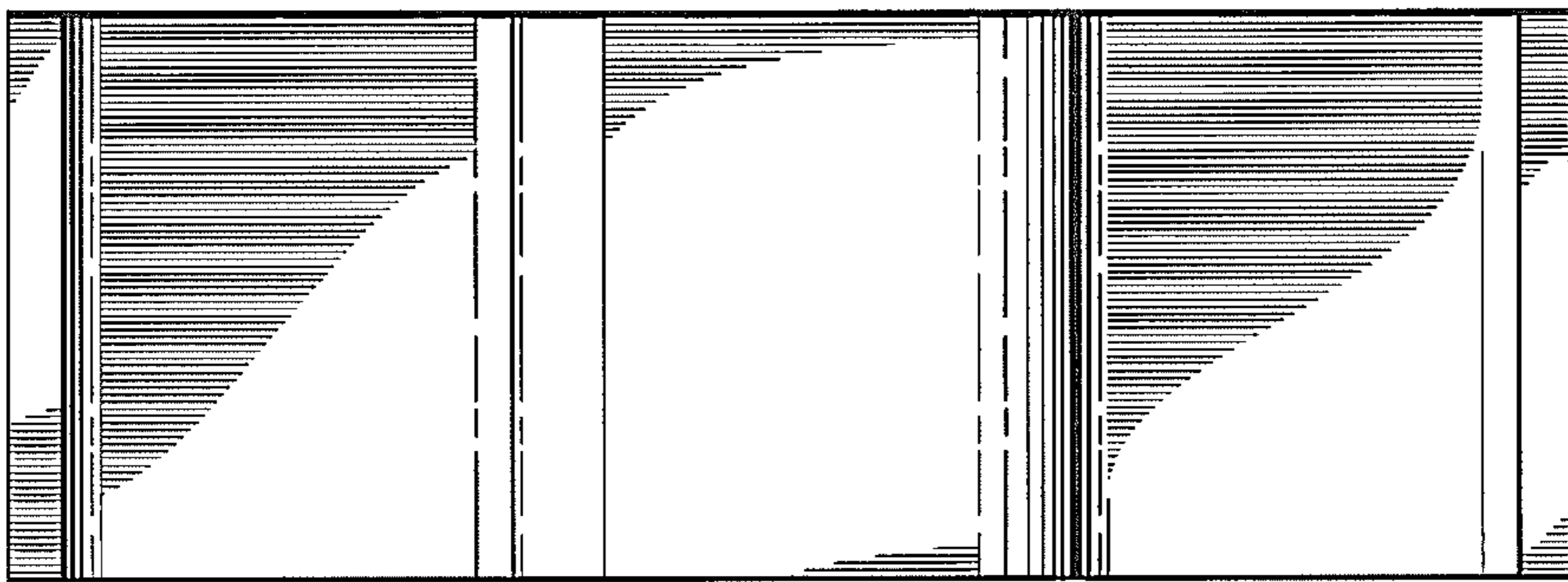


FIG. 3

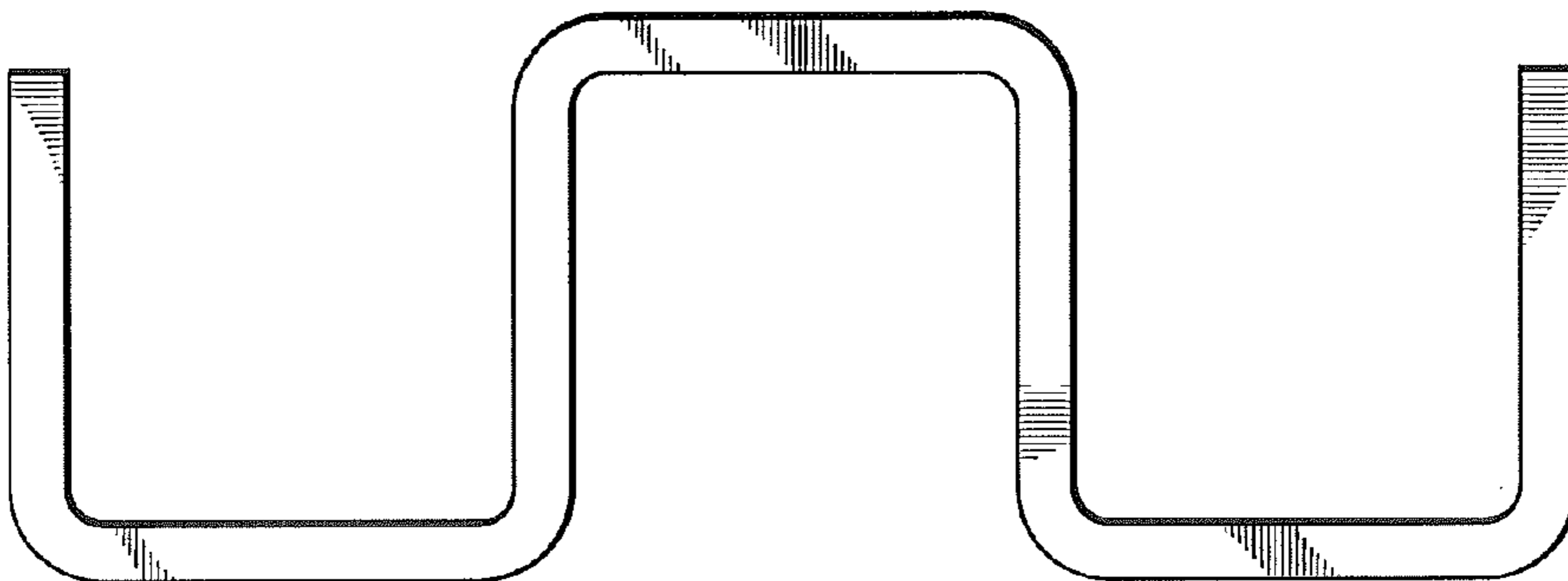


FIG. 2

