



US00D741835S

(12) **United States Design Patent**
Gundlach et al.

(10) **Patent No.:** **US D741,835 S**
(45) **Date of Patent:** **** Oct. 27, 2015**

(54) **SPEAKER**

(71) Applicant: **Emo Labs, Inc.**, Waltham, MA (US)

(72) Inventors: **John David Gundlach**, Acton, MA (US); **Daniel Hedges**, Stow, MA (US); **Stefan Bokaemper**, Newton, MA (US); **Terrence Keith Jones**, Sharon, MA (US); **David Logvin**, Lowell, MA (US)

(73) Assignee: **EMO Labs, Inc.**, Waltham, MA (US)

(**) Term: **14 Years**

(21) Appl. No.: **29/477,789**

(22) Filed: **Dec. 27, 2013**

(51) **LOC (10) Cl.** **14-01**

(52) **U.S. Cl.**
USPC **D14/204**

(58) **Field of Classification Search**
USPC D6/661.3, 668, 703.1; D14/133, 168, D14/171, 172, 204, 207, 209-214, 221, 265, D14/358, 371, 433, 500-504; D20/10, 15, D20/27, 99; D25/48.7, 48.8, 103, 139; D26/26, 56, 85, 118, 120; 181/144, 181/145, 198, 199; 369/75.11, 76; 381/300, 381/332-336, 345; 455/344, 350
CPC H04B 1/08; H04B 1/086; H04B 1/3883; H04B 1/3888; H04R 7/00; H04R 1/02; H01Q 1/243
See application file for complete search history.

(56) **References Cited**

U.S. PATENT DOCUMENTS

D128,141 S * 7/1941 Meyer D6/472
D183,357 S 8/1958 Lindenberg
2,862,069 A 11/1958 Marchand et al.
2,895,062 A 7/1959 Abbott
D188,326 S 7/1960 Sharp
3,057,961 A 10/1962 Turner

3,093,710 A 6/1963 Eyck
3,412,518 A * 11/1968 Waite 52/591.4
3,509,387 A 4/1970 Davies et al.
3,544,201 A 12/1970 Fowler et al.
4,028,504 A 6/1977 Massa
4,047,060 A 9/1977 Schafft

(Continued)

FOREIGN PATENT DOCUMENTS

CA 2396260 A1 7/2001
CA 2610483 A1 12/2006

(Continued)

OTHER PUBLICATIONS

International Search Report and Written Opinion mailed on Jul. 18, 2014, for International Patent Application No. PCT/US14/28345, filed Mar. 14, 2014 (17 pages).

(Continued)

Primary Examiner — Derrick Holland

Assistant Examiner — Janice Lim

(74) *Attorney, Agent, or Firm* — Brown Rudnick LLP

(57) **CLAIM**

The ornamental design for a speaker, as shown and described.

DESCRIPTION

FIG. 1 is a front perspective view of a speaker, showing our new design;

FIG. 2 is a front view thereof;

FIG. 3 is a back view thereof;

FIG. 4 is a left side view thereof;

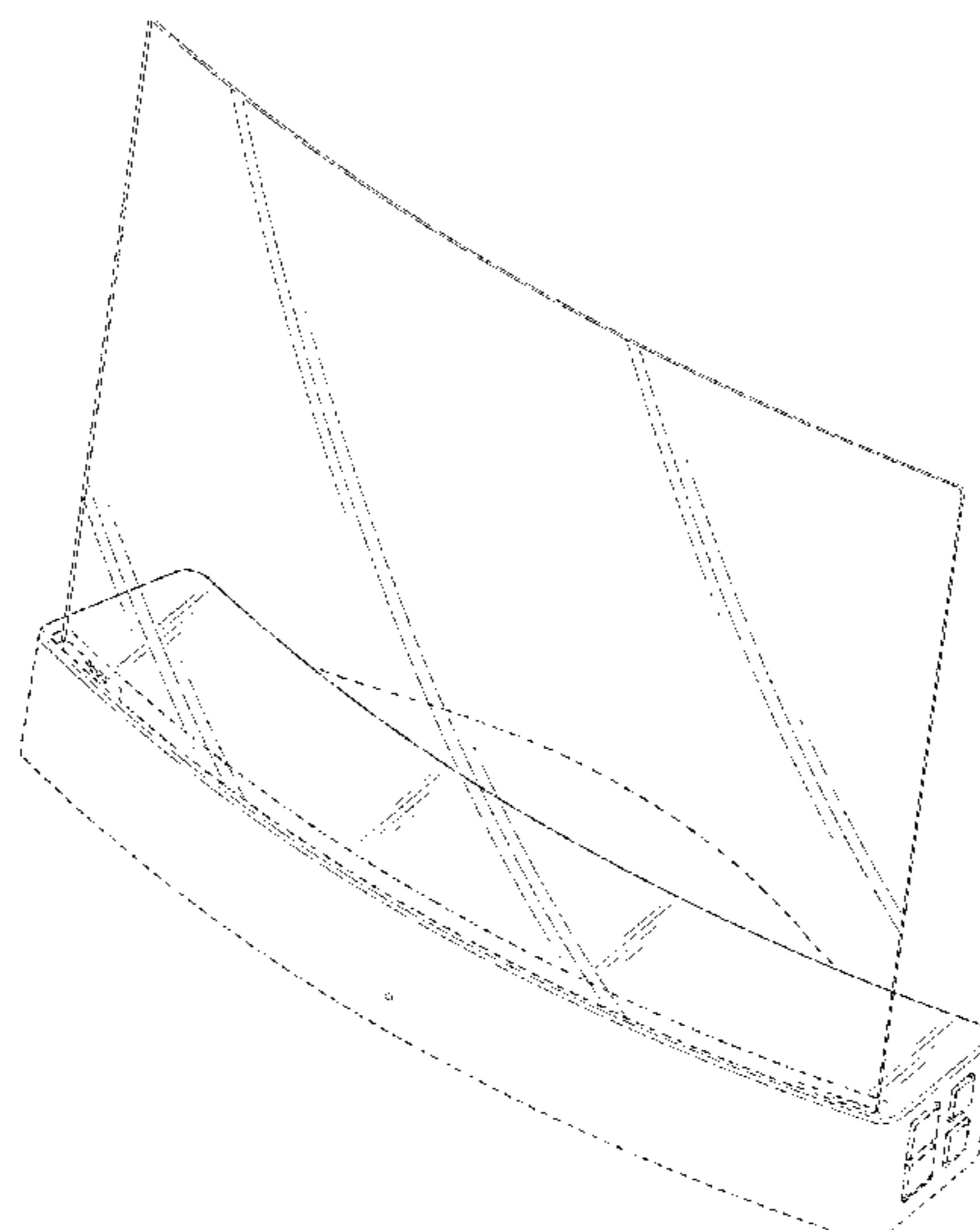
FIG. 5 is a right side view thereof;

FIG. 6 is a top plan view thereof; and,

FIG. 7 is a bottom plan view thereof.

The broken line portions of FIGS. 1-7 are included to show unclaimed subject matter only and form part of the claimed design.

1 Claim, 7 Drawing Sheets



(56)

References Cited

U.S. PATENT DOCUMENTS

4,056,742 A	11/1977	Tibbetts	5,977,688 A	11/1999	Utsunomiya et al.
4,088,915 A	5/1978	Kodama	6,003,766 A	12/1999	Azima et al.
4,140,203 A	2/1979	Niguchi et al.	6,023,123 A	2/2000	Petiet
4,170,742 A	10/1979	Itagaki et al.	6,028,389 A	2/2000	Bernstein
4,181,865 A	1/1980	Kohyama	6,031,926 A	2/2000	Azima et al.
4,186,323 A	1/1980	Cragg et al.	6,058,196 A	5/2000	Heron
4,198,550 A	4/1980	Matsuda et al.	6,060,811 A	5/2000	Fox et al.
4,216,401 A	8/1980	Wagner	6,061,461 A	5/2000	Paddock
4,241,313 A	12/1980	Takehara	6,064,746 A	5/2000	Nakamura et al.
4,291,205 A	9/1981	Kamon et al.	6,144,746 A	11/2000	Azima et al.
4,297,185 A	10/1981	Chevreur et al.	6,151,402 A	11/2000	Azima et al.
4,315,557 A	2/1982	Nakaya et al.	6,181,797 B1	1/2001	Parrella et al.
4,352,961 A	10/1982	Kumada et al.	6,188,775 B1	2/2001	Azima et al.
4,454,386 A	6/1984	Koyano	6,195,440 B1	2/2001	Warnaka et al.
4,503,564 A	3/1985	Edelman et al.	6,198,831 B1	3/2001	Azima et al.
4,571,553 A	2/1986	Yokoyama	6,215,881 B1	4/2001	Azima et al.
4,573,189 A	2/1986	Hall	6,215,882 B1	4/2001	Heron
4,578,613 A	3/1986	Posthuma de Boer et al.	6,215,884 B1	4/2001	Parrella et al.
4,593,160 A	6/1986	Nakamura	6,218,766 B1	4/2001	Warnaka et al.
4,607,145 A	8/1986	Ravinet et al.	6,243,473 B1	6/2001	Azima et al.
4,618,814 A	10/1986	Kato et al.	6,247,551 B1	6/2001	Heron
4,625,138 A	11/1986	Ballato	6,278,790 B1	8/2001	Davis et al.
4,625,259 A	11/1986	Krechmer et al.	6,294,859 B1	9/2001	Jaenker
4,638,207 A	1/1987	Radice	D449,590 S	10/2001	Lewis
4,680,800 A	7/1987	Bank et al.	6,386,315 B1	5/2002	Roy et al.
4,742,499 A	5/1988	Butler	6,427,017 B1	7/2002	Toki
4,751,419 A	6/1988	Takahata	6,437,485 B1	8/2002	Johansson
4,807,294 A	2/1989	Iwata et al.	6,472,797 B1	10/2002	Kishimoto
4,812,698 A	3/1989	Chida et al.	6,504,286 B1	1/2003	Porat et al.
4,847,904 A	7/1989	McShane	6,522,460 B2	2/2003	Bonnedal et al.
4,864,624 A	9/1989	Tichy	6,522,760 B2	2/2003	Azima et al.
4,899,390 A	2/1990	Takewa et al.	D472,543 S	4/2003	Shintani
4,969,197 A	11/1990	Takaya	6,570,299 B2	5/2003	Takeshima et al.
4,979,219 A	12/1990	Lin	6,617,765 B1	9/2003	Lagier et al.
4,992,692 A	2/1991	Dias	6,708,797 B2	3/2004	Long et al.
4,997,058 A	3/1991	Bertagni	6,720,708 B2	4/2004	Athanas
5,031,222 A	7/1991	Takaya	6,720,709 B2	4/2004	Porat et al.
5,081,683 A	1/1992	Torgeson	6,721,436 B1	4/2004	Bertagni et al.
5,115,472 A	5/1992	Park et al.	6,741,710 B1	5/2004	Takeshima et al.
5,193,119 A	3/1993	Tontini et al.	6,785,393 B2	8/2004	Lipponen et al.
5,265,165 A	11/1993	Rauch	6,797,396 B1	9/2004	Liu et al.
5,283,835 A	2/1994	Athanas	6,819,769 B1	11/2004	Zimmermann
5,368,917 A	11/1994	Rehfeld et al.	6,844,657 B2	1/2005	Miller et al.
5,388,160 A	2/1995	Hashimoto et al.	6,845,166 B2	1/2005	Hara et al.
5,392,000 A	2/1995	Gillig	D514,090 S *	1/2006	Carbone et al. D14/209.1
5,428,832 A	6/1995	Nohara et al.	D516,059 S	2/2006	Murphy
5,473,214 A	12/1995	Hildebrand	7,009,326 B1	3/2006	Matsuo et al.
5,524,058 A	6/1996	Moseley	7,010,143 B2	3/2006	Kam
5,526,421 A	6/1996	Berger et al.	7,015,624 B1	3/2006	Su et al.
5,575,827 A	11/1996	Piniecki	7,020,302 B2	3/2006	Konishi et al.
5,608,282 A	3/1997	Wilber et al.	D520,493 S	5/2006	Amsel
5,615,270 A	3/1997	Miller et al.	7,038,356 B2	5/2006	Athanas
5,638,454 A	6/1997	Jones et al.	7,039,206 B2	5/2006	Mellow
5,638,456 A	6/1997	Conley et al.	7,050,600 B2	5/2006	Saiki et al.
5,642,332 A	6/1997	Chang et al.	7,103,190 B2	9/2006	Johnson et al.
5,652,801 A	7/1997	Paddock	7,120,263 B2	10/2006	Azima et al.
5,676,612 A	10/1997	Schellekens et al.	7,151,837 B2	12/2006	Bank et al.
5,684,689 A	11/1997	Hahn	7,174,025 B2	2/2007	Azima et al.
5,684,884 A	11/1997	Nakaya et al.	7,194,098 B2	3/2007	Azima et al.
5,705,878 A	1/1998	Lewis et al.	7,212,648 B2	5/2007	Saiki et al.
5,711,058 A	1/1998	Frey	7,236,602 B2	6/2007	Gustavsson
5,727,076 A	3/1998	Paddock	D548,796 S *	8/2007	Sachnoff D20/43
5,736,808 A	4/1998	Szilagyi et al.	7,274,855 B2	9/2007	Nevo et al.
5,751,827 A	5/1998	Takahashi	7,339,736 B2	3/2008	Trapani et al.
5,767,612 A	6/1998	Takeuchi et al.	D576,683 S *	9/2008	Frey D20/10
5,773,102 A	6/1998	Rehfeld	7,536,211 B2	5/2009	Saiki et al.
5,780,958 A	7/1998	Strugach et al.	7,565,949 B2	7/2009	Tojo
5,802,195 A	9/1998	Regan et al.	7,583,811 B2	9/2009	Wada
5,825,902 A	10/1998	Fujishima	7,624,839 B1	12/2009	Graber
5,828,768 A	10/1998	Eatwell et al.	7,639,826 B1	12/2009	Azima et al.
5,856,956 A	1/1999	Toki	7,788,808 B1	9/2010	Ptak
5,867,302 A	2/1999	Fleming	7,792,319 B2	9/2010	Kimura et al.
5,901,231 A	5/1999	Parrella et al.	7,884,529 B2	2/2011	Johnson et al.
5,965,249 A	10/1999	Sutton et al.	7,889,601 B2	2/2011	Goodmote et al.
5,973,441 A	10/1999	Lo et al.	7,903,091 B2	3/2011	Lee et al.
			D640,233 S	6/2011	Fathollahi
			8,033,674 B1	10/2011	Coleman et al.
			8,068,635 B2	11/2011	Carlson et al.
			D650,016 S *	12/2011	Yi et al. D20/15

(56)

References Cited

U.S. PATENT DOCUMENTS

8,073,162 B2 12/2011 Ando
 D659,674 S 5/2012 Fathollahi
 8,189,851 B2 5/2012 Booth et al.
 D662,649 S * 6/2012 Watson-Levack D26/118
 D671,524 S 11/2012 Fathollahi
 8,348,407 B2 1/2013 Matsufuji et al.
 8,395,371 B2 3/2013 Govil
 D681,008 S 4/2013 Fathollahi
 8,699,729 B2 4/2014 Fathollahi
 8,798,310 B2 8/2014 Booth et al.
 D724,555 S 3/2015 Cha et al.
 2001/0026626 A1 10/2001 Athanas
 2001/0038701 A1 11/2001 Corynen
 2001/0052627 A1 12/2001 Takahashi et al.
 2002/0001392 A1 1/2002 Isono et al.
 2002/0044668 A1 4/2002 Azima
 2002/0153194 A1 10/2002 Pocock et al.
 2003/0161479 A1 8/2003 Yang et al.
 2004/0037441 A1 2/2004 Konishi et al.
 2004/0189151 A1 9/2004 Athanas
 2004/0228501 A1 11/2004 Saiki et al.
 2004/0240687 A1 12/2004 Graetz
 2005/0053257 A1 3/2005 Johnson et al.
 2005/0069430 A1 3/2005 Sugahara
 2005/0180592 A1 8/2005 Miura
 2005/0232435 A1 10/2005 Stothers et al.
 2005/0288039 A1 12/2005 Liou
 2006/0066803 A1 3/2006 Aylward et al.
 2006/0120542 A1 6/2006 Lee et al.
 2006/0269087 A1 11/2006 Johnson et al.
 2006/0290236 A1 12/2006 Ikehashi
 2007/0000720 A1 1/2007 Noro et al.
 2007/0003100 A1 1/2007 Liu
 2007/0007859 A1 1/2007 Weber
 2007/0009208 A1 1/2007 Guenter et al.
 2007/0092088 A1 4/2007 Chang
 2007/0133837 A1 6/2007 Suzuki et al.
 2007/0165886 A1 7/2007 Topliss et al.
 2007/0165887 A1 7/2007 Shin et al.
 2007/0223714 A1 9/2007 Nishikawa
 2007/0243364 A1 10/2007 Maekawa et al.
 2007/0260019 A1 11/2007 Ohme et al.
 2007/0297620 A1 12/2007 Choy
 2008/0007829 A1 1/2008 Mizushima et al.
 2008/0138541 A1 6/2008 Moto et al.
 2008/0138543 A1 6/2008 Hoshino et al.
 2008/0273720 A1 11/2008 Johnson et al.
 2009/0136690 A1 5/2009 Sasada
 2009/0190791 A1 7/2009 Unruh et al.
 2009/0200896 A1 8/2009 Morris et al.
 2009/0285431 A1 11/2009 Carlson et al.
 2009/0317592 A1 12/2009 Yoshitomi et al.
 2010/0111351 A1 5/2010 Berkhoff
 2010/0224437 A1 9/2010 Booth et al.
 2010/0322455 A1 12/2010 Carlson
 2011/0026757 A1 2/2011 Takahashi et al.
 2011/0033074 A1 2/2011 Chang et al.
 2011/0044476 A1 2/2011 Burlingame et al.
 2011/0249858 A1 10/2011 Lee et al.
 2011/0274283 A1 11/2011 Athanas
 2012/0148084 A1 6/2012 Fathollahi
 2012/0186903 A1 7/2012 Booth et al.
 2012/0230524 A1 9/2012 Chang et al.
 2014/0079255 A1 3/2014 Ando

FOREIGN PATENT DOCUMENTS

EP 1395083 A2 3/2004
 FR 2649575 A1 1/1991
 GB 1369241 A 10/1974
 JP 52045923 4/1977
 JP 5615182 7/1979
 JP 57181298 11/1982
 JP 58034699 3/1983

JP 58182999 10/1983
 JP 63176098 7/1988
 JP 63176099 7/1988
 JP 63250995 10/1988
 JP 64029097 2/1989
 JP 334391 4/1991
 JP 6217296 8/1994
 JP 8102988 4/1996
 JP 9298798 11/1997
 JP 10094093 4/1998
 JP 10327491 12/1998
 JP 11215578 8/1999
 JP 2000350285 A 12/2000
 JP 2000356808 A 12/2000
 JP 2001500258 A 1/2001
 JP 2001503552 A 3/2001
 JP 2001320798 A 11/2001
 JP 2003529976 A 10/2003
 JP 2004147286 A 5/2004
 JP 2005105892 A 4/2005
 JP 2008514867 A 5/2008
 JP 4140999 B2 8/2008
 JP 2010283867 A 12/2010
 JP 2012134998 A 7/2012
 JP 5122793 B2 1/2013
 KR 2008-0080258 A 9/2008
 KR 10-1260543 5/2013
 WO 96/35313 A1 11/1996
 WO 97/09844 A1 3/1997
 WO 97/09846 A1 3/1997
 WO 98/10252 A2 3/1998
 WO 98/28942 A1 7/1998
 WO 01/52400 A1 7/2001
 WO 2004/030406 A1 4/2004
 WO 2006/130731 A2 12/2006
 WO 2006/130782 A2 12/2006
 WO 2009/067669 A1 5/2009
 WO 2009/151892 A1 12/2009

OTHER PUBLICATIONS

Backman, 1999, "Improving Piezoelectric Speakers with Feedback," Proc. AES Convention 106, 10 pages.
 Beck, 2006, "Hysteresis Characterization Using Charge Feedback Control for a LIPCA Device," Proc. SPIE Int. Soc. For Opt. Eng. 6170, 10 pages.
 Furutani, 1998, "Displacement control of piezoelectric element by feedback of induced charge," Nanotechnology 9:93-98.
 Decision of Dismissal of Amendment in Japanese Patent Application No. 2007-066645, dated Sep. 27, 2011, 6 pages.
 EPO Search Report for European App No. 01901776.3, dated Nov. 2, 2005, 5 pages.
 EPO Supplementary Partial Search Report for European App No. 01901776.3, dated Apr. 26, 2005, 6 pages.
 EPO Supplementary Search Report for European App No. 01901776.3, dated Aug. 3, 2005, 6 pages.
 International Preliminary Examination Report for International Patent App PCT/US01/00349, dated Nov. 22, 2002, 4 pages.
 International Preliminary Report on Patentability for International Patent App PCT/US06/21189, dated Dec. 6, 2007, 7 pages.
 International Search Report and Written Opinion for International Patent App PCT/US01/00349, dated Apr. 30, 2001, 6 pages.
 International Search Report and Written Opinion for International Patent App PCT/US06/21189, dated Nov. 21, 2006, 8 pages.
 International Search Report and Written Opinion for International Patent App PCT/US08/84359, dated Jan. 27, 2009, 6 pages.
 International Search Report and Written Opinion for International Patent App PCT/US10/45628, dated Oct. 6, 2010, 10 pages.
 International Search Report and Written Opinion for International Patent App PCT/US11/44564, dated Oct. 31, 2011, 9 pages.
 International Search Report for International Patent App PCT/GB97/03090, dated Jun. 9, 1998, 5 pages.
 Azom.com, A to Z of Materials, Cellulose Acetate—CA, added May 7, 2001, available at <http://azom.com/article.aspx?ArticleID=383>, retrieved Mar. 16, 2012, 2 pages.

(56)

References Cited

OTHER PUBLICATIONS

Edmund Optics Worldwide, "Techspec Linear Polarizing Laminated Film," available at <http://www.edmundoptics.com/onlinecatalog/displayproduct.cfm?productID-1912>, retrieved Dec. 3, 2009, 2 pages.

Harris, 1997, "The distributed-mode loudspeaker (DML) as a broad-band acoustic radiator," Audio Engineering Society Preprint 4526 (D-6); Presented at the 103rd Convention Sep. 26-29, 1997, New York, 5 pages.

International Standard, 2006, "Adhesives—Peel test for a flexible-bonded-to-rigid test specimen assembly—Part I: 90 degree peel" ISO Reference No. ISO/FDIS 8510-1:2006 (E), 14 pages.

Kugel, "Bimorph-based piezoelectric air acoustic transducer: model," *Sensors and Actuators A: Physical* 69(3): 234-42.

PolymerProcessing.com, Poly(ethylene terephthalate), copyrighted 2000, 2001, available at <http://www.polymerprocessing.com/polymers/PET.html>, retrieved Mar. 16, 2012, 2 pages.

The Engineering Toolbox, Elastic Properties and Young Modulus for some Materials, available at http://www.engineeringtoolbox.com/young-modulus-d_417.html, retrieved Mar. 16, 2012, 4 pages.

The Physics Classroom, "Light Waves and Color—Lesson 1, How do we know light behaves as a wave?" available at <http://www.physicsclassroom.com/Class/light/U12L1a.cfm>, retrieved Dec. 3, 2009, 2 pages.

* cited by examiner

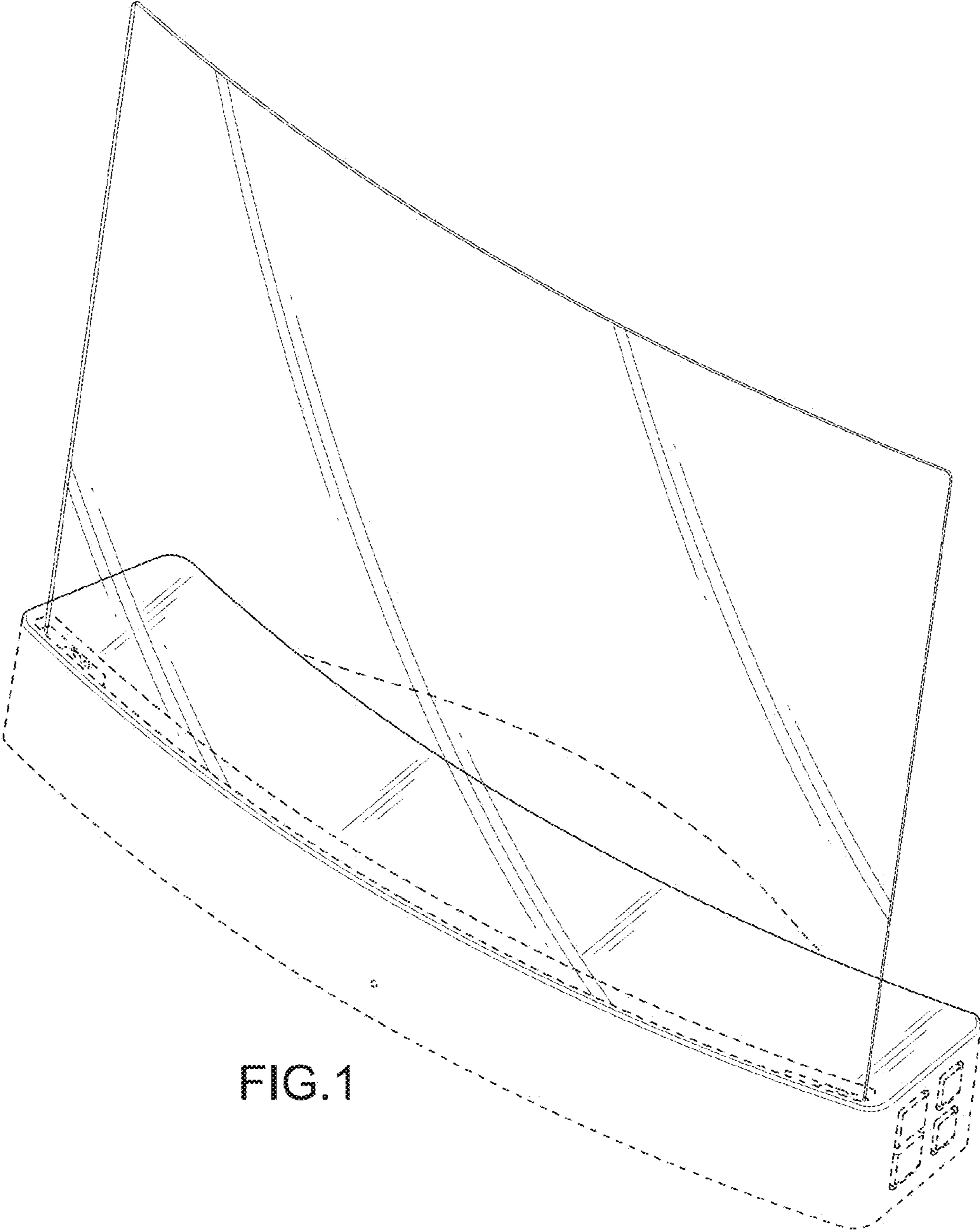


FIG. 1

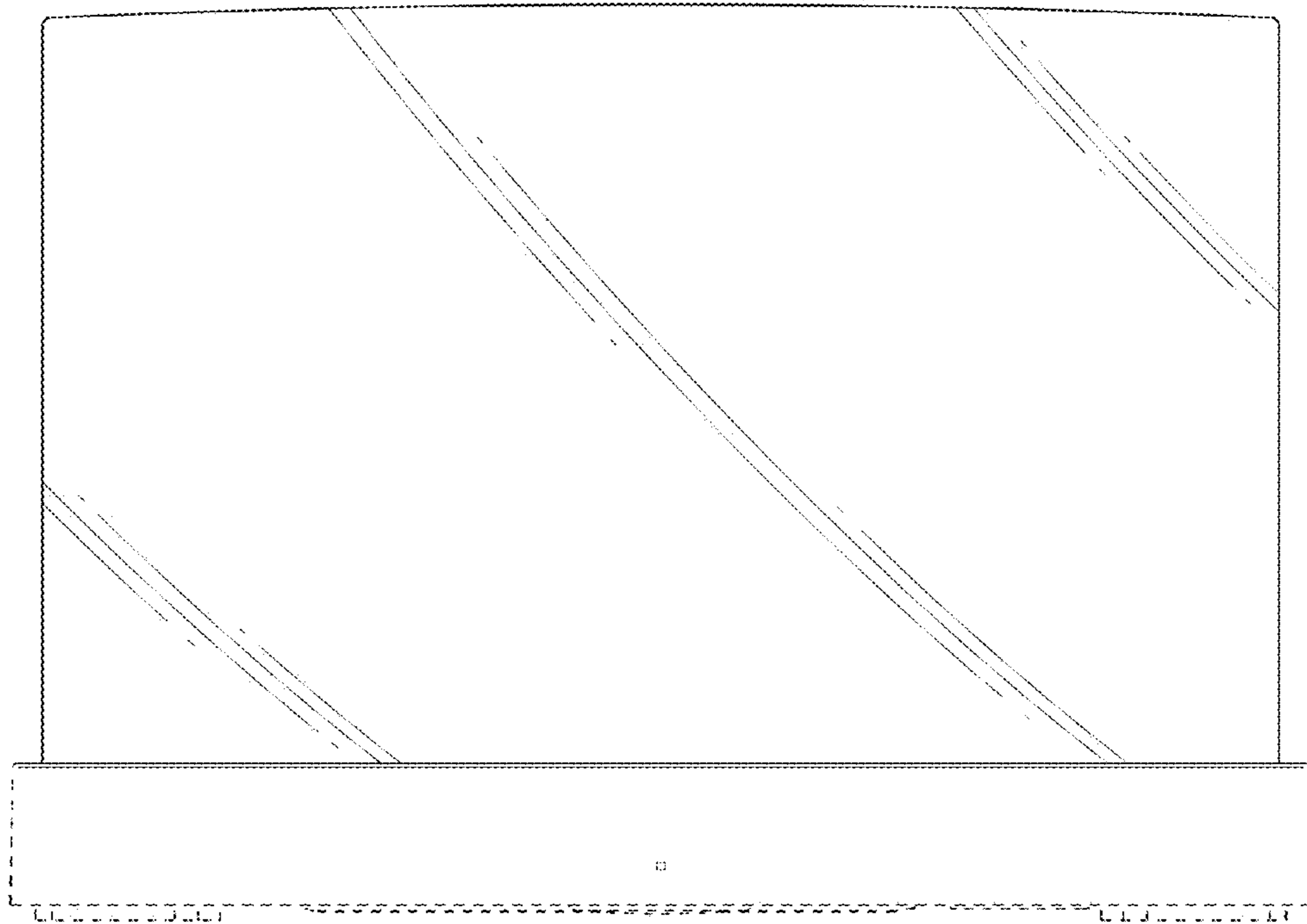


FIG.2

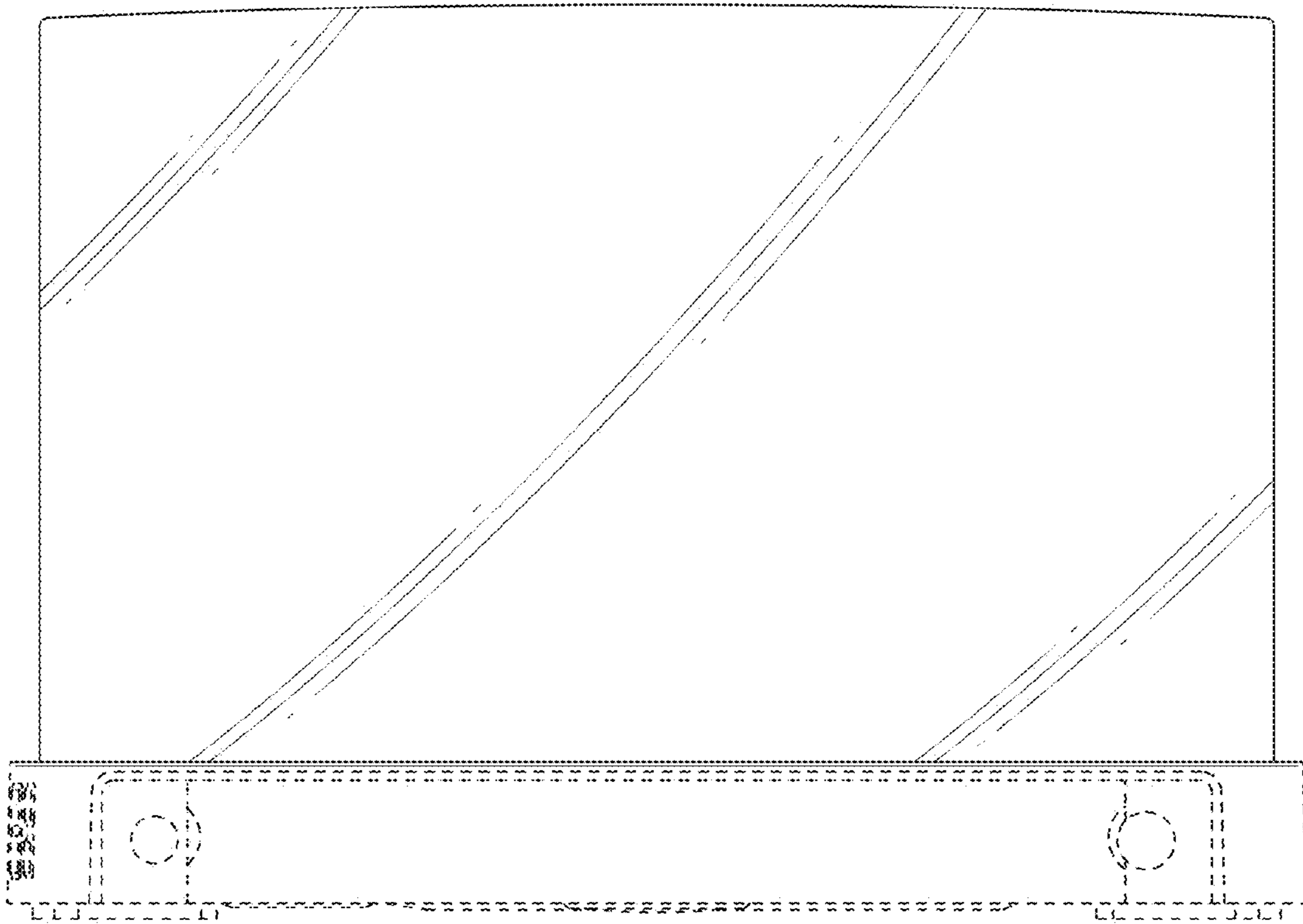


FIG.3

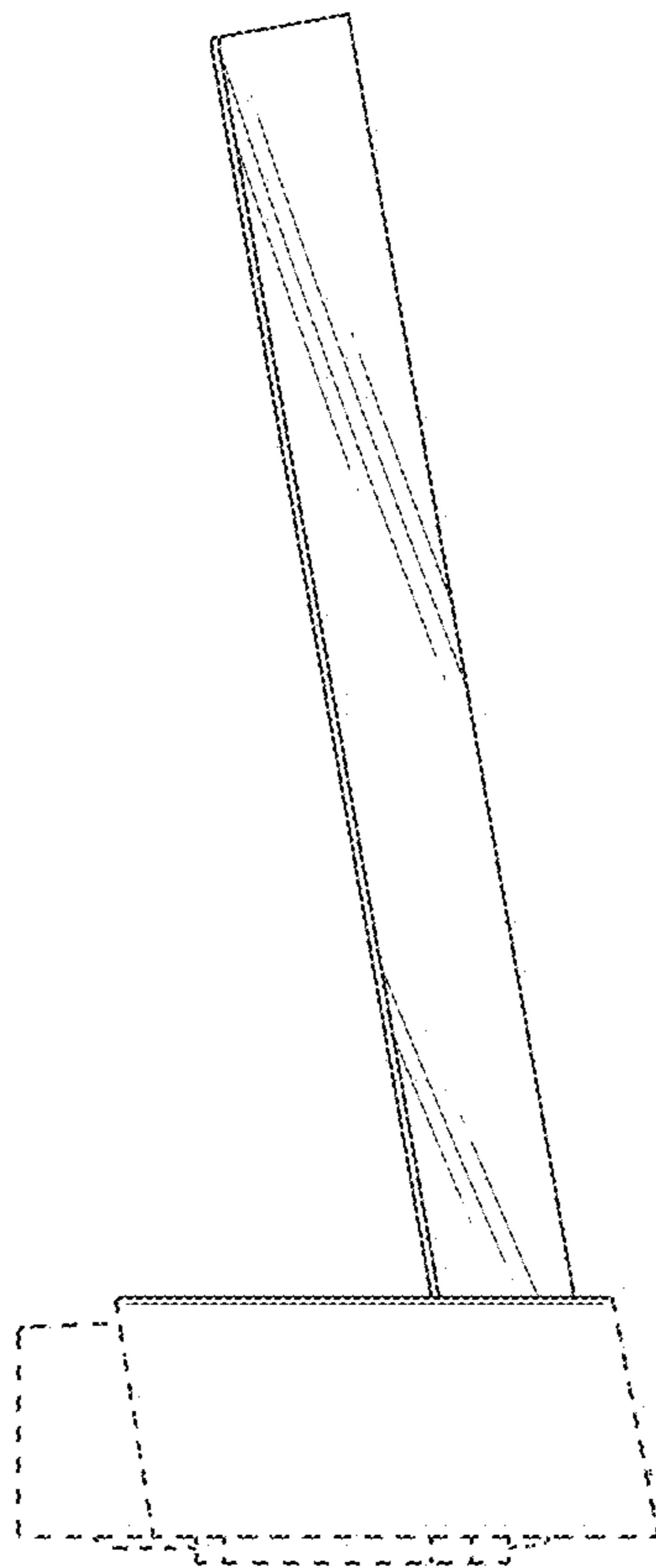


FIG.4

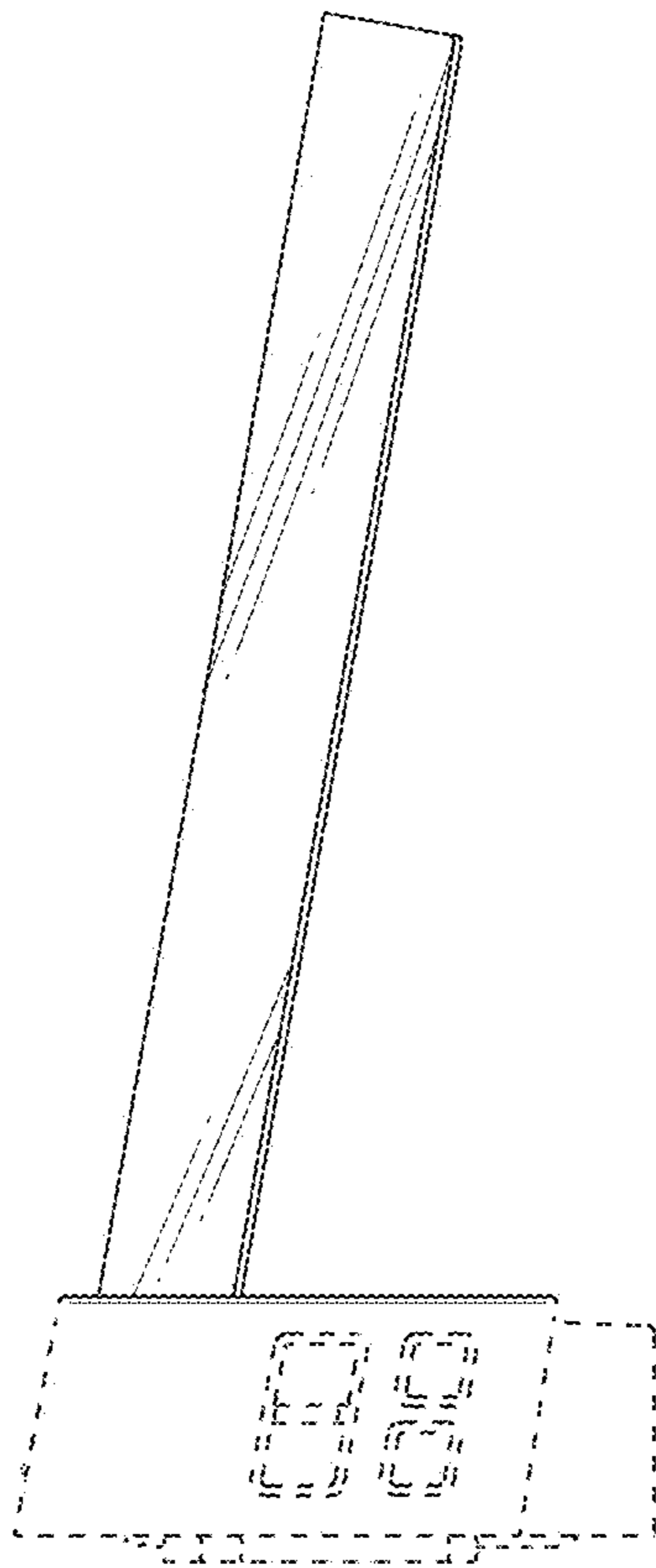


FIG.5

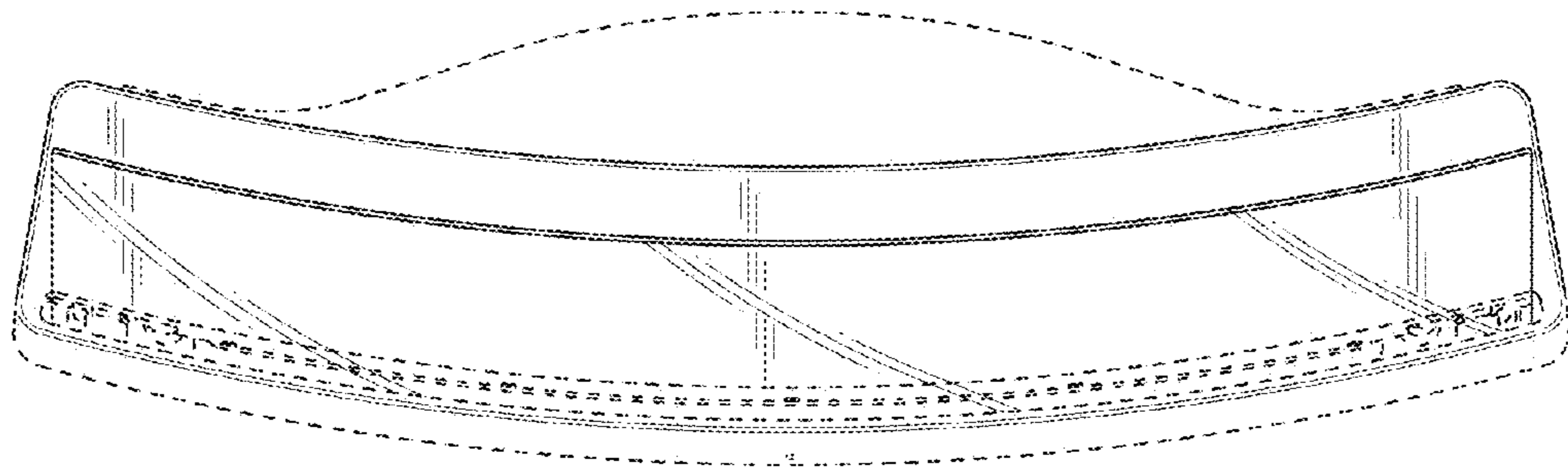


FIG.6

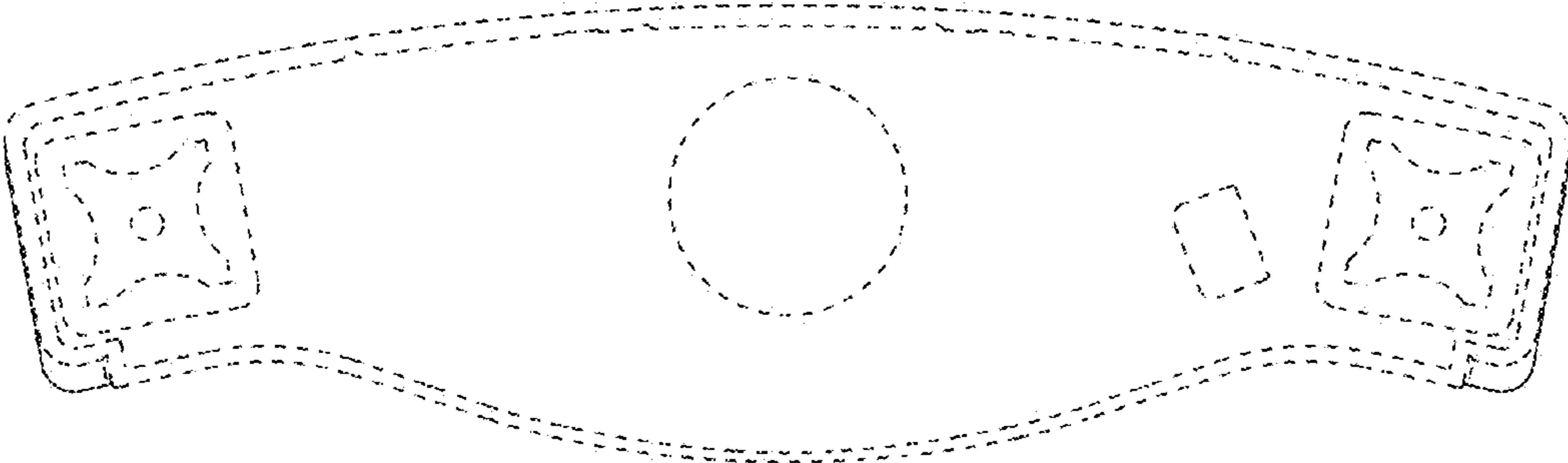


FIG. 7