



US00D741829S

(12) **United States Design Patent**
McManigal et al.

(10) **Patent No.:** **US D741,829 S**
(45) **Date of Patent:** **** Oct. 27, 2015**

(54) **TELEVISION**

(71) Applicants: **Scott McManigal**, Irvine, CA (US);
Glen Kim, Irvine, CA (US); **Wesley Millora**, Irvine, CA (US)

(72) Inventors: **Scott McManigal**, Irvine, CA (US);
Glen Kim, Irvine, CA (US); **Wesley Millora**, Irvine, CA (US)

(73) Assignee: **Vizio, Inc.**, Irvine, CA (US)

(**) Term: **14 Years**

(21) Appl. No.: **29/503,134**

(22) Filed: **Sep. 23, 2014**

(51) **LOC (10) Cl.** **14-03**

(52) **U.S. Cl.**
USPC **D14/126**

(58) **Field of Classification Search**
USPC D14/125-134, 239, 371, 136, 374-377,
D14/440, 450, 448, 336, 342, 159; 312/7.2;
348/836, 838, 180, 184, 325, 739;
248/917-924, 465; 345/104, 133, 156,
345/168, 87, 173; D21/329, 515, 577, 622,
D21/333, 433, 448, 452, 450, 331, 505;
D10/15, 26; 446/484, 175, 356;
D6/477, 479, 300; D24/185; D34/14
CPC ... G06F 1/1601; G06F 1/1643; H05K 5/0004;
H05K 5/0017; H05K 5/02; H05K 5/0217
See application file for complete search history.

(56) **References Cited**

U.S. PATENT DOCUMENTS

| | | | | | | |
|----------|---|---|--------|-------------|-------|---------|
| D655,266 | S | * | 3/2012 | Kim | | D14/126 |
| D680,979 | S | * | 4/2013 | Chen | | D14/126 |
| D682,232 | S | * | 5/2013 | Lee et al. | | D14/126 |
| D698,745 | S | * | 2/2014 | Jung et al. | | D14/126 |
| D701,844 | S | * | 4/2014 | Han | | D14/126 |

* cited by examiner

Primary Examiner — Raphael Barkai

(74) *Attorney, Agent, or Firm* — Law Office of Scott C Harris, Inc.

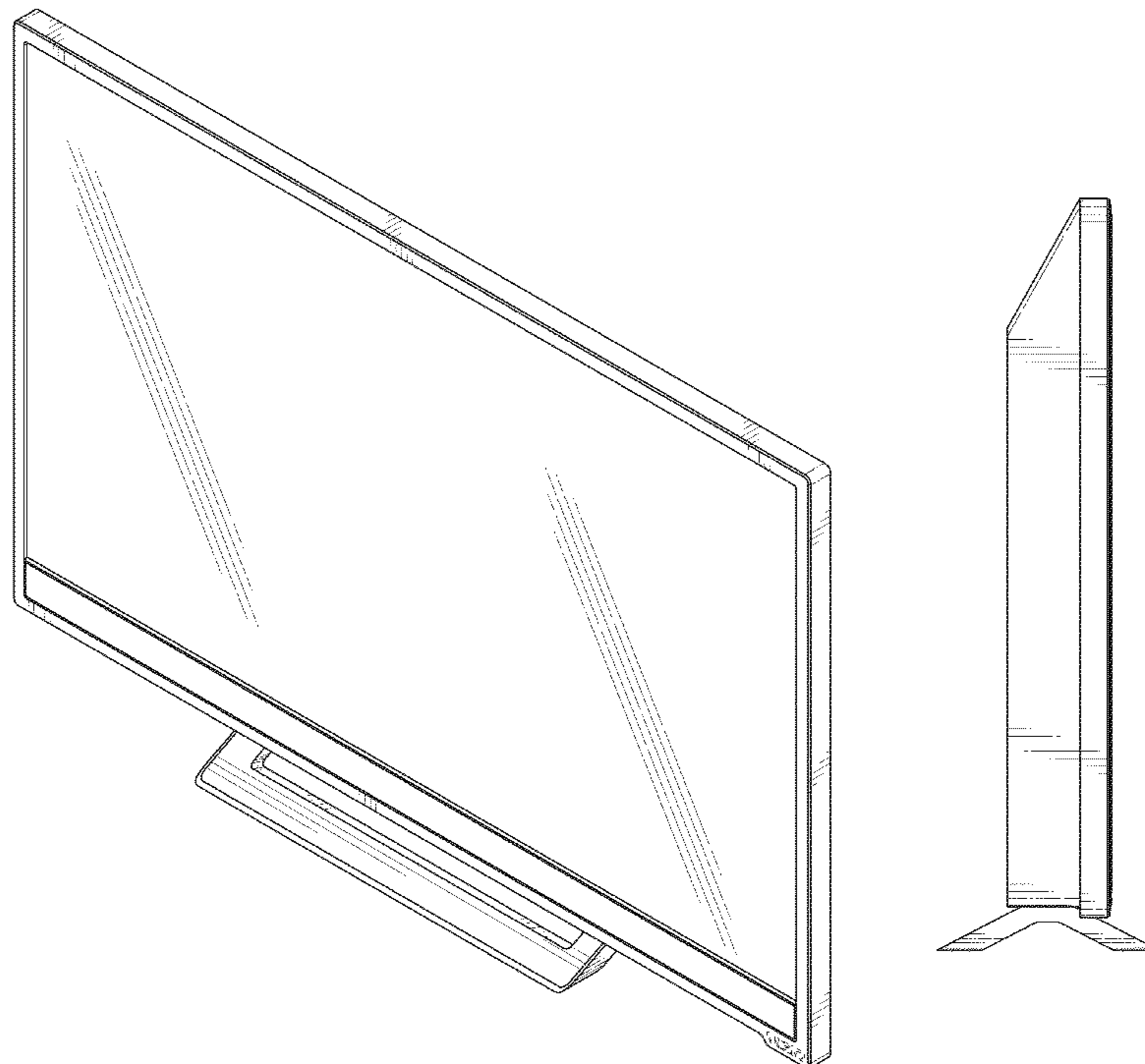
(57) **CLAIM**

I claim the ornamental design for a television, as shown and described.

DESCRIPTION

FIG. 1 shows a rear perspective view of the television;
FIG. 2 shows a front view of the television;
FIG. 3 shows a rear view of the television;
FIG. 4 shows a first side view of the television;
FIG. 5 shows a second side view of the television;
FIG. 6 shows a top view of the television; and,
FIG. 7 shows a bottom view of the television.
The portions of the graphical user interface shown in broken lines form no part of the claimed design.

1 Claim, 5 Drawing Sheets



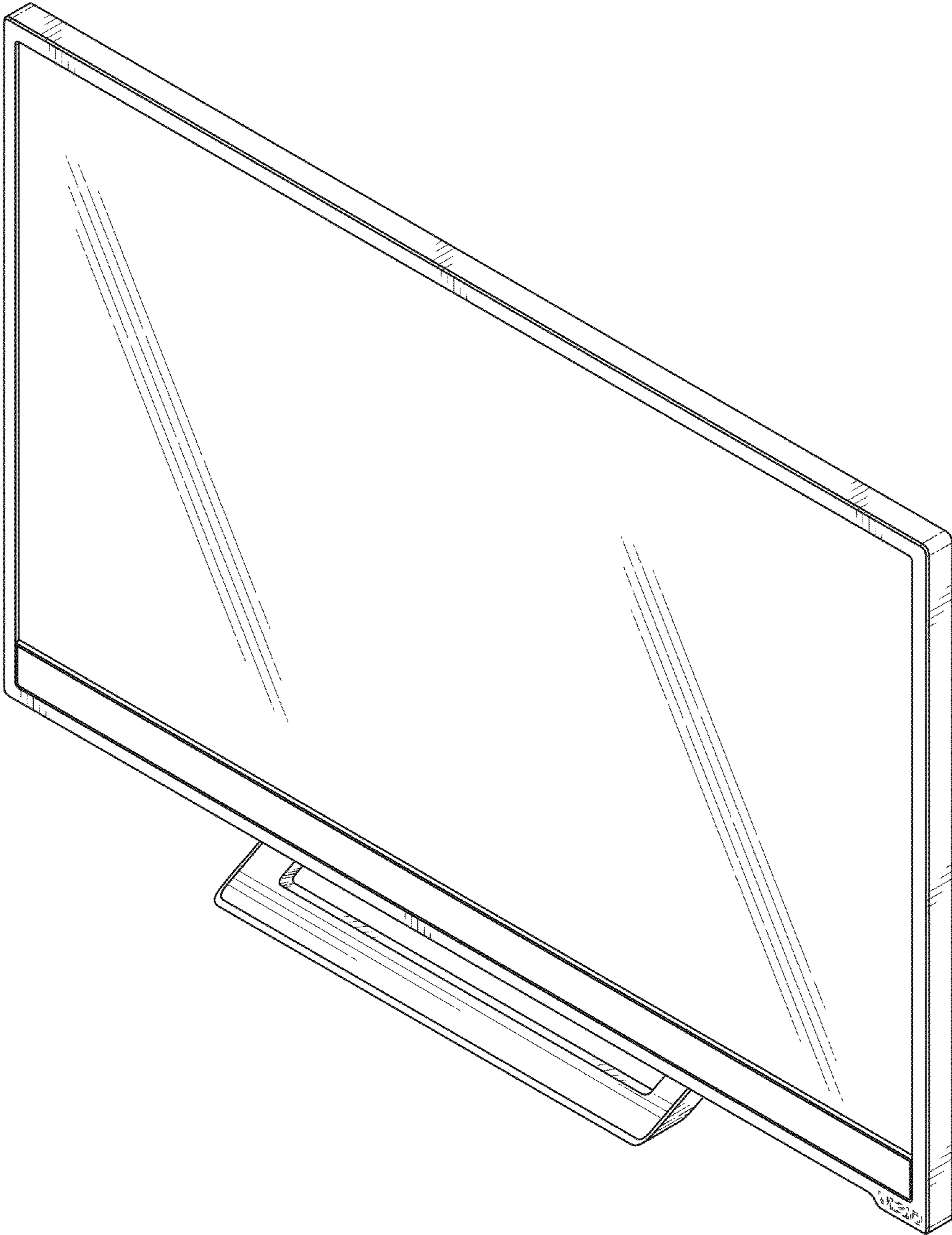


FIG. 1

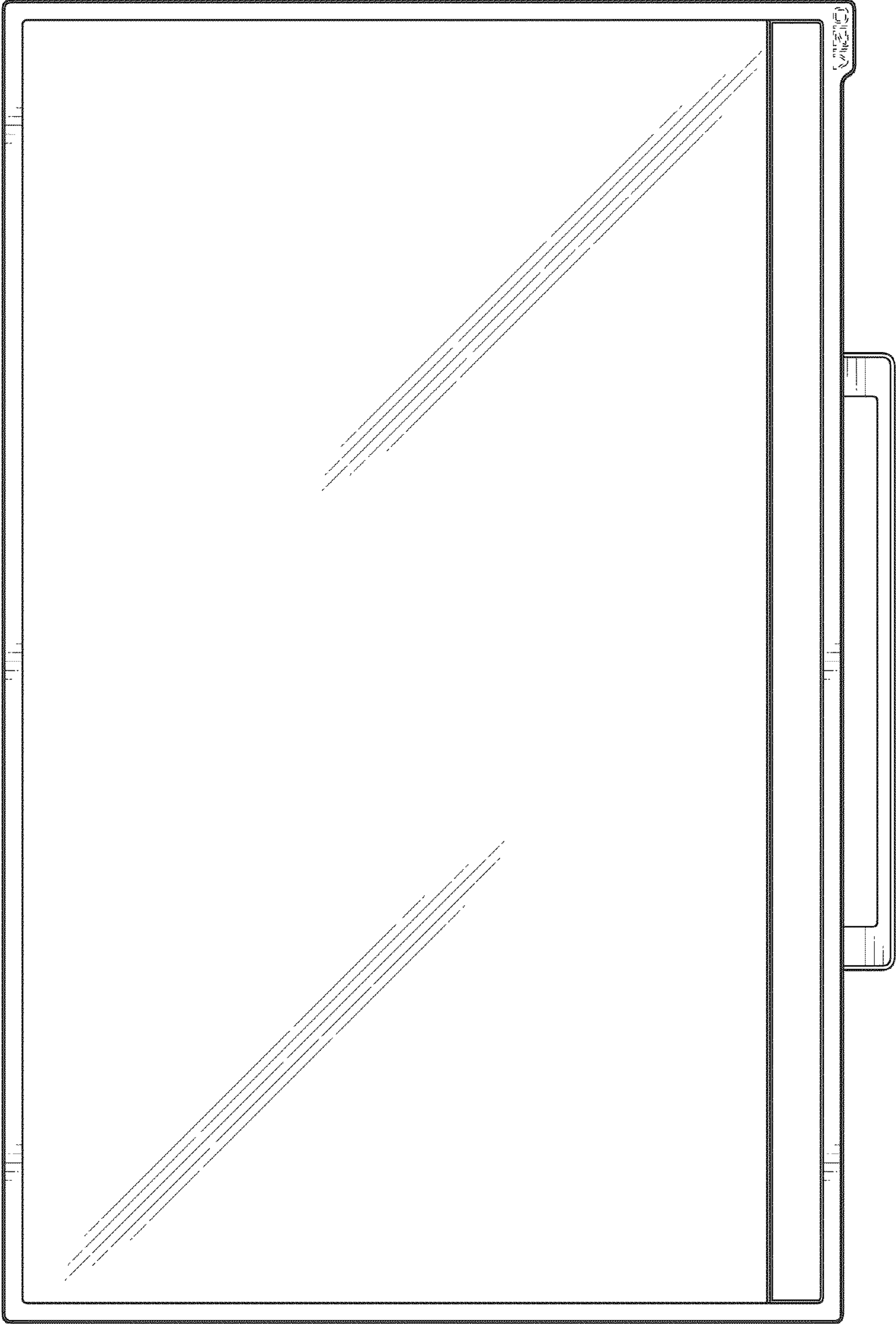


FIG. 2

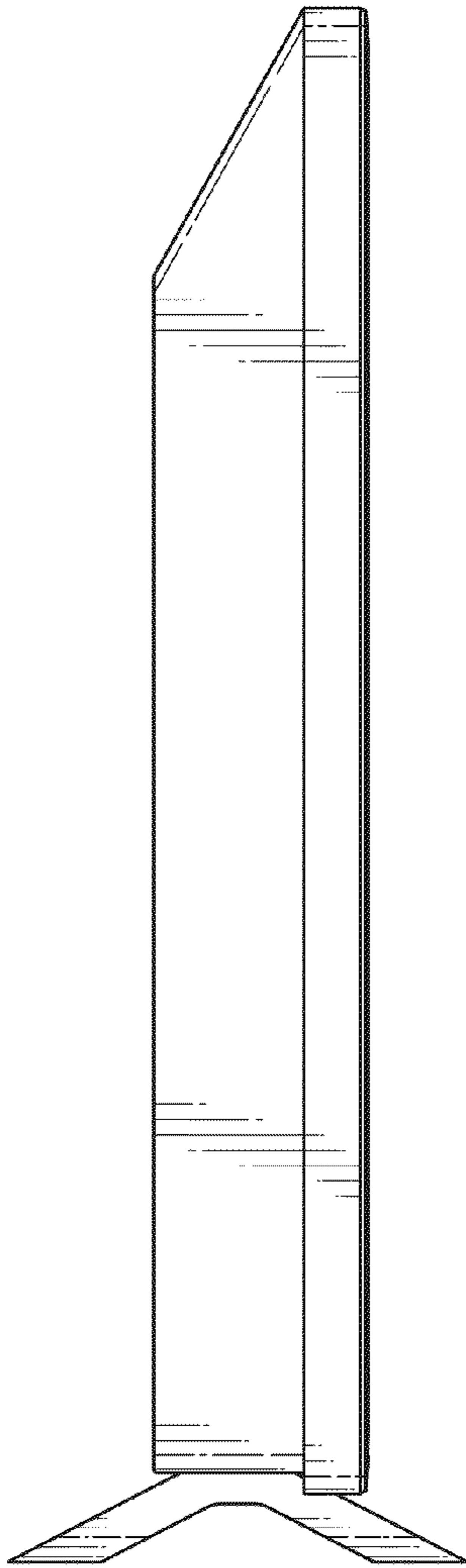


FIG. 4

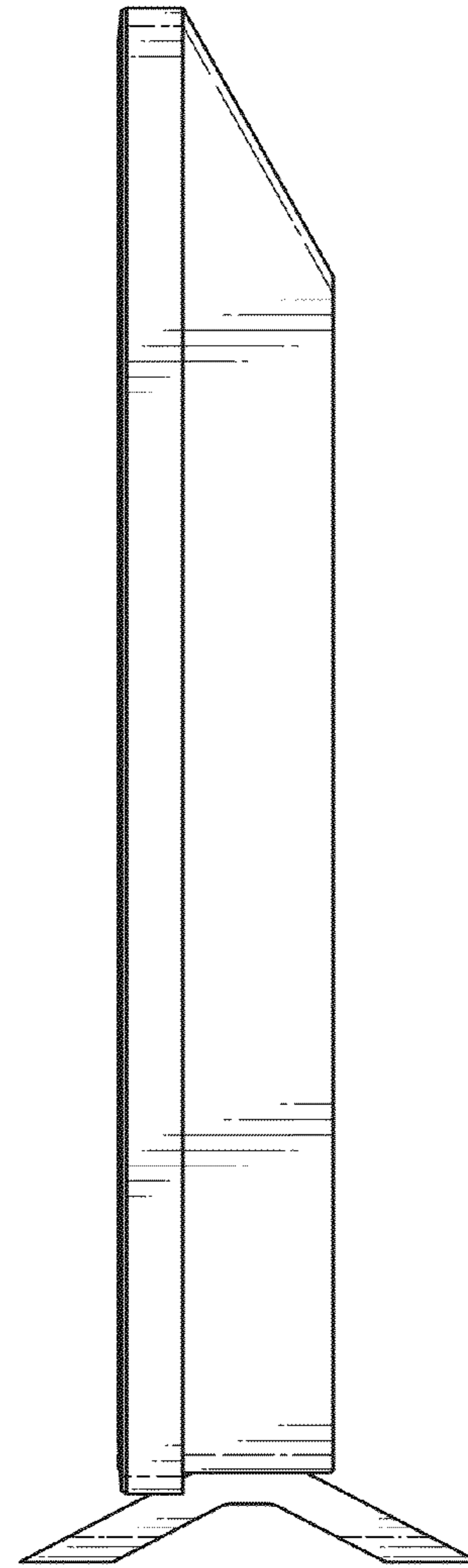


FIG. 5

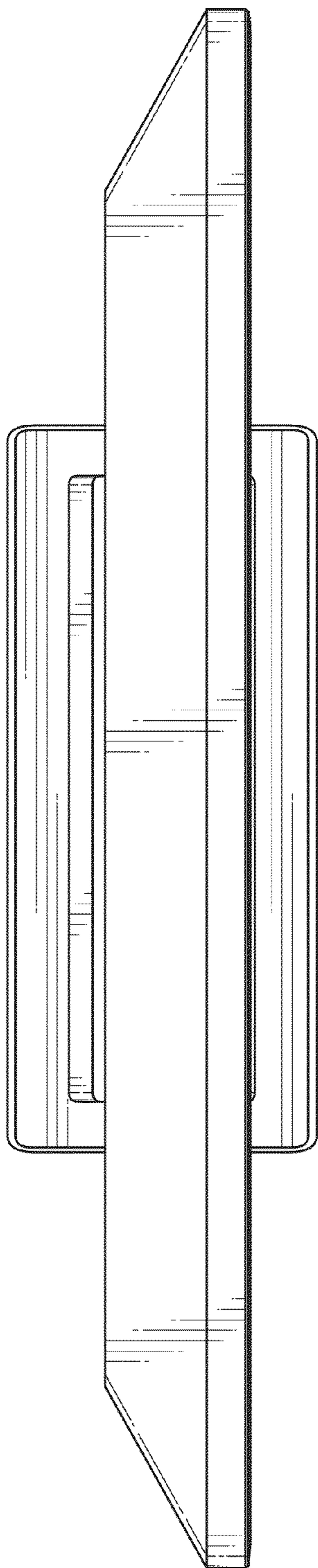


FIG. 6

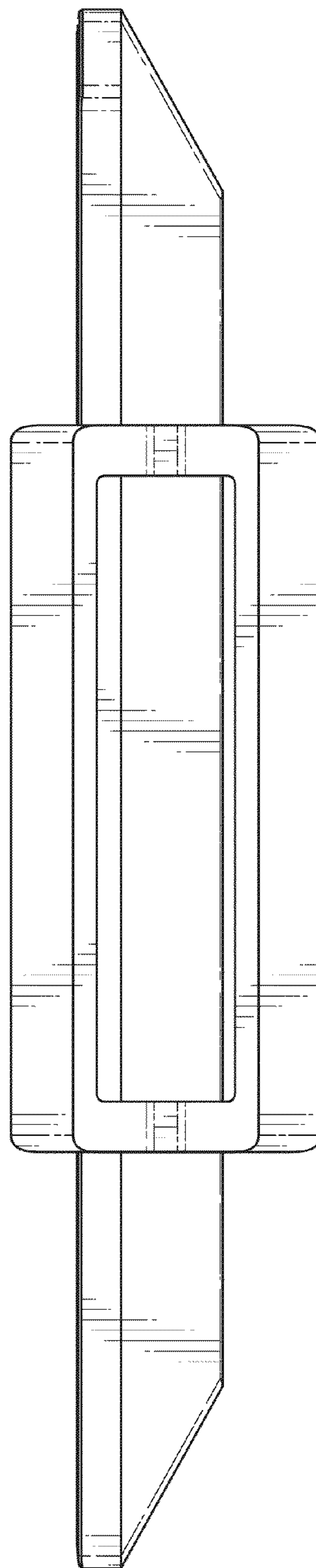


FIG. 7