

US00D741827S

(12) **United States Design Patent**
Shin et al.

(10) **Patent No.:** **US D741,827 S**
(45) **Date of Patent:** **** Oct. 27, 2015**

(54) **TELEVISION RECEIVER**

(56) **References Cited**

(71) Applicant: **Samsung Electronics Co., Ltd.**,
Suwon-si, Gyeonggi-do (KR)
(72) Inventors: **Rina Shin**, Seoul (KR); **Hyung-Ho Hwangbo**, Seoul (KR); **Hae-Sung Park**, Seoul (KR); **Christopher Edward Bangle**, Clavesana (IT)
(73) Assignee: **SAMSUNG ELECTRONICS CO., LTD.** (KR)

U.S. PATENT DOCUMENTS

D417,443	S	*	12/1999	Geiszler	D14/432
D591,740	S	*	5/2009	Luke et al.	D14/341
D607,427	S	*	1/2010	Ho et al.	D14/138 AD
D614,185	S	*	4/2010	Chien	D14/374
D628,200	S	*	11/2010	Ko et al.	D14/374
D653,255	S	*	1/2012	Chu et al.	D14/374
D657,789	S	*	4/2012	Lee et al.	D14/374
D661,680	S	*	6/2012	Wei et al.	D14/155
D698,325	S	*	1/2014	Kim et al.	D14/126
D705,813	S	*	5/2014	Deguchi	D14/498
D715,241	S	*	10/2014	Jang et al.	D14/126

* cited by examiner

(**) Term: **14 Years**

Primary Examiner — Susan Bennett Hattan

(21) Appl. No.: **29/472,290**

Assistant Examiner — Brett Miller

(22) Filed: **Nov. 11, 2013**

(74) *Attorney, Agent, or Firm* — Cantor Colburn LLP

(30) **Foreign Application Priority Data**

(57) **CLAIM**

The ornamental design for a television receiver, as shown and described.

May 11, 2013 (KR) 30-2013-0024885

(51) **LOC (10) Cl.** **14-03**

(52) **U.S. Cl.**
USPC **D14/126**

(58) **Field of Classification Search**
USPC D14/371–382, 125–134, 239, 448–452,
D14/136, 341, 479, 389, 397, 308, 412, 157,
D14/155, 511, 432, 498, 138 AD;
361/679.02; 348/836, 838, 180, 184,
348/325, 739; 248/917–924, 465; 345/104;
D6/300, 301, 302, 308, 310–314
CPC G01F 1/1601
See application file for complete search history.

DESCRIPTION

FIG. 1 is a perspective view of a television receiver, showing our new design;
FIG. 2 is a front view thereof;
FIG. 3 is a rear view thereof;
FIG. 4 is a side view thereof;
FIG. 5 is a another side view thereof;
FIG. 6 is a top plan view thereof;
FIG. 7 is a bottom plan view thereof;
FIG. 8 is a rear perspective view thereof;
FIG. 9 is an enlarged view of area '9' in FIG. 1; and,
FIG. 10 is an enlarged view of area '10' in FIG. 5.
The broken lines or dash dot lines are environmental or boundary lines that form no part of the claimed design.
The shade lines in the figures show contour and not surface ornamentation.

1 Claim, 7 Drawing Sheets

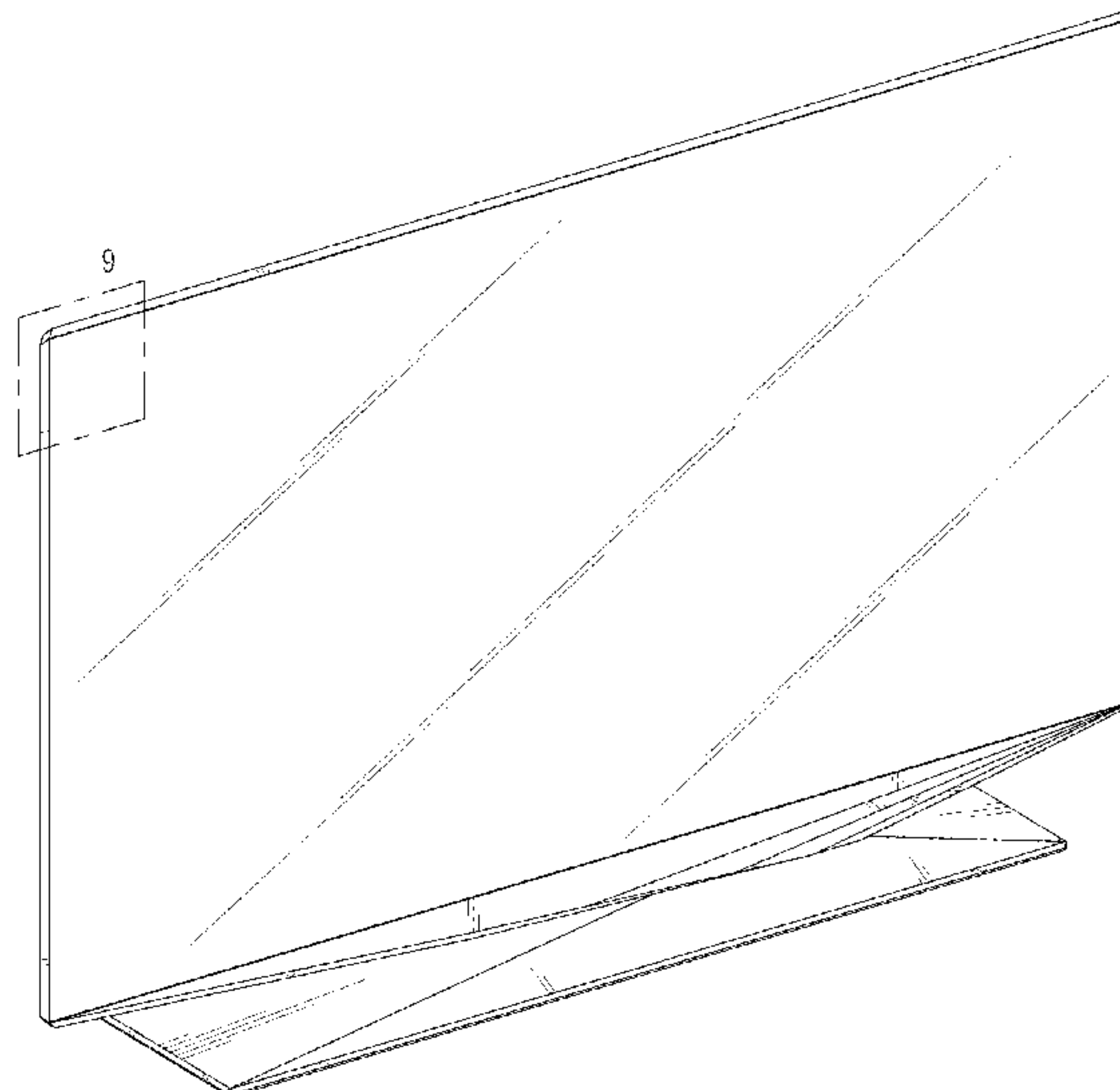


FIG. 1

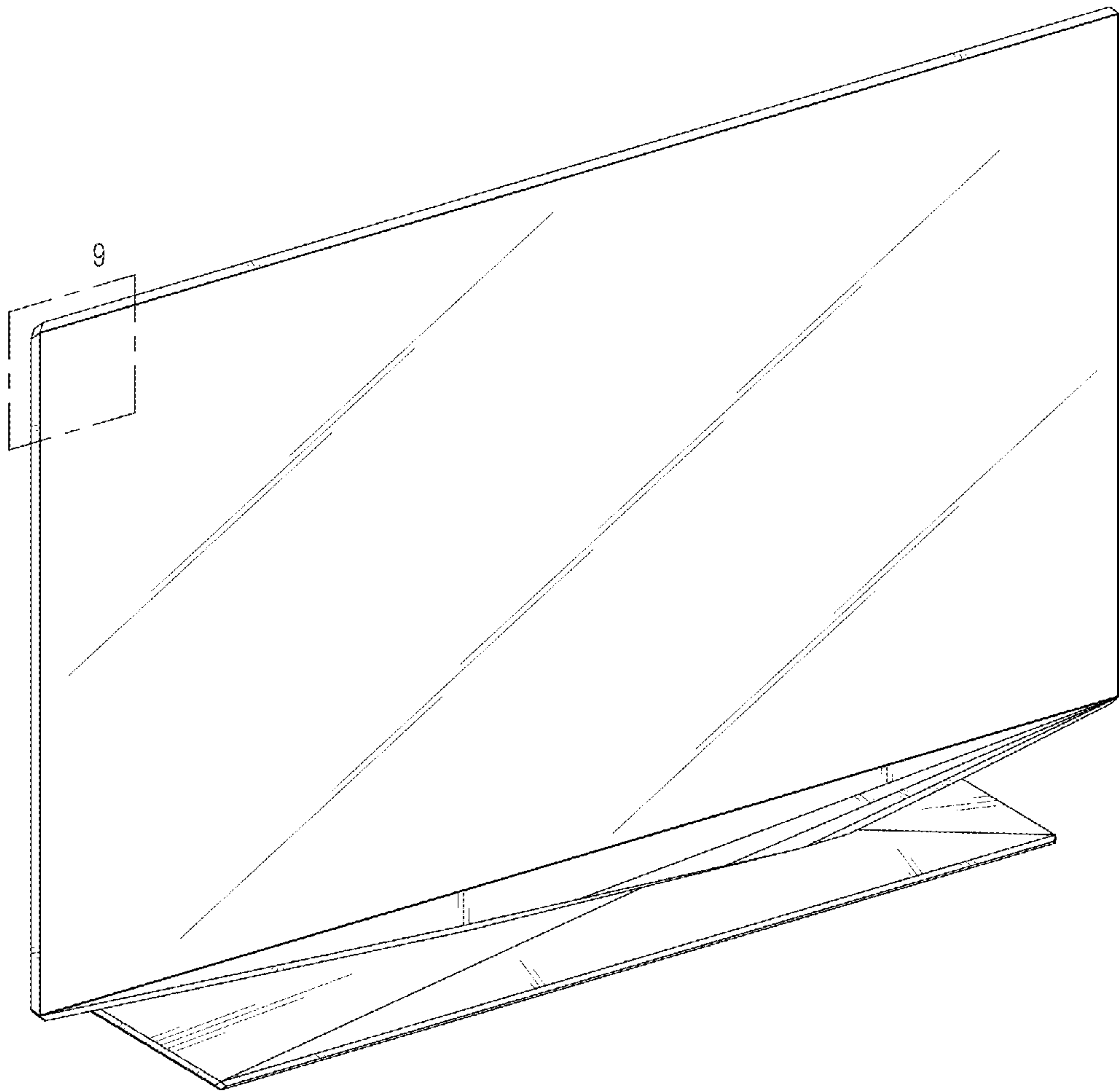


FIG. 2

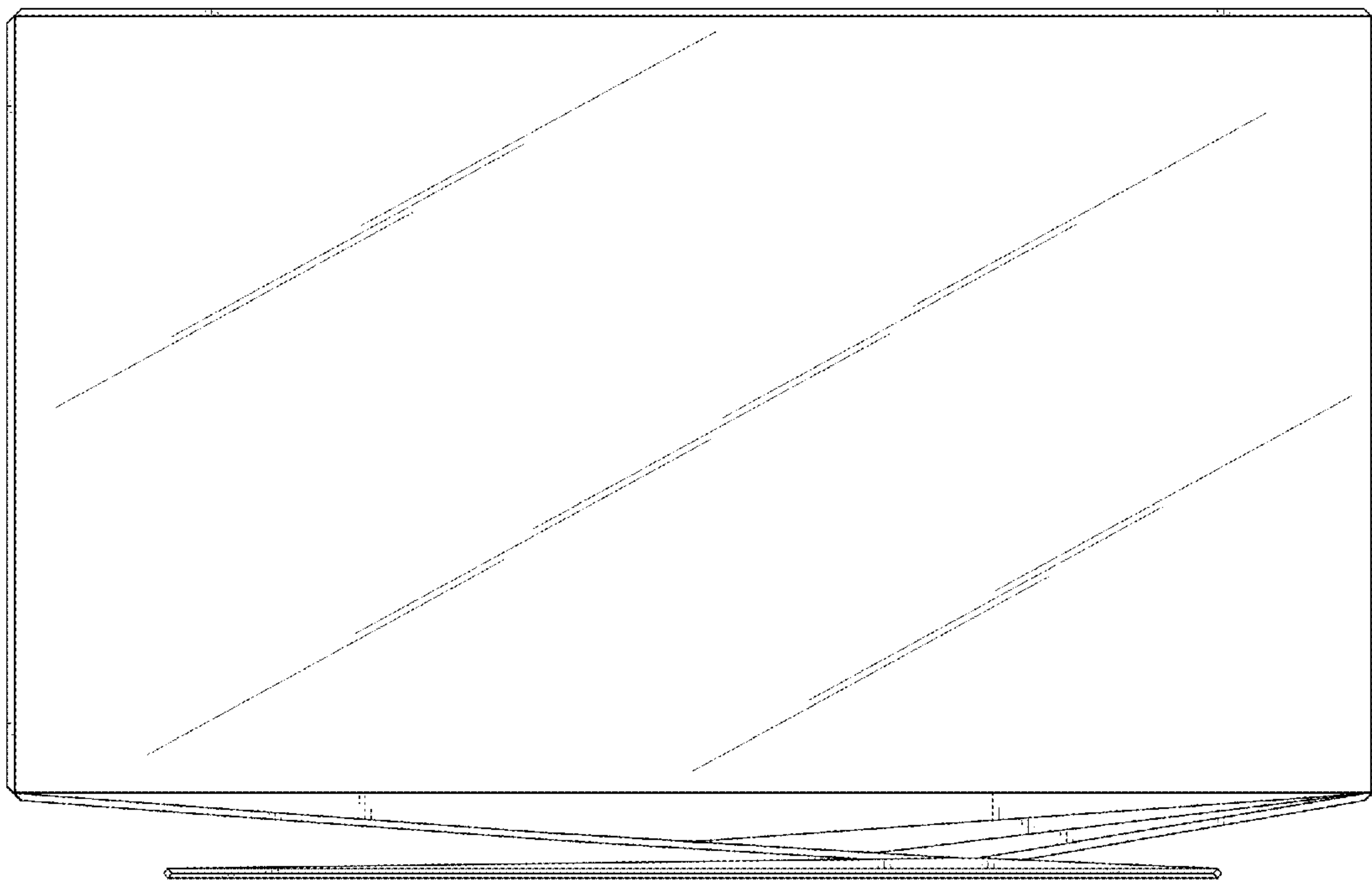


FIG. 3

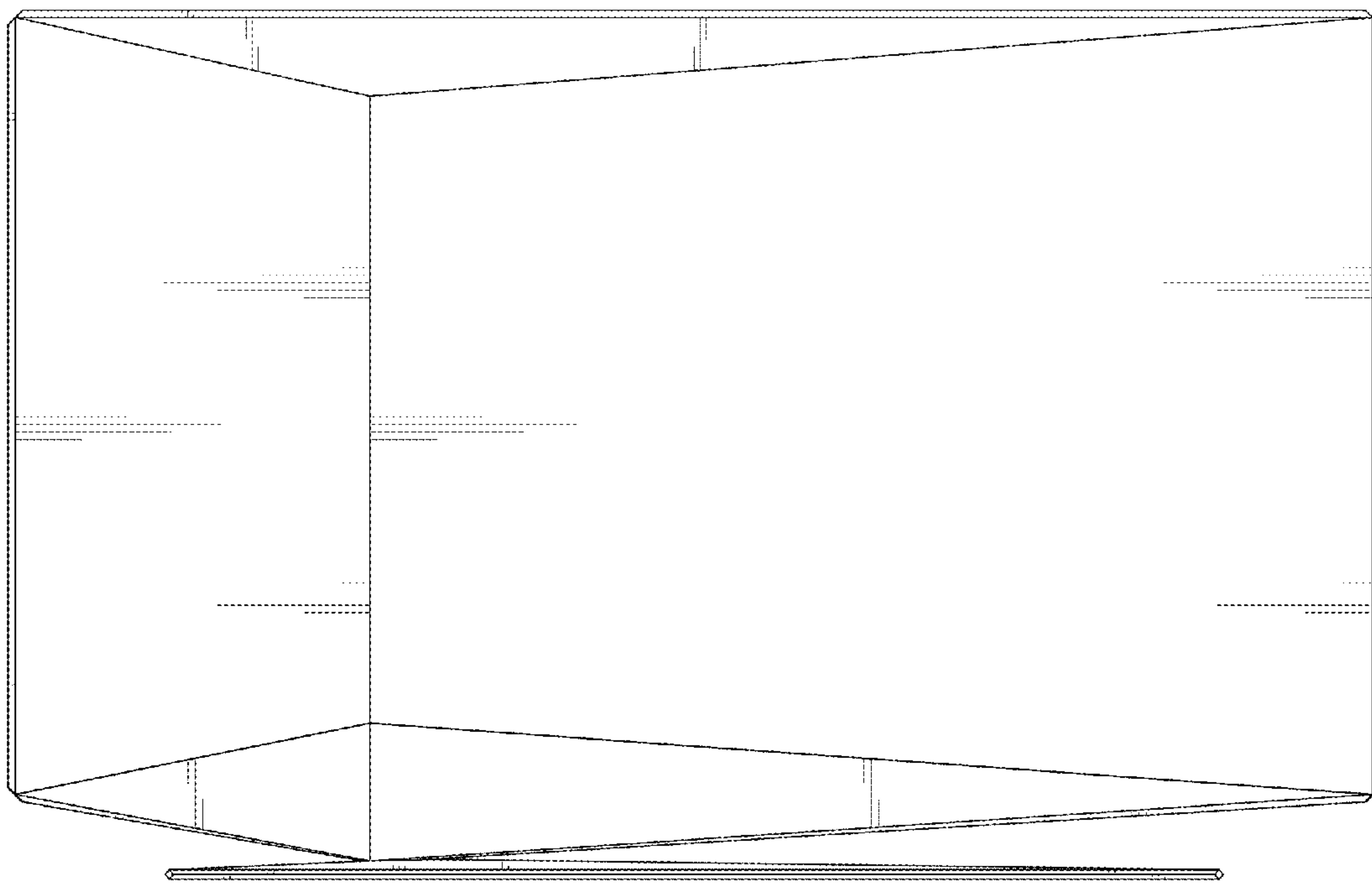


FIG. 4

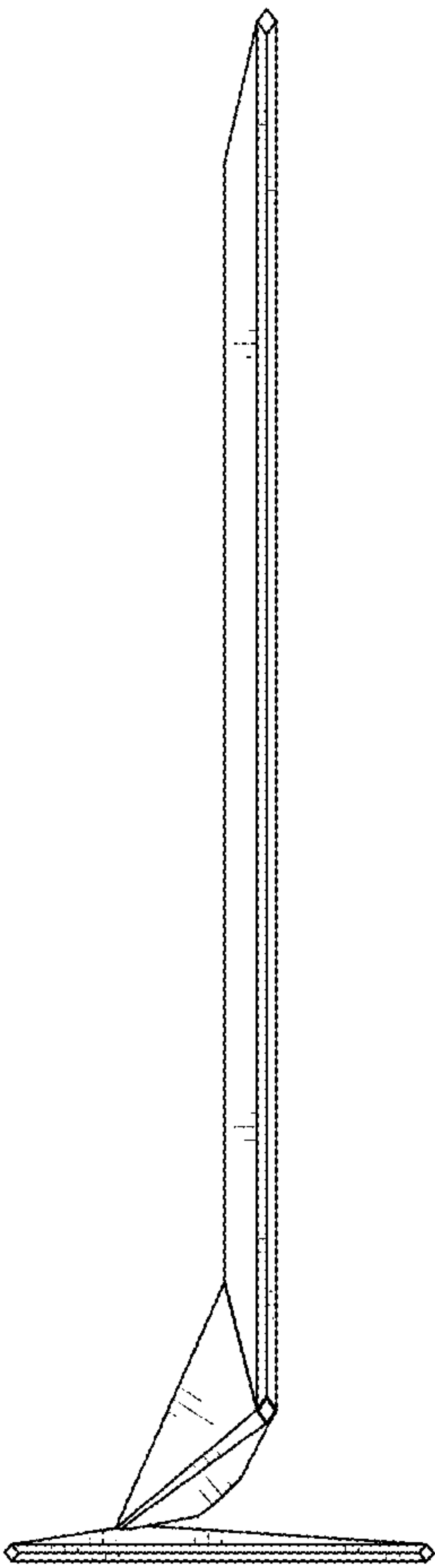


FIG. 5

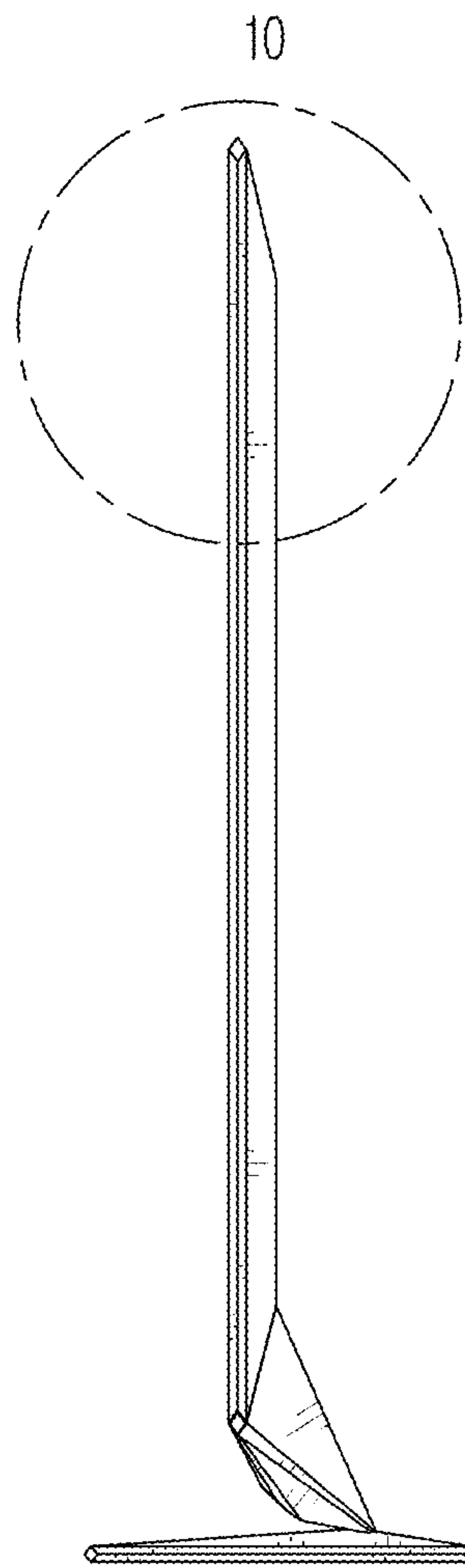


FIG. 6

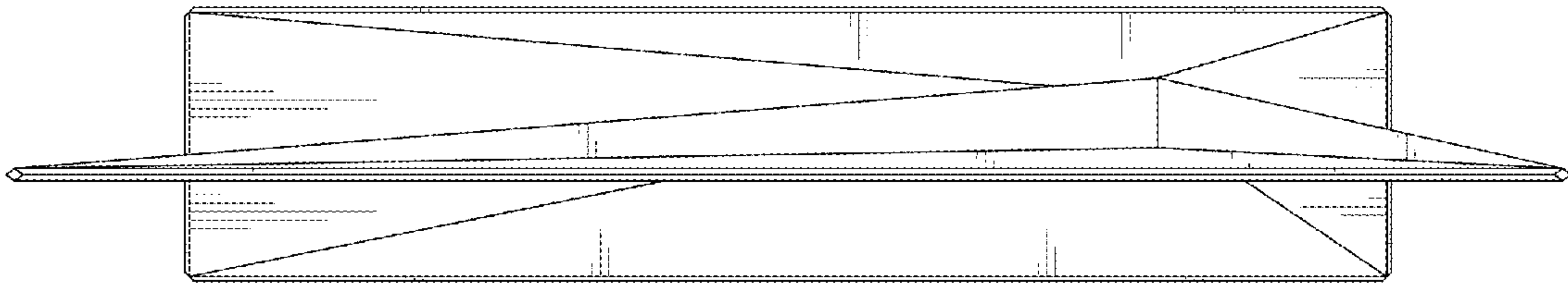


FIG. 7

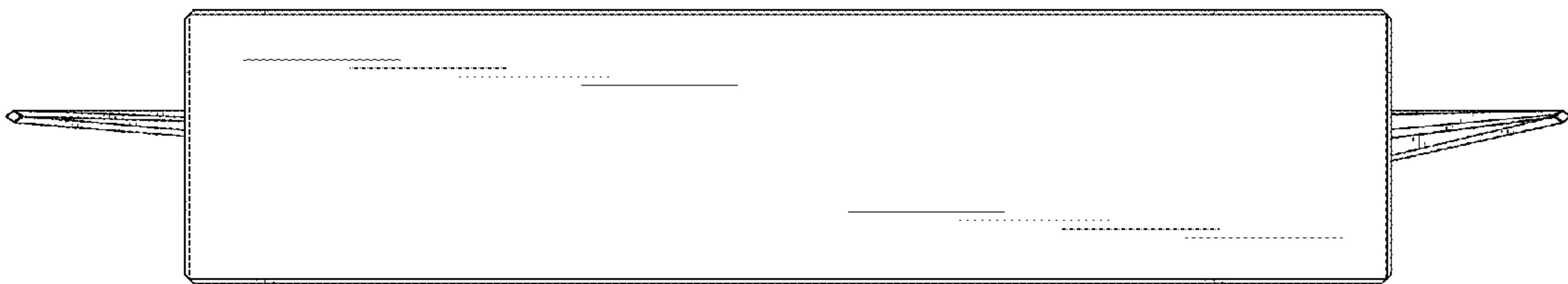


FIG. 8

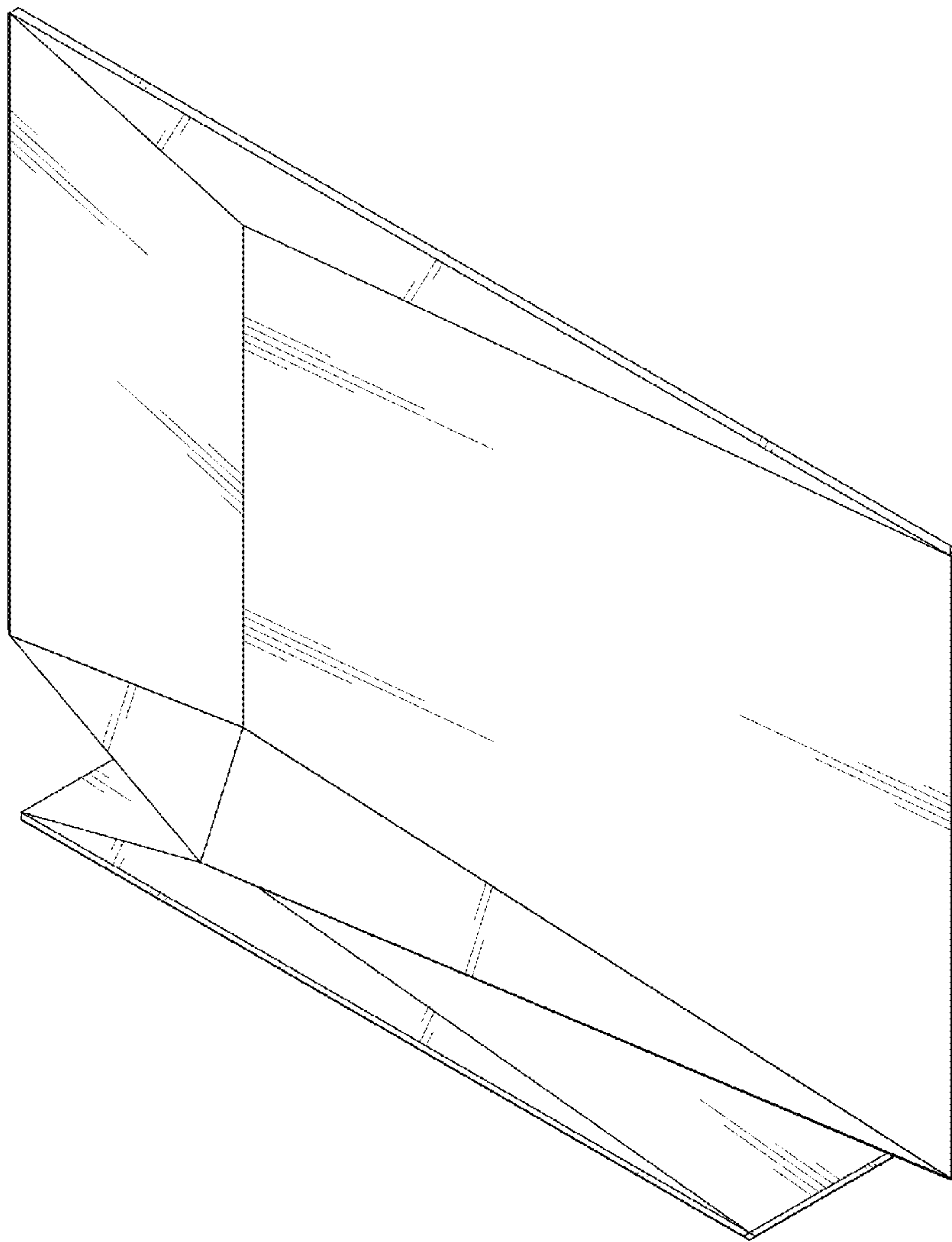


FIG. 9

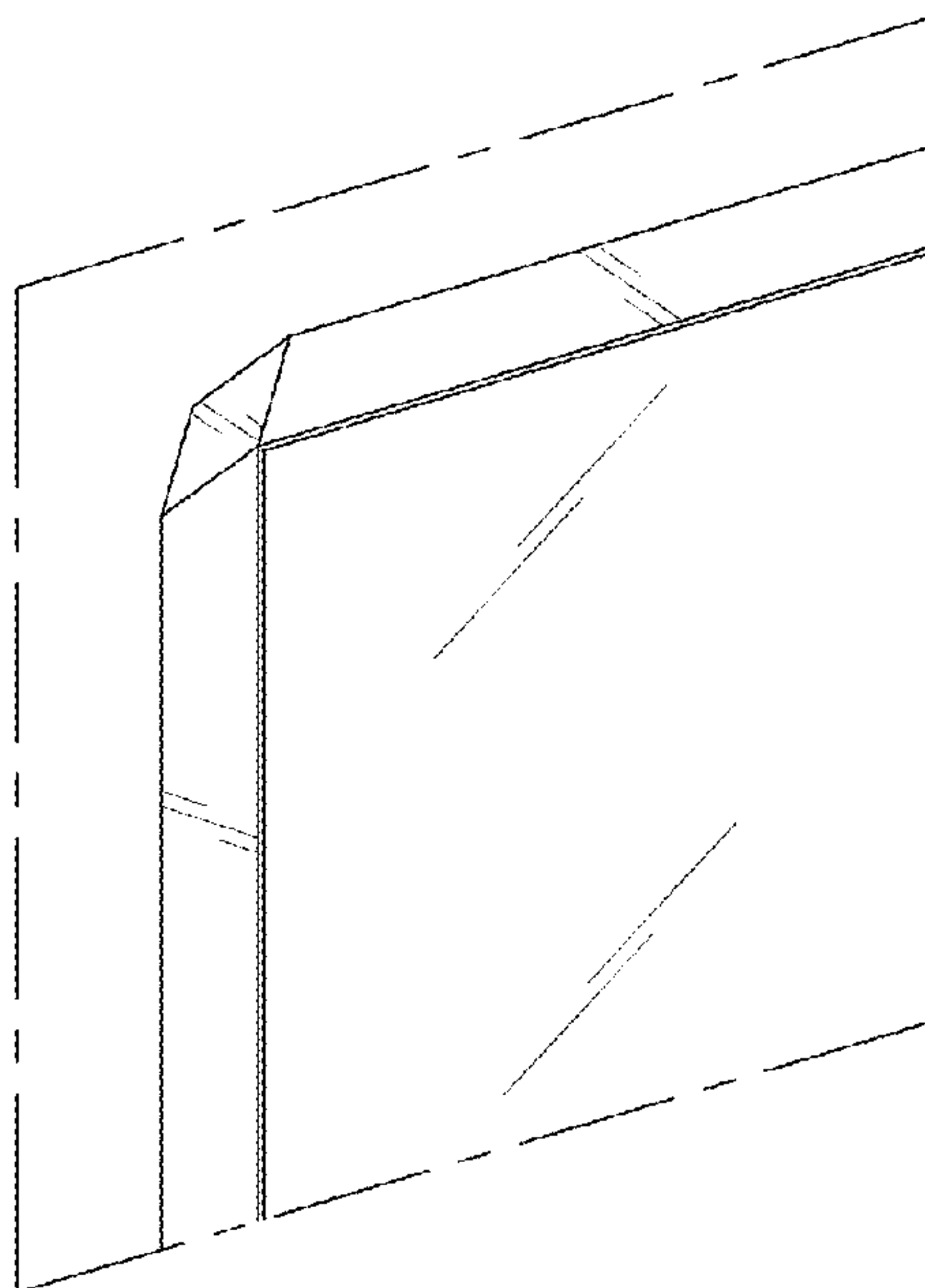


FIG. 10

