

US00D741825S

(12) **United States Design Patent**
James et al.

(10) **Patent No.:** **US D741,825 S**
(45) **Date of Patent:** **** Oct. 27, 2015**

(54) **SET-TOP BOX**

(71) Applicant: **Intel Corporation**, Santa Clara, CA (US)
(72) Inventors: **Gregory A. James**, Phoenix, AZ (US); **Edward O. Clapper**, Tempe, AZ (US); **Nicholas Long**, Santa Clara, CA (US); **Michael J. Castillo**, Hillsboro, OR (US); **Fraser Stirling**, Santa Clara, CA (US); **Simon J. Waterfall**, Santa Clara, CA (US); **Gadi Amit**, San Francisco, CA (US); **Chadwick Harber**, San Francisco, CA (US); **Julien Rouillac**, San Francisco, CA (US)

(73) Assignee: **Intel Corporation**, Santa Clara, CA (US)

(**) Term: **14 Years**

(21) Appl. No.: **29/477,911**

(22) Filed: **Dec. 28, 2013**

(51) **LOC (10) Cl.** **14-03**

(52) **U.S. Cl.**
USPC **D14/125**

(58) **Field of Classification Search**
USPC D14/125, 357-358, 496, 188, 242, 432;
D13/184; 348/10, 460, 706, 731;
340/825.03; 455/6.1, 6.2; 312/223.1,
312/7.2
CPC H04N 21/00; H04N 21/20; H04N 21/40
See application file for complete search history.

(56) **References Cited**

U.S. PATENT DOCUMENTS

D551,183	S	*	9/2007	Park et al.	D14/125
D560,177	S	*	1/2008	Chun et al.	D14/125
D596,061	S	*	7/2009	Kurumagawa et al.	...	D10/106.1
D641,343	S	*	7/2011	Kim et al.	D14/240
D666,163	S	*	8/2012	Hsu	D14/125
D669,473	S	*	10/2012	Gronau et al.	D14/420

* cited by examiner

Primary Examiner — Randall Gholson
(74) *Attorney, Agent, or Firm* — Patent Capital Group

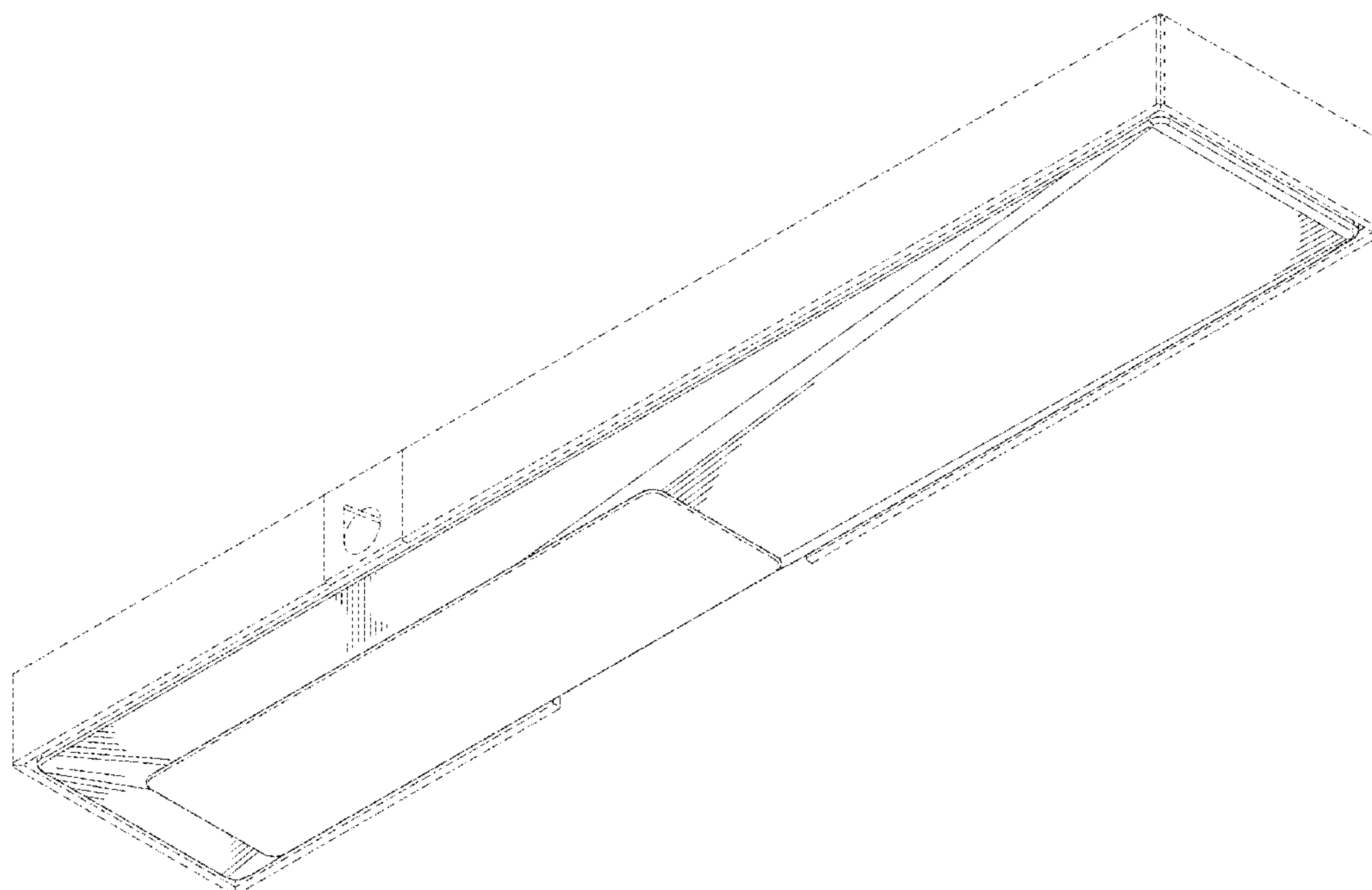
(57) **CLAIM**

The ornamental design for a set-top box, as shown and described.

DESCRIPTION

FIG. 1 is a front side perspective view illustrating a set-top box according to our new design;
FIG. 2 is a front view thereof;
FIG. 3 is a back view thereof;
FIG. 4 is a right side view thereof;
FIG. 5 is a left side view thereof;
FIG. 6 is a top view thereof;
FIG. 7 is a bottom view thereof; and,
FIG. 8 is a back side perspective view thereof.
The broken lines depict portions of the set top box that form no part of the claimed design. The broken lines and the unshaded regions bounded by broken lines illustrate boundaries and, therefore, form no part of the claimed design. Non-oblique line shading is meant to show contour and not surface ornamentation.

1 Claim, 5 Drawing Sheets



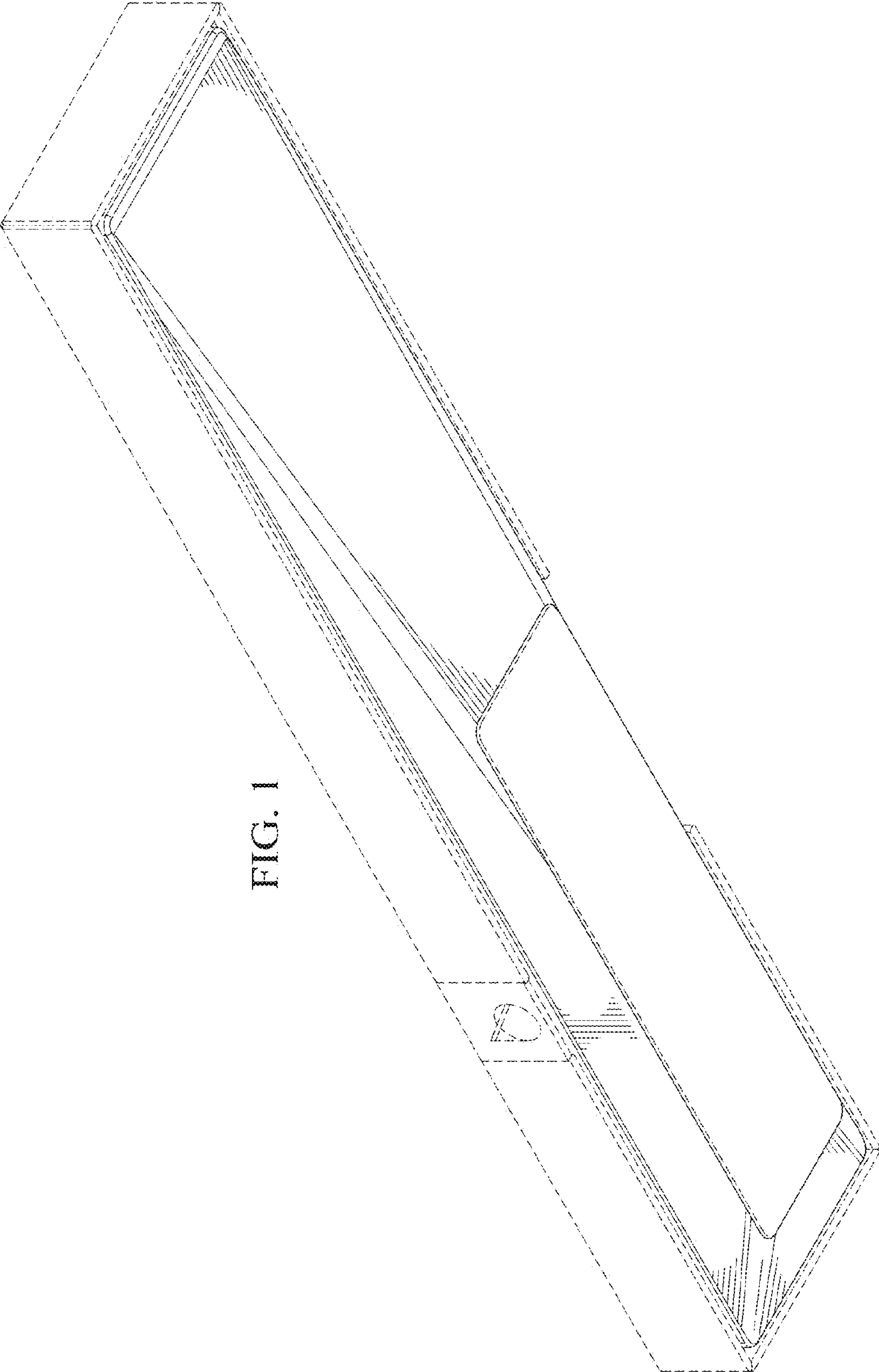


FIG. 1

FIG. 2

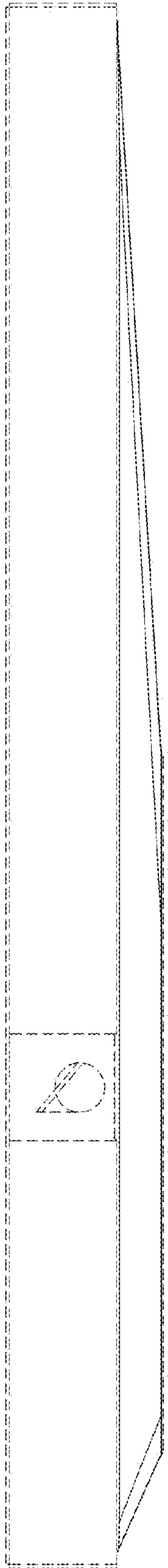


FIG. 3

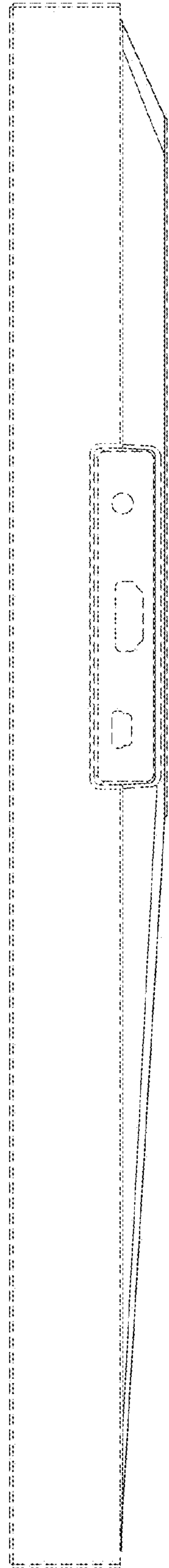


FIG. 5



FIG. 4



FIG. 6

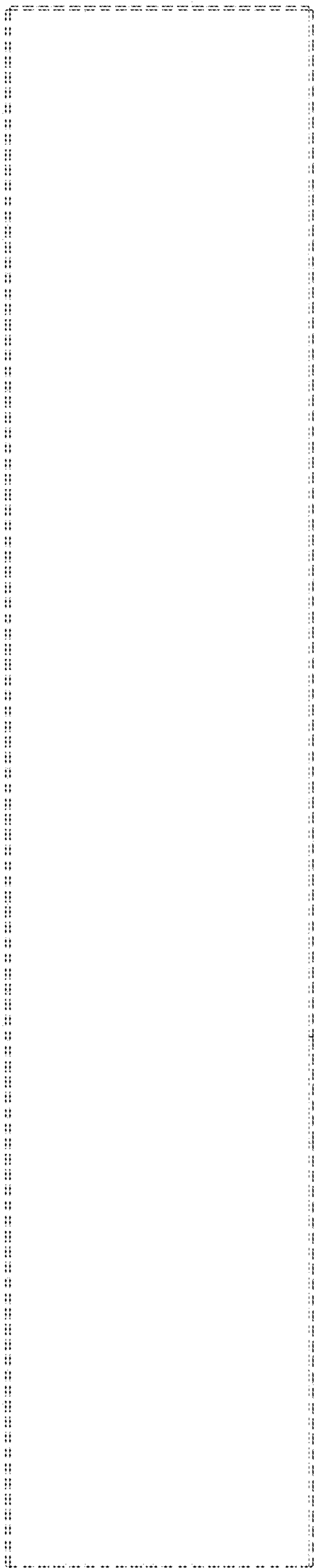
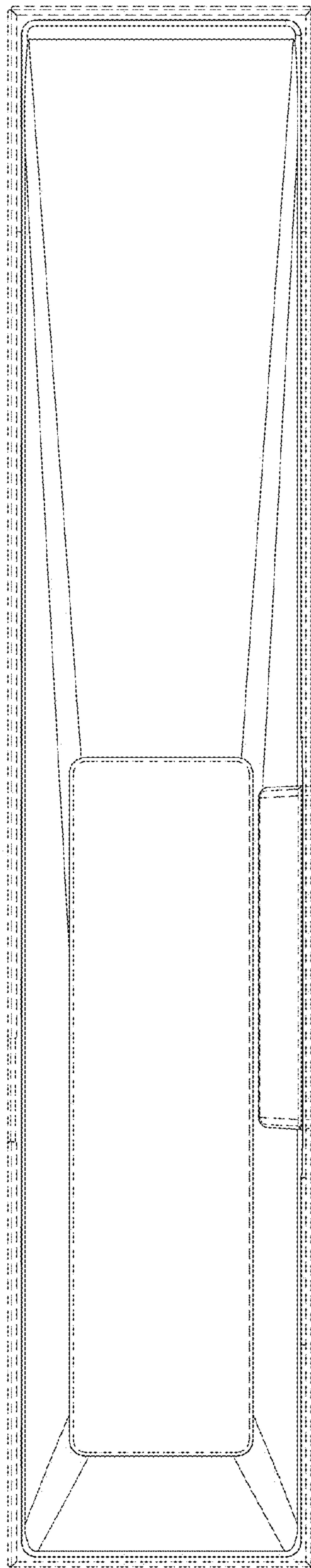


FIG. 7



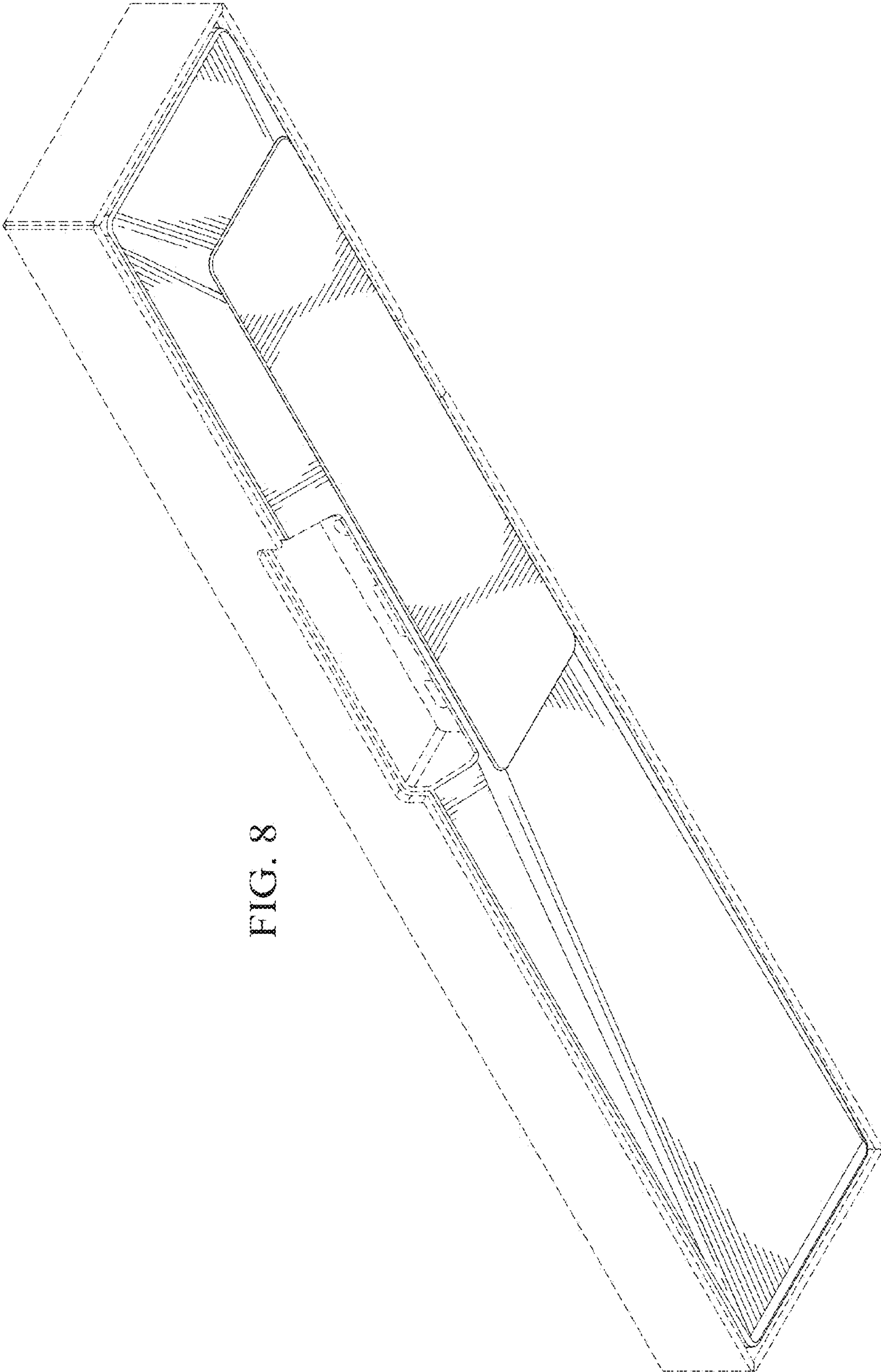


FIG. 8