

US00D741824S

(12) **United States Design Patent**
Ryan

(10) **Patent No.:** **US D741,824 S**
(45) **Date of Patent:** **** Oct. 27, 2015**

(54) **ELECTRICAL ENCLOSURE FOR MATERIAL HANDLING EQUIPMENT**

(71) Applicant: **The Raymond Corporation**, Greene, NY (US)

(72) Inventor: **Howard Scott Ryan**, Skaneateles, NY (US)

(73) Assignee: **The Raymond Corporation**, Greene, NY (US)

(**) Term: **14 Years**

(21) Appl. No.: **29/438,746**

(22) Filed: **Dec. 3, 2012**

(51) **LOC (10) Cl.** **13-03**

(52) **U.S. Cl.**
USPC **D13/184**; D13/162

(58) **Field of Classification Search**
USPC D10/65, 66, 67, 68, 70, 74, 80, 114.9, D10/78; 701/213; 455/575.1, 575.4; D14/138, 341, 383, 385, 387, 159; D13/184, 162, 173, 177
CPC H03J 2200/22; H03J 2200/23; H03J 2200/24
See application file for complete search history.

(56) **References Cited**

U.S. PATENT DOCUMENTS

D343,362	S	*	1/1994	Soren et al.	D10/65
D389,759	S	*	1/1998	Taylor et al.	D10/78
D468,652	S	*	1/2003	Steiner et al.	D10/65
D469,367	S	*	1/2003	Mirabelli et al.	D10/65
D486,083	S	*	2/2004	Laverick et al.	D10/65
D494,878	S	*	8/2004	Laverick et al.	D10/74
D508,213	S	*	8/2005	Silzer et al.	D10/65
D518,396	S	*	4/2006	Jopling	D10/80
D531,067	S	*	10/2006	Baumgaertner	D10/65
D540,204	S	*	4/2007	Aguilar	D10/65
D540,205	S	*	4/2007	Hsu	D10/65
D542,679	S	*	5/2007	Bloem	D10/65
D543,875	S	*	6/2007	Skelton et al.	D10/65

D558,619	S	*	1/2008	Bloem	D10/65
D560,520	S	*	1/2008	Oberrieder et al.	D10/65
D564,921	S	*	3/2008	Cheng	D10/65
D569,836	S	*	5/2008	Han et al.	D14/138 AD
D571,768	S	*	6/2008	Shi et al.	D14/138 AA
D589,018	S	*	3/2009	Jeoung et al.	D14/138 AD
D590,794	S	*	4/2009	Jeoung et al.	D14/138 AD
D593,980	S	*	6/2009	Lee et al.	D14/138 AD
D594,358	S	*	6/2009	Lammers-Meis et al.	D10/65

(Continued)

OTHER PUBLICATIONS

Raymond Corp iWarehouse, Mar. 19, 2014, SupplyChain247.com is owned and produced by Peerless Media, LLC., a Division of EH Publishing, Inc. All rights reserved, <http://www.supplychain247.com/article/raymond_integrates_labor_management_system_into_iwarehouse_enterprise/news>.*

Primary Examiner — Ian Simmons

Assistant Examiner — Harold Blackwell, II

(74) *Attorney, Agent, or Firm* — Quarles & Brady LLP

(57) **CLAIM**

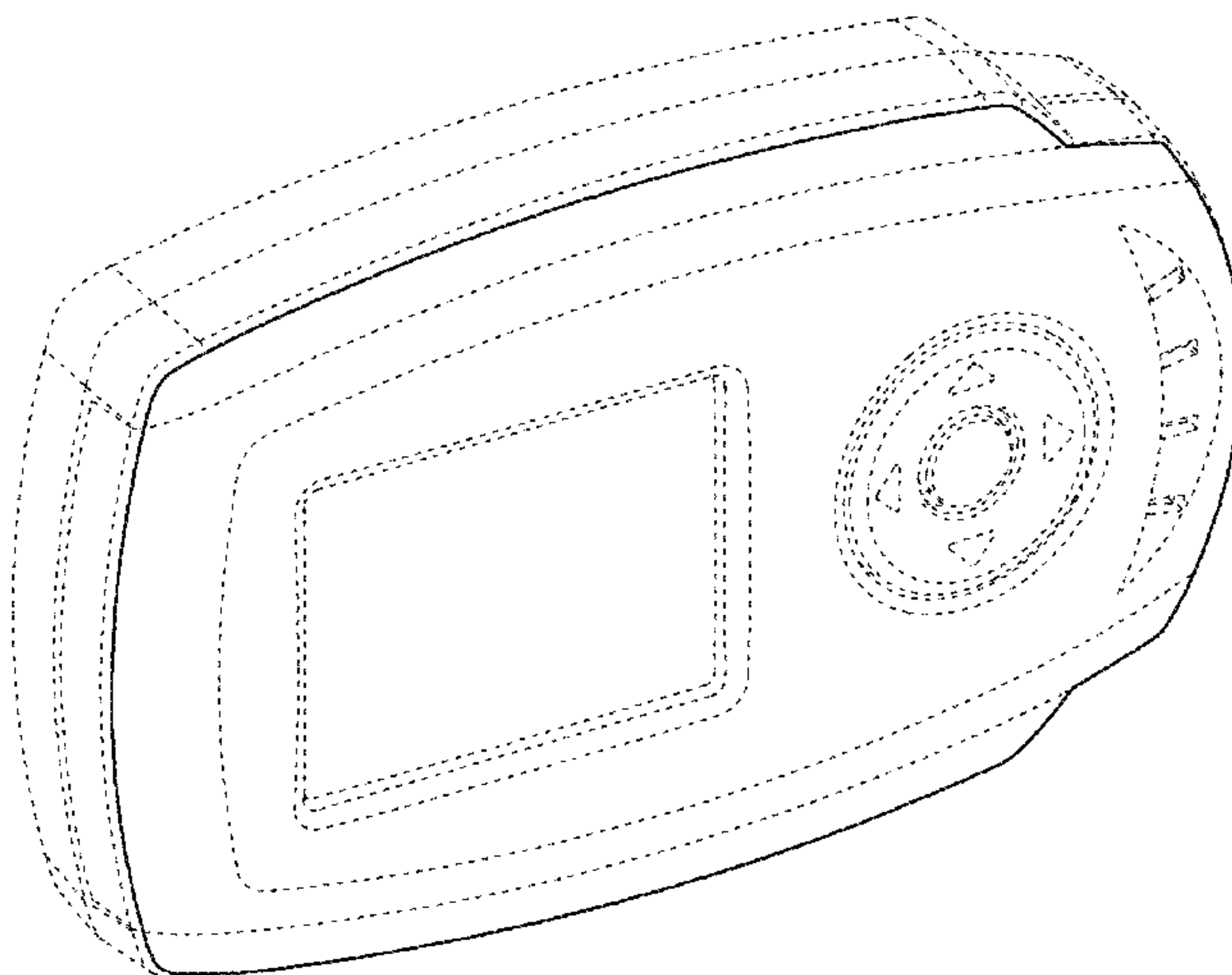
The ornamental design for an electrical enclosure for material handling equipment, as shown and described.

DESCRIPTION

FIG. 1 is a top, left, front perspective view of a first embodiment of an electrical enclosure for material handling equipment embodying my new design; FIG. 2 is a front elevational view thereof; FIG. 3 is a left elevational view thereof; FIG. 4 is a right elevational view thereof; FIG. 5 is a top plan view thereof; FIG. 6 is a bottom plan view thereof; and, FIG. 7 is a rear elevational view thereof.

The broken line showing in FIGS. 1-7 of the electrical enclosure for material handling equipment illustrate portions of the electrical enclosure for material handling equipment which form no part of the claimed design.

1 Claim, 6 Drawing Sheets



(56)

References Cited

U.S. PATENT DOCUMENTS

D596,152 S *	7/2009	Hong et al.	D14/138 AD	D643,757 S *	8/2011	Chang	D10/65
D596,513 S *	7/2009	Lammers-Meis et al.	D10/65	D644,542 S *	9/2011	Henne et al.	D10/65
D609,681 S *	2/2010	Cho et al.	D14/138 AD	D644,543 S *	9/2011	Henne et al.	D10/65
D612,356 S *	3/2010	Chen	D14/138 AD	D659,562 S *	5/2012	Groener et al.	D10/65
D616,773 S *	6/2010	Hou	D10/65	D659,563 S *	5/2012	Groener et al.	D10/65
D632,984 S *	2/2011	Register et al.	D10/65	D659,566 S *	5/2012	Register et al.	D10/65
D636,371 S *	4/2011	Spielvogel et al.	D14/142	D665,767 S *	8/2012	Hancock	D14/159
				2010/0070171 A1 *	3/2010	Barbeau et al.	701/207
				2010/0311478 A1 *	12/2010	Knoppert et al.	455/575.4

* cited by examiner

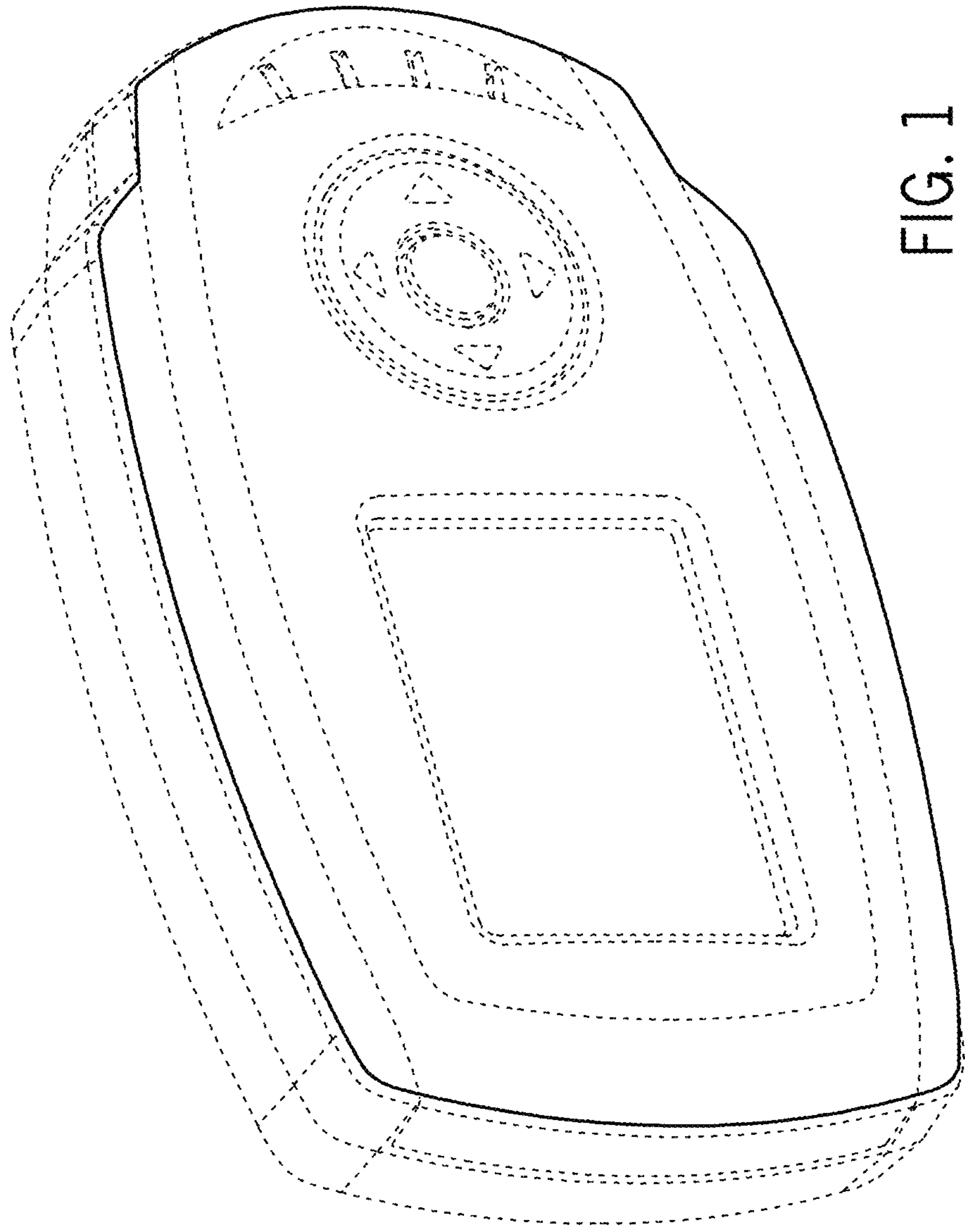


FIG. 1

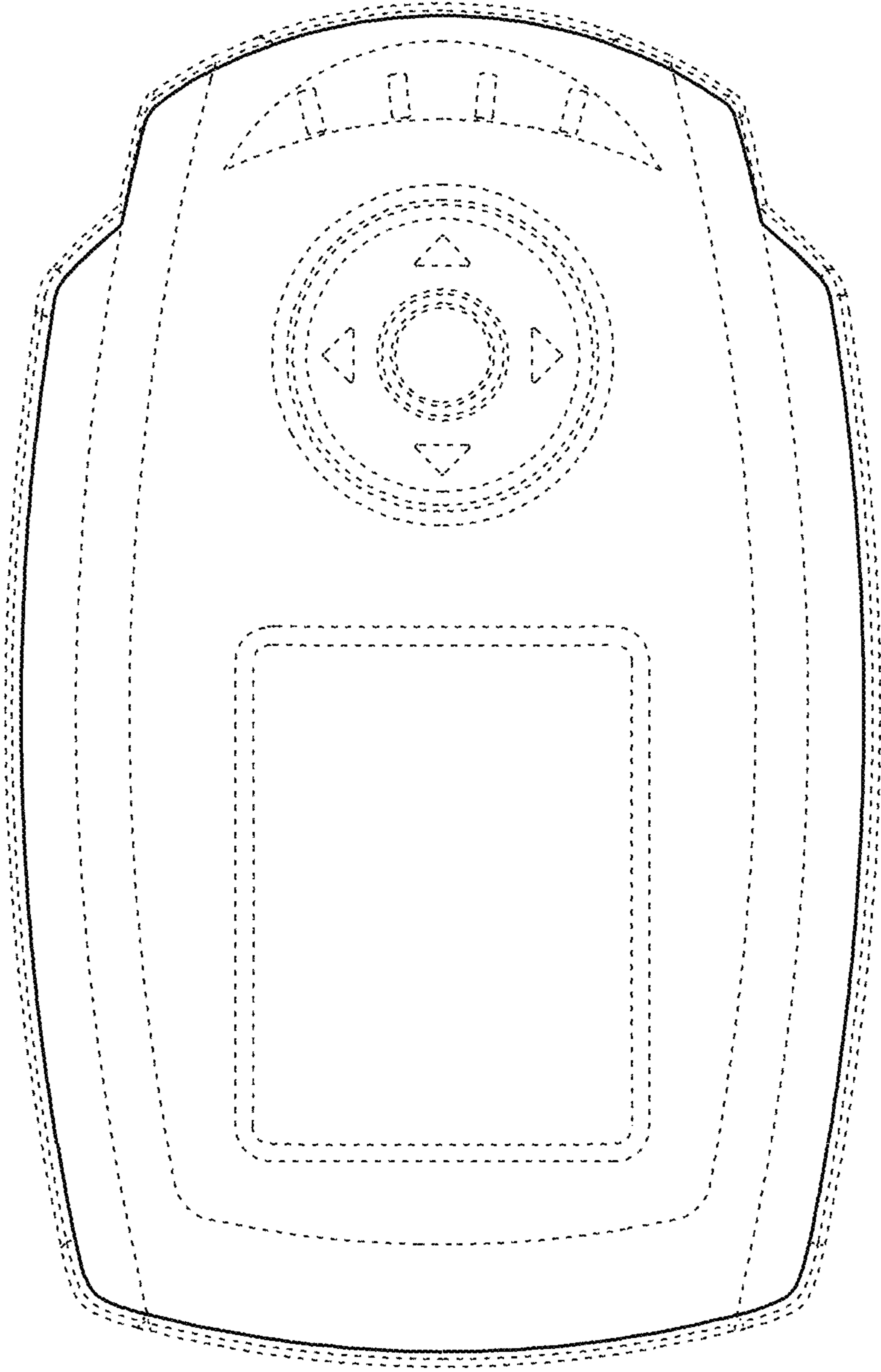


FIG. 2

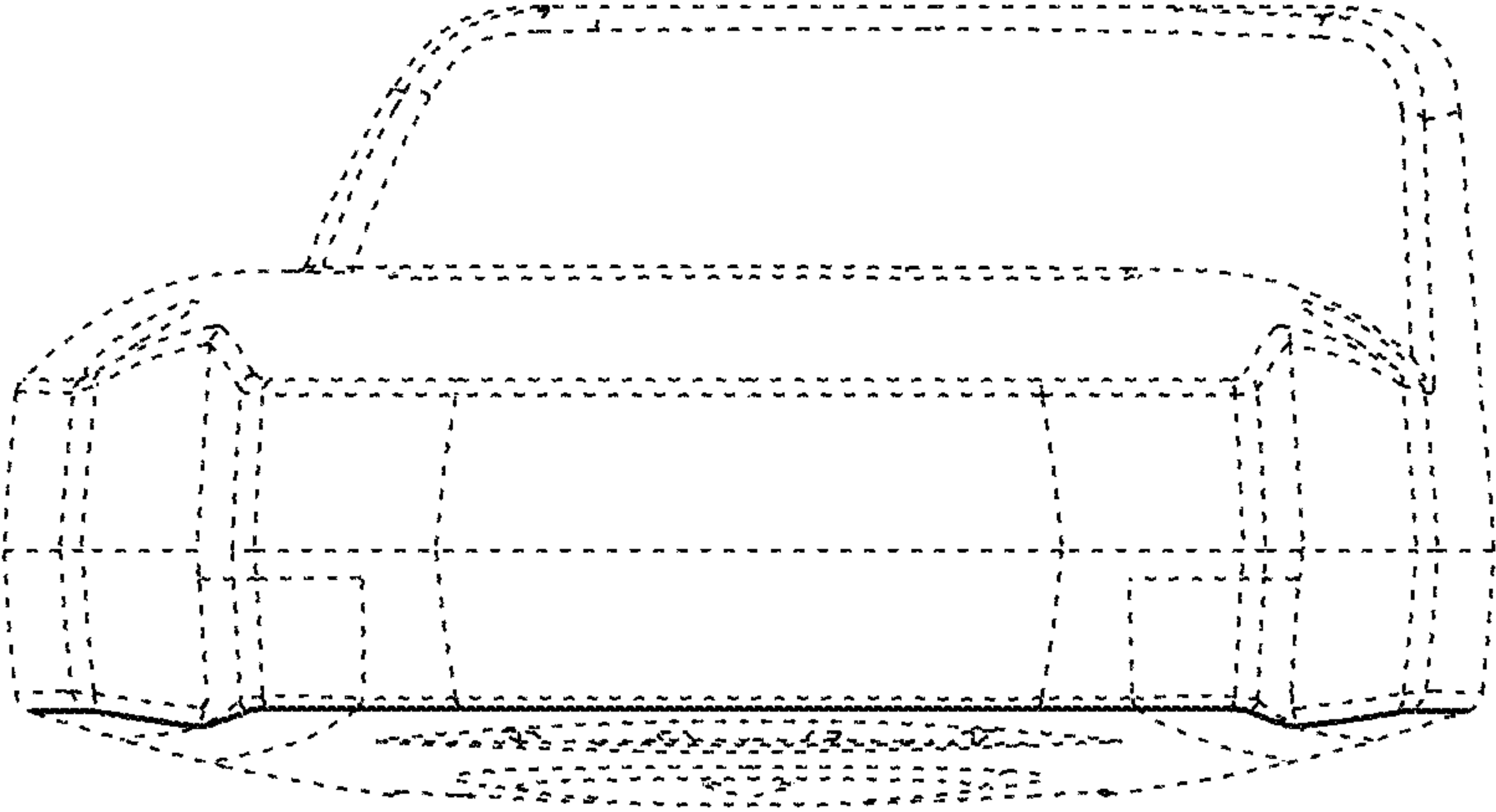


FIG. 4

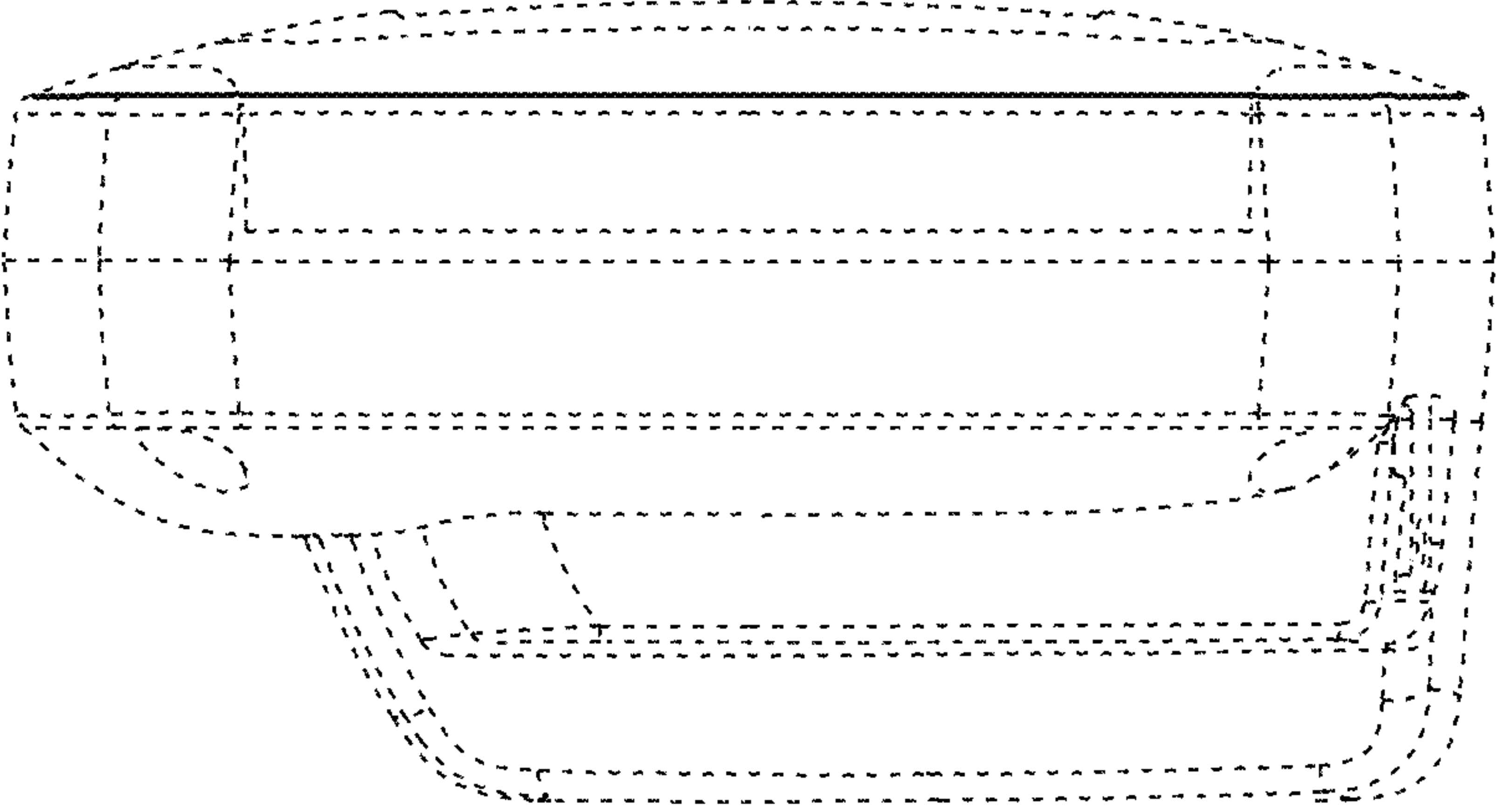


FIG. 3

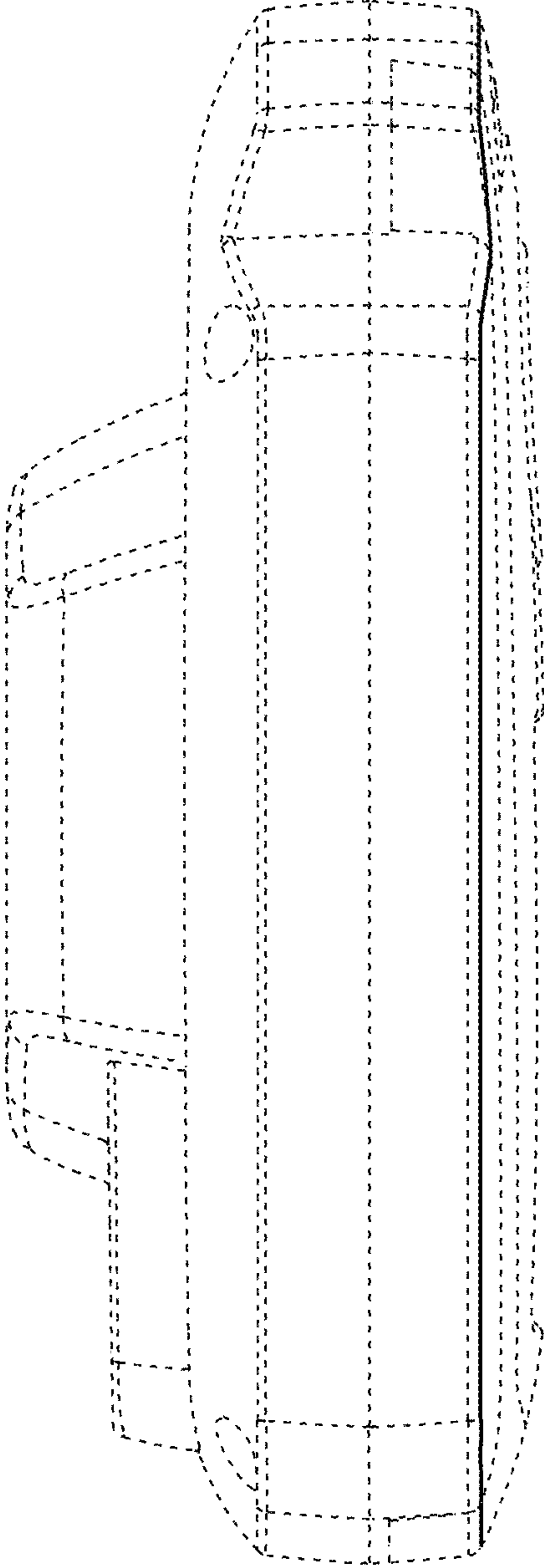


FIG. 5

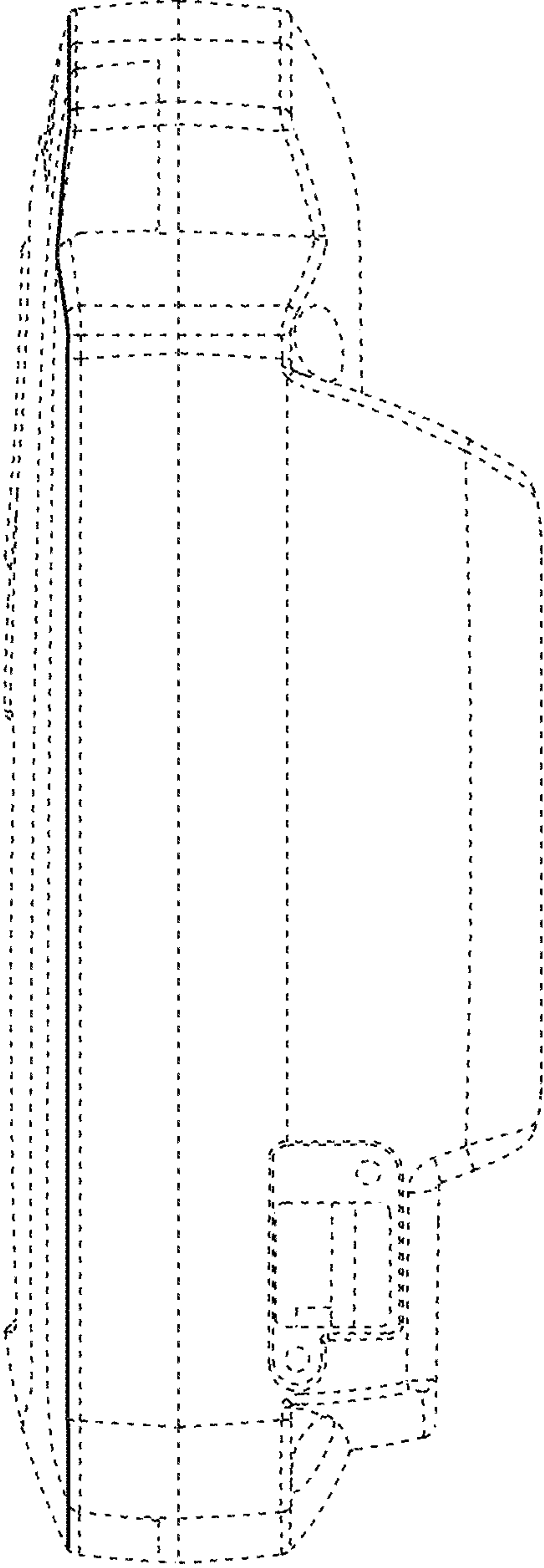


FIG. 6

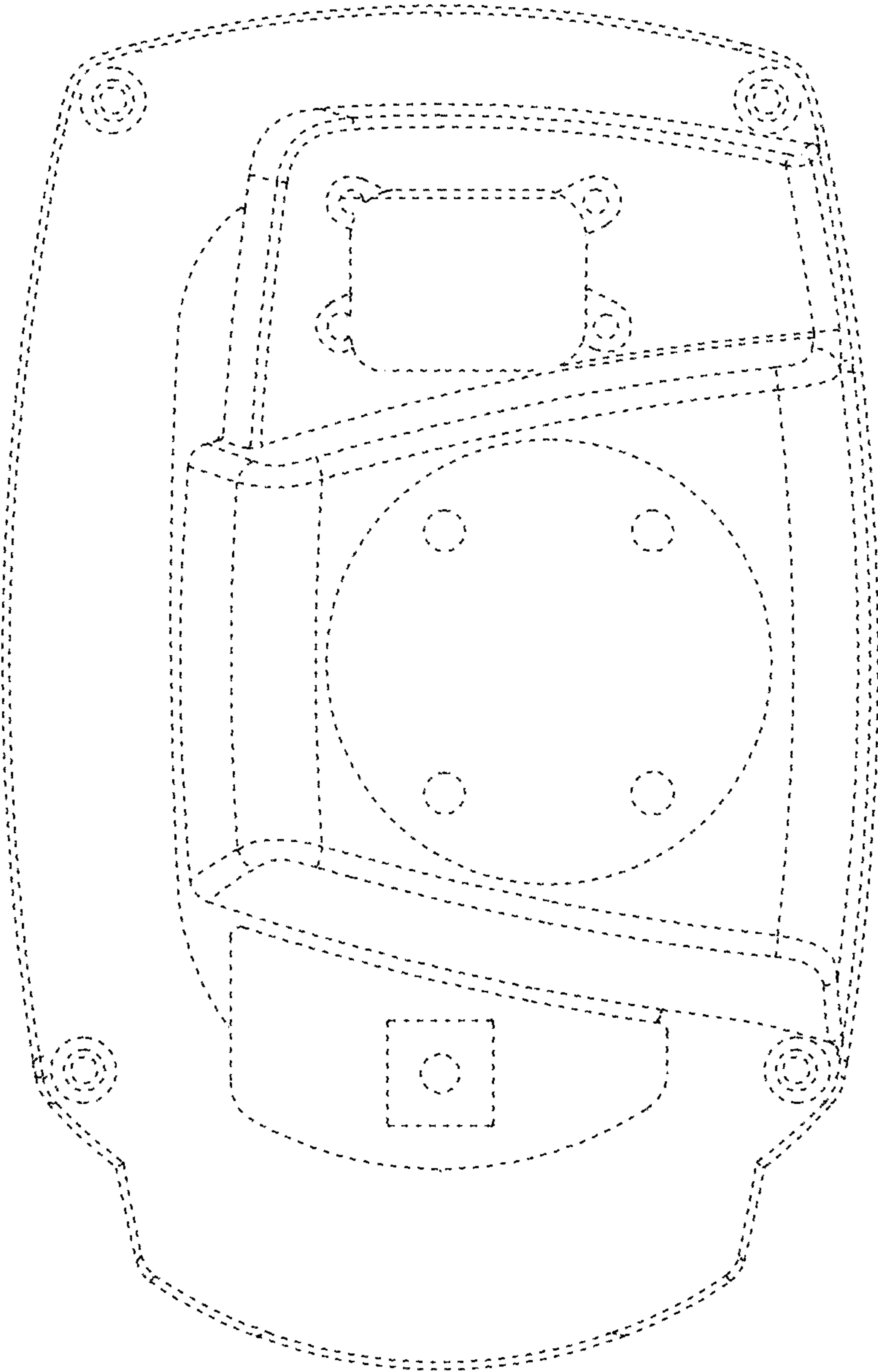


FIG. 7