



US00D741822S

(12) **United States Design Patent**
Yeh et al.

(10) **Patent No.:** **US D741,822 S**
(45) **Date of Patent:** **** *Oct. 27, 2015**

(54) **LIGHT-EMITTING DIODE ARRAY**

(71) Applicant: **EPISTAR CORPORATION**, Hsinchu (TW)

(72) Inventors: **Hui-Chun Yeh**, Hsinchu (TW);
Chien-Fu Shen, Hsinchu (TW);
Tsun-Kai Ko, Hsinchu (TW)

(73) Assignee: **EPISTAR CORPORATION**, Hsinchu (TW)

(*) Notice: This patent is subject to a terminal disclaimer.

(**) Term: **14 Years**

(21) Appl. No.: **29/492,057**

(22) Filed: **May 28, 2014**

(51) **LOC (10) Cl.** **13-03**

(52) **U.S. Cl.**
USPC **D13/180**

(58) **Field of Classification Search**
USPC D13/180; D26/1; 257/79, 80, 81, 88,
257/89, 95, 98, 99, 100, E33.058; 313/483,
313/498, 500; 362/555, 800
See application file for complete search history.

(56) **References Cited**

U.S. PATENT DOCUMENTS

D644,188	S	*	8/2011	Shen et al.	D13/180
D681,559	S	*	5/2013	Shen et al.	D13/180
D681,560	S	*	5/2013	Shen et al.	D13/180
D681,561	S	*	5/2013	Shen et al.	D13/180

D681,562	S	*	5/2013	Shen et al.	D13/180
D681,565	S	*	5/2013	Yeh et al.	D13/180
D681,566	S	*	5/2013	Chen et al.	D13/180
D681,568	S	*	5/2013	Yeh et al.	D13/180
D687,396	S	*	8/2013	Chen et al.	D13/180
D689,447	S	*	9/2013	Shen et al.	D13/180
D697,490	S	*	1/2014	Yeh et al.	D13/180
8,692,285	B2	*	4/2014	Nagai	257/99
D709,841	S	*	7/2014	Yeh et al.	D13/180
D719,112	S	*	12/2014	Yeh	D13/180
2013/0299853	A1	*	11/2013	Chen et al.	257/88
2014/0209938	A1	*	7/2014	Emura et al.	257/88

* cited by examiner

Primary Examiner — Selina Sikder

(74) *Attorney, Agent, or Firm* — Muncy, Geissler, Olds & Lowe, P.C.

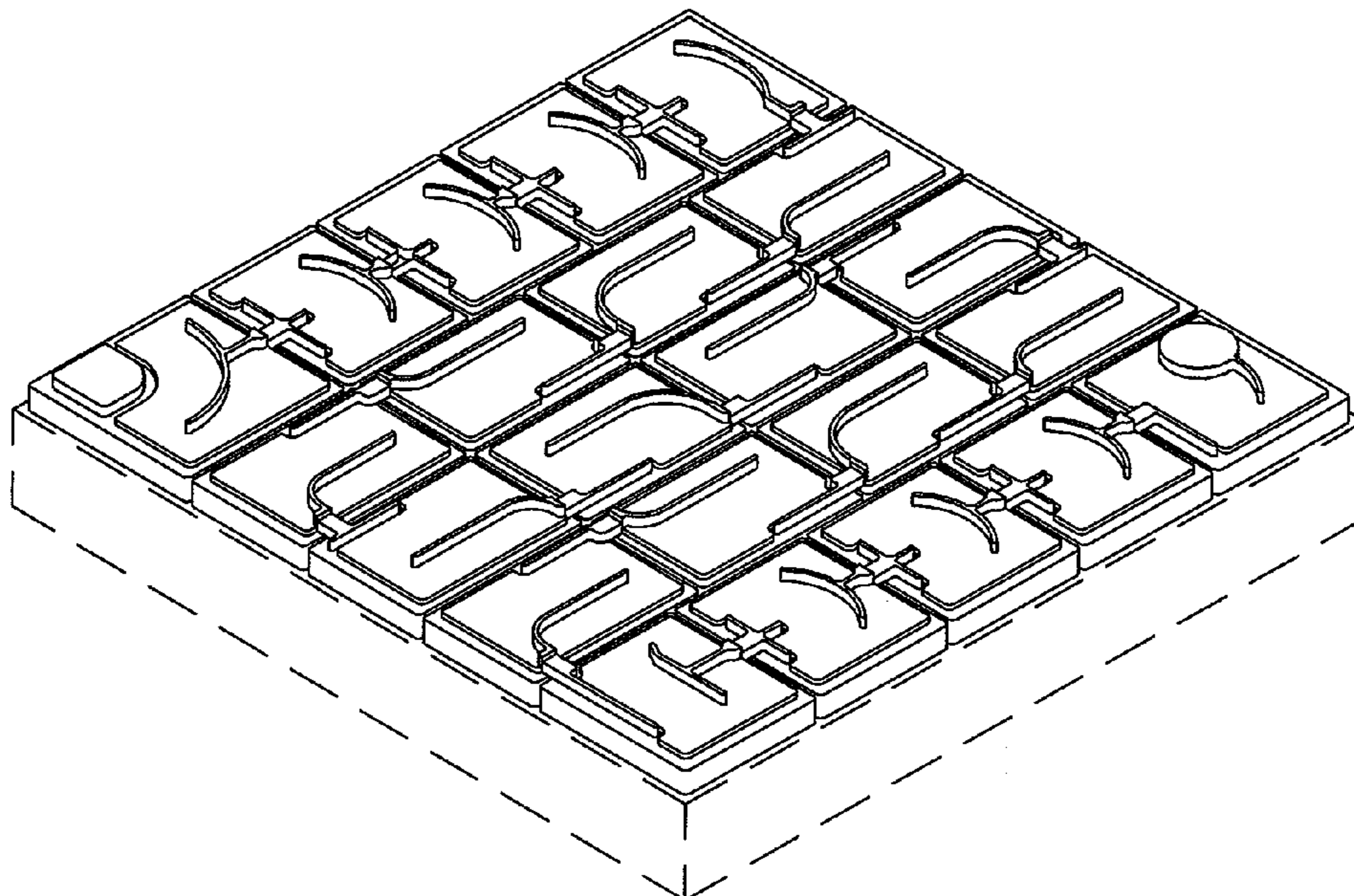
(57) **CLAIM**

The ornamental design for a light-emitting diode array, as shown and described.

DESCRIPTION

FIG. 1 is a perspective view of a light-emitting diode array showing our new design;
FIG. 2 is another perspective view thereof;
FIG. 3 is a front elevational view thereof;
FIG. 4 is a rear elevational view thereof;
FIG. 5 is a left side view thereof;
FIG. 6 is a right side view thereof;
FIG. 7 is a top plan view thereof; and,
FIG. 8 is a bottom plan view thereof.
The broken line showing is for the purpose of illustrating environmental structure only and forms no part of the claimed design.

1 Claim, 6 Drawing Sheets



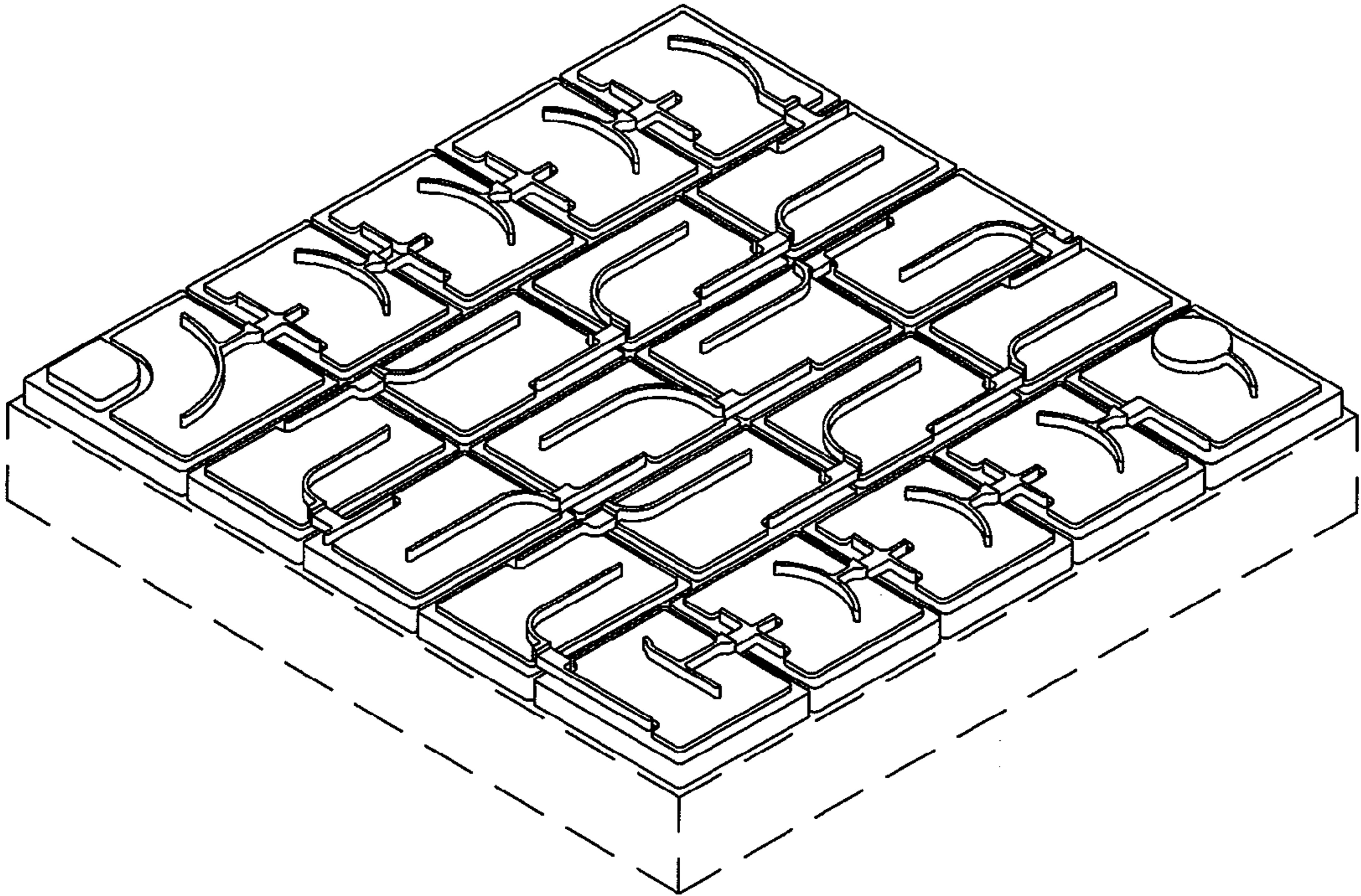


FIG. 1

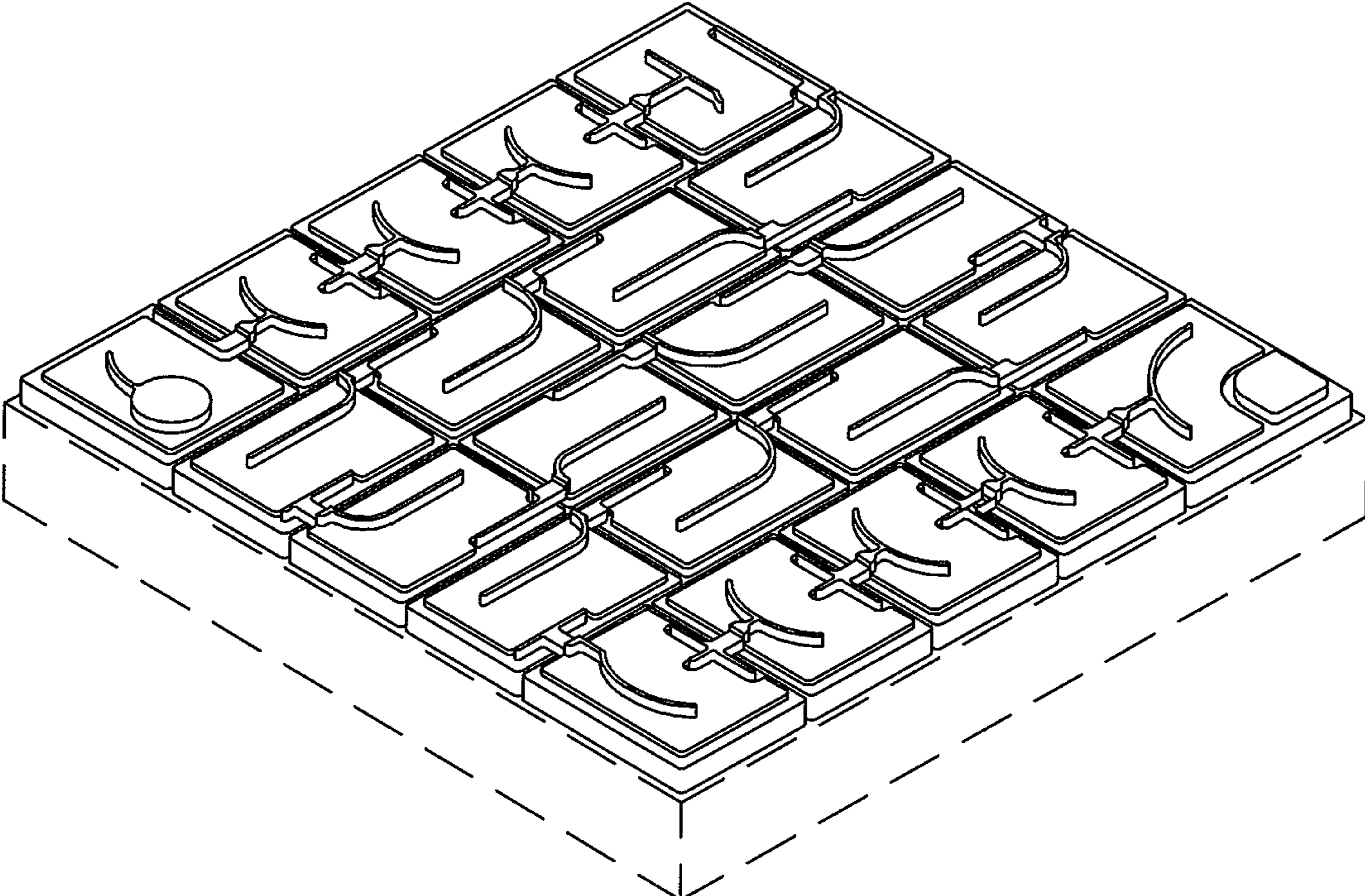


FIG. 2

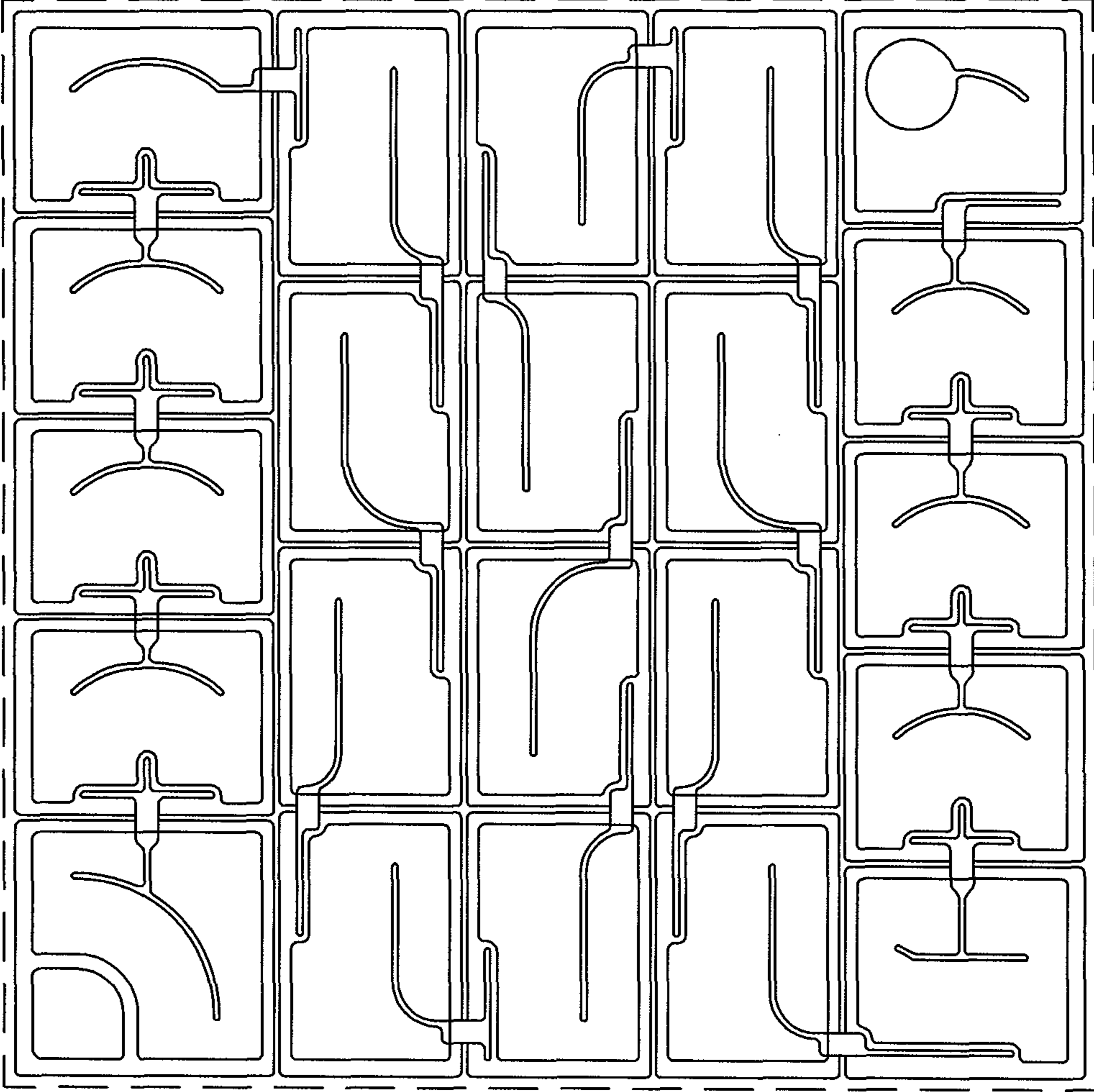


FIG. 3

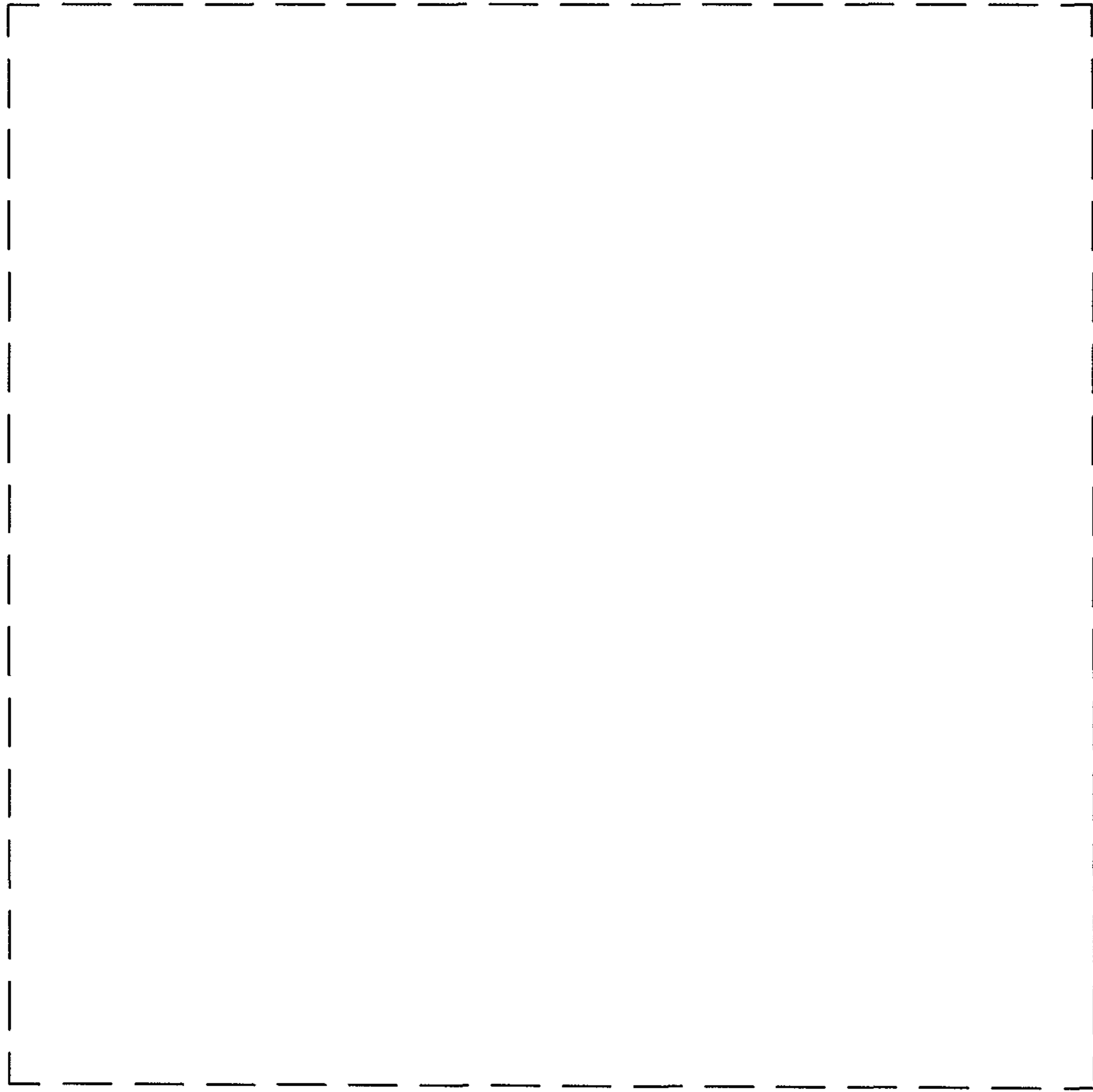


FIG. 4

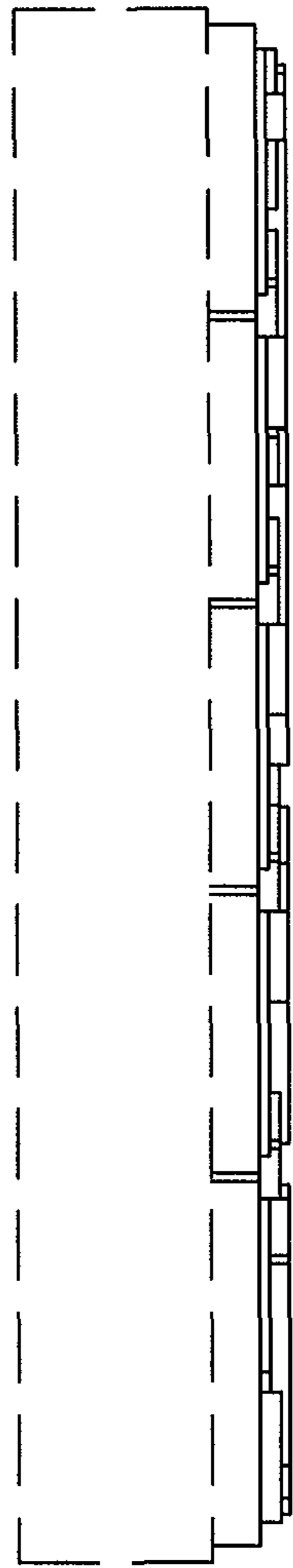


FIG. 5

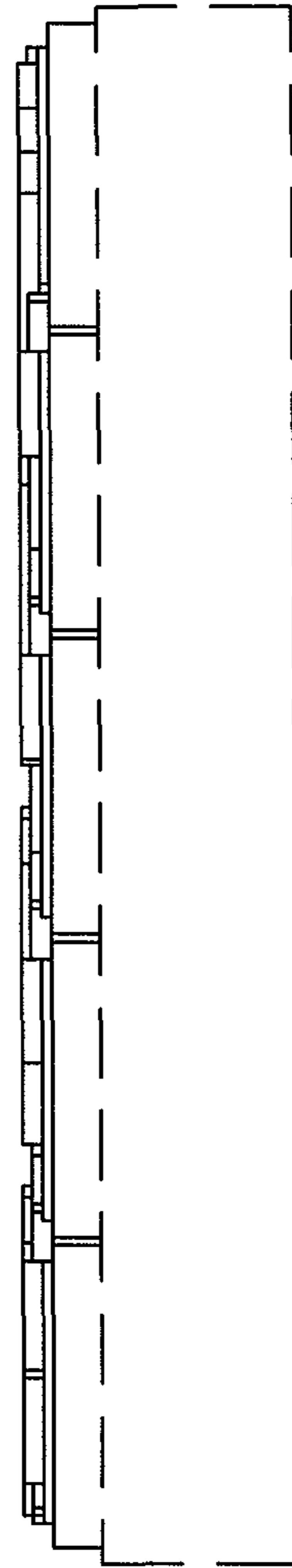


FIG. 6

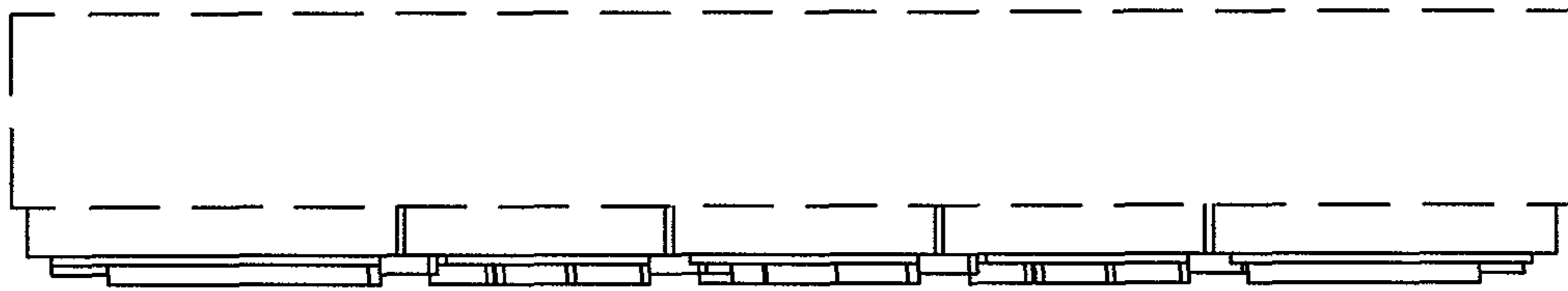


FIG. 7

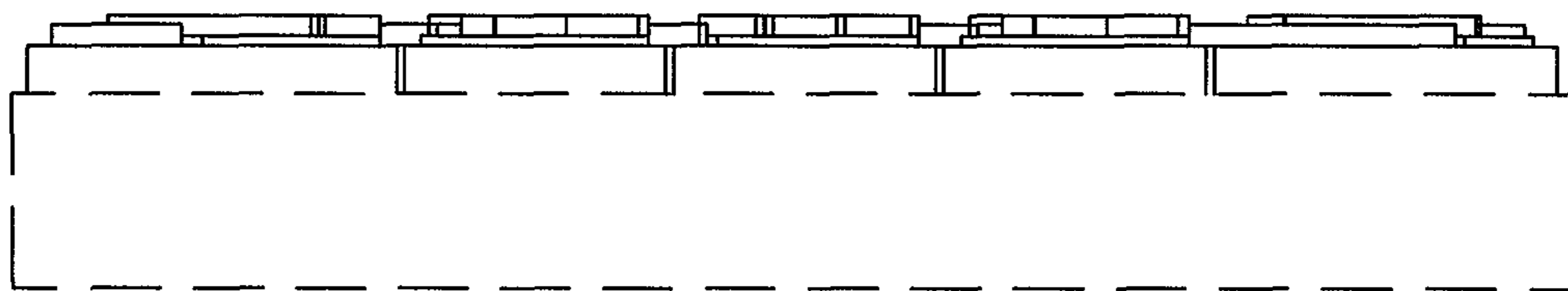


FIG. 8