



US00D741820S

(12) **United States Design Patent**
Madsen et al.

(10) **Patent No.:** **US D741,820 S**

(45) **Date of Patent:** **** *Oct. 27, 2015**

(54) **BUTTON FOR AN ELECTRICAL SWITCH**

(71) Applicant: **Control4 Corporation**, Salt Lake City, UT (US)

(72) Inventors: **Brent Delbert Madsen**, Salt Lake City, UT (US); **Scott Edward Stephenson**, Salt Lake City, UT (US)

(73) Assignee: **Control4 Corporation**, Salt Lake City, UT (US)

(*) Notice: This patent is subject to a terminal disclaimer.

(**) Term: **14 Years**

(21) Appl. No.: **29/480,695**

(22) Filed: **Jan. 28, 2014**

(51) **LOC (10) Cl.** **13-03**

(52) **U.S. Cl.**
USPC **D13/174**

(58) **Field of Classification Search**
USPC D13/162, 164, 171, 174; 174/66;
200/5 R, 5 A, 302.2, 520, 530, 293, 296,
200/308, 310, 314, 329, 341; 220/241;
307/139, 157; 315/209 R, 224, 246,
315/291, 294, 295

See application file for complete search history.

(56) **References Cited**

U.S. PATENT DOCUMENTS

5,783,787	A *	7/1998	Data	200/5 R
D412,491	S *	8/1999	Mayo et al.	D13/164
D456,783	S *	5/2002	Mayo et al.	D13/164
D504,403	S *	4/2005	Savicki et al.	D13/169
6,989,489	B1 *	1/2006	Savicki, Jr.	174/50
D518,001	S *	3/2006	Chen	D13/174

7,019,241	B2 *	3/2006	Grassl et al.	200/339
D518,793	S *	4/2006	Hedderich et al.	D13/162
D524,256	S *	7/2006	Chen	D13/174
D526,282	S *	8/2006	Chen	D13/174
D586,762	S *	2/2009	Nichols et al.	D13/171
D626,093	S *	10/2010	Bates	D13/174
8,149,591	B2 *	4/2012	Feldstein et al.	361/810
8,289,716	B2 *	10/2012	Patel et al.	361/728
D678,222	S *	3/2013	Wisniewski et al.	D13/174
D707,637	S *	6/2014	Feldstein et al.	D13/162
D715,231	S *	10/2014	O'Donnell	D13/174
D717,250	S *	11/2014	Chambers et al.	D13/174
D721,662	S *	1/2015	Chambers et al.	D13/174
2002/0056628	A1 *	5/2002	Capella	200/314
2010/0214756	A1 *	8/2010	Feldstein	361/807

* cited by examiner

Primary Examiner — Selina Sikder

(74) *Attorney, Agent, or Firm* — Austin Rapp & Hardman

(57) **CLAIM**

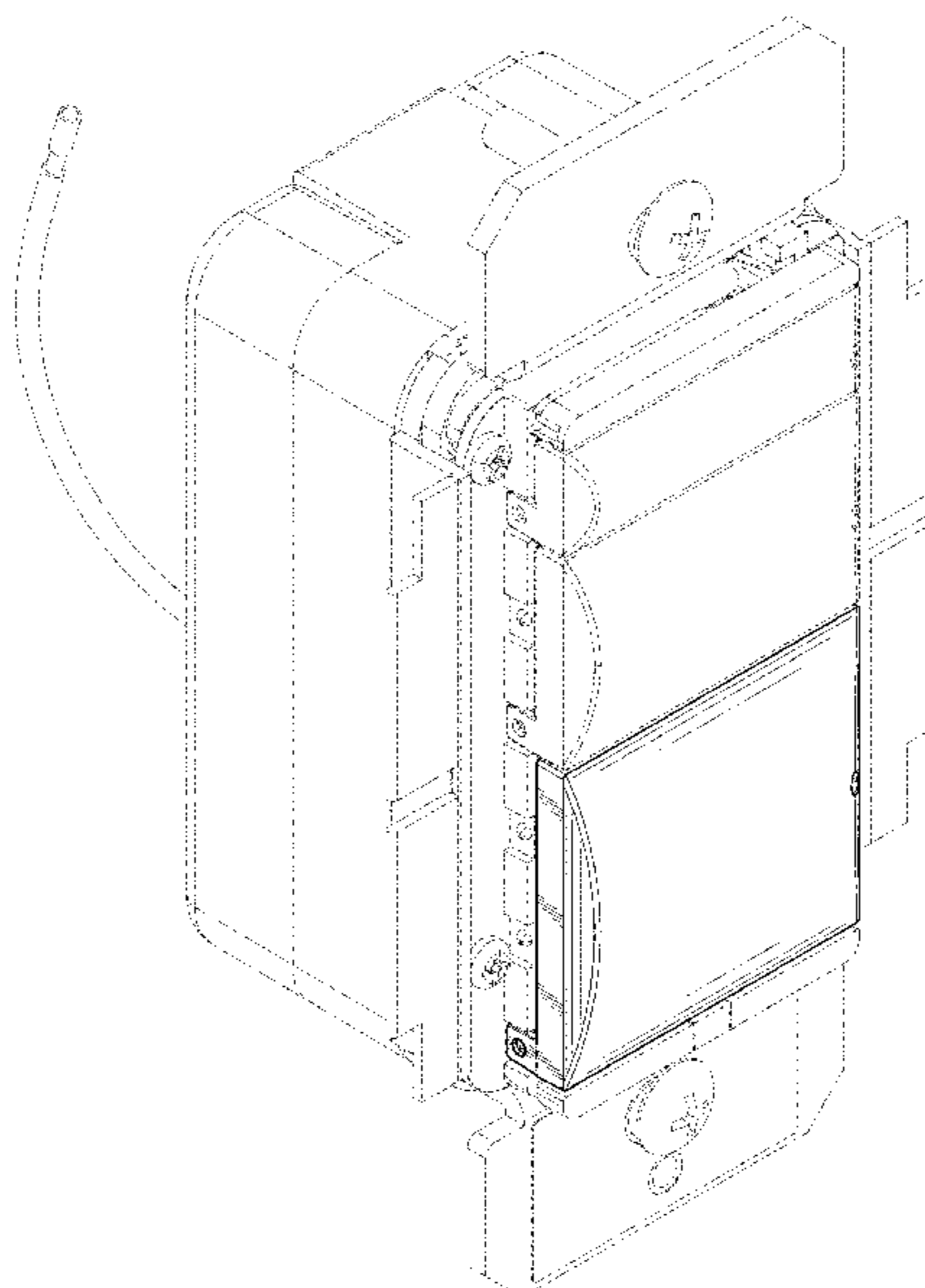
The ornamental design for a button for an electrical switch, as shown and described.

DESCRIPTION

FIG. 1 is a front perspective view of our new design for a button for an electrical switch;
FIG. 2 is a front perspective view thereof;
FIG. 3 is a rear perspective view thereof;
FIG. 4 is a front view thereof;
FIG. 5 is a top view thereof, which is a mirror image of the bottom view;
FIG. 6 is a right side view thereof;
FIG. 7 is a rear view thereof; and,
FIG. 8 is a left side view thereof.

The portions of the drawings appearing in broken lines are for environment only and do not form a part of the claimed design.

1 Claim, 3 Drawing Sheets



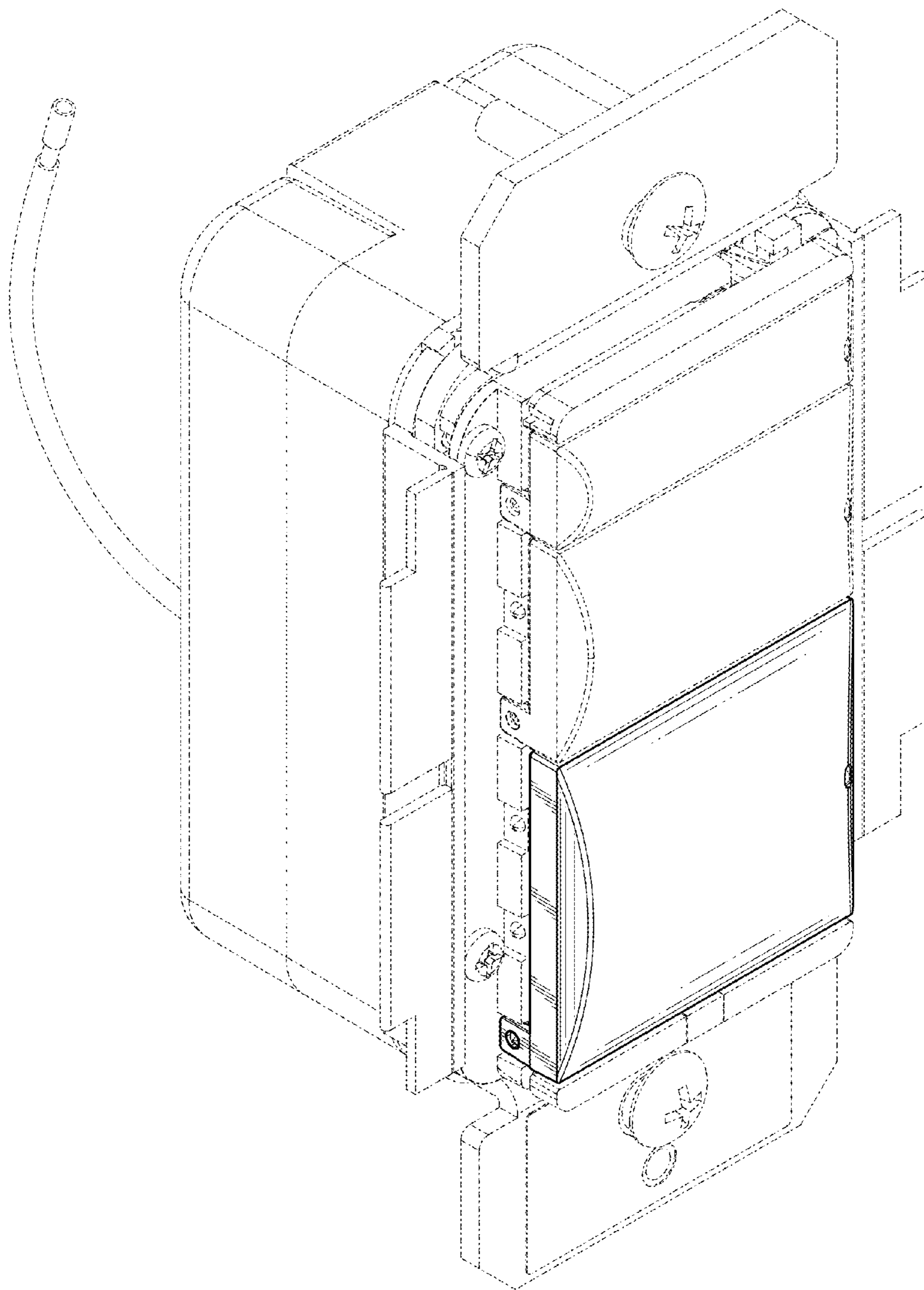


FIG. 1

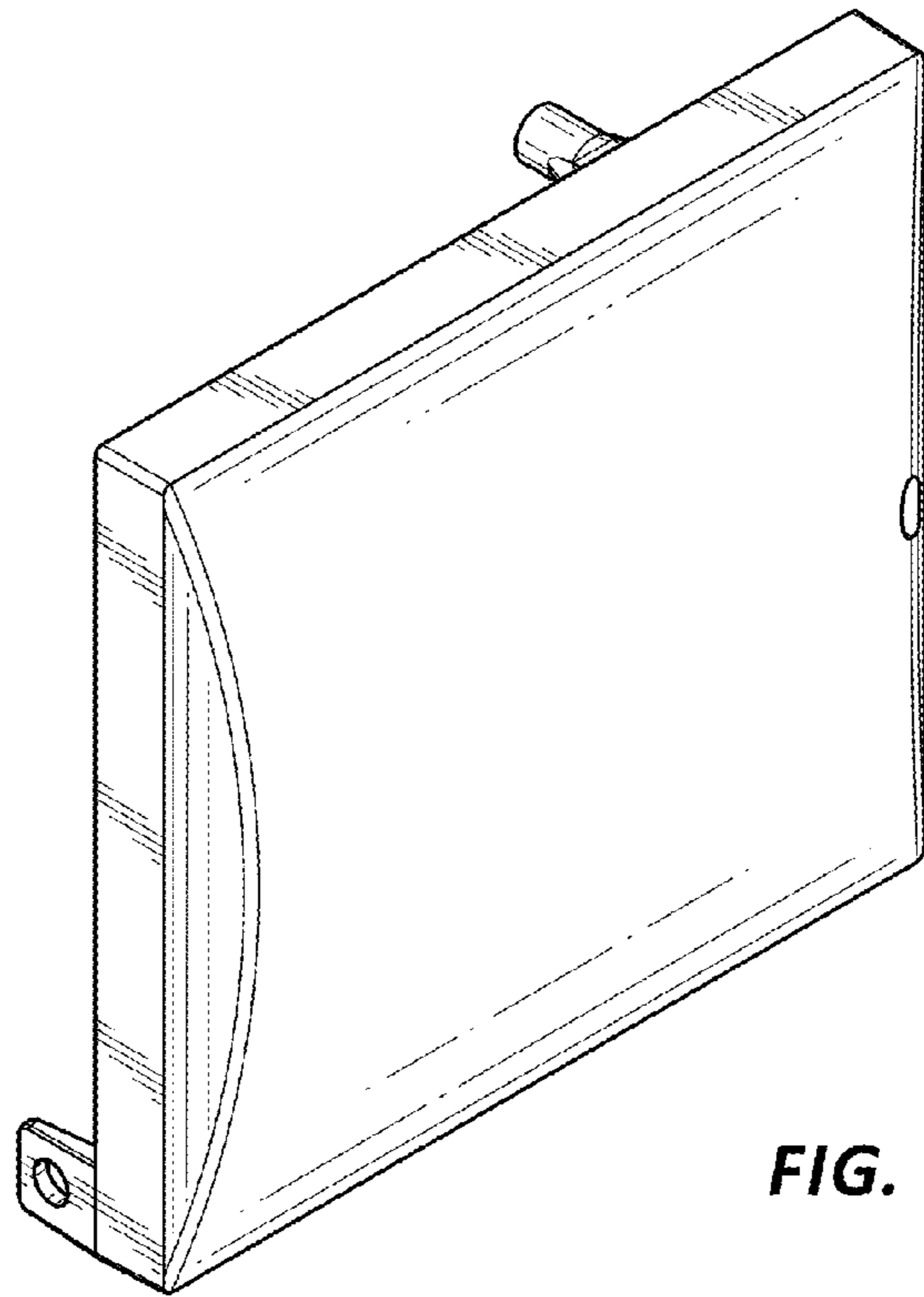


FIG. 2

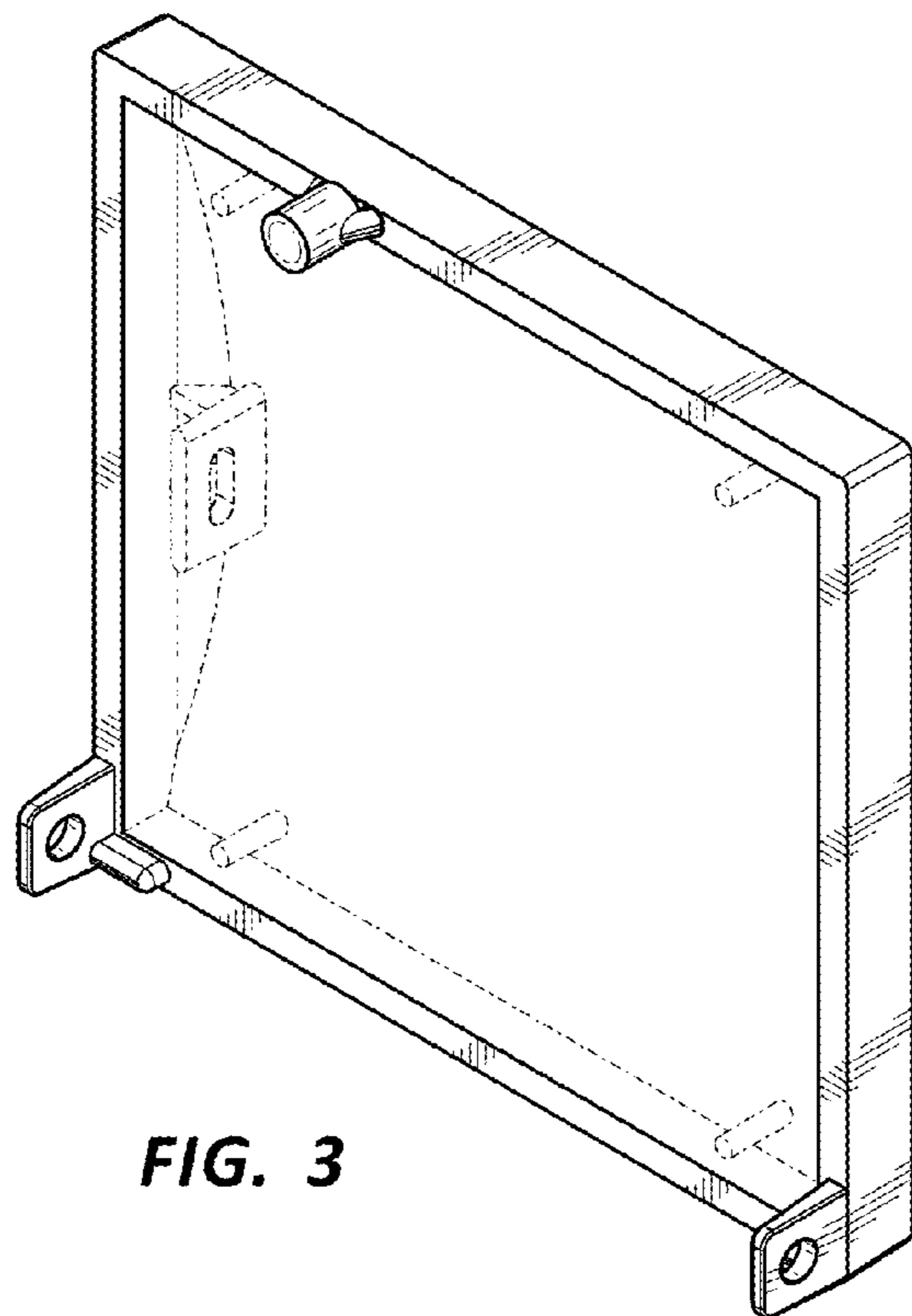


FIG. 3

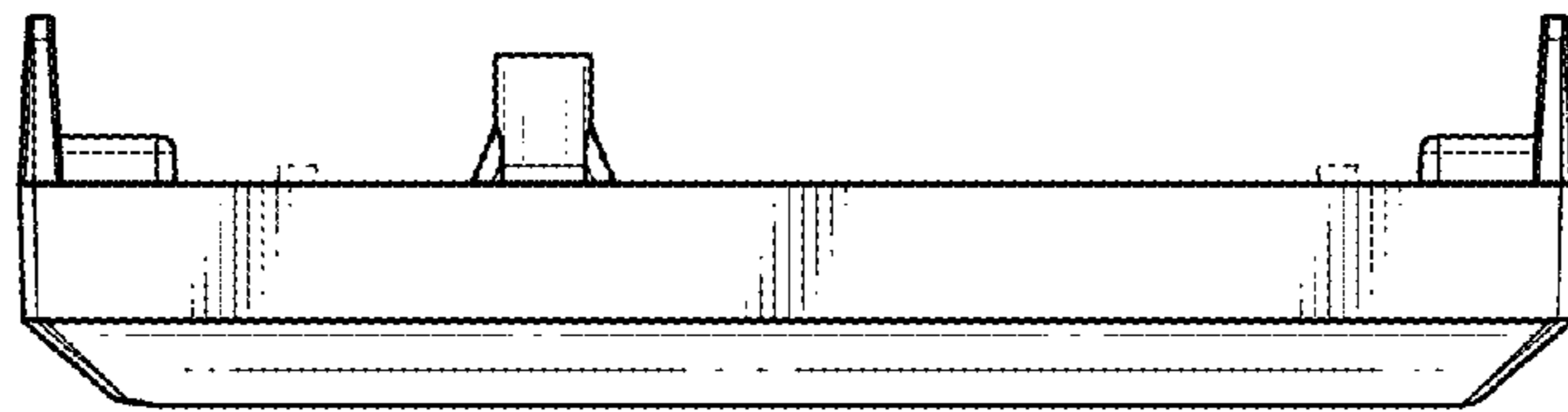


FIG. 5

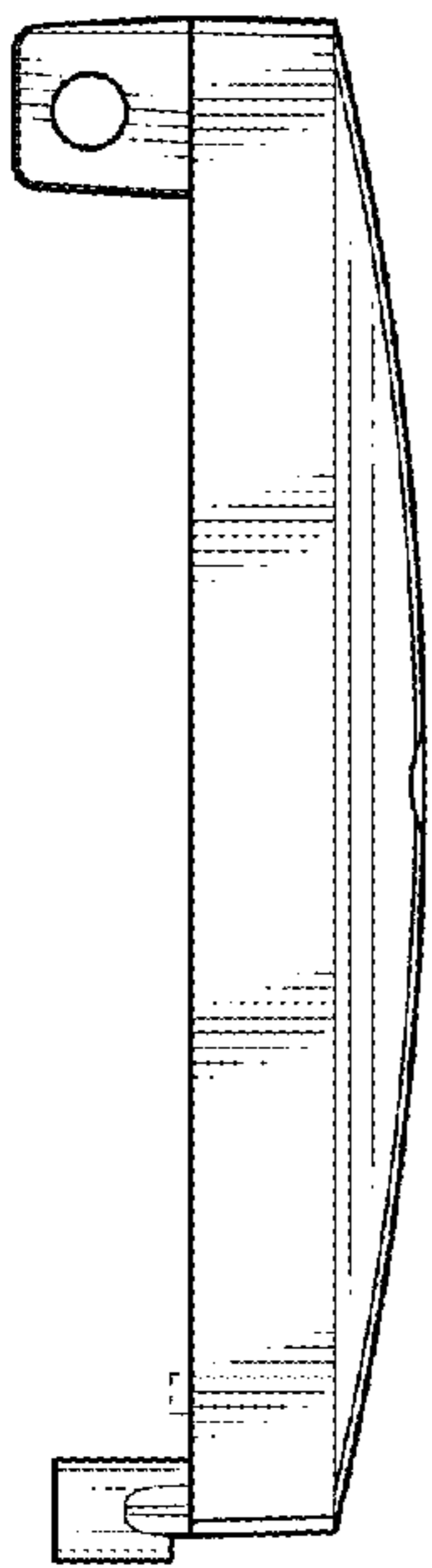


FIG. 8

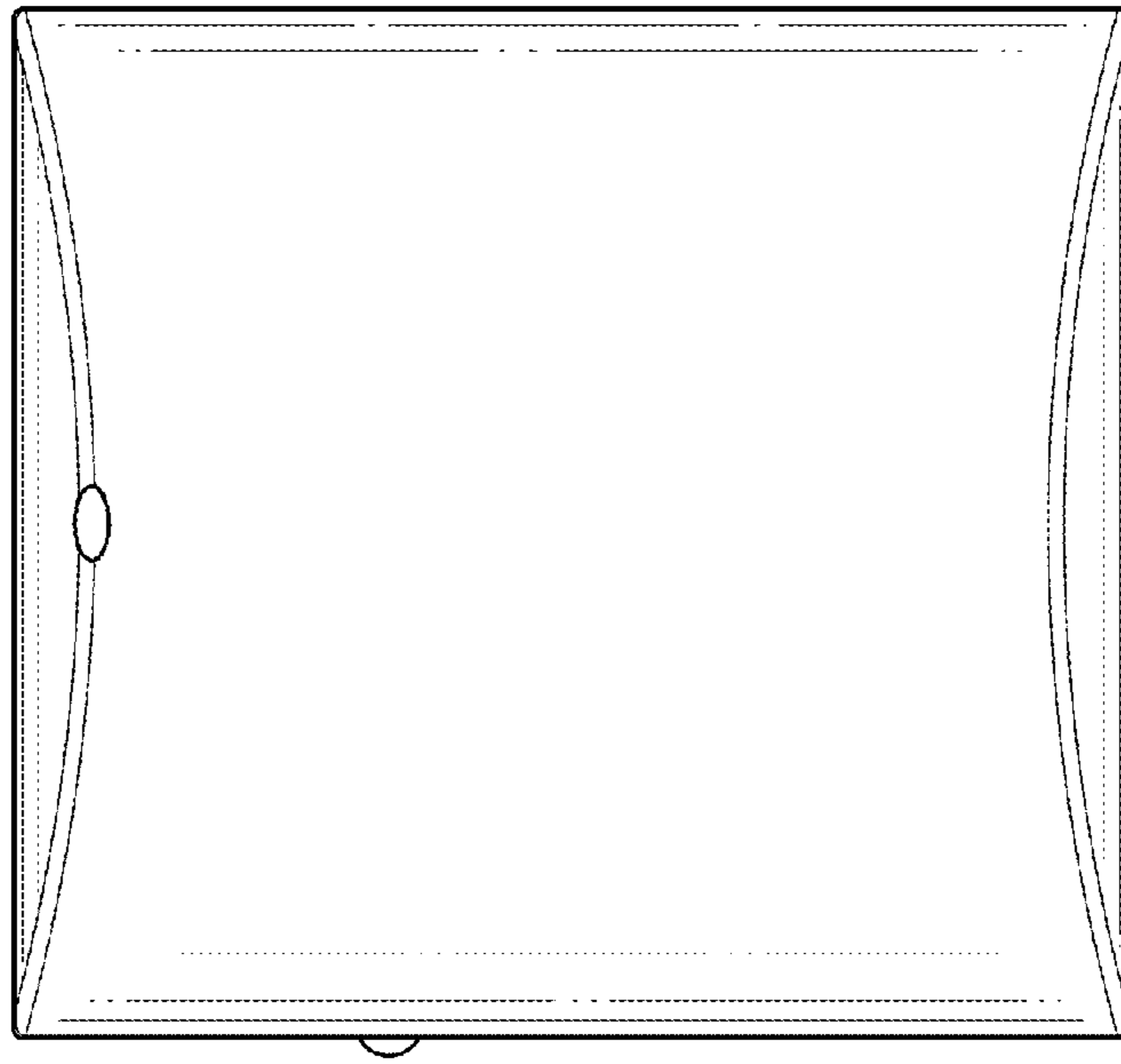


FIG. 4

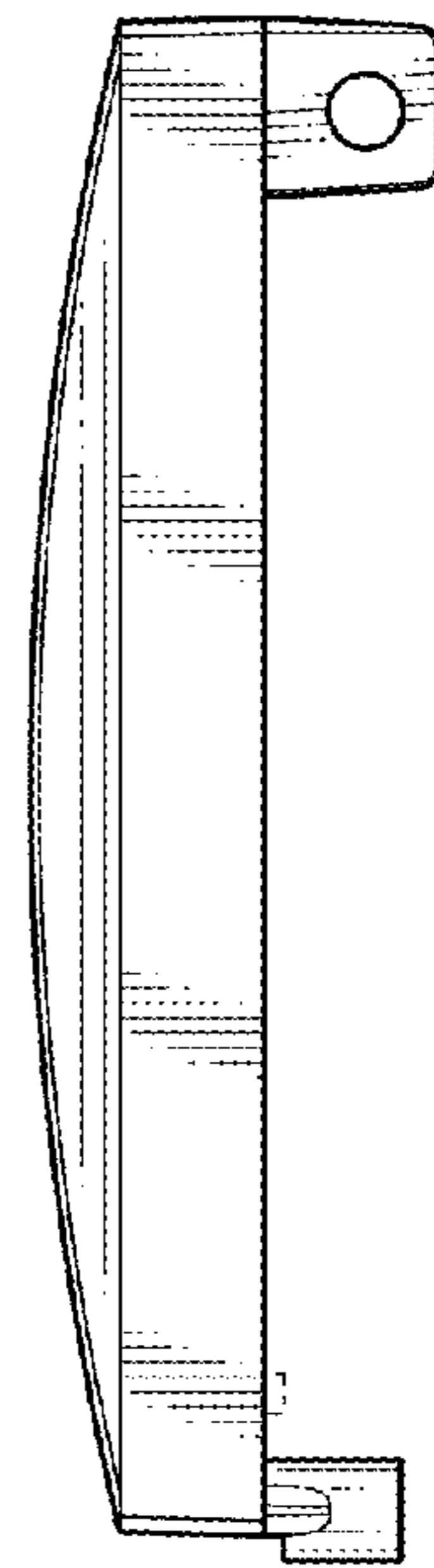


FIG. 6

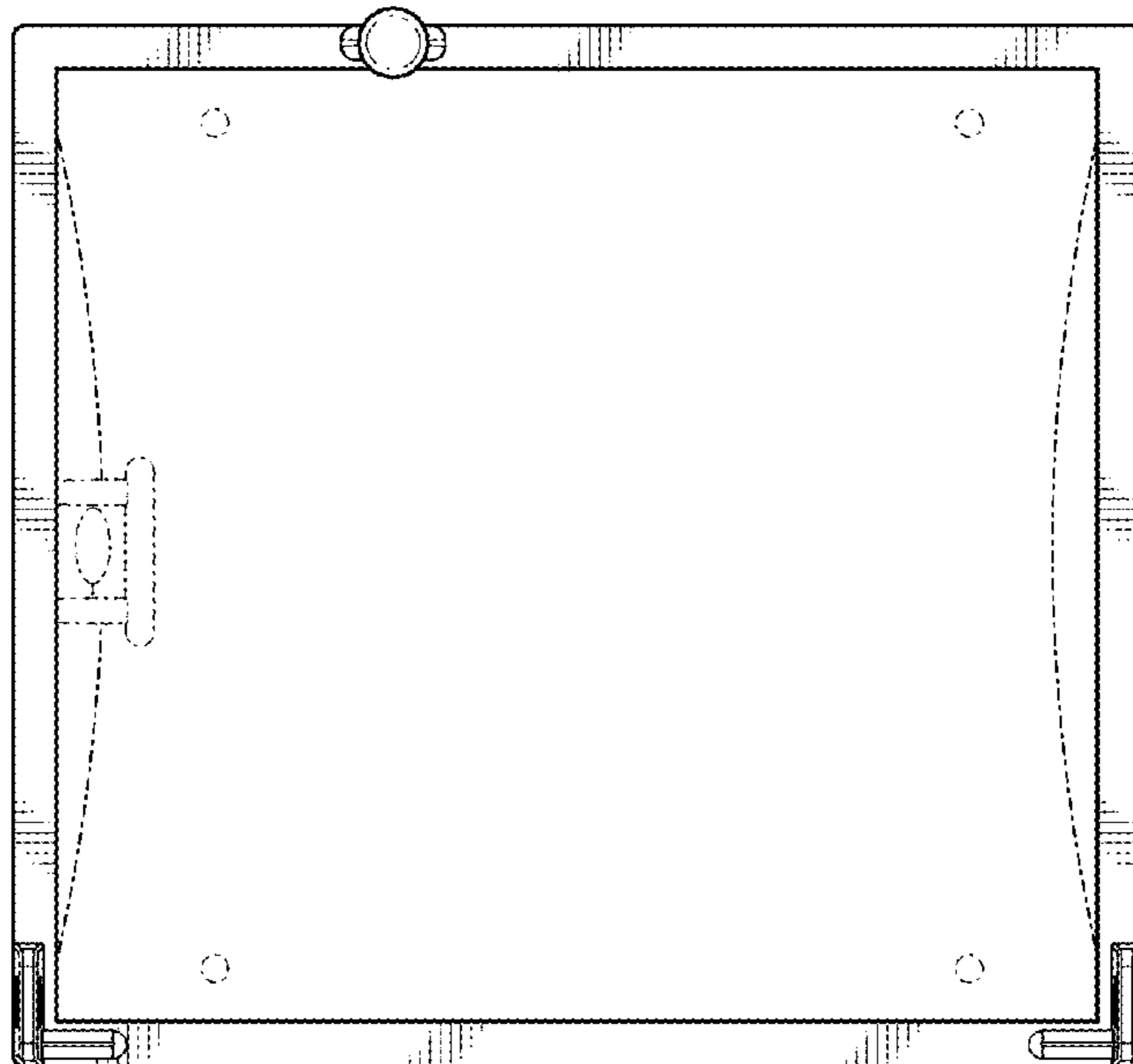


FIG. 7