



US00D741818S

(12) **United States Design Patent**  
**Paredes et al.**

(10) **Patent No.:** **US D741,818 S**  
(45) **Date of Patent:** **\*\* Oct. 27, 2015**

(54) **BARRIER OPERATOR**

- (71) Applicant: **The Chamberlain Group, Inc.**,  
Elmhurst, IL (US)
- (72) Inventors: **Apollo Paul Paredes**, Taylor, MI (US);  
**Eric Peterson**, North Aurora, IL (US)
- (73) Assignee: **The Chamberlain Group, Inc.**,  
Elmhurst, IL (US)
- (\*\*) Term: **14 Years**
- (21) Appl. No.: **29/503,558**
- (22) Filed: **Sep. 26, 2014**

**Related U.S. Application Data**

- (63) Continuation of application No. 29/488,312, filed on  
Apr. 17, 2014.
- (51) **LOC (10) Cl.** ..... **14-03**
- (52) **U.S. Cl.**  
USPC ..... **D13/168**
- (58) **Field of Classification Search**  
USPC ..... D13/168; D10/104.1, 106.1; D14/218,  
D14/402-410, 454  
CPC ..... H03J 1/0025; H03J 9/00; H03J 9/02;  
H03J 9/04; H03J 9/06; H01H 9/0235; H04B  
1/202; G05B 11/01; G08C 17/00; G08C  
17/02; G08C 19/28; G08C 23/04; G08C  
2201/20; G08C 2201/30; G08C 2201/33;  
G08C 2201/40; G08C 2201/91; G08C  
2201/92; E05Y 2900/106; G07C 9/00182;  
G07C 9/00309

See application file for complete search history.

(56) **References Cited**

U.S. PATENT DOCUMENTS

D335,875	S	*	5/1993	Chen	.....	D14/407
D377,459	S	*	1/1997	Dziersk	.....	D10/106.1
D386,163	S	*	11/1997	Cheng	.....	D14/407
D450,701	S	*	11/2001	Koeller	.....	D14/403
D495,665	S	*	9/2004	Stekelenburg	.....	D13/168
D497,880	S	*	11/2004	Apotheloz	.....	D13/168
D509,481	S	*	9/2005	Murtaugh et al.	.....	D13/168
D542,235	S	*	5/2007	Rashid	.....	D13/168
D589,906	S	*	4/2009	Tupinier	.....	D13/168
D667,381	S	*	9/2012	Rolli et al.	.....	D13/168
8,976,006	B2	*	3/2015	Krupke et al.	.....	340/5.71
2007/0013477	A1	*	1/2007	Fitzgibbon et al.	.....	340/5.52
2007/0046231	A1	*	3/2007	Mullet et al.	.....	318/280
2007/0188120	A1	*	8/2007	Mullet et al.	.....	318/280
2007/0294961	A1	*	12/2007	Reed et al.	.....	52/111
2010/0242369	A1	*	9/2010	Laird	.....	49/358
2013/0027181	A1	*	1/2013	King	.....	340/5.54
2014/0320263	A1	*	10/2014	Fan et al.	.....	340/5.71
2014/0368322	A1	*	12/2014	Mullet et al.	.....	340/12.5

\* cited by examiner

*Primary Examiner* — Selina Sikder

(74) *Attorney, Agent, or Firm* — Fitch Even Tabin & Flannery LLP

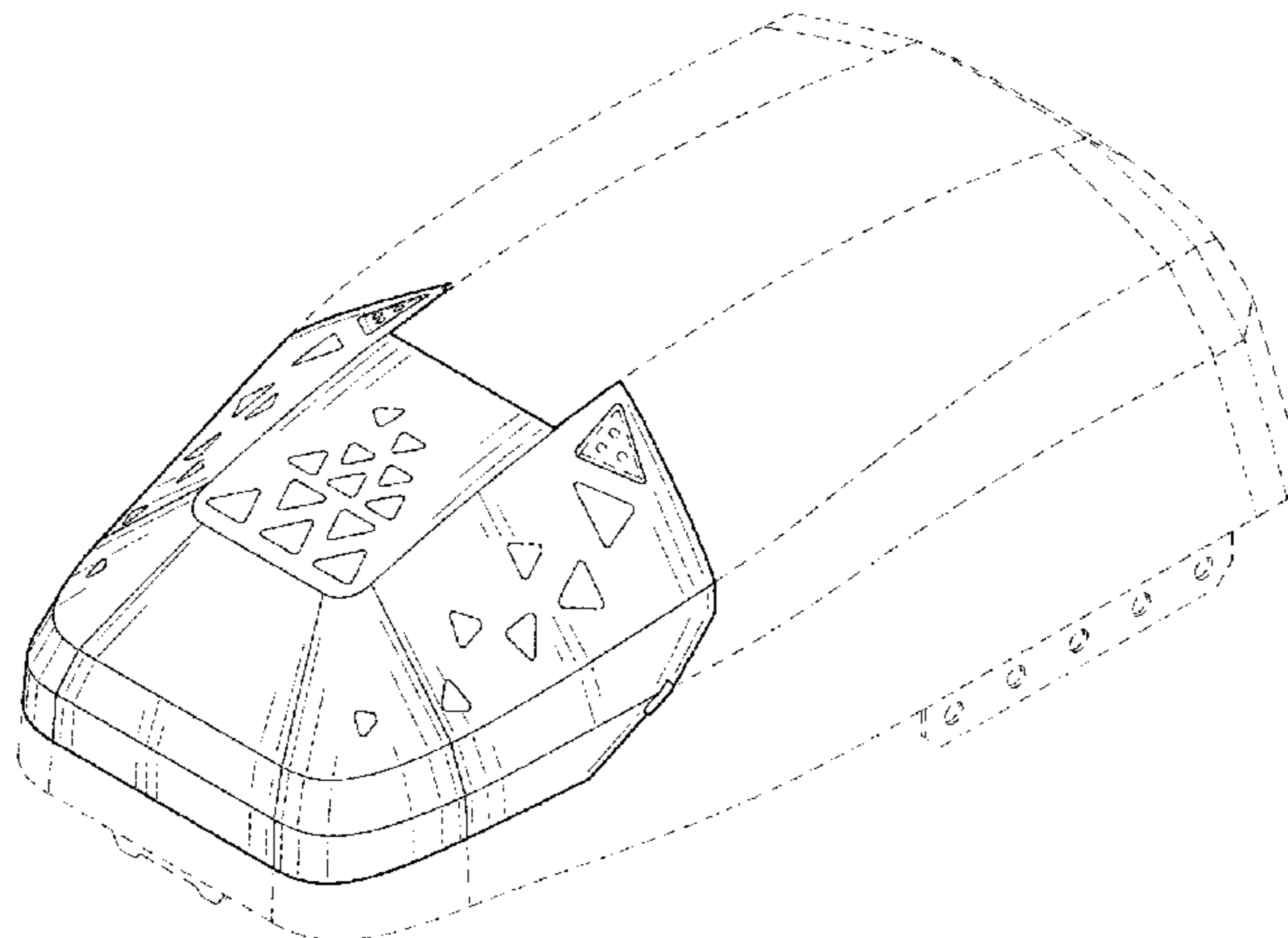
(57) **CLAIM**

I claim the ornamental design for a barrier operator, as shown and described.

**DESCRIPTION**

FIG. 1 is a top perspective view of our new design comprising a barrier operator;  
 FIG. 2 is a top view of the barrier operator of FIG. 1;  
 FIG. 3 is a bottom view of the barrier operator of FIG. 1;  
 FIG. 4 is a left side view of the barrier operator of FIG. 1;  
 FIG. 5 is a right side view of the barrier operator of FIG. 1;  
 FIG. 6 is a rear view of the barrier operator of FIG. 1; and,  
 FIG. 7 is a front view of the barrier operator of FIG. 1.  
 The broken lines shown in the drawings are for illustrative purposes only and form no part of the claimed design.

**1 Claim, 6 Drawing Sheets**



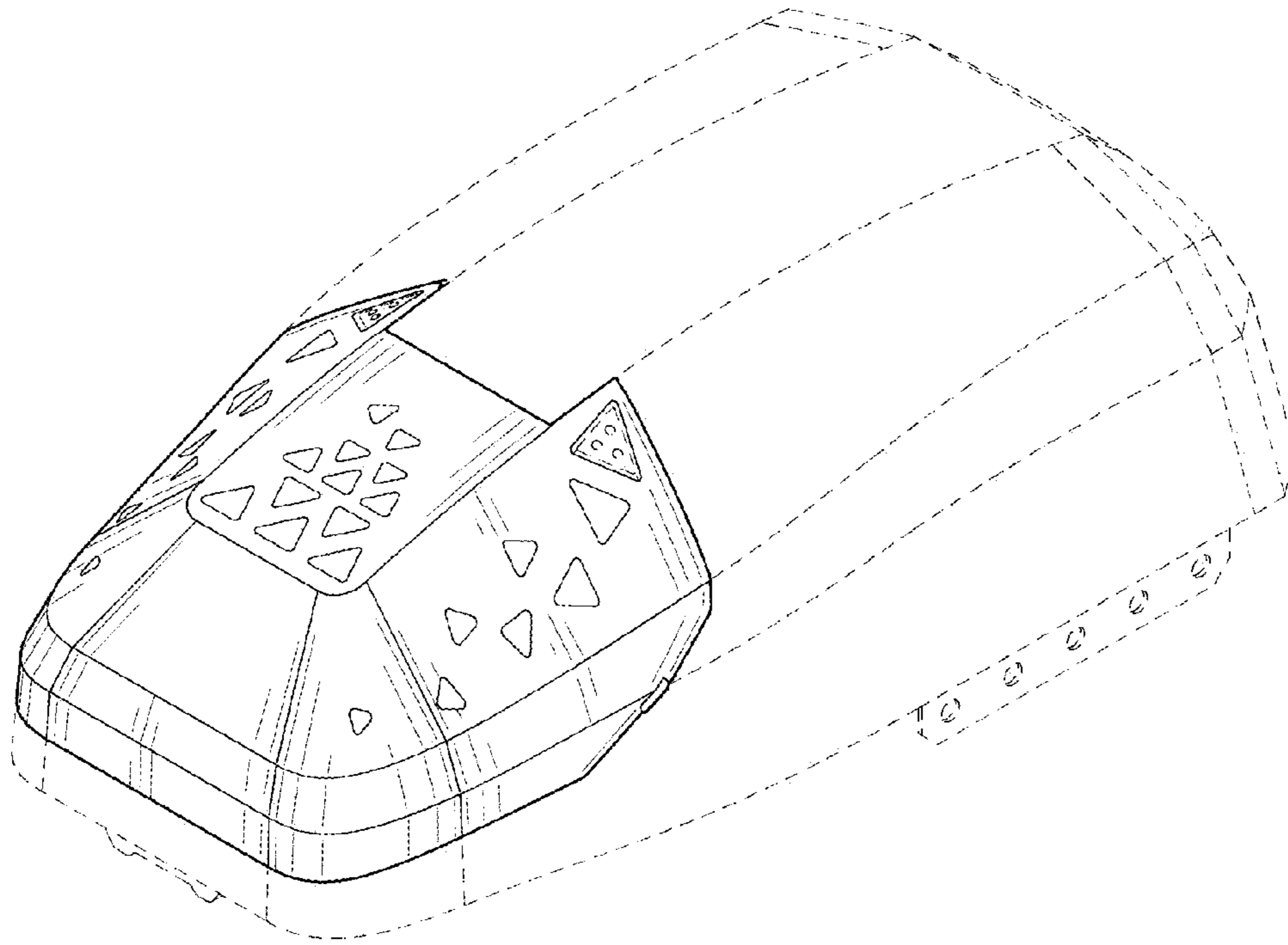


FIG. 1

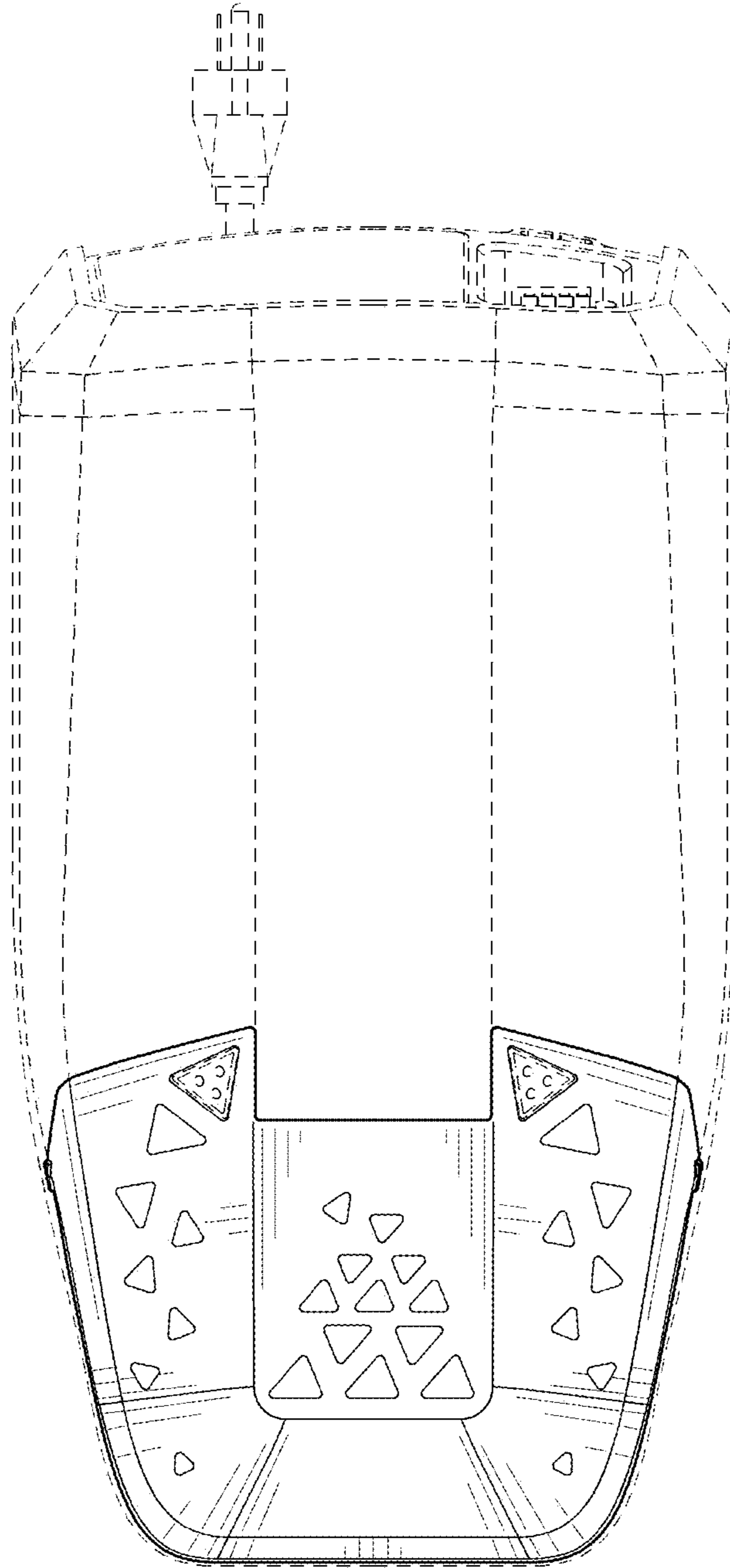


FIG. 2

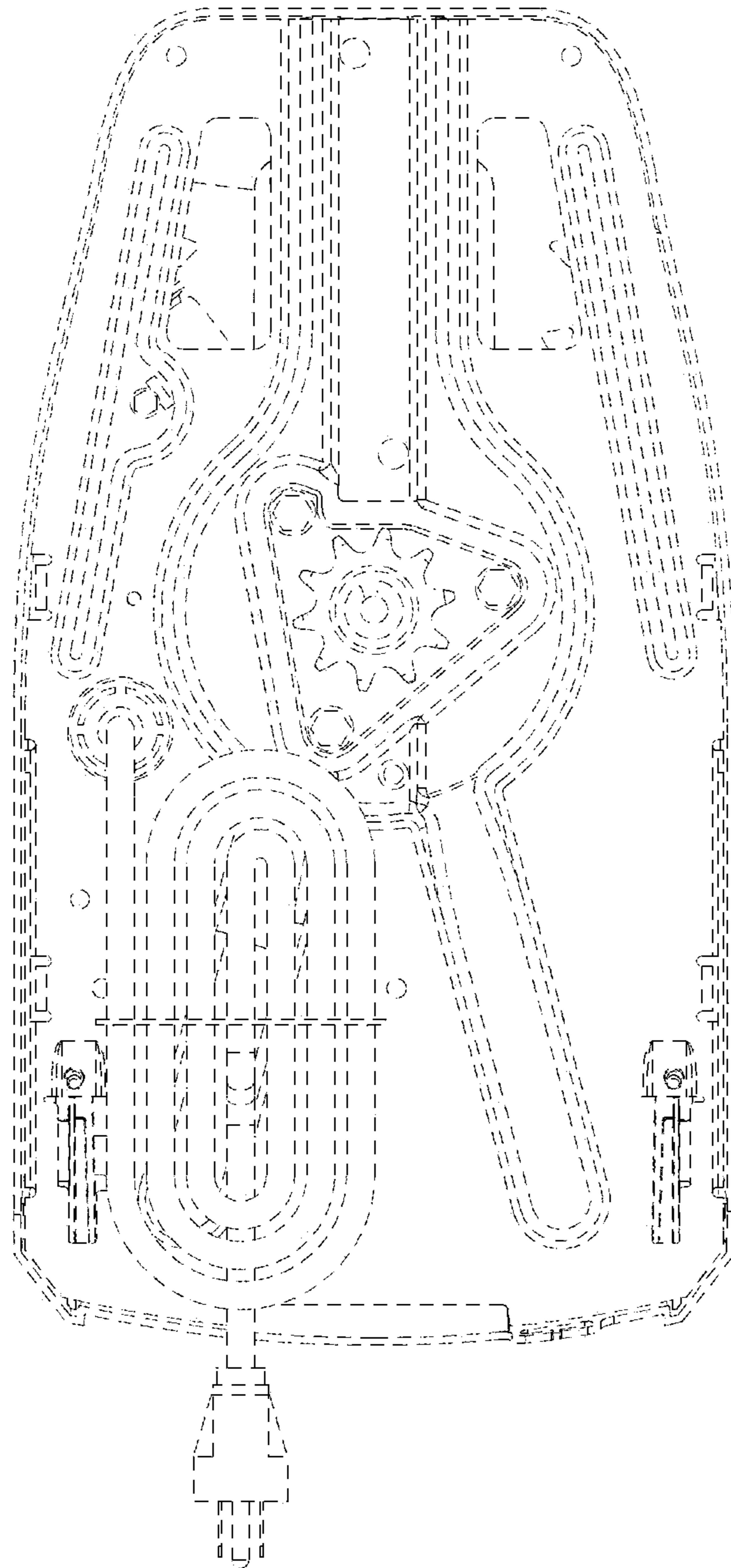


FIG. 3

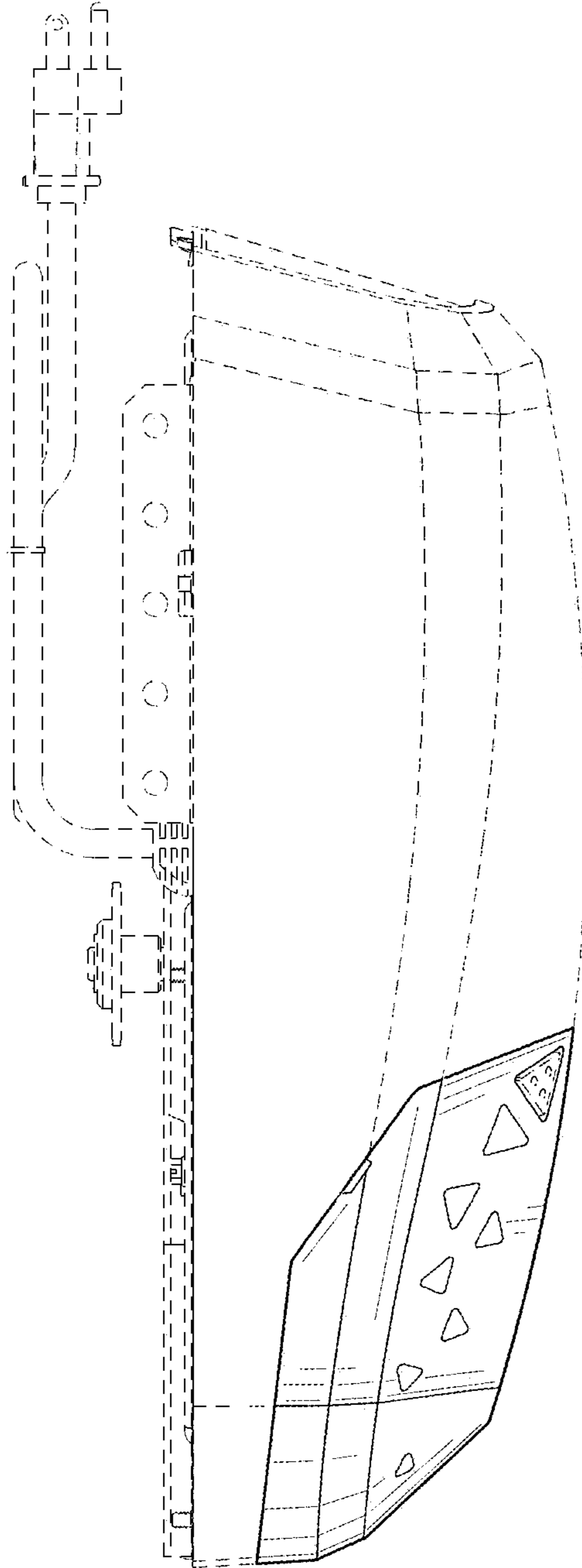


FIG. 4

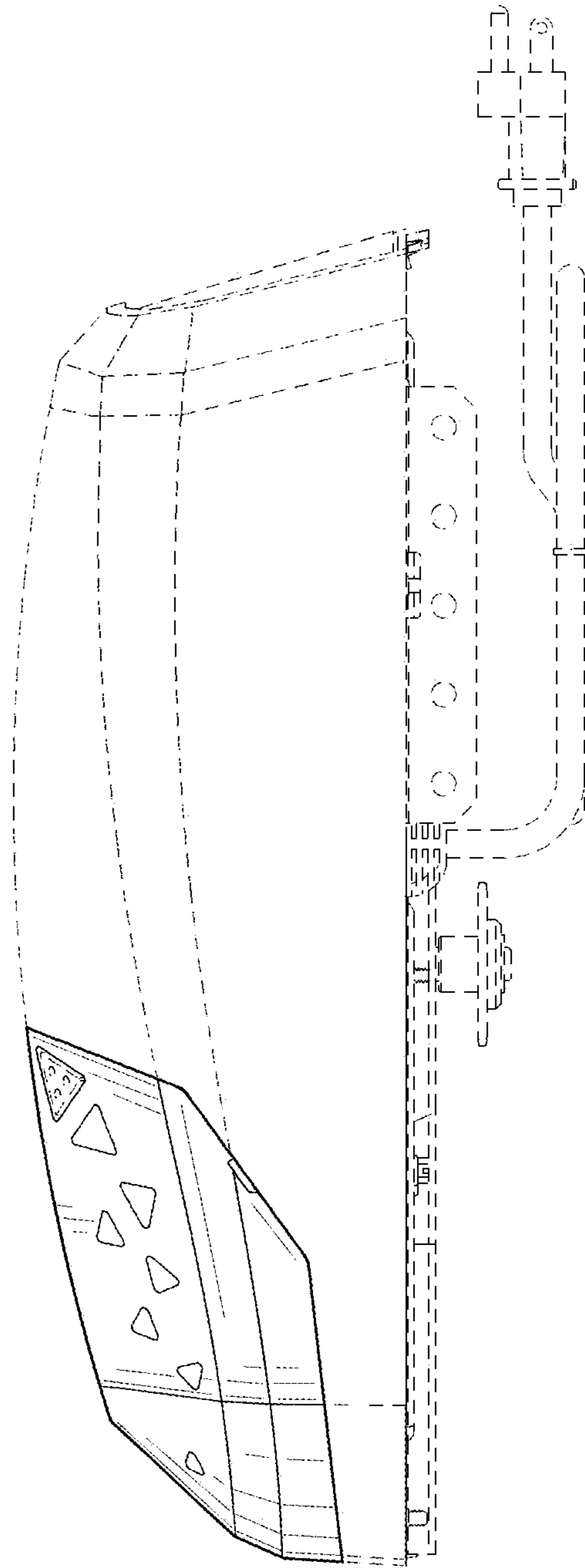


FIG. 5

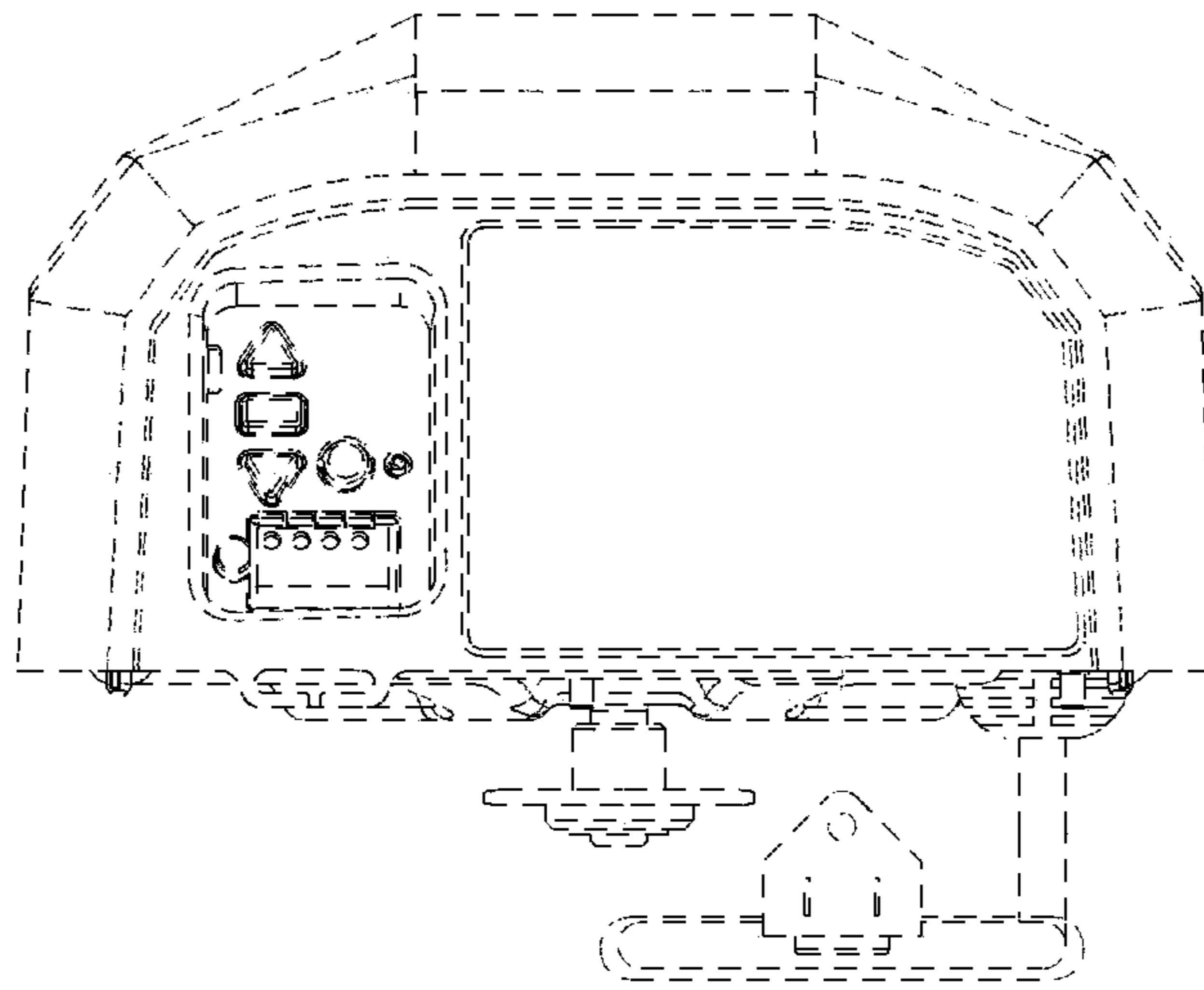


FIG. 6

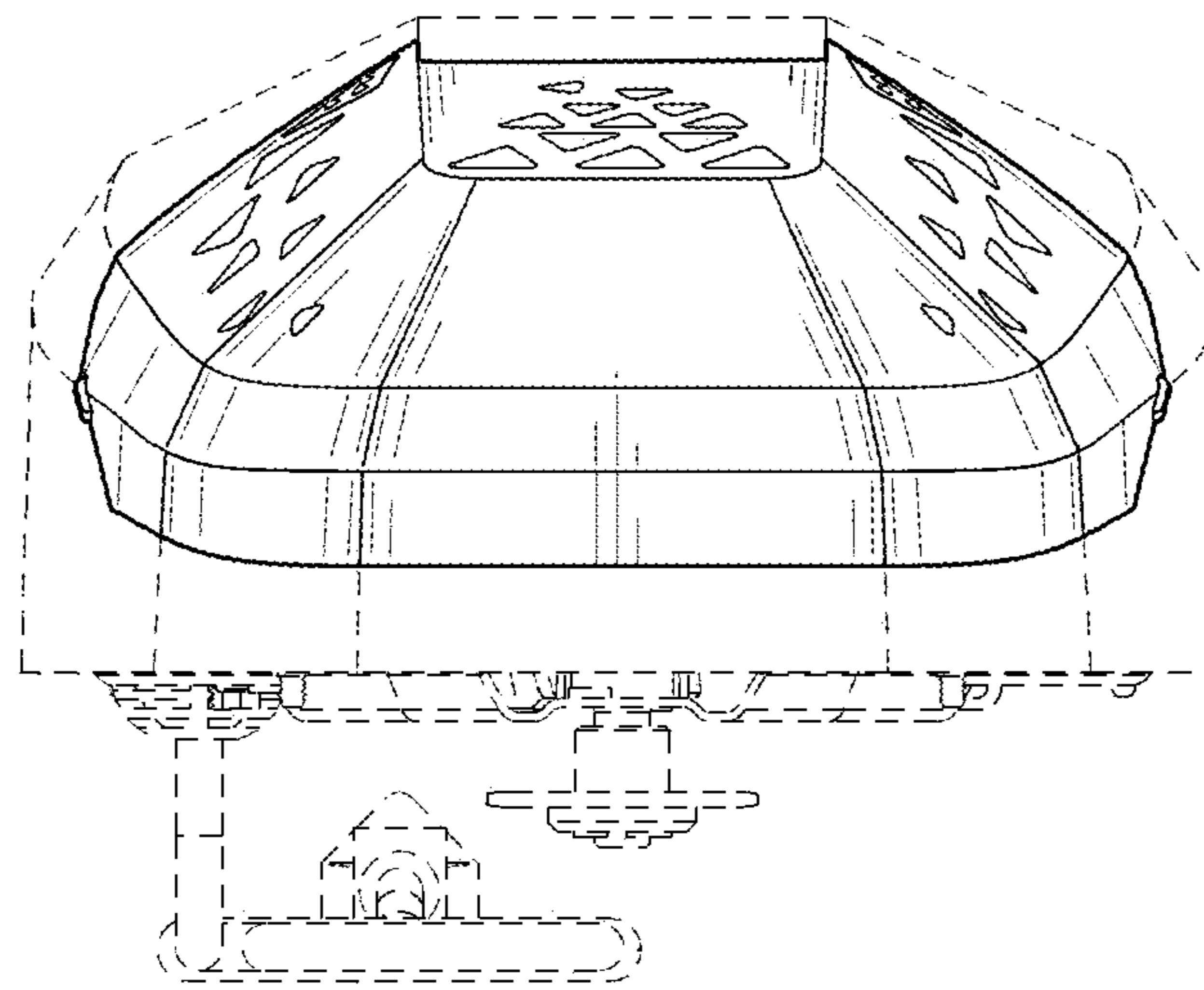


FIG. 7