



US00D741817S

(12) **United States Design Patent**  
**Paredes et al.**

(10) **Patent No.:** **US D741,817 S**  
(45) **Date of Patent:** **\*\* Oct. 27, 2015**

(54) **BARRIER OPERATOR**

(71) Applicant: **The Chamberlain Group, Inc.**,  
Elmhurst, IL (US)  
(72) Inventors: **Apollo Paul Paredes**, Villa Park, IL  
(US); **Eric Peterson**, North Aurora, IL  
(US)  
(73) Assignee: **The Chamberlain Group, Inc.**,  
Elmhurst, IL (US)

(\*\*) Term: **14 Years**

(21) Appl. No.: **29/488,312**

(22) Filed: **Apr. 17, 2014**

(51) **LOC (10) Cl.** ..... **14-03**

(52) **U.S. Cl.**  
USPC ..... **D13/168**

(58) **Field of Classification Search**  
USPC ..... D13/168; D10/104.1, 106.1; D14/218,  
D14/402-410, 454  
CPC ..... H03J 1/0025; H03J 9/00; H03J 9/02;  
H03J 9/04; H03J 9/06; H01H 9/0235; H04B  
1/202; G05B 11/01; G08C 17/00; G08C  
17/02; G08C 19/28; G08C 23/04; G08C  
2201/20; G08C 2201/30; G08C 2201/33;  
G08C 2201/40; G08C 2201/91; G08C  
2201/92; E05Y 2900/106; G07C 9/00182;  
G07C 9/00309

See application file for complete search history.

(56) **References Cited**

**U.S. PATENT DOCUMENTS**

D335,875 S \* 5/1993 Chen ..... D14/407  
D377,459 S \* 1/1997 Dziarsk ..... D10/106.1

D386,163 S \* 11/1997 Cheng ..... D14/407  
D450,701 S \* 11/2001 Koeller ..... D14/403  
D495,665 S \* 9/2004 Stekelenburg ..... D13/168  
D497,880 S \* 11/2004 Apotheloz ..... D13/168  
D509,481 S \* 9/2005 Murtaugh et al. .... D13/168  
D542,235 S \* 5/2007 Rashid ..... D13/168  
D589,906 S \* 4/2009 Tupinier ..... D13/168  
D667,381 S \* 9/2012 Rolli et al. .... D13/168  
8,976,006 B2 \* 3/2015 Krupke et al. .... 340/5.71  
2007/0013477 A1 \* 1/2007 Fitzgibbon et al. .... 340/5.52  
2007/0046231 A1 \* 3/2007 Mullet et al. .... 318/280  
2007/0188120 A1 \* 8/2007 Mullet et al. .... 318/280  
2007/0294961 A1 \* 12/2007 Reed et al. .... 52/111  
2010/0242369 A1 \* 9/2010 Laird ..... 49/358  
2013/0027181 A1 \* 1/2013 King ..... 340/5.54  
2014/0320263 A1 \* 10/2014 Fan et al. .... 340/5.71  
2014/0368322 A1 \* 12/2014 Mullet et al. .... 340/12.5

\* cited by examiner

*Primary Examiner* — Selina Sikder

(74) *Attorney, Agent, or Firm* — Fitch Even Tabin &  
Flannery LLP

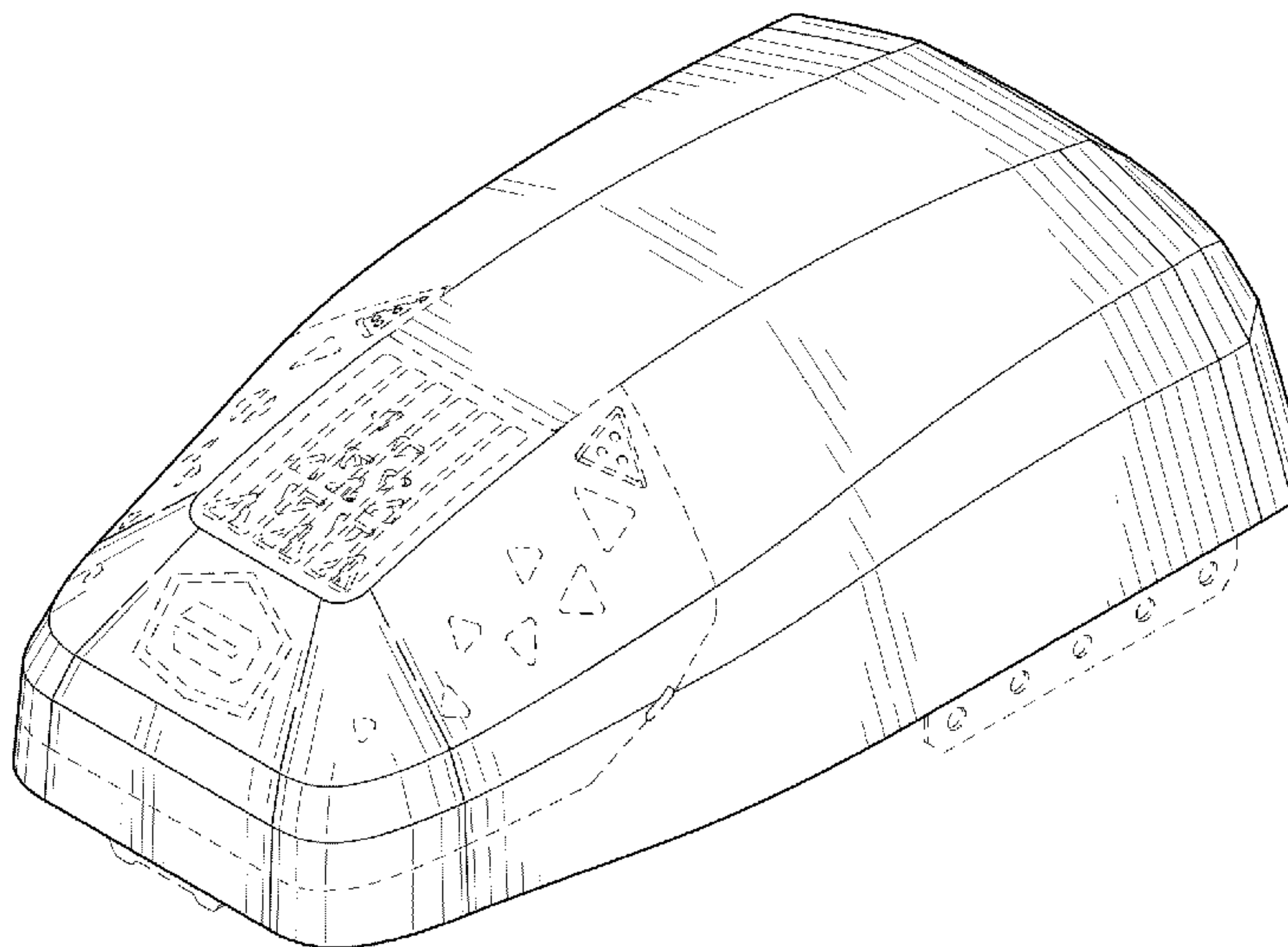
(57) **CLAIM**

I claim the ornamental design for a barrier operator, as shown  
and described.

**DESCRIPTION**

FIG. 1 is a bottom perspective view of our new design comprising a barrier operator;  
FIG. 2 is a top view of the barrier operator of FIG. 1;  
FIG. 3 is a bottom view of the barrier operator of FIG. 1;  
FIG. 4 is a left side view of the barrier operator of FIG. 1;  
FIG. 5 is a right side view of the barrier operator of FIG. 1;  
FIG. 6 is a rear view of the barrier operator of FIG. 1; and,  
FIG. 7 is a front view of the barrier operator of FIG. 1.  
The broken lines shown in the drawings are for illustrative purposes only and form no part of the claimed design.

**1 Claim, 6 Drawing Sheets**



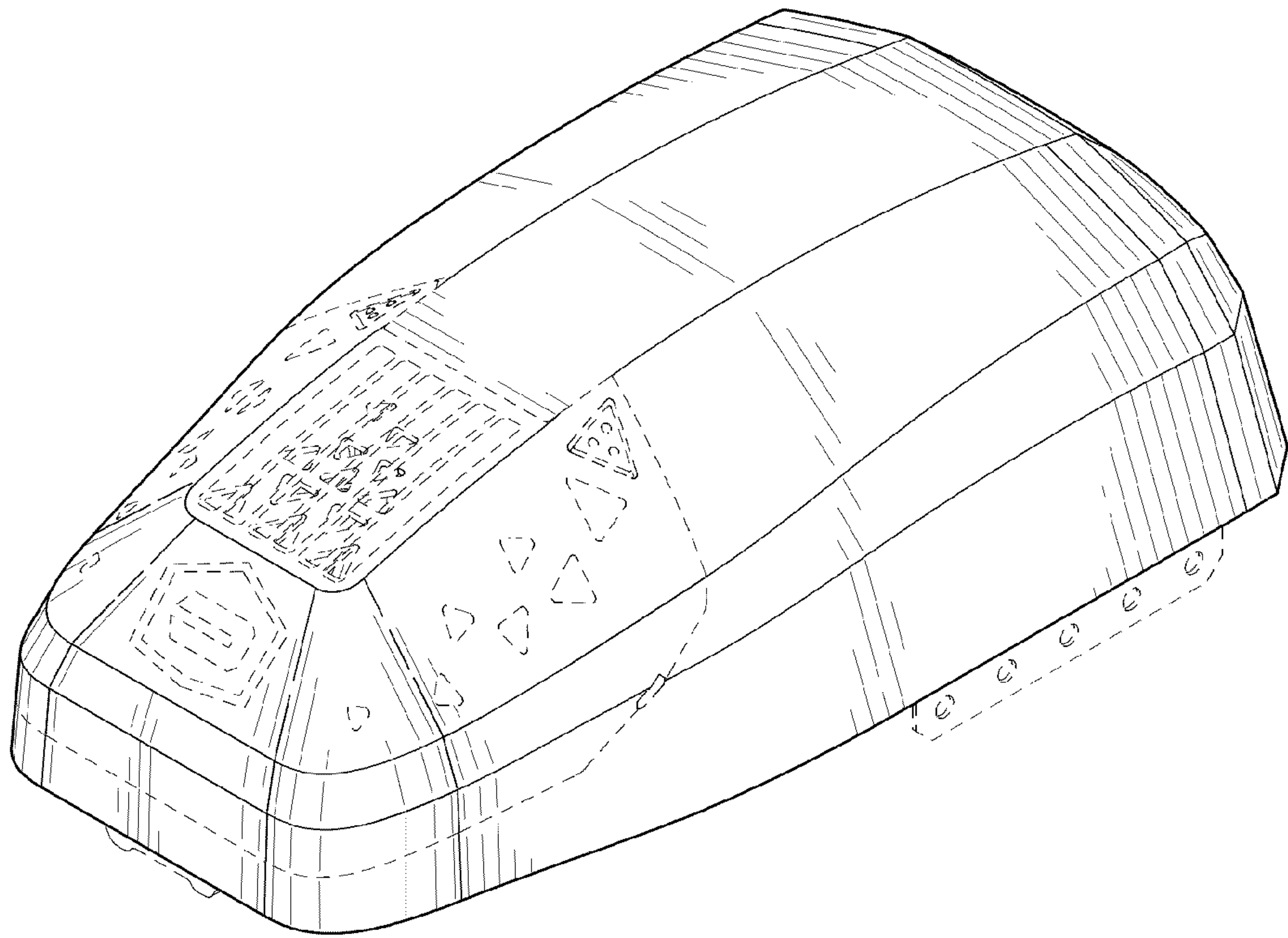


FIG. 1

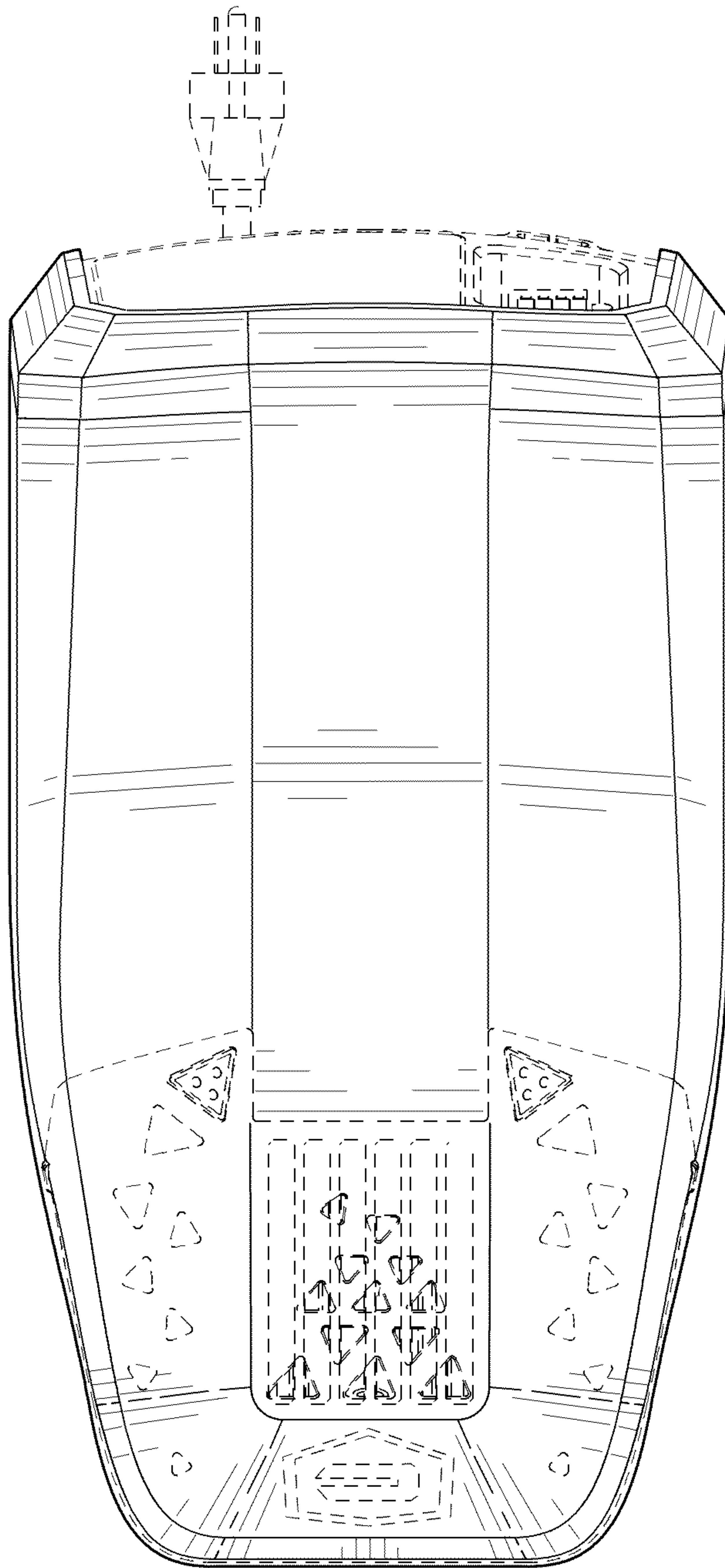


FIG. 2

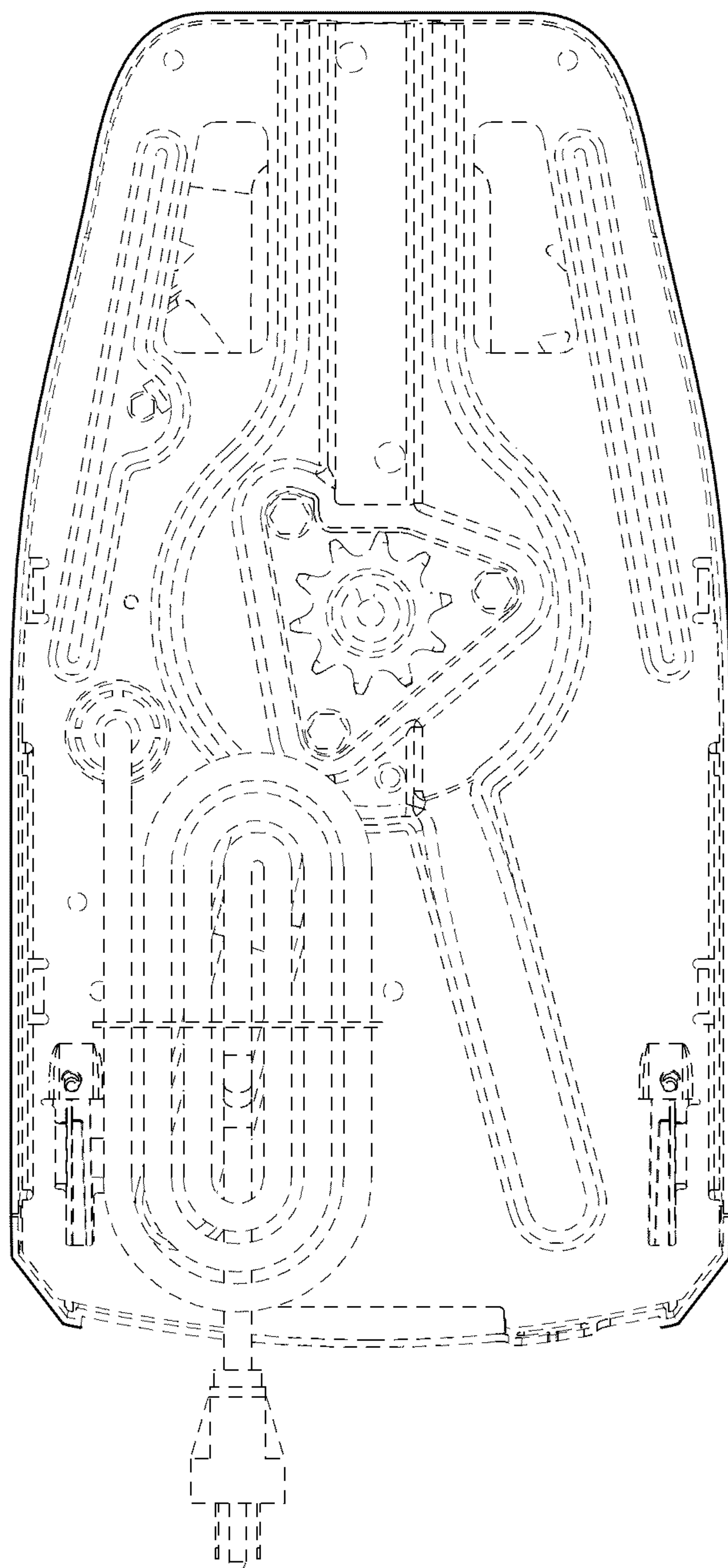


FIG. 3



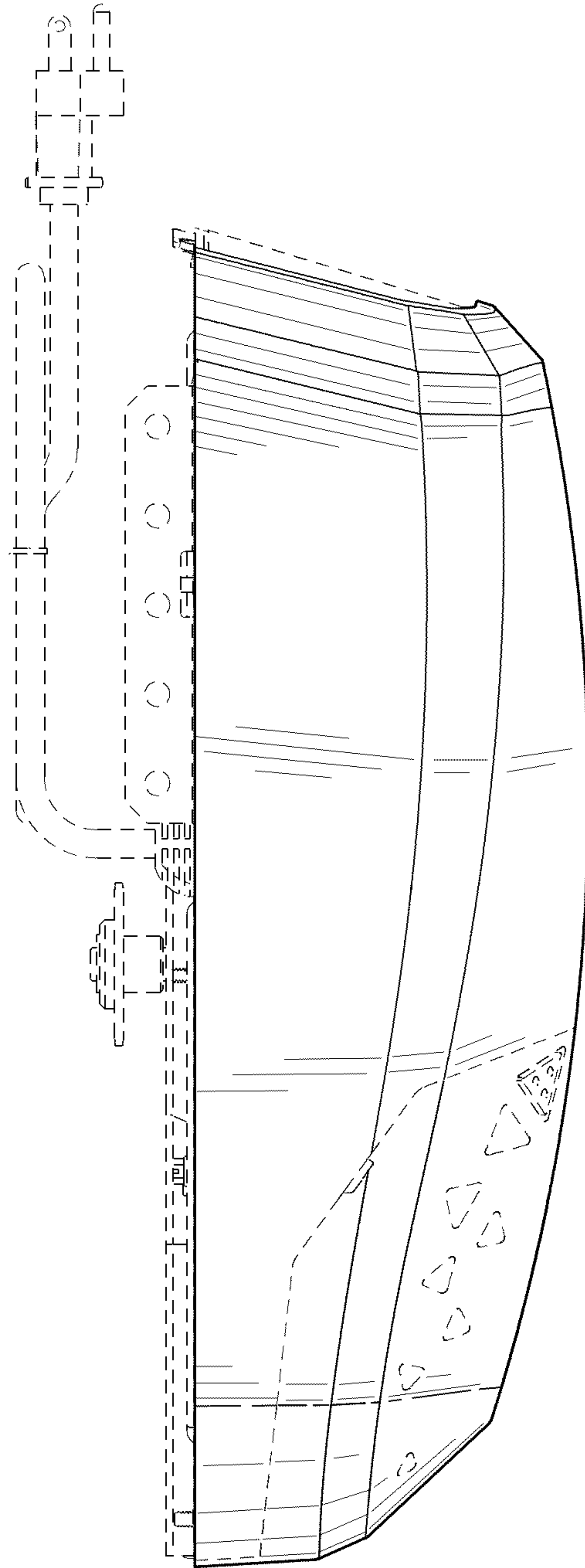


FIG. 4

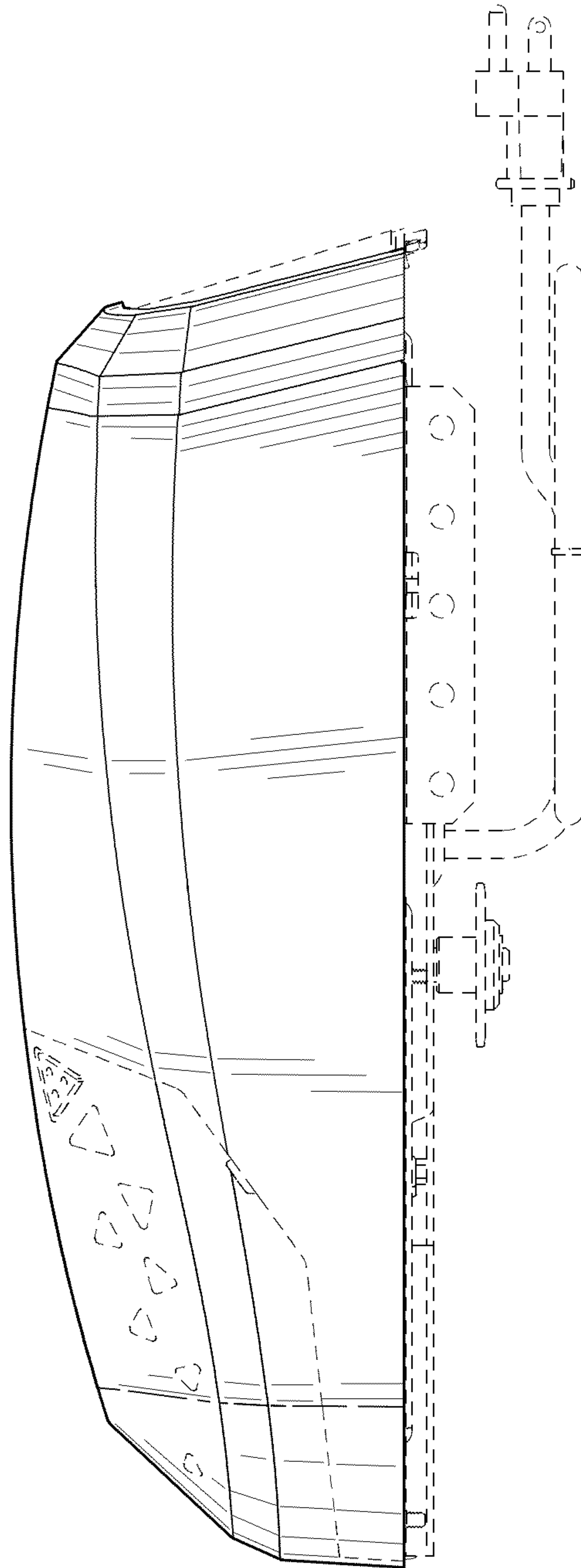


FIG. 5

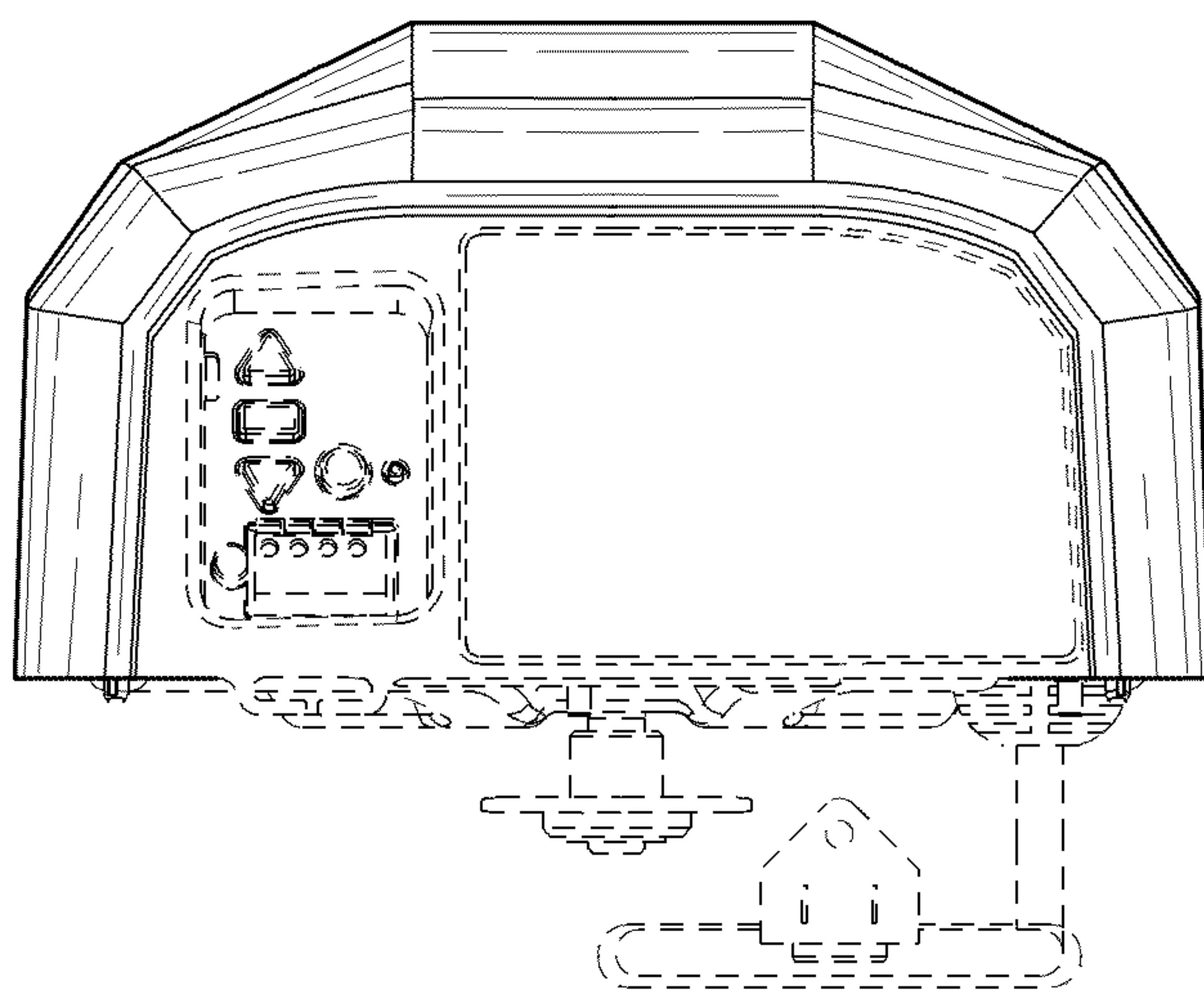


FIG. 6

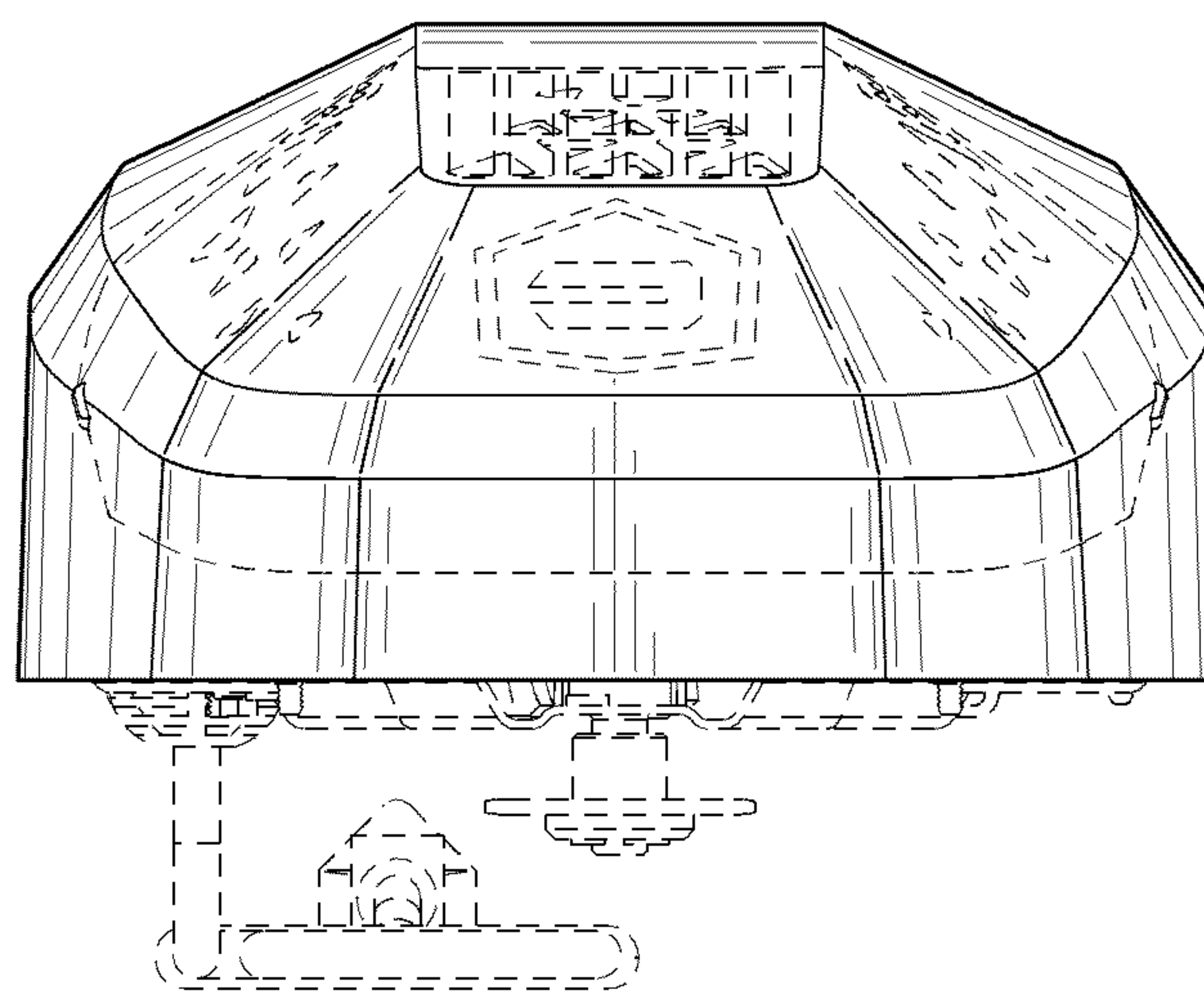


FIG. 7