



US00D741815S

(12) **United States Design Patent**
Cummings

(10) **Patent No.:** **US D741,815 S**
(45) **Date of Patent:** **** Oct. 27, 2015**

(54) **SUMP PUMP MONITOR**

(71) Applicant: **Beacon Technical Systems, LLC,**
Pullman, WA (US)
(72) Inventor: **Eugene M. Cummings,** Lake Forest, IL
(US)
(73) Assignee: **Beacon Technical Systems, LLC,**
Pullman, WA (US)

(**) Term: **14 Years**

(21) Appl. No.: **29/486,504**

(22) Filed: **Mar. 31, 2014**

(51) **LOC (10) Cl.** **13-03**

(52) **U.S. Cl.**
USPC **D13/163; D10/49**

(58) **Field of Classification Search**
USPC D13/162, 163, 184; D10/49; D15/7, 9.1
CPC F04B 17/03; F04B 47/02; F04B 47/06;
F04B 49/02; F04B 49/022; F04B 49/06;
F04B 49/065; F04B 49/20; F04D 13/06;
F04D 13/068; F04D 15/00; F04D 15/0066;
F04D 15/0072; F04D 15/0077; F04D 15/0209;
F04D 15/0218; F04D 15/068

See application file for complete search history.

(56) **References Cited**

U.S. PATENT DOCUMENTS

D388,055 S * 12/1997 Mariotta D13/163
D399,493 S * 10/1998 Nakajima et al. D13/163
D442,560 S * 5/2001 Price et al. D13/163
7,309,216 B1 * 12/2007 Spadola et al. 417/18
7,429,842 B2 * 9/2008 Schulman et al. 318/482

D618,186 S * 6/2010 Solow D13/184
7,931,447 B2 * 4/2011 Levin et al. 417/38
D663,746 S * 7/2012 Kwon D15/7
8,436,559 B2 * 5/2013 Kidd et al. 318/34
8,579,600 B2 * 11/2013 Vijayakumar 417/234
D710,901 S * 8/2014 Brokenshire et al. D15/7
D712,435 S * 9/2014 Kodera et al. D15/7
8,907,789 B2 * 12/2014 Kochan et al. 340/540
9,051,930 B2 * 6/2015 Stiles et al. 1/1
2004/0055363 A1 * 3/2004 Bristol 73/31.03
2006/0235573 A1 * 10/2006 Guion 700/282
2010/0119379 A1 * 5/2010 Becker et al. 417/48
2011/0311370 A1 * 12/2011 Sloss et al. 417/1
2013/0294931 A1 * 11/2013 Magnusson et al. 417/44.1
2014/0039836 A1 * 2/2014 Moricca et al. 702/184
2014/0250580 A1 * 9/2014 Magyar 4/494

* cited by examiner

Primary Examiner — Selina Sikder

(74) *Attorney, Agent, or Firm* — Law Offices of Eugene M. Cummings, P.C.

(57) **CLAIM**

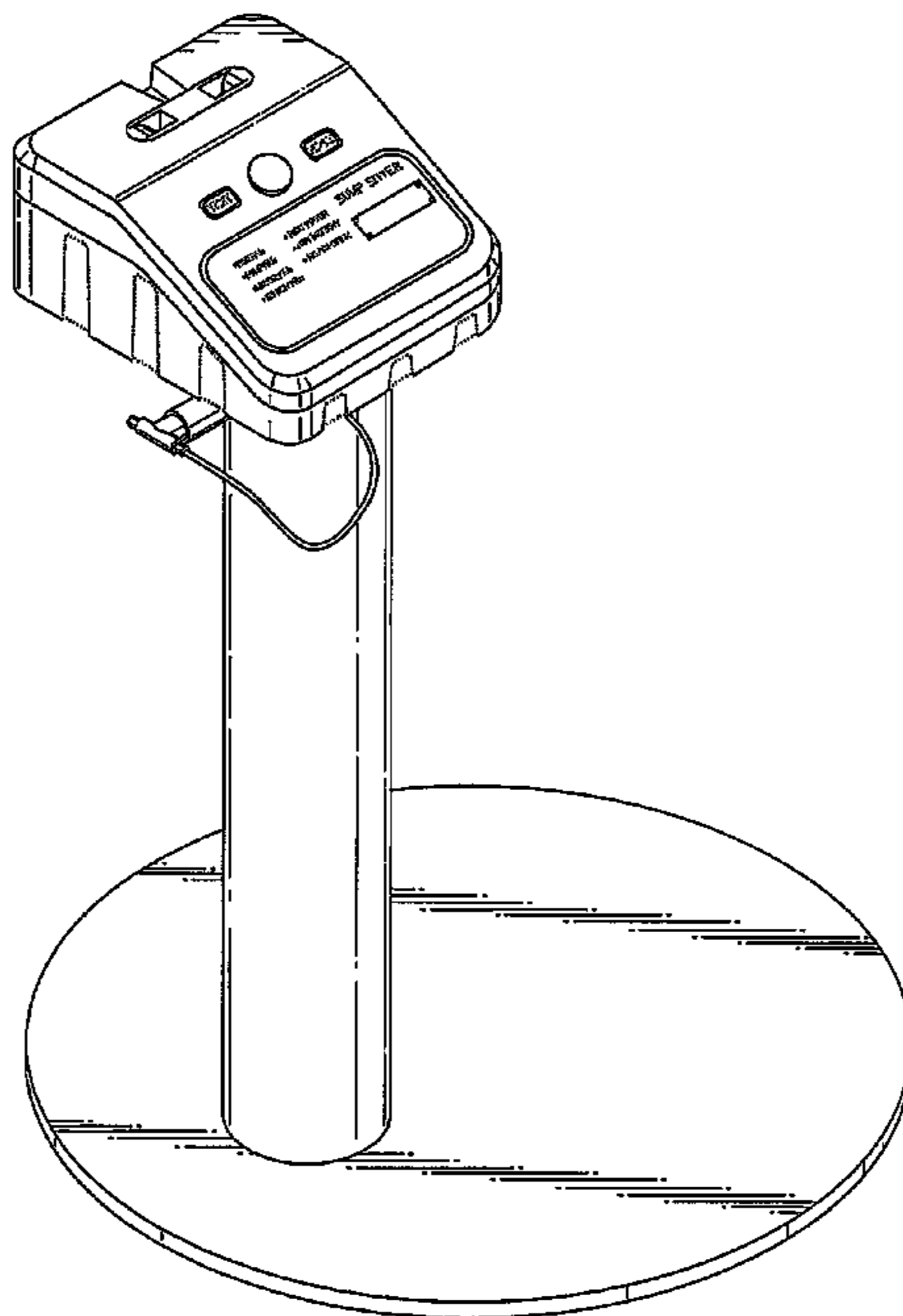
The ornamental design for the sump pump monitor, as shown and described.

DESCRIPTION

FIG. 1 is an isometric view of the sump pump monitor.
FIG. 2 is a front elevation view of FIG. 1.
FIG. 3 is a rear elevation view of FIG. 1.
FIG. 4 is a left side elevation view of FIG. 1.
FIG. 5 is a right side elevation view of FIG. 1.
FIG. 6 is a plan view of FIG. 1; and,
FIG. 7 is a bottom view of FIG. 1.

The broken lines shown in the drawing views is for illustrative purposes only and forms no part of the claimed design.

1 Claim, 4 Drawing Sheets



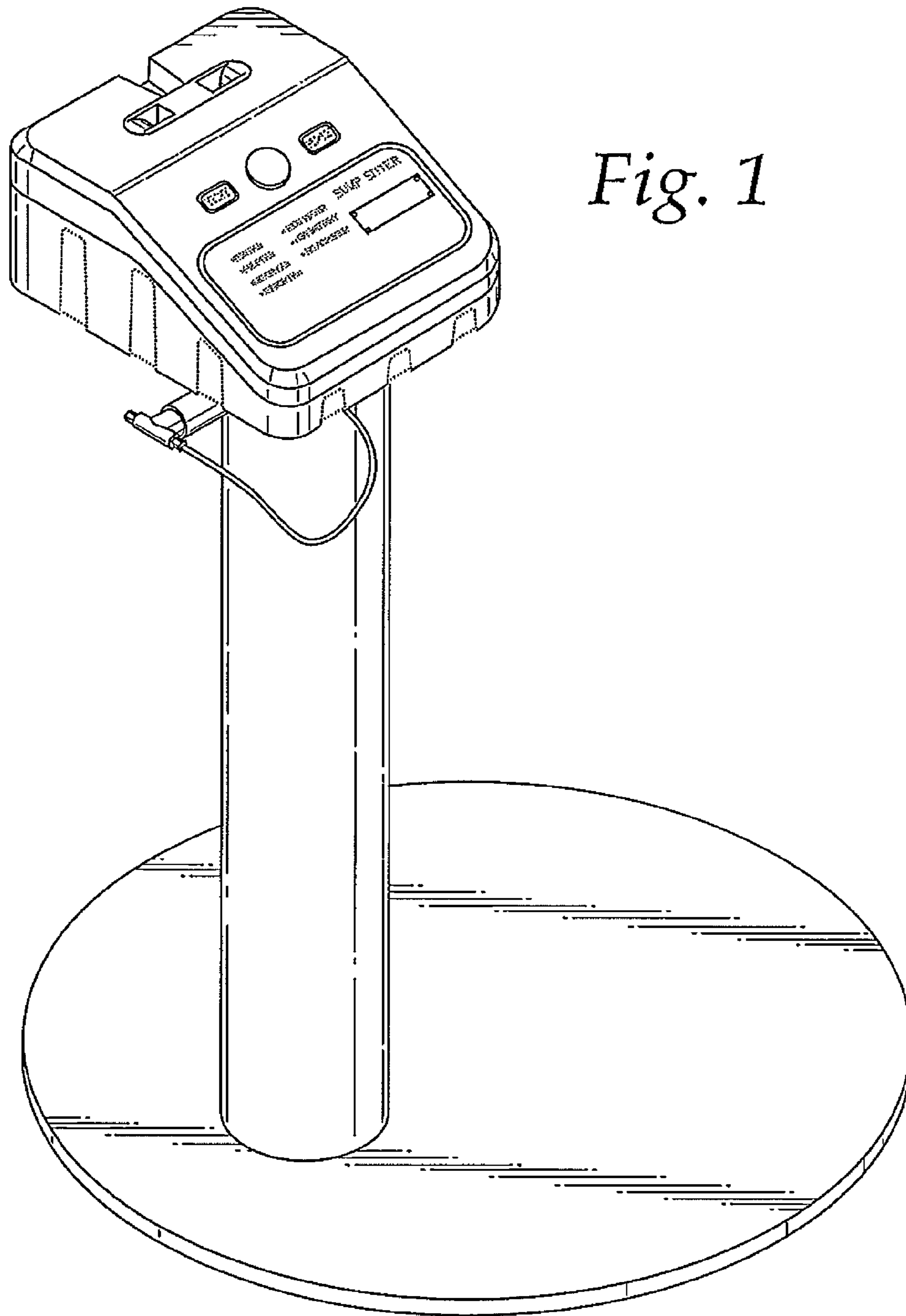
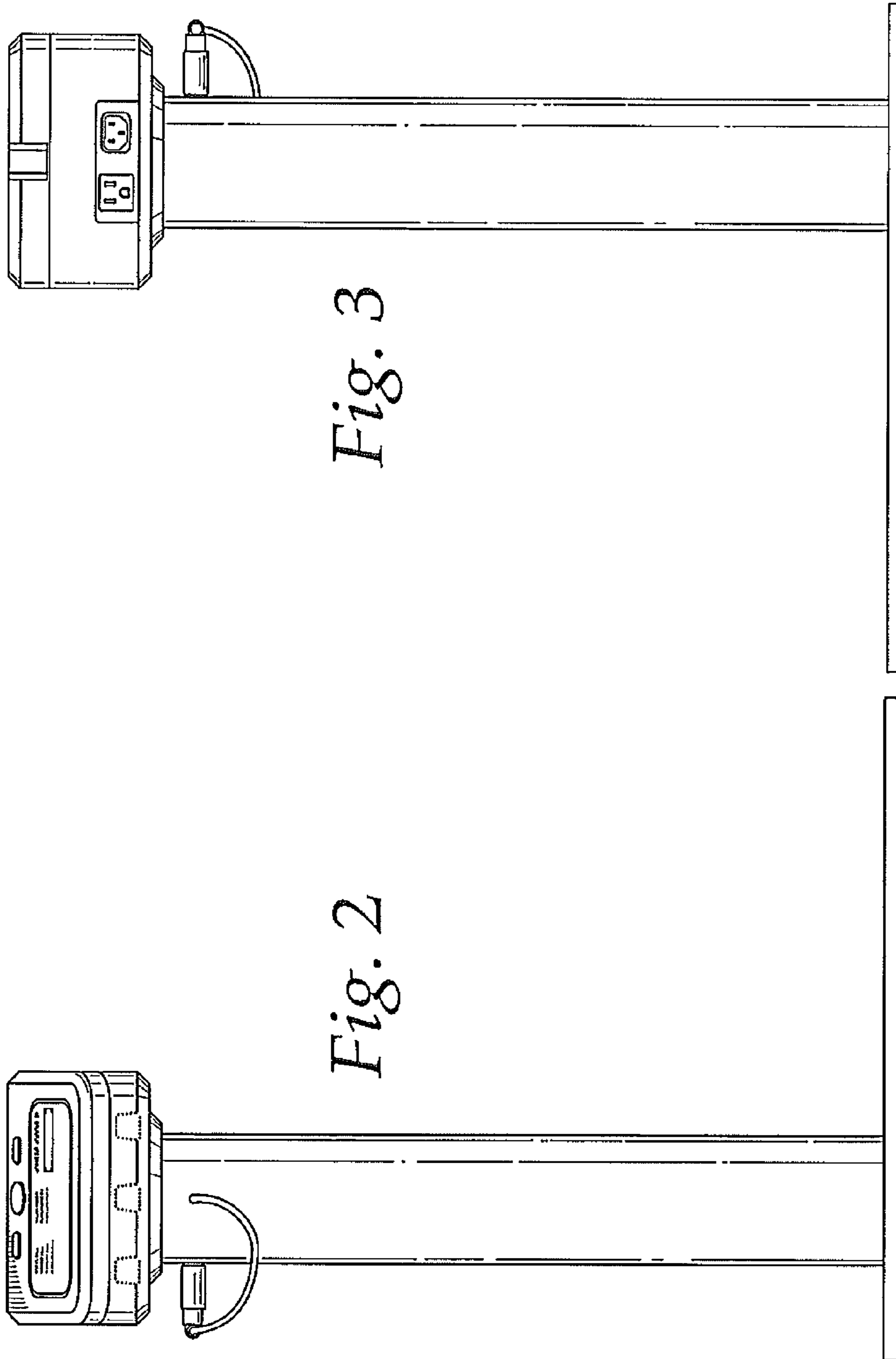


Fig. 1



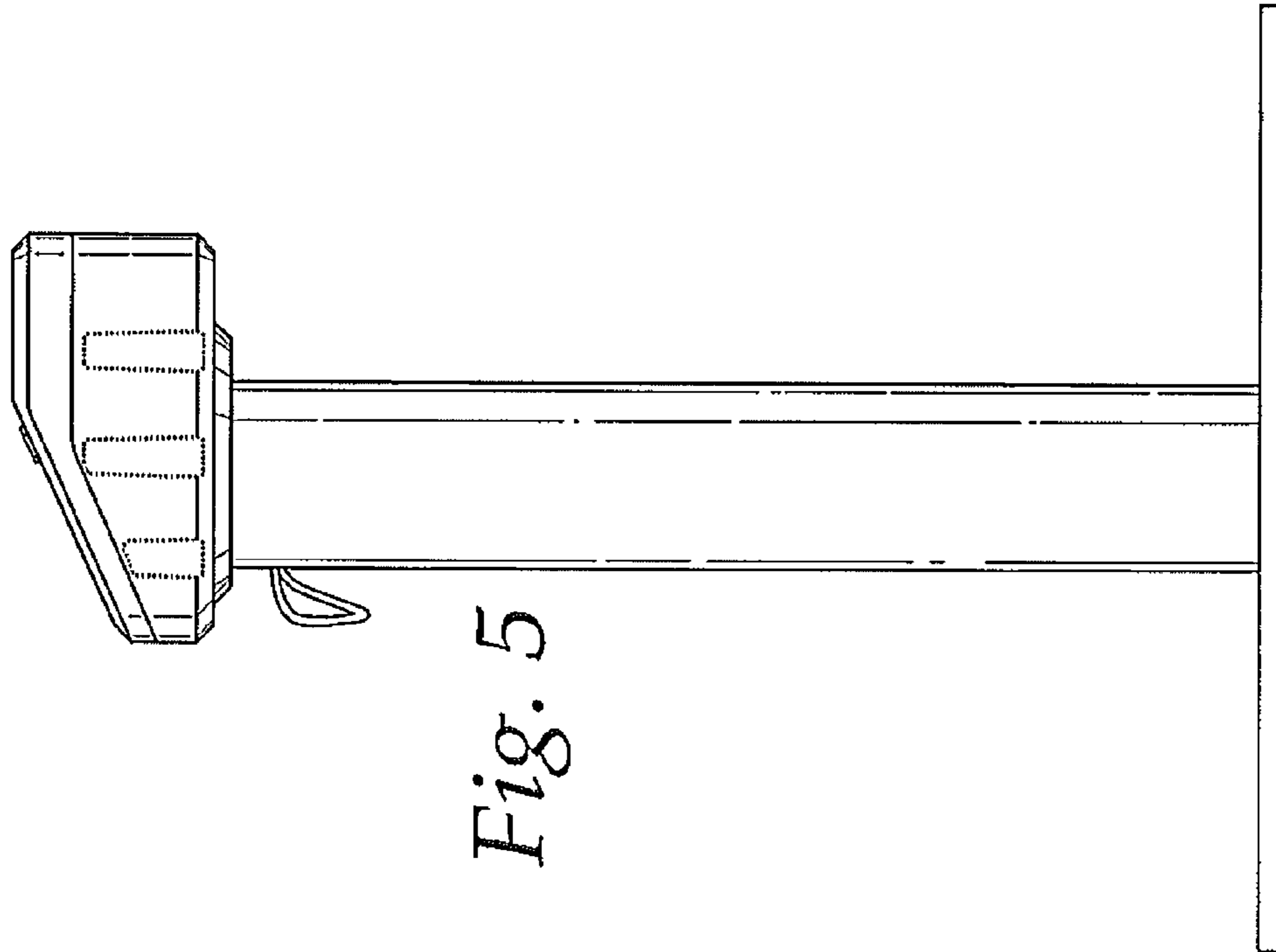


Fig. 5

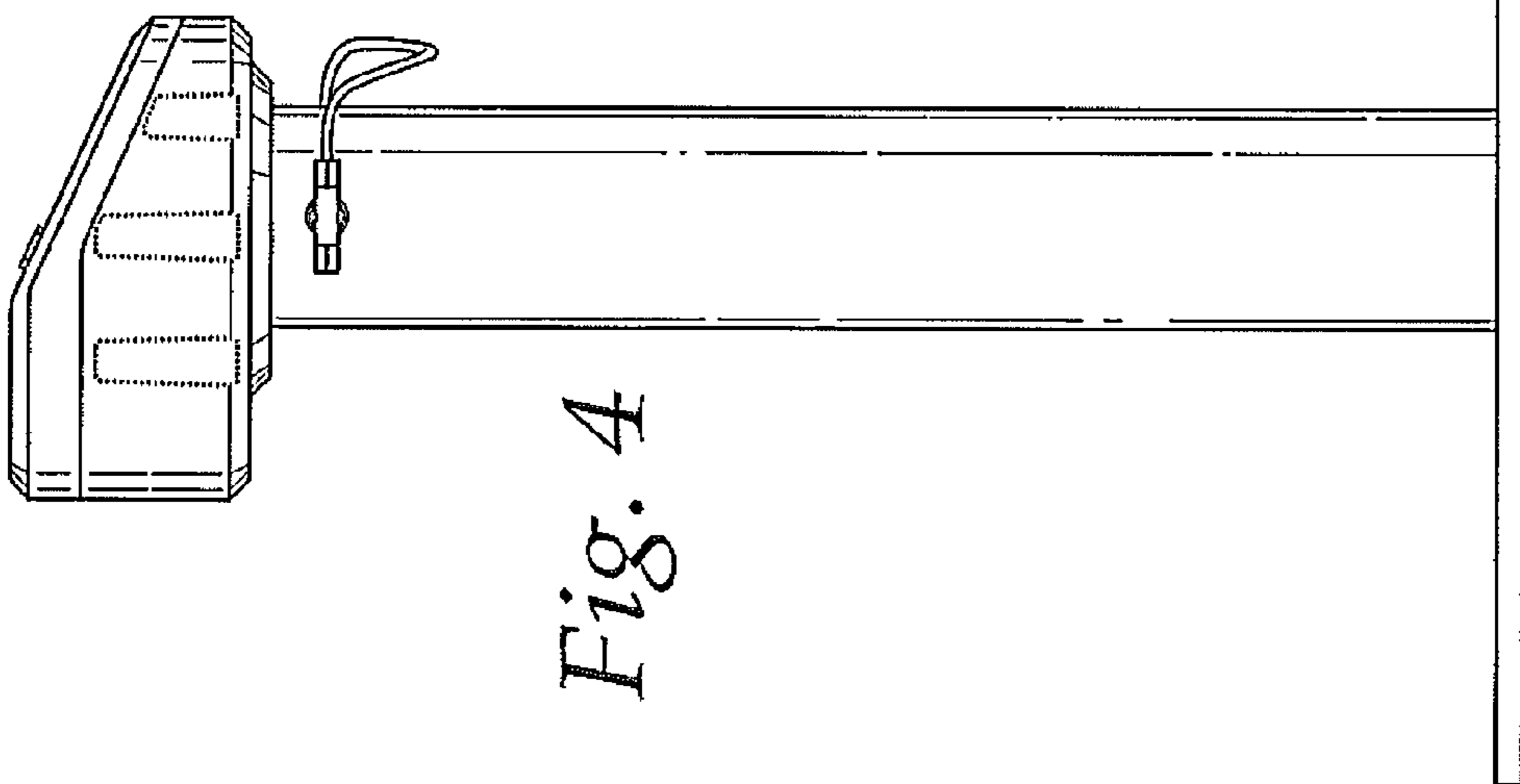


Fig. 4

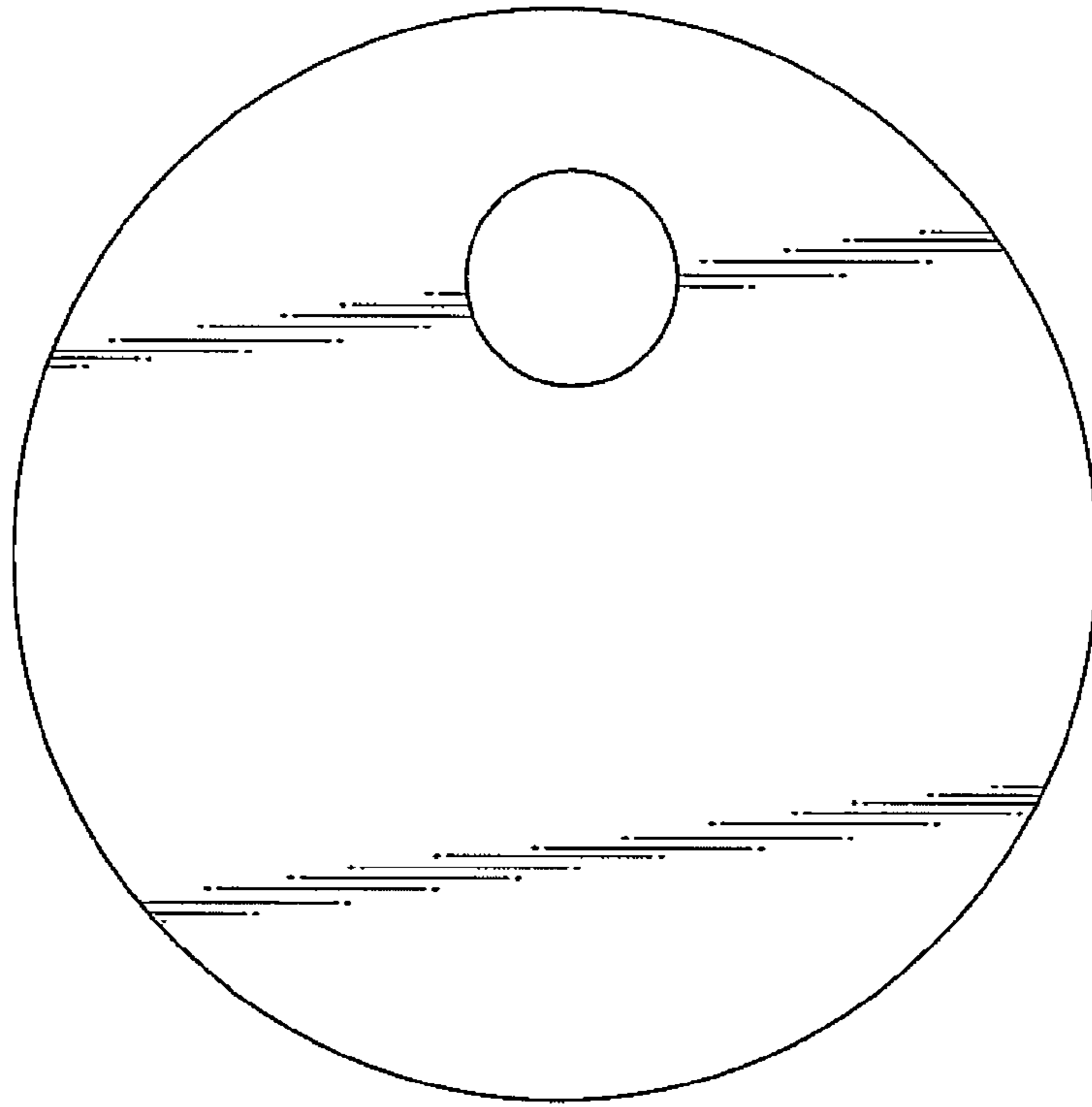


Fig. 6

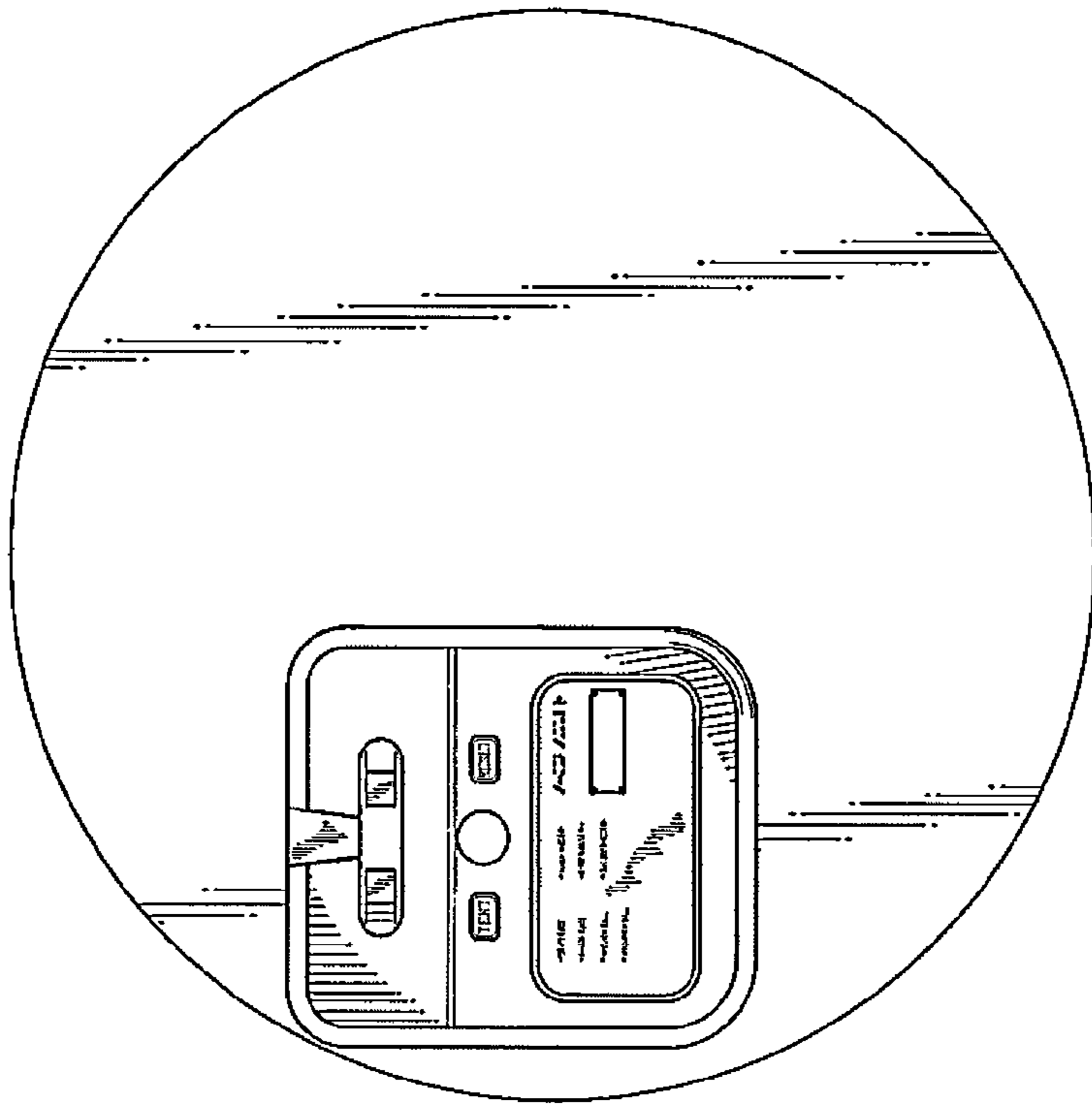


Fig. 7