



US00D741813S

(12) **United States Design Patent**
Leung

(10) **Patent No.:** **US D741,813 S**
(45) **Date of Patent:** **** Oct. 27, 2015**

- (54) **ELECTRICAL JUNCTION BOX LID**
- (71) Applicant: **IPEX TECHNOLOGIES INC.**,
Mississauga (CA)
- (72) Inventor: **Kwan Yu Leung**, Mississauga (CA)
- (73) Assignee: **IPEX TECHNOLOGIES INC.**,
Mississauga (CA)
- (**) Term: **14 Years**
- (21) Appl. No.: **29/474,296**
- (22) Filed: **Aug. 6, 2014**
- (30) **Foreign Application Priority Data**
Jul. 25, 2014 (CA) 157861
- (51) **LOC (10) Cl.** **13-03**
- (52) **U.S. Cl.**
USPC **D13/152**
- (58) **Field of Classification Search**
USPC D13/152, 184, 147, 156, 177, 119;
174/58, 53; D8/350; 220/328, 325;
403/408.1
CPC F16J 13/06; F16B 5/02
See application file for complete search history.

(56) **References Cited**

U.S. PATENT DOCUMENTS

1,208,618	A	12/1916	Morrison	
2,263,842	A	11/1941	Gross	
2,263,843	A	11/1941	Gross	
2,642,016	A	6/1953	Thalmann	
3,296,763	A	1/1967	Curl	
3,480,311	A *	11/1969	Lanham, Jr.	403/408.1
3,951,300	A	4/1976	Kalasek	
4,129,395	A	12/1978	Theurer	
4,358,130	A	11/1982	Adams	
4,941,588	A	7/1990	Flider	
5,050,764	A	9/1991	Voss	
5,123,795	A	6/1992	Engel	

D331,225	S *	11/1992	Mooneyhan	D13/152
5,361,925	A *	11/1994	Wecke et al.	220/325
D372,703	S *	8/1996	Hannon et al.	D13/152
D374,429	S *	10/1996	Blais et al.	D13/156
5,865,336	A	2/1999	Krzywdziak	
D417,437	S *	12/1999	Kim, II	D13/177
D422,266	S *	4/2000	Roesch	D13/152
D422,565	S *	4/2000	Kim, II	D13/152
D423,461	S *	4/2000	Layton, Jr.	D13/152

(Continued)

OTHER PUBLICATIONS

IPEX Technologies Inc., Box and Gasket Assembly, Jul. 19, 2011, 1 page containing 3 photo views, Mississauga ON Canada.

Primary Examiner — Holly Baynham
Assistant Examiner — Rhea Shields

(57) **CLAIM**

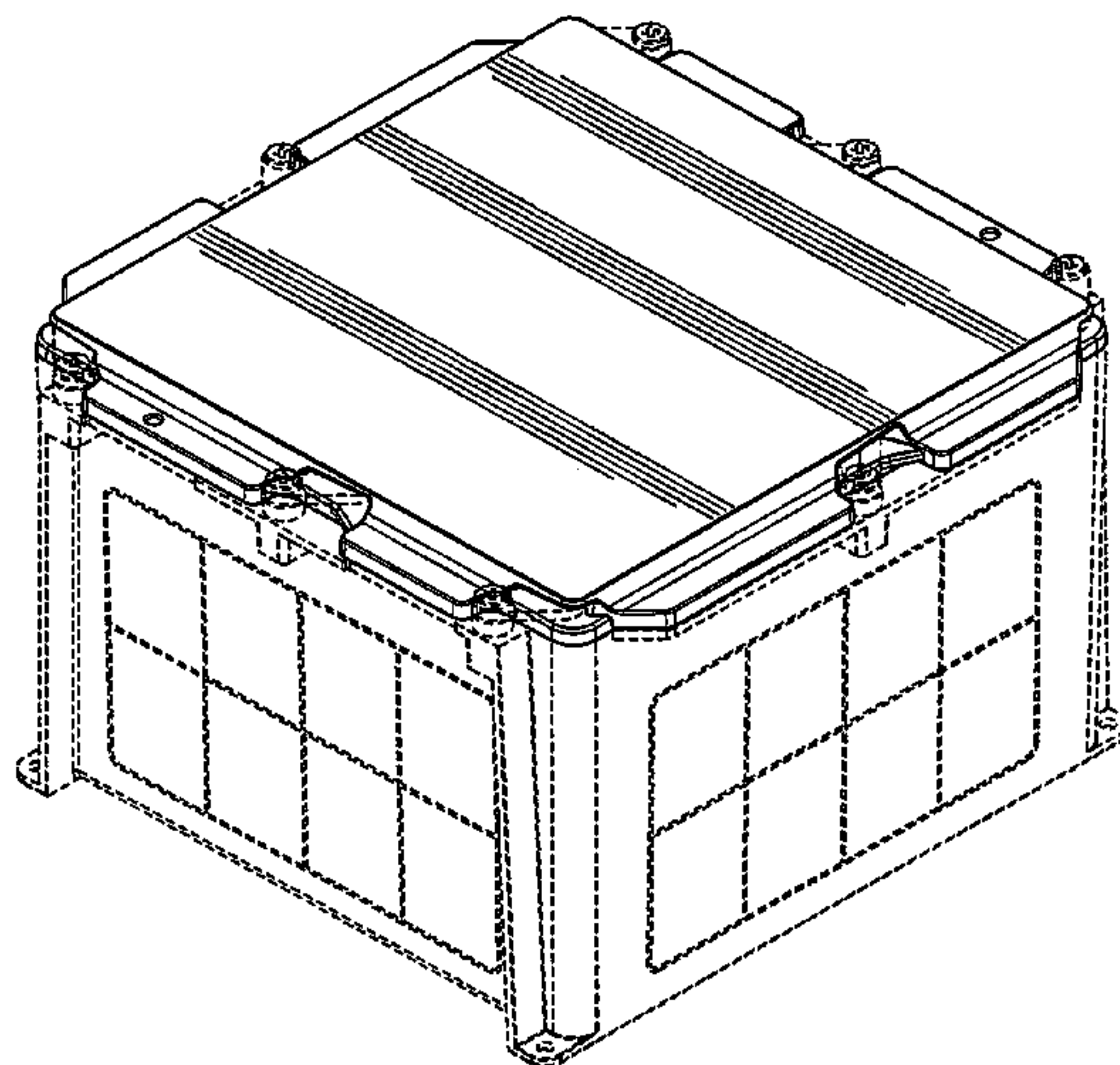
The ornamental design for an electrical junction box lid, as shown and described.

DESCRIPTION

FIG. 1 is a perspective view taken from the top and one side of the design;
 FIG. 2 is a front elevational view of the design shown in FIG. 1;
 FIG. 3 is a right side elevational view of the design shown in FIG. 1;
 FIG. 4 is a rear elevational view of the design shown in FIG. 1;
 FIG. 5 is a left side elevational view of the design shown in FIG. 1;
 FIG. 6 is a top elevational view of the design shown in FIG. 1;
 FIG. 7 is a bottom elevational view of the design shown in FIG. 1; and,
 FIG. 8 is a bottom perspective view of the design shown in FIG. 1.

In the drawings, the broken lines are for the purpose of illustrating environment only and form no part of the claimed design.

1 Claim, 8 Drawing Sheets



(56)

References Cited

U.S. PATENT DOCUMENTS

D424,523	S *	5/2000	Hughes	D13/147	D636,343	S *	4/2011	Leal et al.	D13/152
D462,329	S *	9/2002	Hughes et al.	D13/152	D638,367	S *	5/2011	Isaacks et al.	D13/152
6,530,629	B2	3/2003	Shyr			7,997,841	B2	8/2011	Show et al.		
D499,070	S *	11/2004	Lavington	D13/119	D676,814	S *	2/2013	Paul	D13/152
7,032,708	B2	4/2006	Popken			D686,995	S *	7/2013	Nikayin	D13/152
D556,143	S	11/2007	Ni			D686,997	S *	7/2013	Inaba et al.	D13/152
D560,170	S	1/2008	Ni			D688,211	S *	8/2013	Xue et al.	D13/152
D563,895	S *	3/2008	Stuckmann et al.	D13/152	D688,241	S	8/2013	Miller et al.		
D588,067	S *	3/2009	Seropian	D13/152	8,575,483	B2 *	11/2013	Gauthier	174/58
D593,970	S *	6/2009	Sonntag	D13/184	D698,318	S *	1/2014	Villen Hernandez		
7,607,553	B2 *	10/2009	Weber	220/328				et al.	D13/152
D606,033	S *	12/2009	Sonntag	D13/184	D702,198	S *	4/2014	Gretz	D13/184
D626,509	S *	11/2010	Severing	D13/147	8,748,744	B2 *	6/2014	O'Connor et al.	174/53
D632,256	S *	2/2011	Higuchi	D13/152	D709,835	S *	7/2014	Jones	D13/152
D635,098	S *	3/2011	Ismert	D13/152	D711,834	S *	8/2014	Jones	D13/152
						D713,355	S *	9/2014	Jones et al.	D13/152
						D714,617	S *	10/2014	Miller et al.	D8/350
						2011/0262243	A1	10/2011	Glickman		

* cited by examiner

Fig. 1

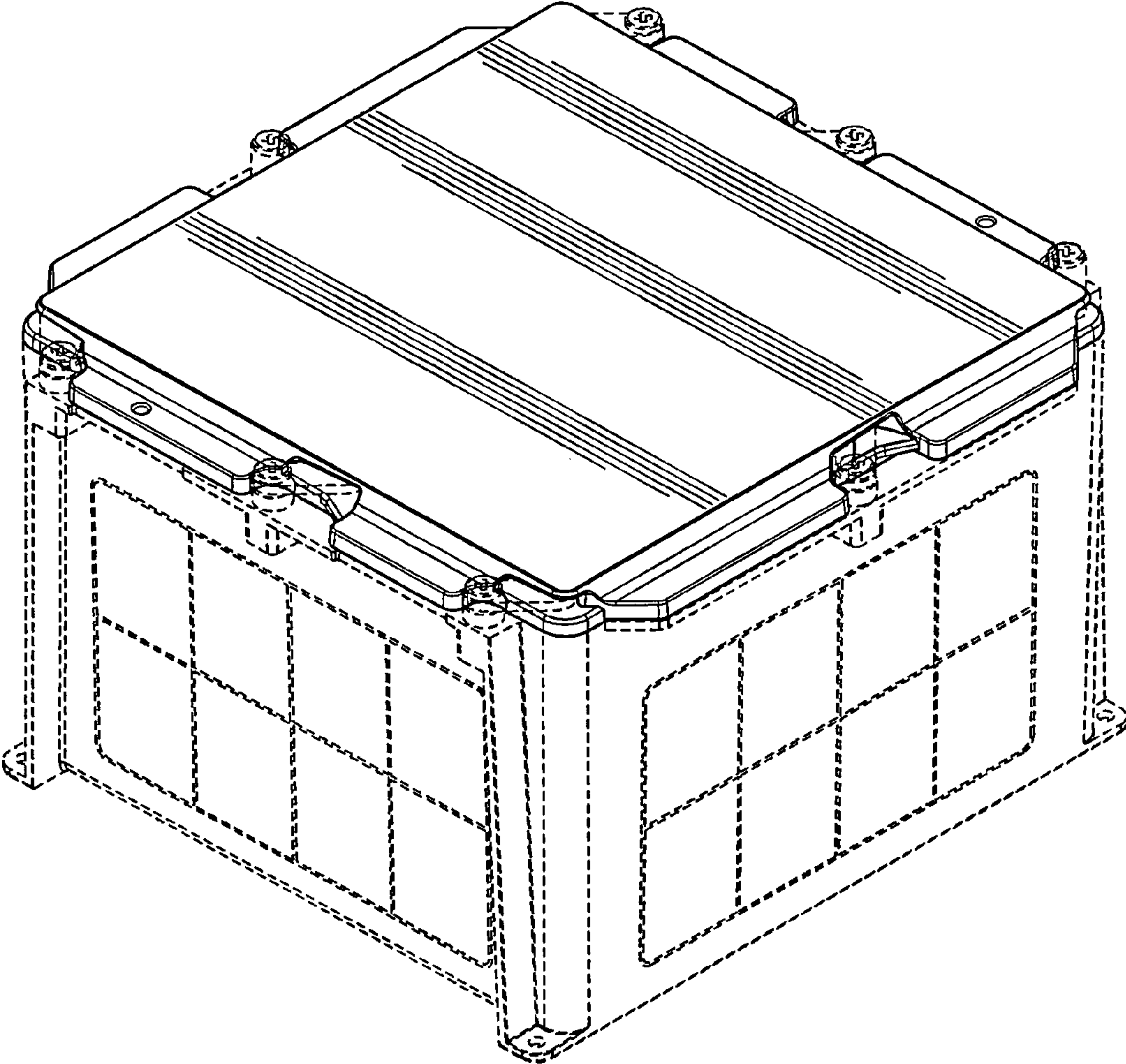


Fig. 2

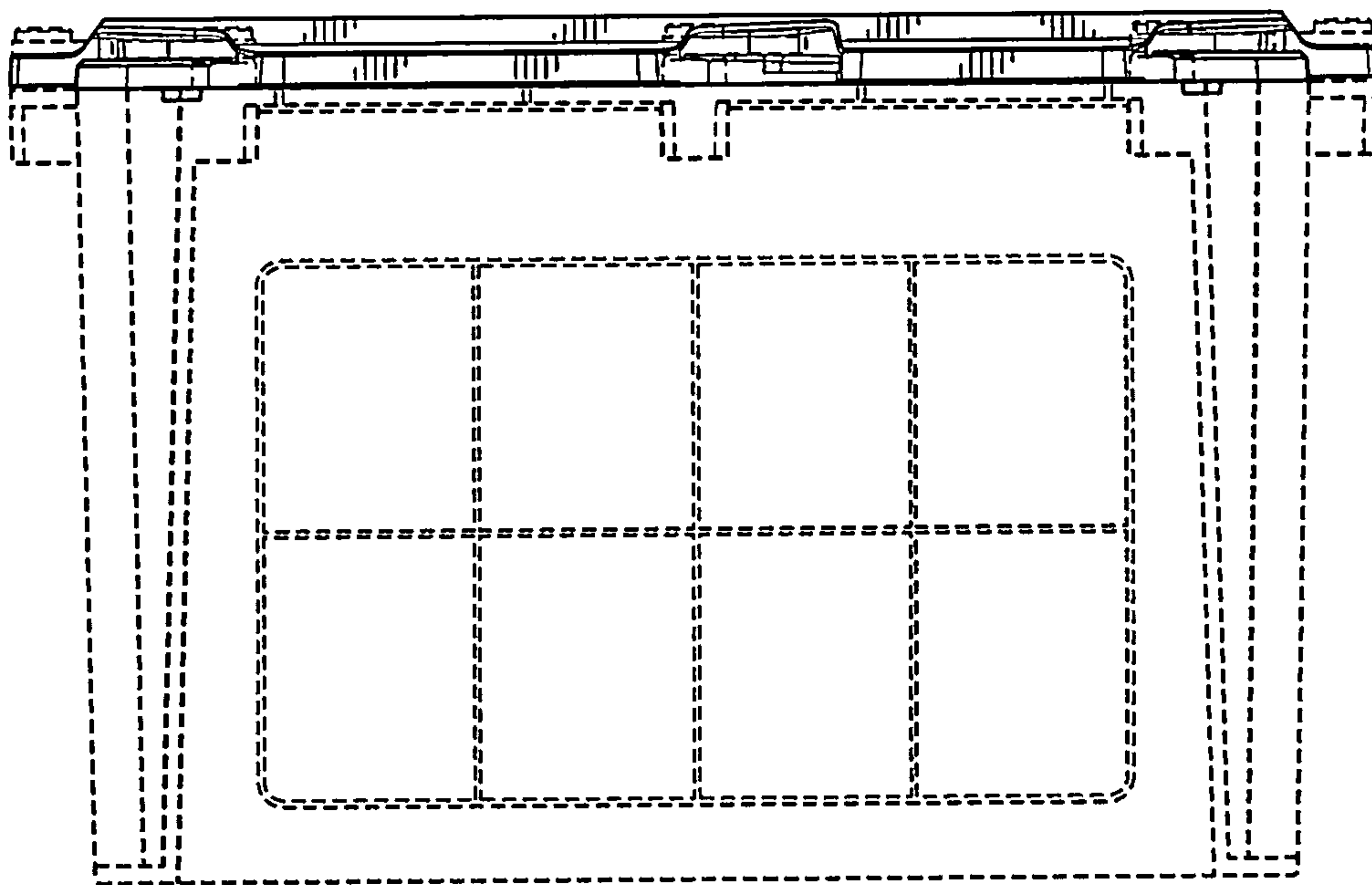


Fig. 3

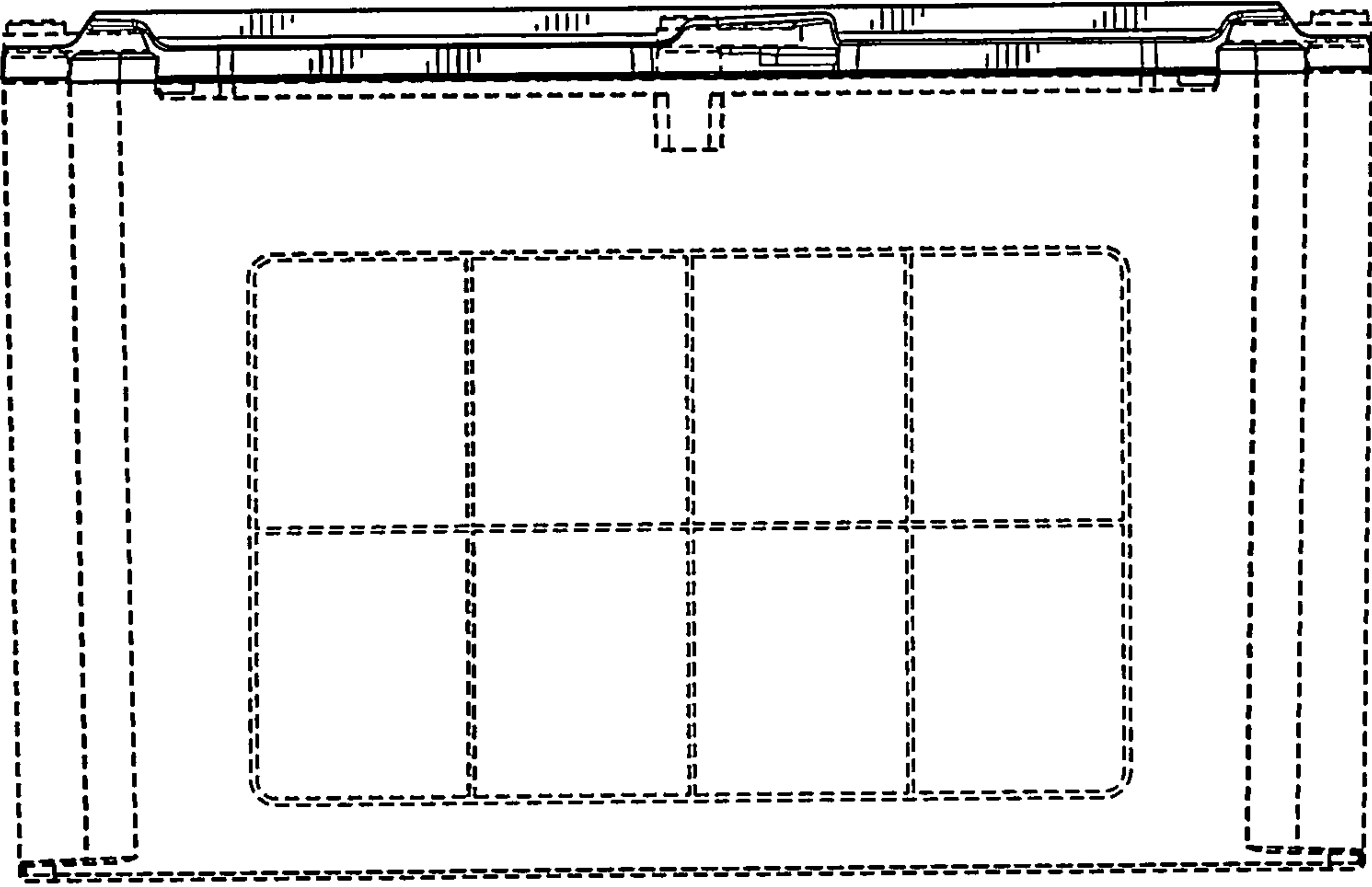


Fig. 4

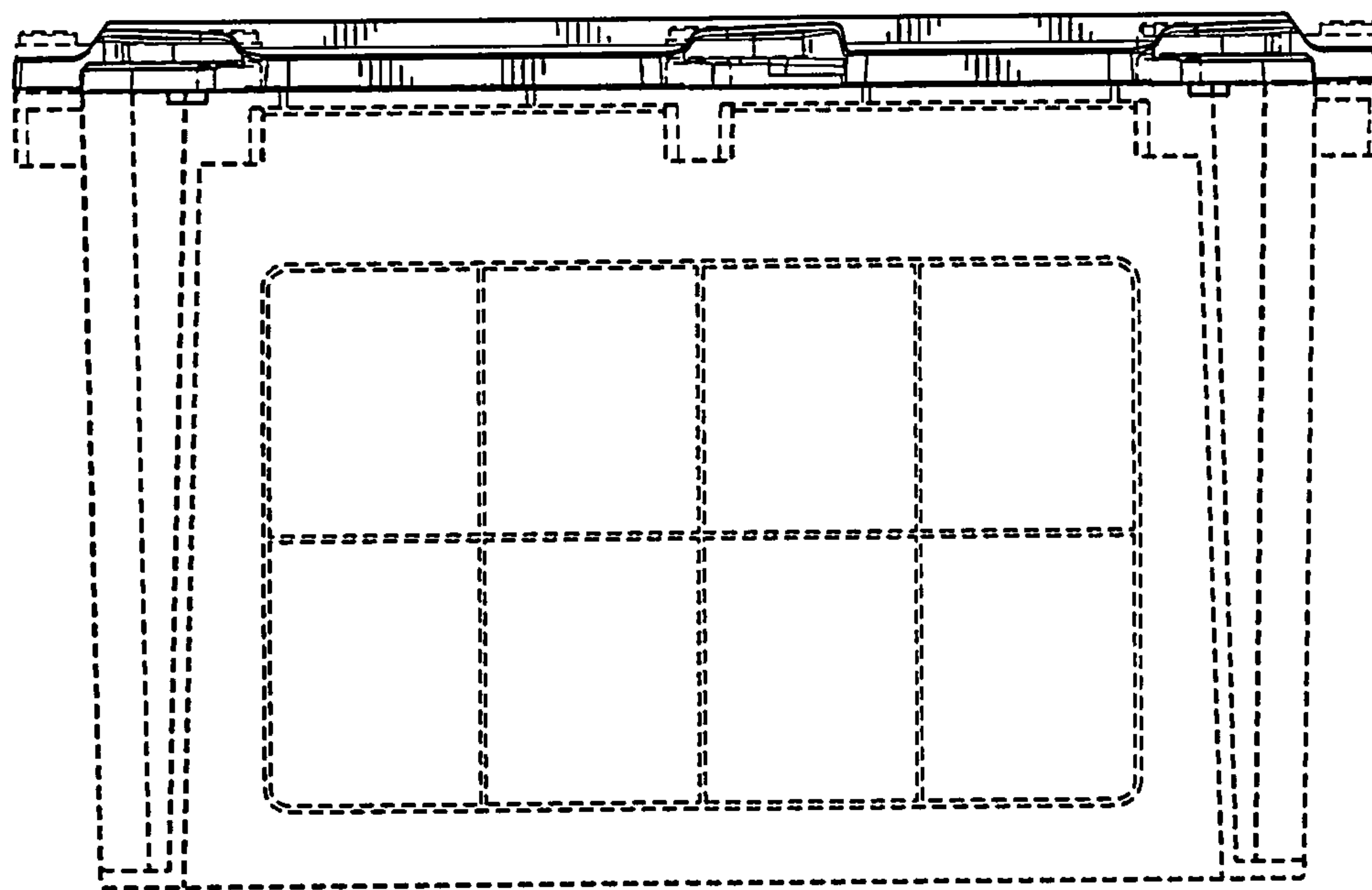


Fig. 5

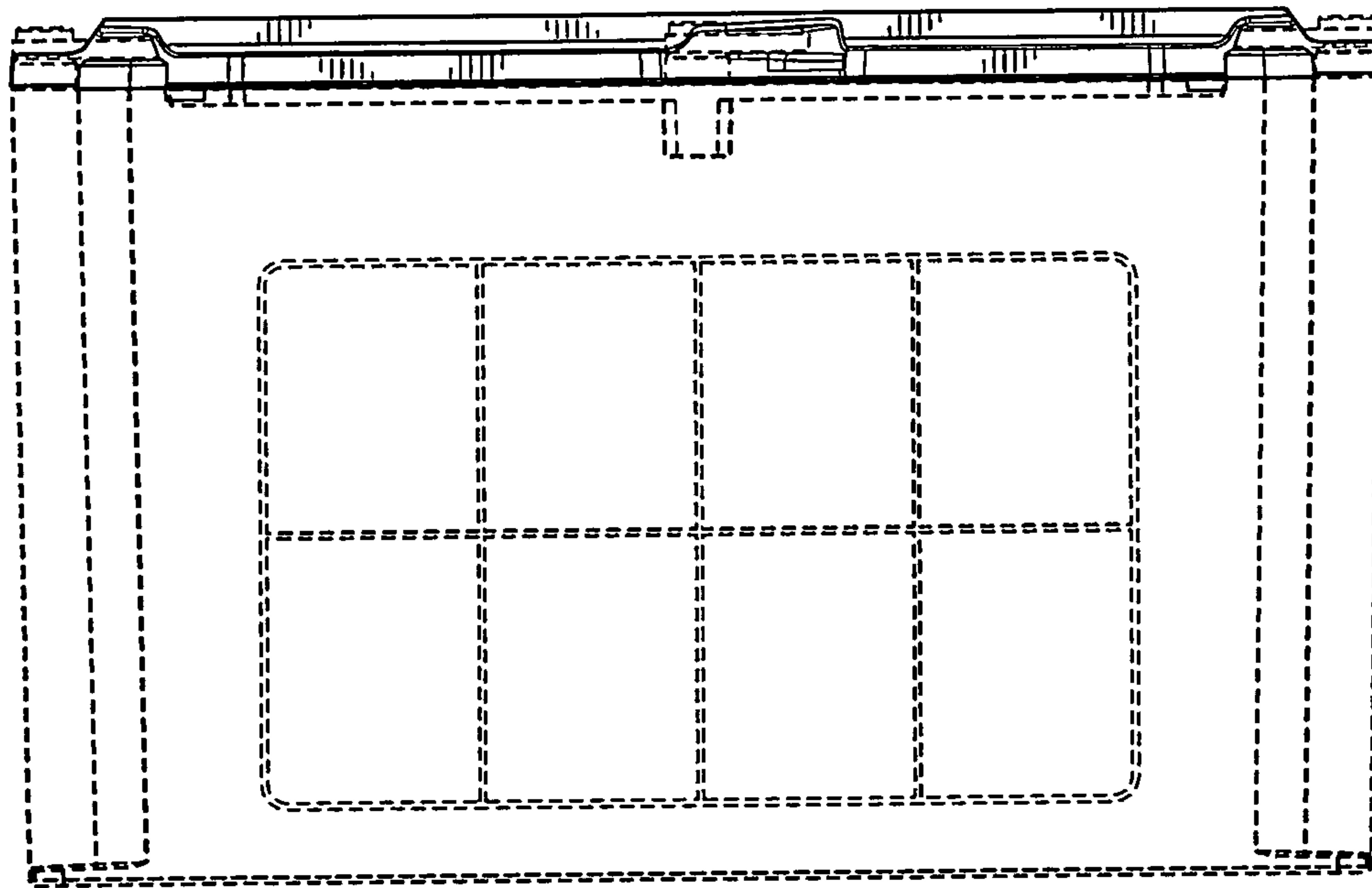


Fig. 6

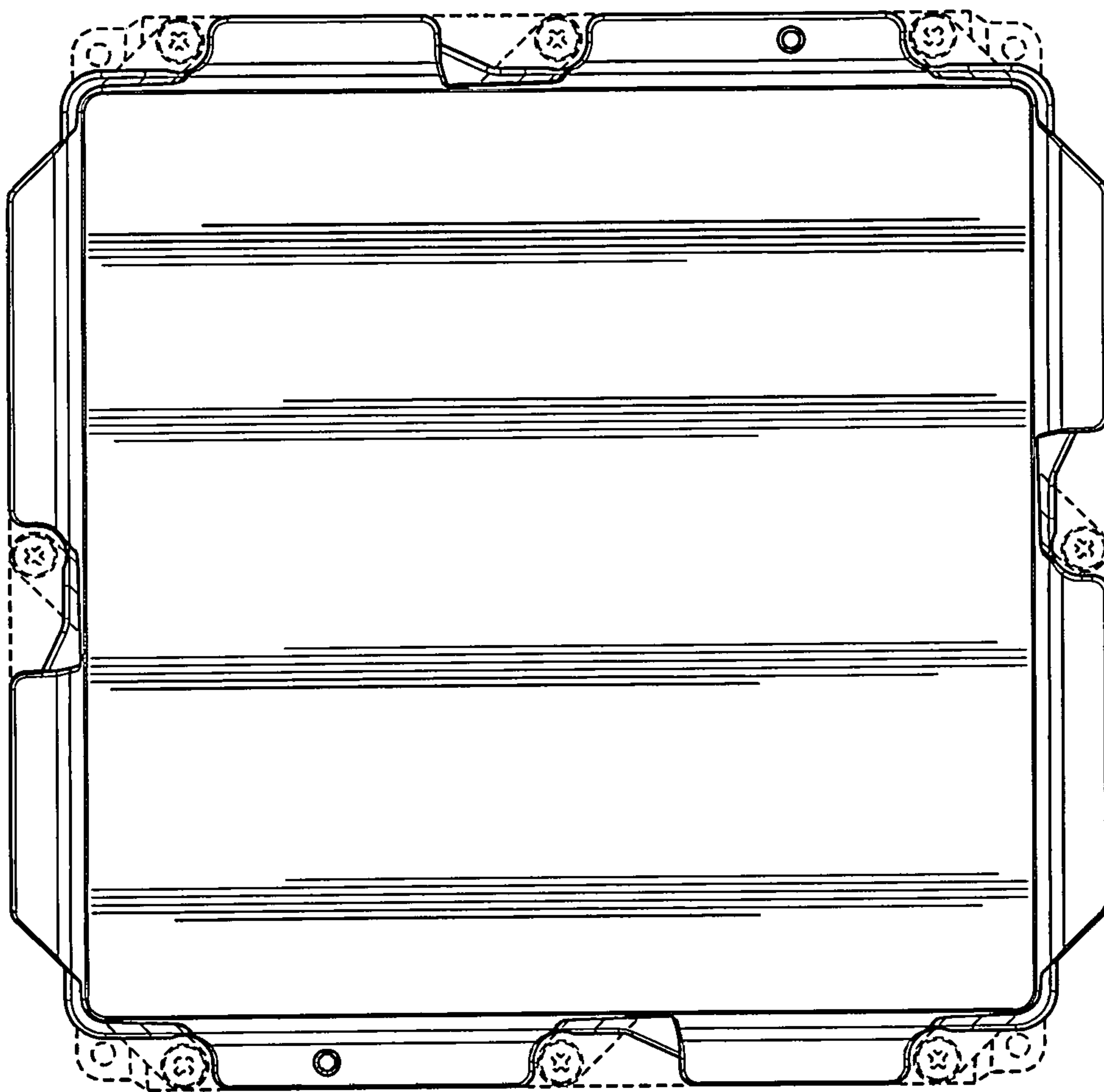
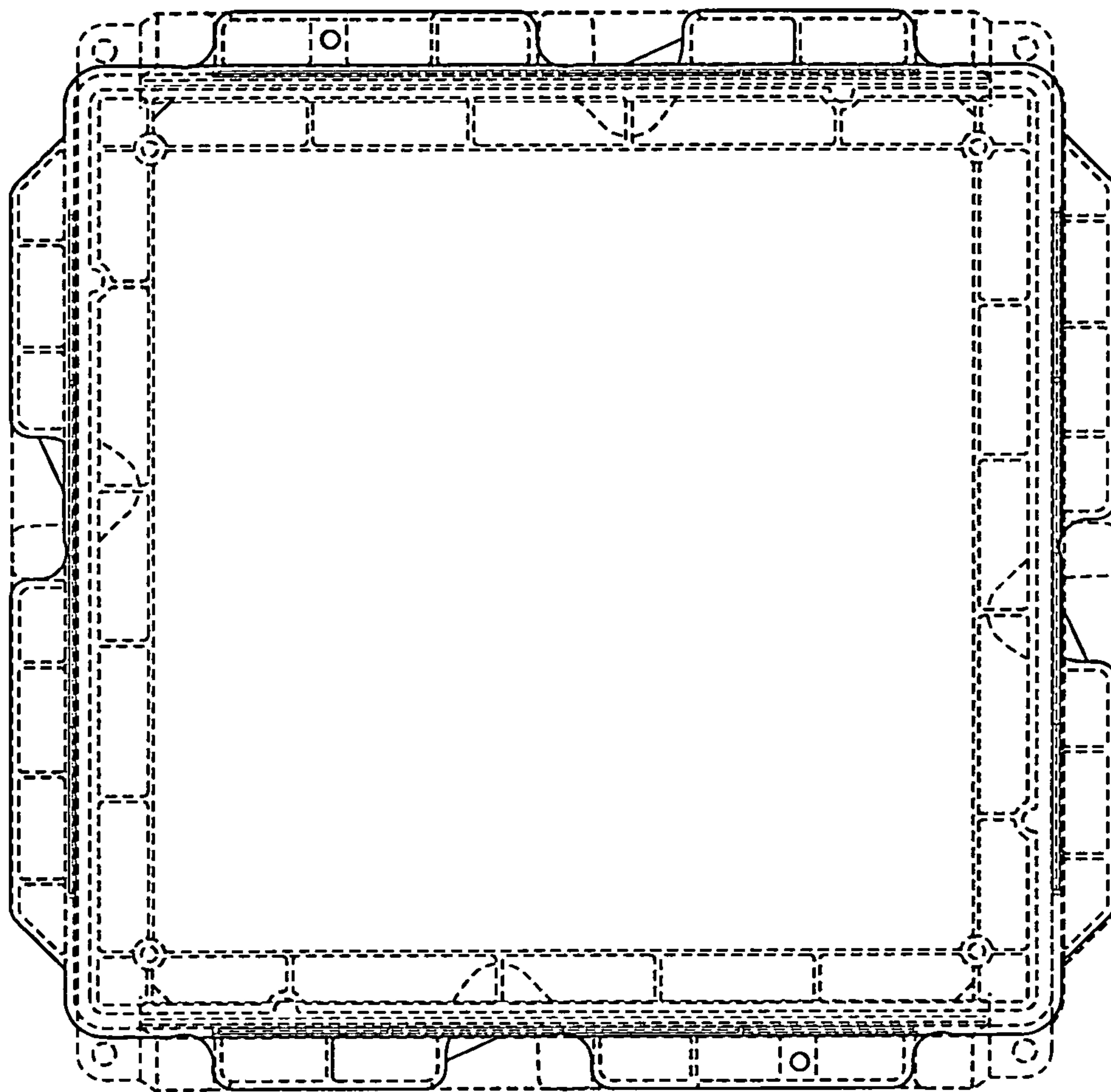


Fig. 7



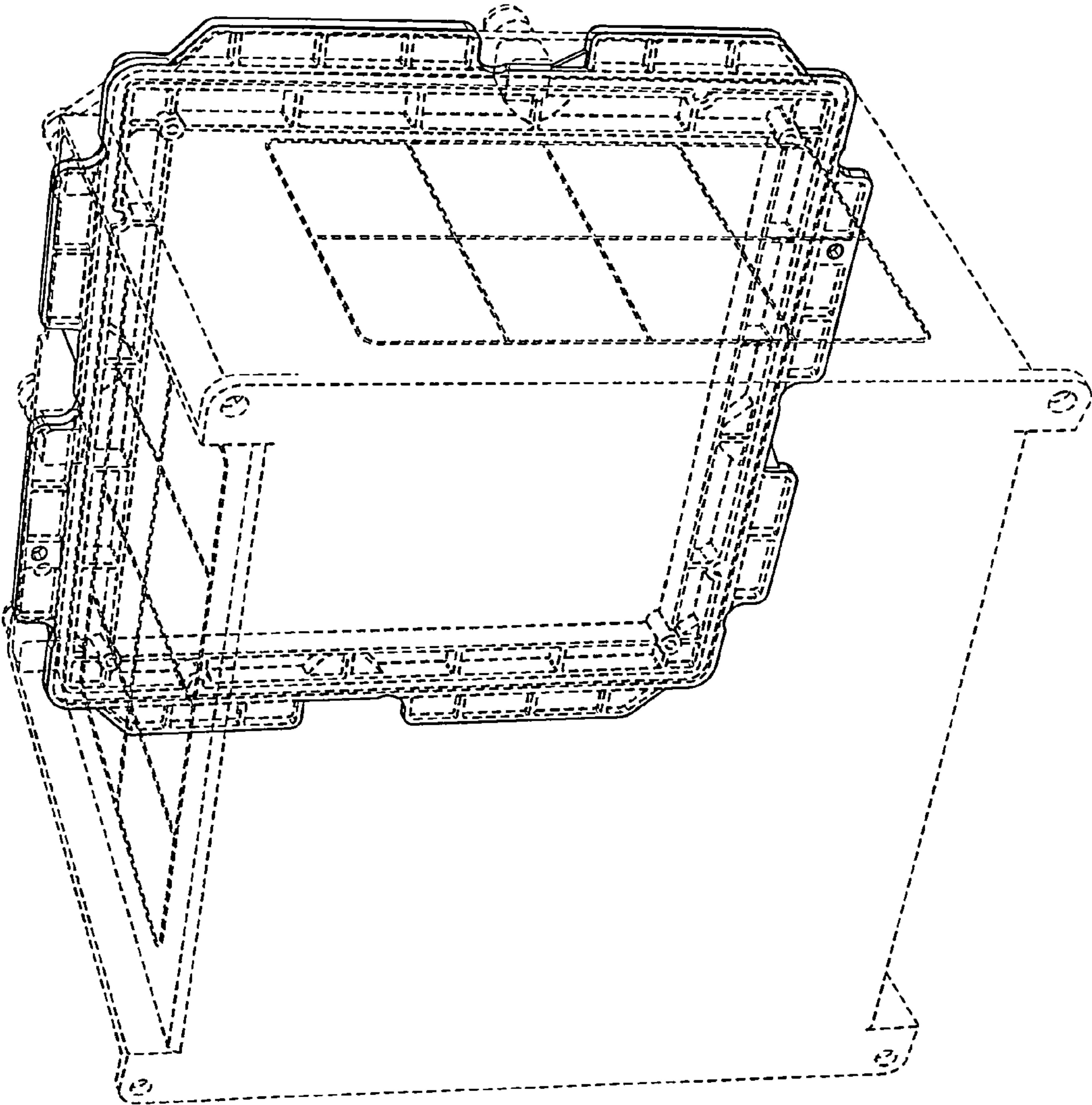


Fig. 8