



US00D741812S

(12) **United States Design Patent**
Leung

(10) **Patent No.:** **US D741,812 S**
(45) **Date of Patent:** **** Oct. 27, 2015**

- (54) **ELECTRICAL JUNCTION BOX LID**
- (71) Applicant: **IPEX TECHNOLOGIES INC.**,
Mississauga (CA)
- (72) Inventor: **Kwan Yu Leung**, Mississauga (CA)
- (73) Assignee: **IPEX TECHNOLOGIES INC.**,
Mississauga (CA)
- (**) Term: **14 Years**
- (21) Appl. No.: **29/474,295**
- (22) Filed: **Aug. 6, 2014**
- (30) **Foreign Application Priority Data**
Jul. 25, 2014 (CA) 157862
- (51) **LOC (10) Cl.** **13-03**
- (52) **U.S. Cl.**
USPC **D13/152**
- (58) **Field of Classification Search**
USPC D13/152, 184, 147, 156, 177, 119;
174/58, 53; D8/350; 220/328, 325;
403/408.1
CPC F16B 5/02; F16J 13/06
See application file for complete search history.

- D331,225 S * 11/1992 Mooneyhan D13/152
- 5,361,925 A * 11/1994 Wecke et al. 220/325
- D372,703 S * 8/1996 Hannon et al. D13/152
- D374,429 S * 10/1996 Blais et al. D13/156
- 5,865,336 A 2/1999 Krzywdziak
- D417,437 S * 12/1999 Kim D13/177
- D422,266 S * 4/2000 Roesch D13/152
- D422,565 S * 4/2000 Kim D13/152
- D423,461 S * 4/2000 Layton, Jr. D13/152

(Continued)

OTHER PUBLICATIONS

IPEX Technologies Inc., Box and Gasket Assembly, Jul. 19, 2011, 1 page containing 3 photo views, Mississauga ON Canada.

Primary Examiner — Holly Baynham
Assistant Examiner — Rhea Shields

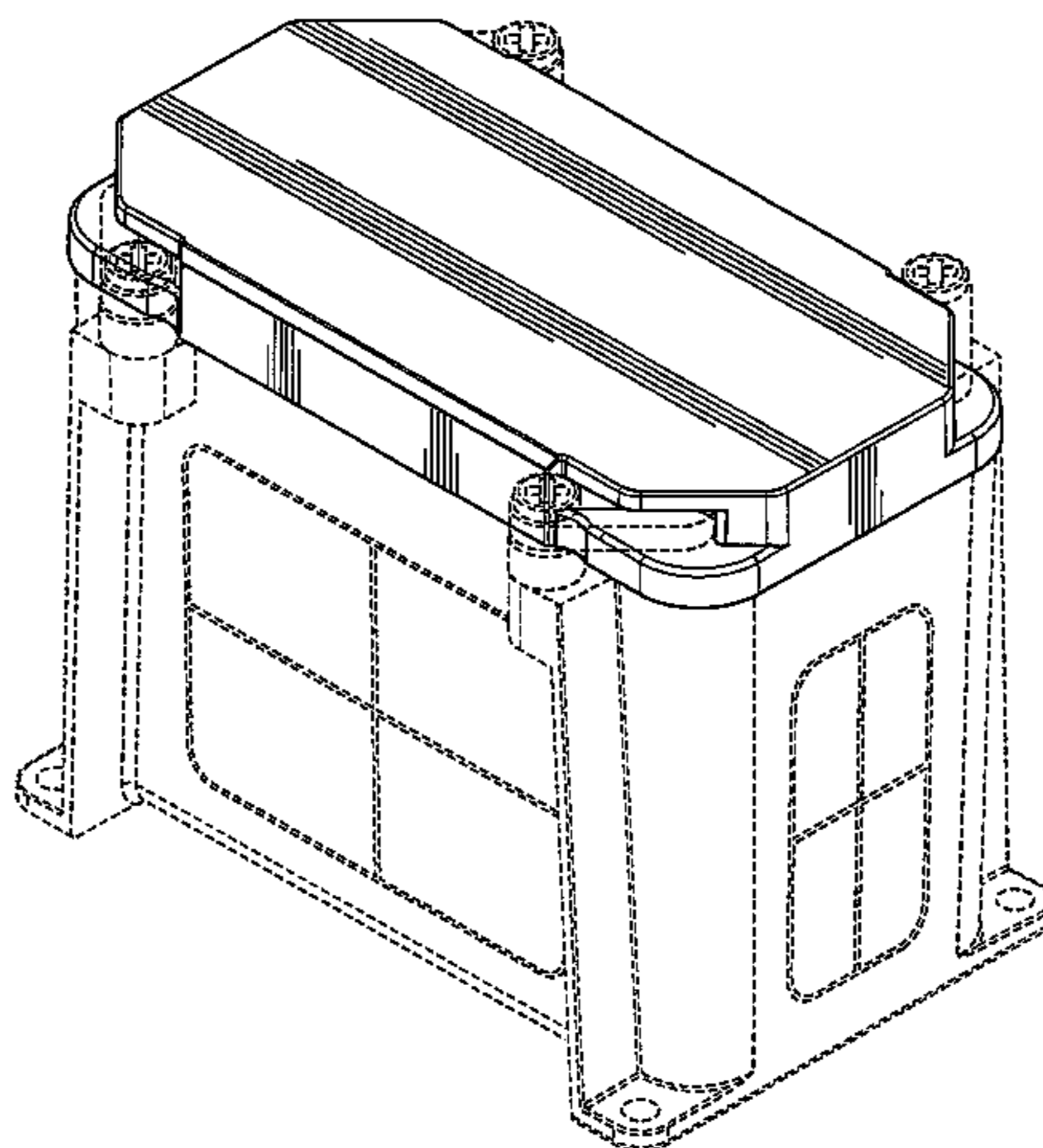
(57) **CLAIM**
The ornamental design for an electrical junction box lid, as shown and described.

DESCRIPTION

FIG. 1 is a perspective view taken from the top and one side of the design;
FIG. 2 is a front elevational view of the design shown in FIG. 1;
FIG. 3 is a right side elevational view of the design shown in FIG. 1;
FIG. 4 is a rear elevational view of the design shown in FIG. 1;
FIG. 5 is a left side elevational view of the design shown in FIG. 1;
FIG. 6 is a top elevational view of the design shown in FIG. 1;
FIG. 7 is a bottom elevational view of the design shown in FIG. 1; and,
FIG. 8 is a bottom perspective view of the design shown in FIG. 1.
The broken lines are for the purpose of illustrating environment only and form no part of the claimed design.

1 Claim, 8 Drawing Sheets

- (56) **References Cited**
U.S. PATENT DOCUMENTS
1,208,618 A 12/1916 Morrison
2,263,842 A 11/1941 Gross
2,263,843 A 11/1941 Gross
2,642,016 A 6/1953 Thalmann
3,296,763 A 1/1967 Curl
3,480,311 A * 11/1969 Lanham, Jr. 403/408.1
3,951,300 A 4/1976 Kalasek
4,129,395 A 12/1978 Theurer
4,358,130 A 11/1982 Adams
4,941,588 A 7/1990 Flider
5,050,764 A 9/1991 Voss
5,123,795 A 6/1992 Engel



(56)

References Cited

U.S. PATENT DOCUMENTS

| | | | | | | | | | | | |
|-----------|------|---------|------------------|-------|---------|--------------|------|---------|------------------|-------|---------|
| D424,523 | S * | 5/2000 | Hughes | | D13/147 | D636,343 | S * | 4/2011 | Leal et al. | | D13/152 |
| D462,329 | S * | 9/2002 | Hughes et al. | | D13/152 | D638,367 | S * | 5/2011 | Isaacks et al. | | D13/152 |
| 6,530,629 | B2 | 3/2003 | Shyr | | | 7,997,841 | B2 | 8/2011 | Show | | |
| D499,070 | S * | 11/2004 | Lavington | | D13/119 | D676,814 | S * | 2/2013 | Paul | | D13/152 |
| 7,032,708 | B2 | 4/2006 | Popken | | | D686,995 | S * | 7/2013 | Nikayin | | D13/152 |
| D556,143 | S | 11/2007 | Ni | | | D686,997 | S * | 7/2013 | Inaba et al. | | D13/152 |
| D560,170 | S | 1/2008 | Ni | | | D688,211 | S * | 8/2013 | Xue et al. | | D13/152 |
| D563,895 | S * | 3/2008 | Stuckmann et al. | | D13/152 | D688,241 | S | 8/2013 | Miller et al. | | |
| D588,067 | S * | 3/2009 | Seropian | | D13/152 | 8,575,483 | B2 * | 11/2013 | Gauthier | | 174/58 |
| D593,970 | S * | 6/2009 | Sonntag | | D13/184 | D698,318 | S * | 1/2014 | Villen Hernandez | | |
| 7,607,553 | B2 * | 10/2009 | Weber | | 220/328 | | | | et al. | | D13/152 |
| D606,033 | S * | 12/2009 | Sonntag | | D13/184 | D702,198 | S * | 4/2014 | Gretz | | D13/184 |
| D626,509 | S * | 11/2010 | Severing | | D13/147 | 8,748,744 | B2 * | 6/2014 | O'Connor et al. | | 174/53 |
| D632,256 | S * | 2/2011 | Higuchi | | D13/152 | D709,835 | S * | 7/2014 | Jones | | D13/152 |
| D635,098 | S * | 3/2011 | Ismert | | D13/152 | D711,834 | S * | 8/2014 | Jones | | D13/152 |
| | | | | | | D713,355 | S * | 9/2014 | Jones et al. | | D13/152 |
| | | | | | | D714,617 | S * | 10/2014 | Miller et al. | | D8/350 |
| | | | | | | 2011/0262243 | A1 | 10/2011 | Glickman | | |

* cited by examiner

Fig. 1

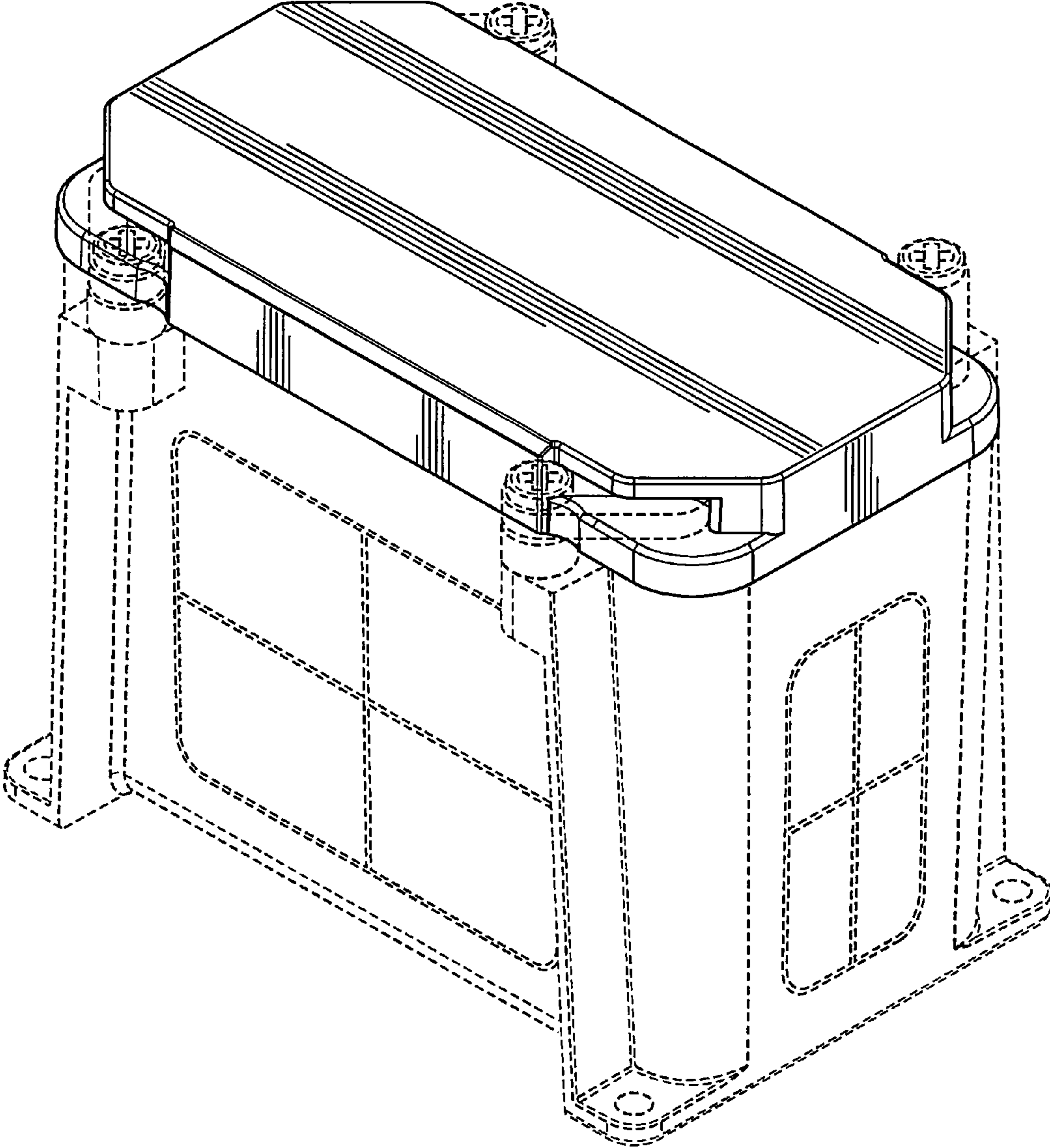


Fig. 2

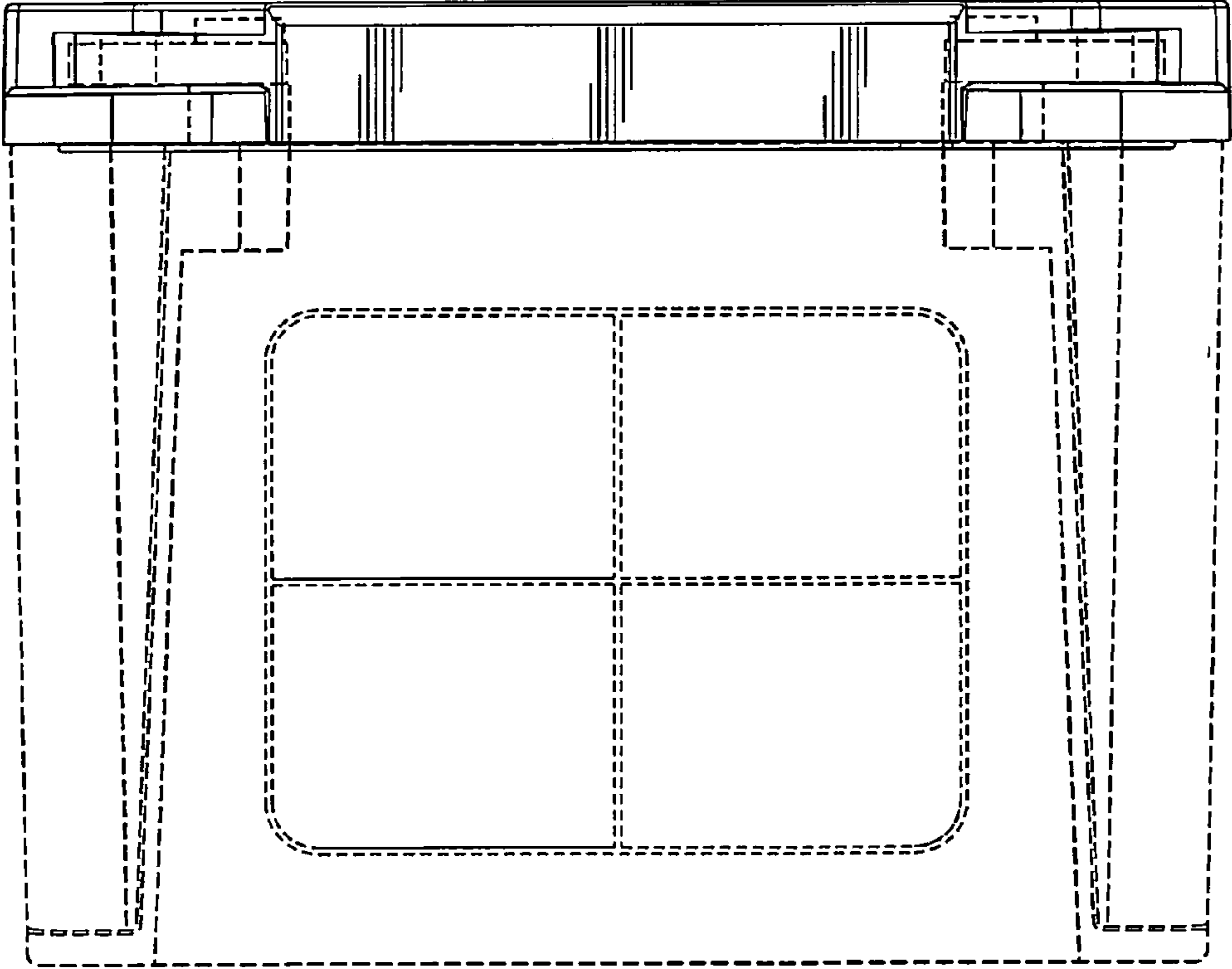


Fig. 3

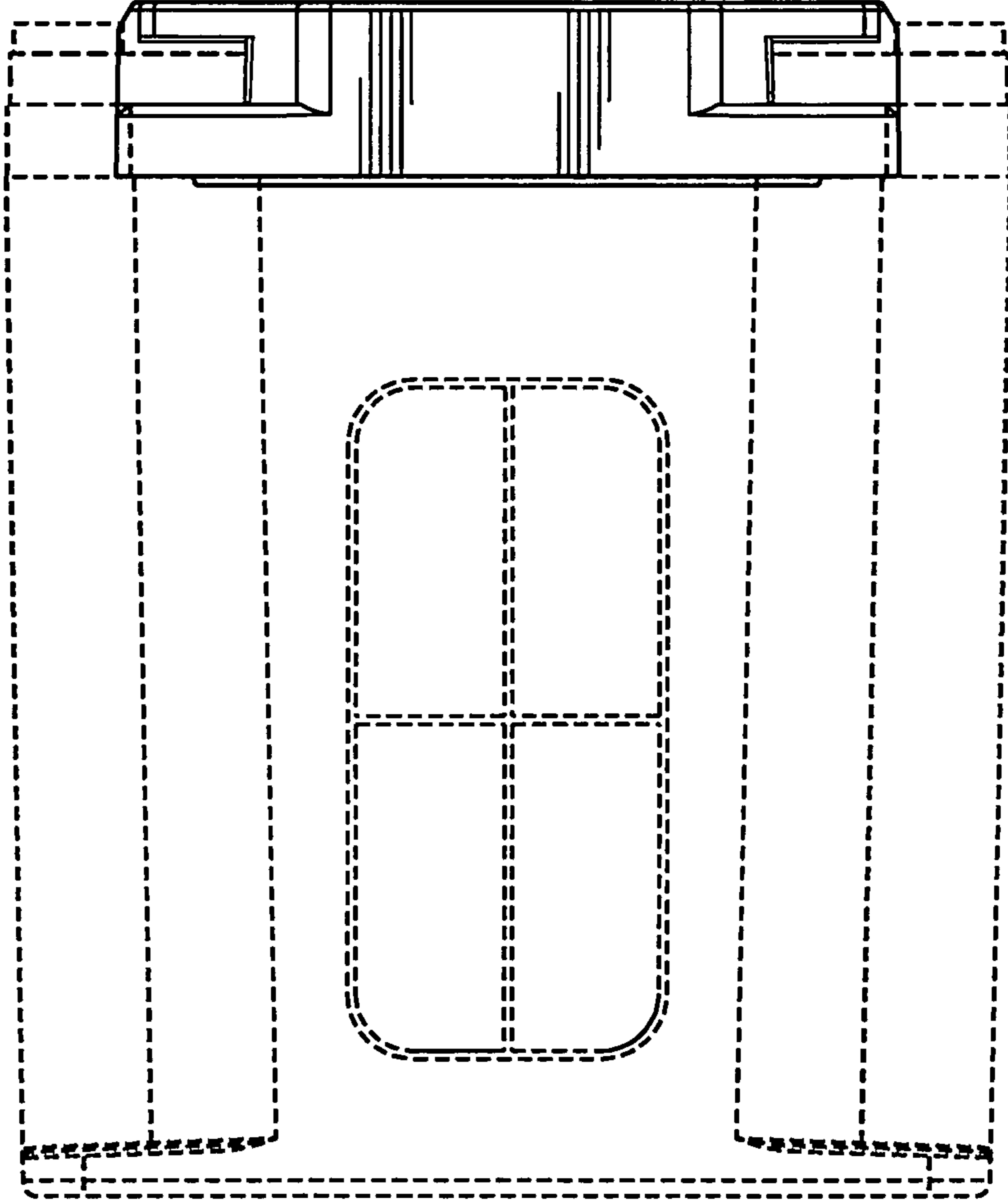


Fig. 4

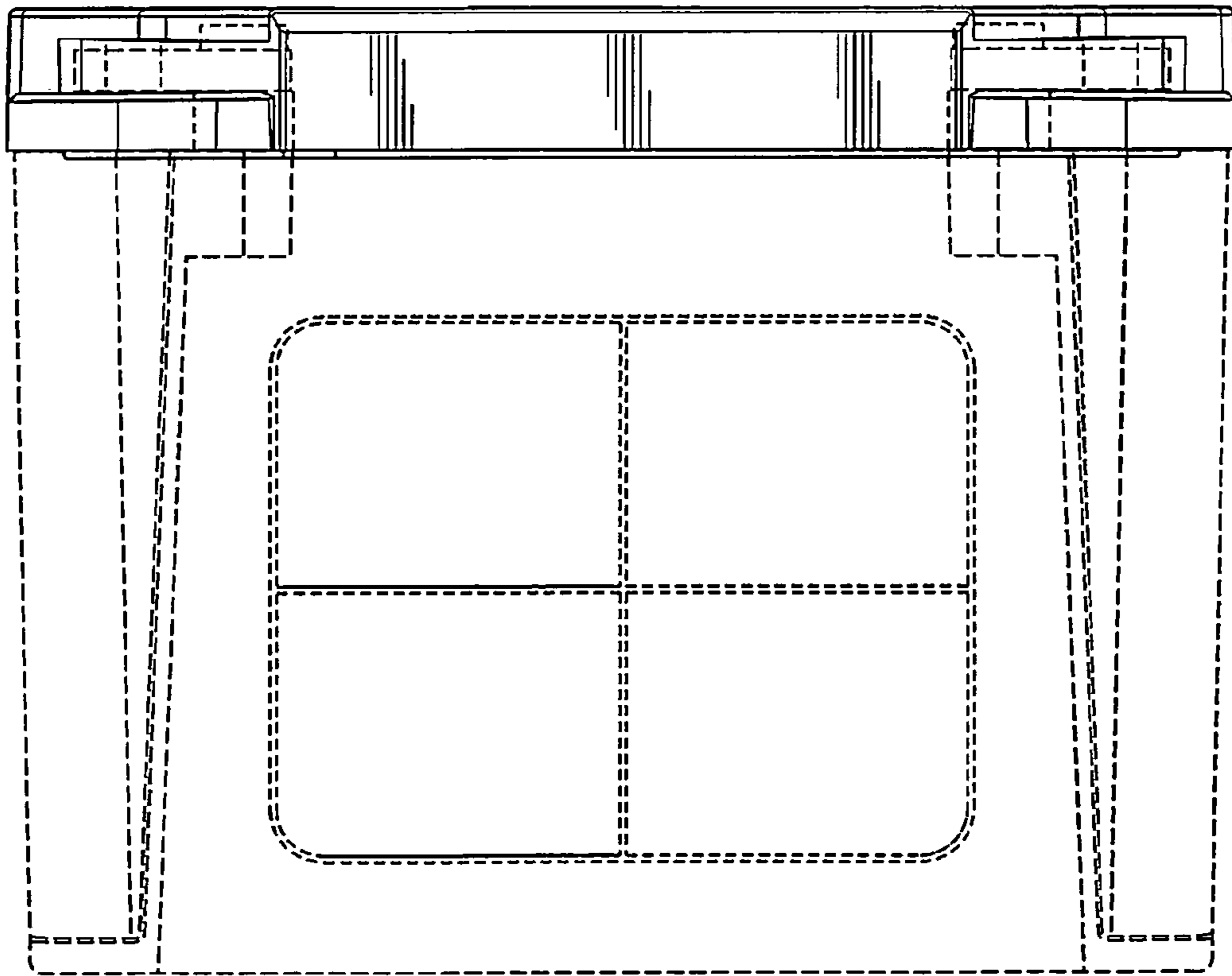


Fig. 5

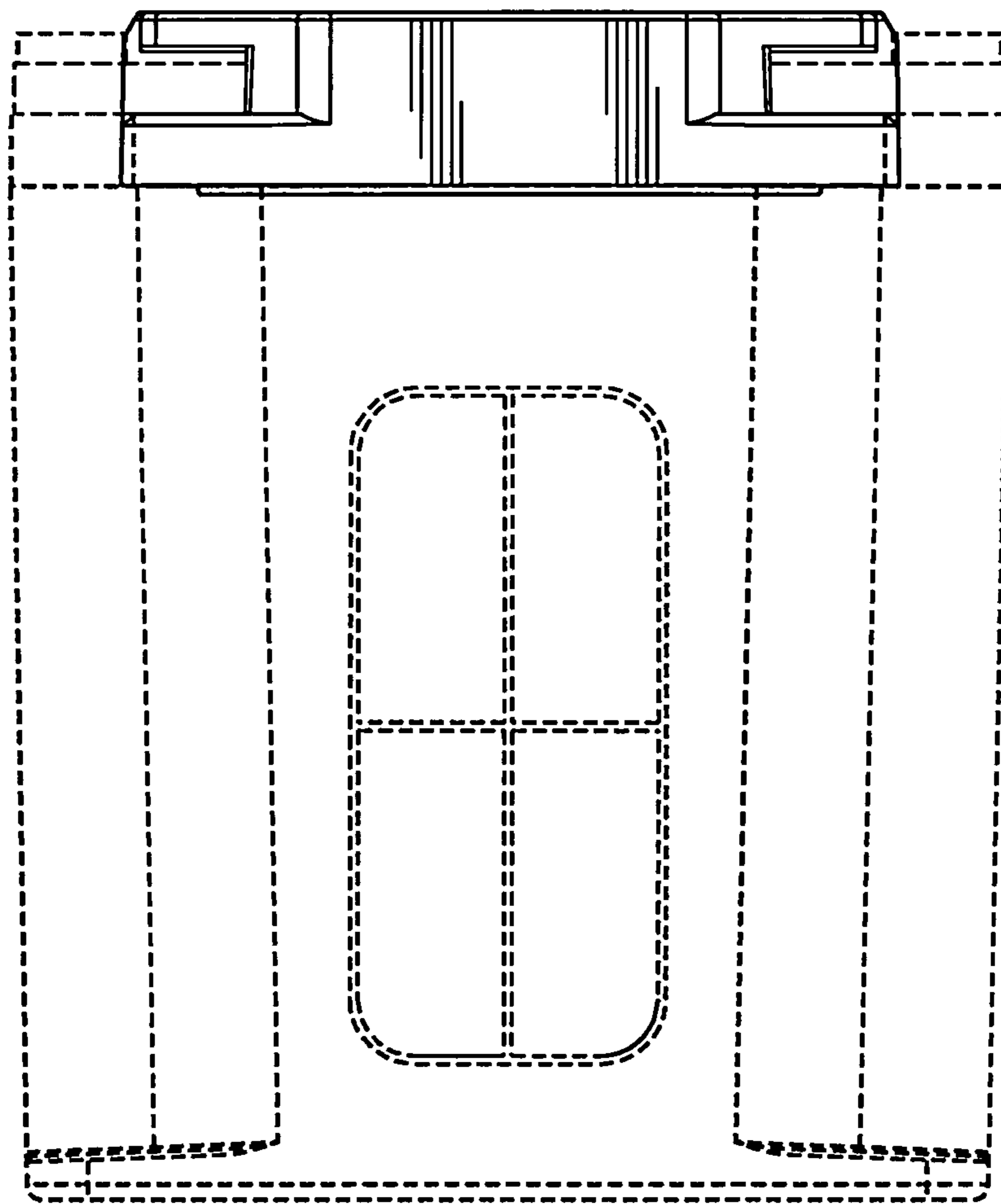


Fig. 6

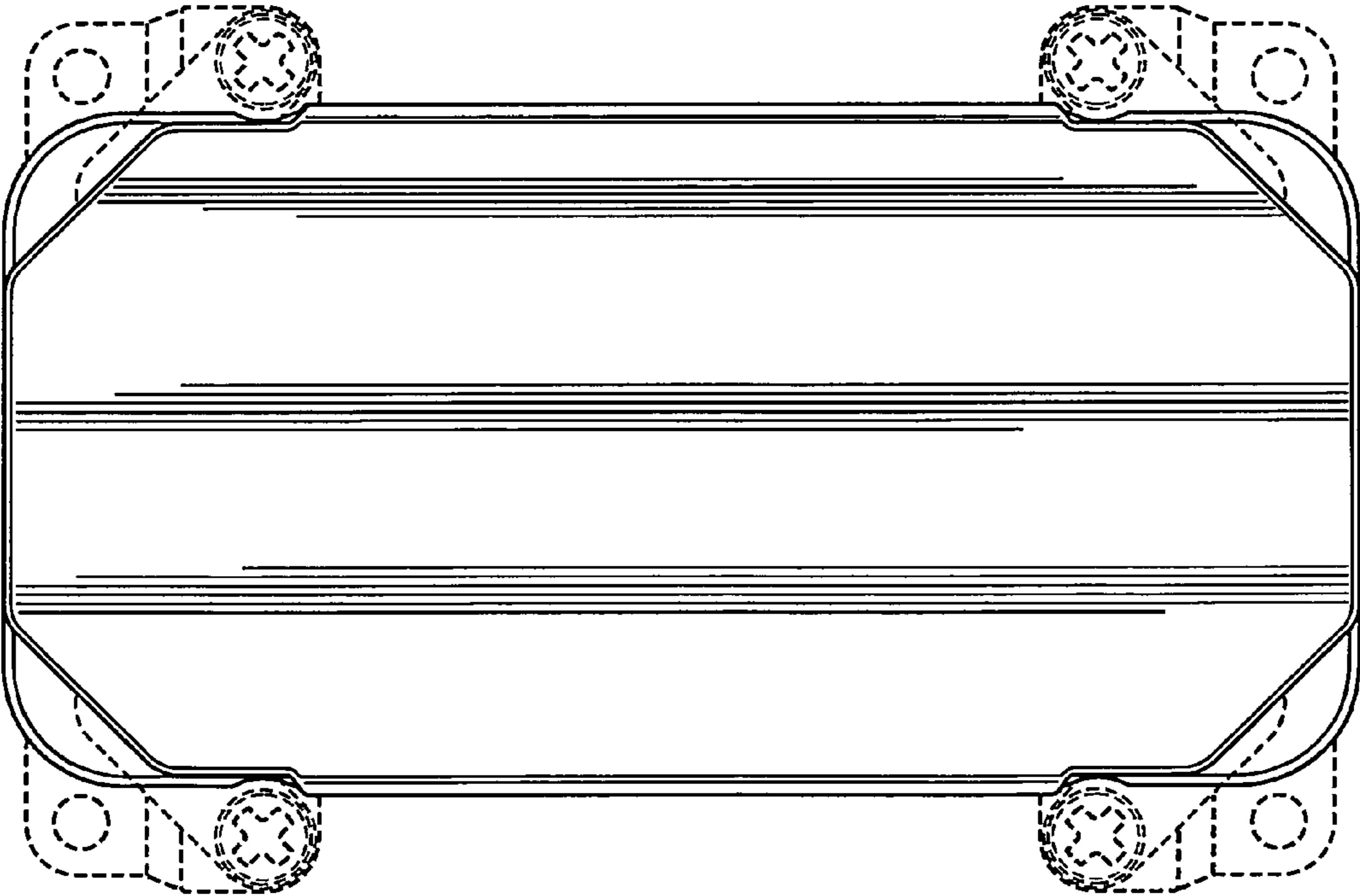
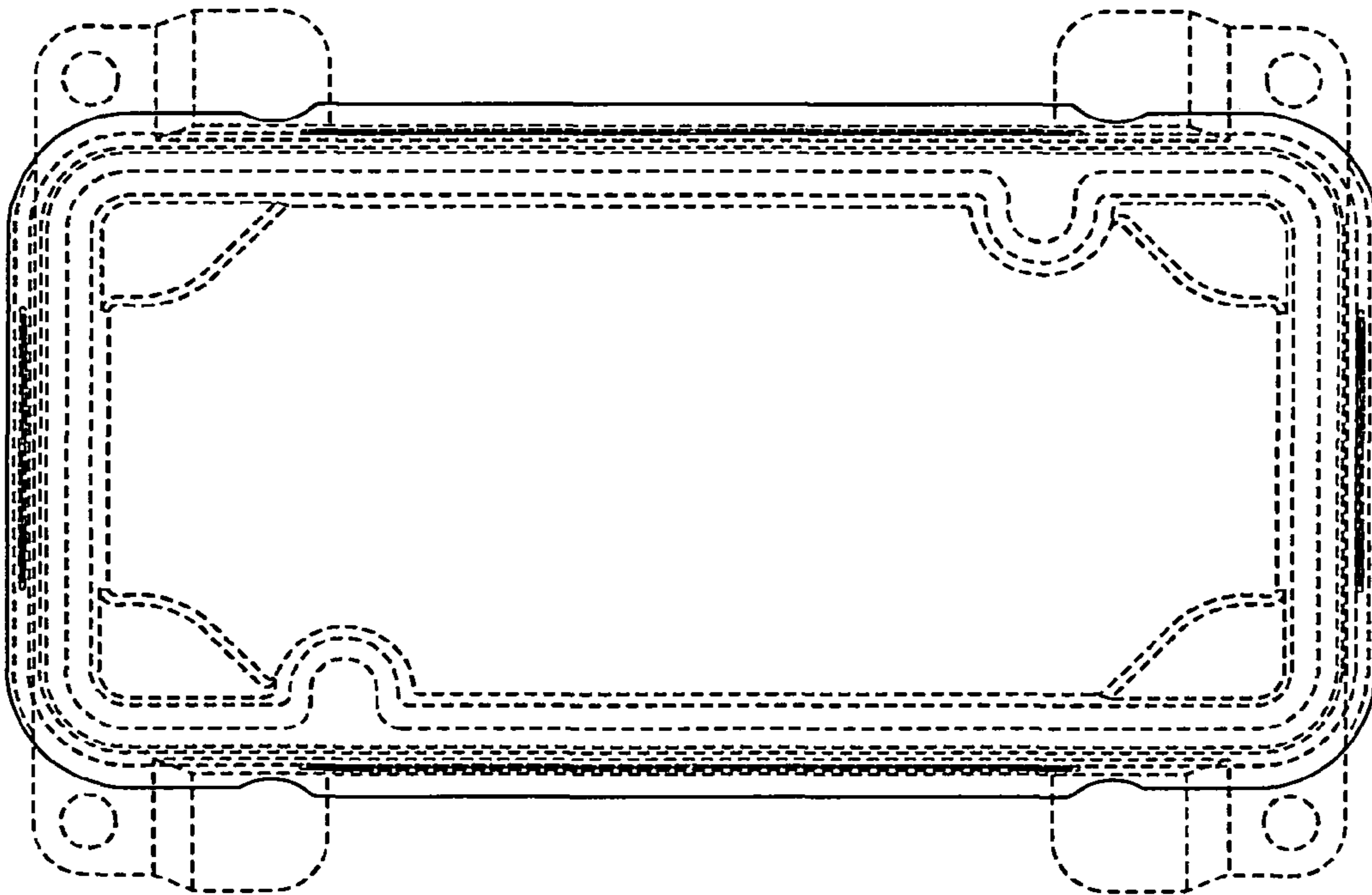


Fig. 7



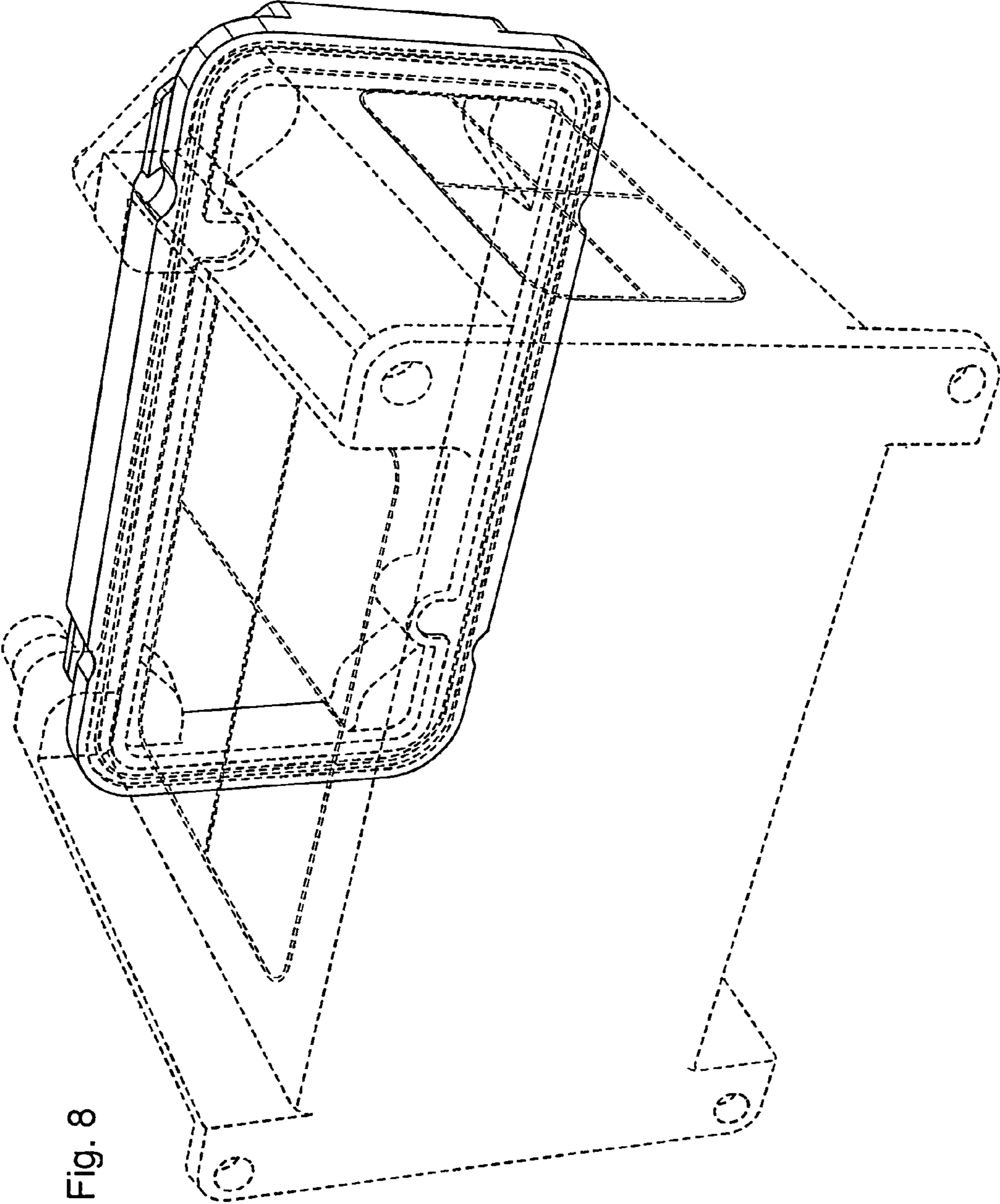


Fig. 8