



US00D741811S

(12) **United States Design Patent**
Hochman et al.

(10) **Patent No.:** **US D741,811 S**

(45) **Date of Patent:** **** Oct. 27, 2015**

(54) **INJECTION DEVICE ADAPTER**

(71) Applicant: **Milestone Scientific Inc.**, Livingston, NJ
(US)

(72) Inventors: **Mark N. Hochman**, Lake Success, NY
(US); **Stephen R. Solomon**, Cranford,
NJ (US); **Richard Kenneth Buck**,
Crystal Lake, IL (US); **Robert John
Allen**, Crystal Lake, IL (US)

(73) Assignee: **Milestone Scientific Inc.**, Livingston, NJ
(US)

(**) Term: **14 Years**

(21) Appl. No.: **29/513,605**

(22) Filed: **Jan. 2, 2015**

(51) **LOC (10) Cl.** **13-03**

(52) **U.S. Cl.**
USPC **D13/147**

(58) **Field of Classification Search**
USPC D13/133, 147, 154, 184, 199
See application file for complete search history.

(56) **References Cited**

U.S. PATENT DOCUMENTS

D409,148	S	*	5/1999	Yotsutani	D13/147
D436,927	S	*	1/2001	Hogan	D13/147
D600,644	S	*	9/2009	Leung	D13/147
D642,984	S	*	8/2011	Sasaki	D13/147

* cited by examiner

Primary Examiner — Daniel Bui

(74) *Attorney, Agent, or Firm* — Notaro, Michalos &
Zaccaria P.C.

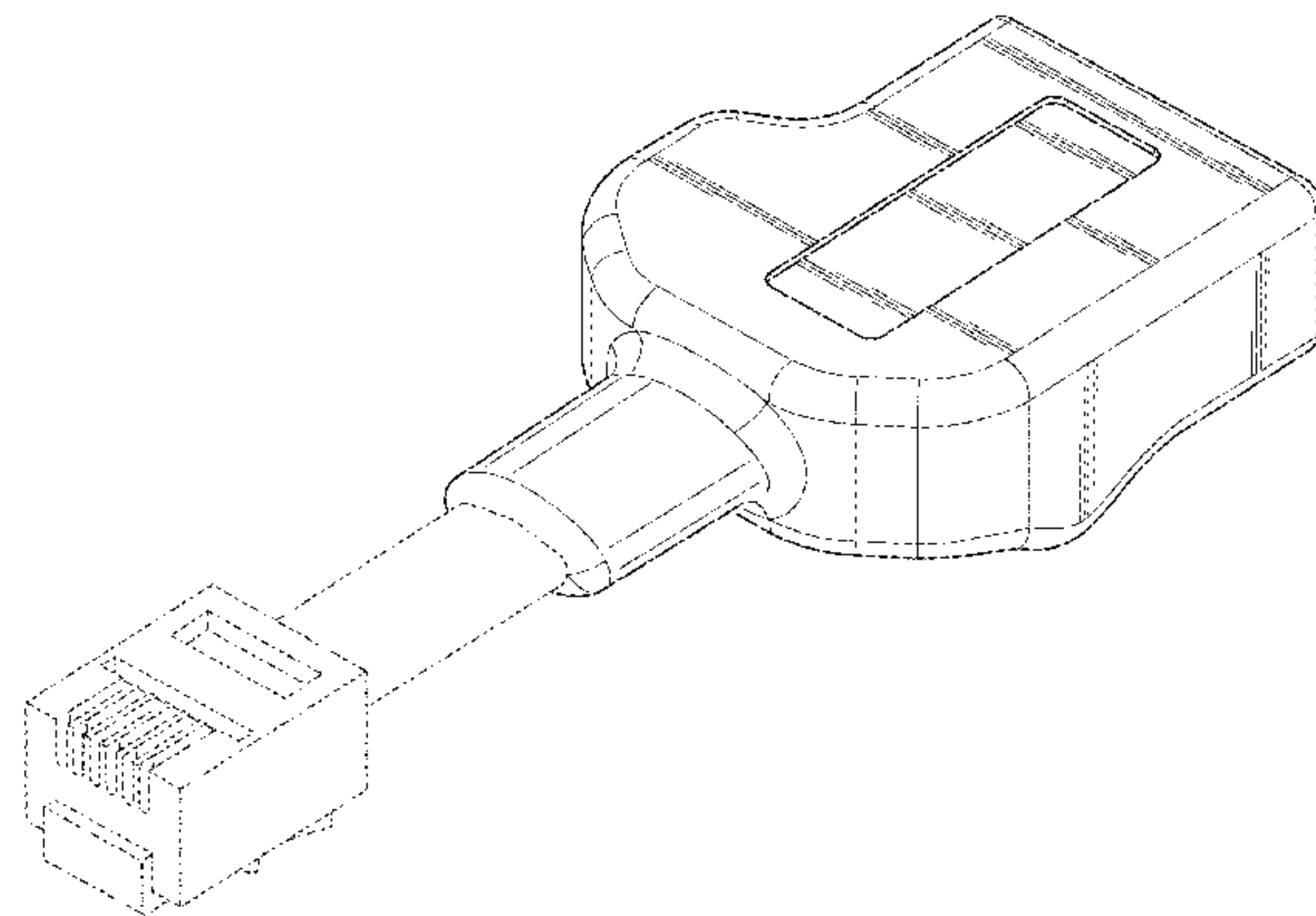
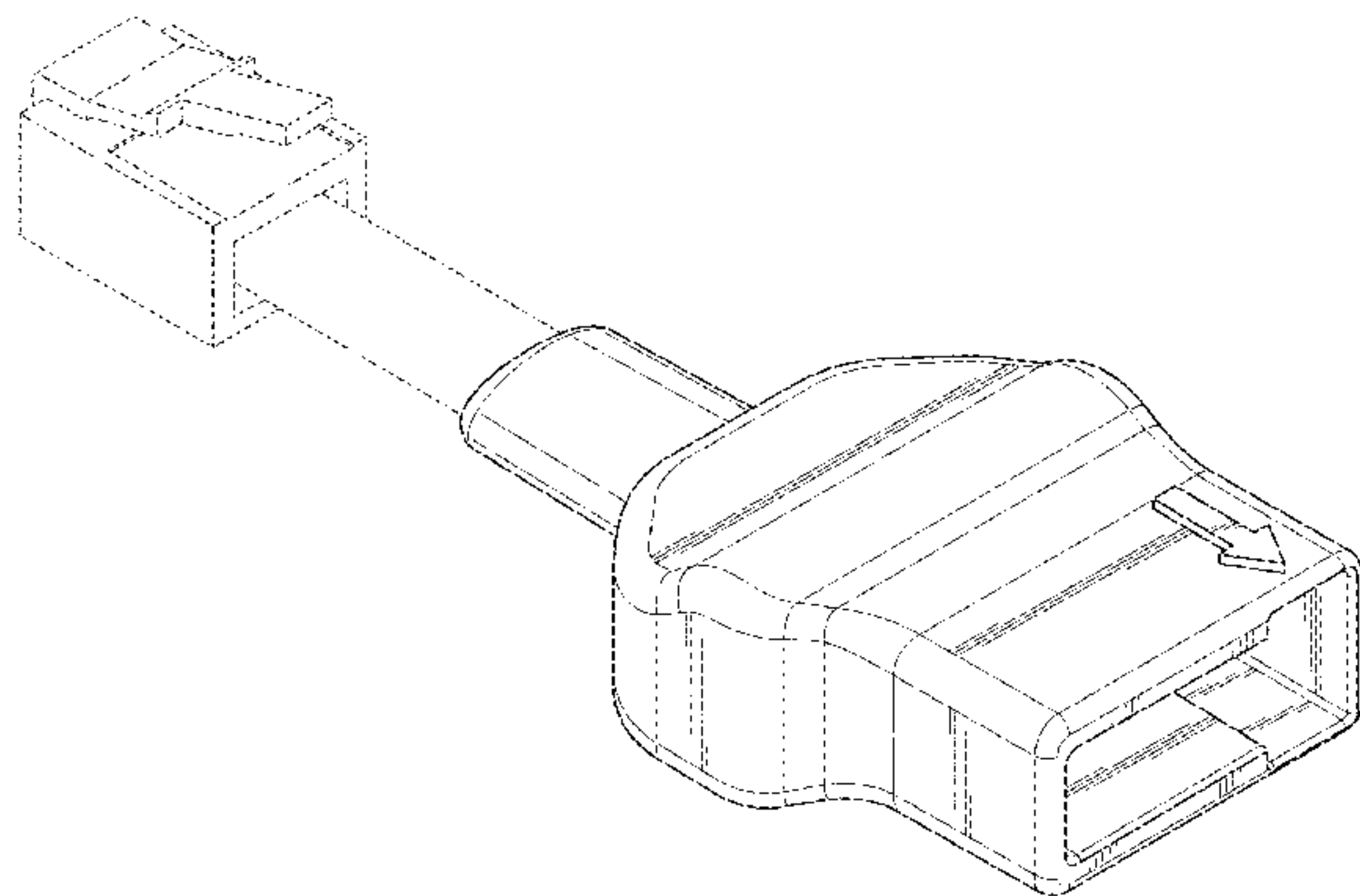
(57) **CLAIM**

The ornamental design for an injection device adapter, as shown and described.

DESCRIPTION

FIG. 1 is a top, front, right perspective view of an injection device adapter showing our design therefor;
FIG. 2 is a bottom, rear, left perspective view thereof;
FIG. 3 is a top plan view thereof;
FIG. 4 is a bottom plan view thereof;
FIG. 5 is a right side elevational view thereof;
FIG. 6 is a left side elevational view thereof;
FIG. 7 is a rear elevational view thereof; and,
FIG. 8 is a front elevational view thereof.
Throughout the drawings, the lines shown in broken dash-dot lines are environment and form no part of the design.

1 Claim, 7 Drawing Sheets



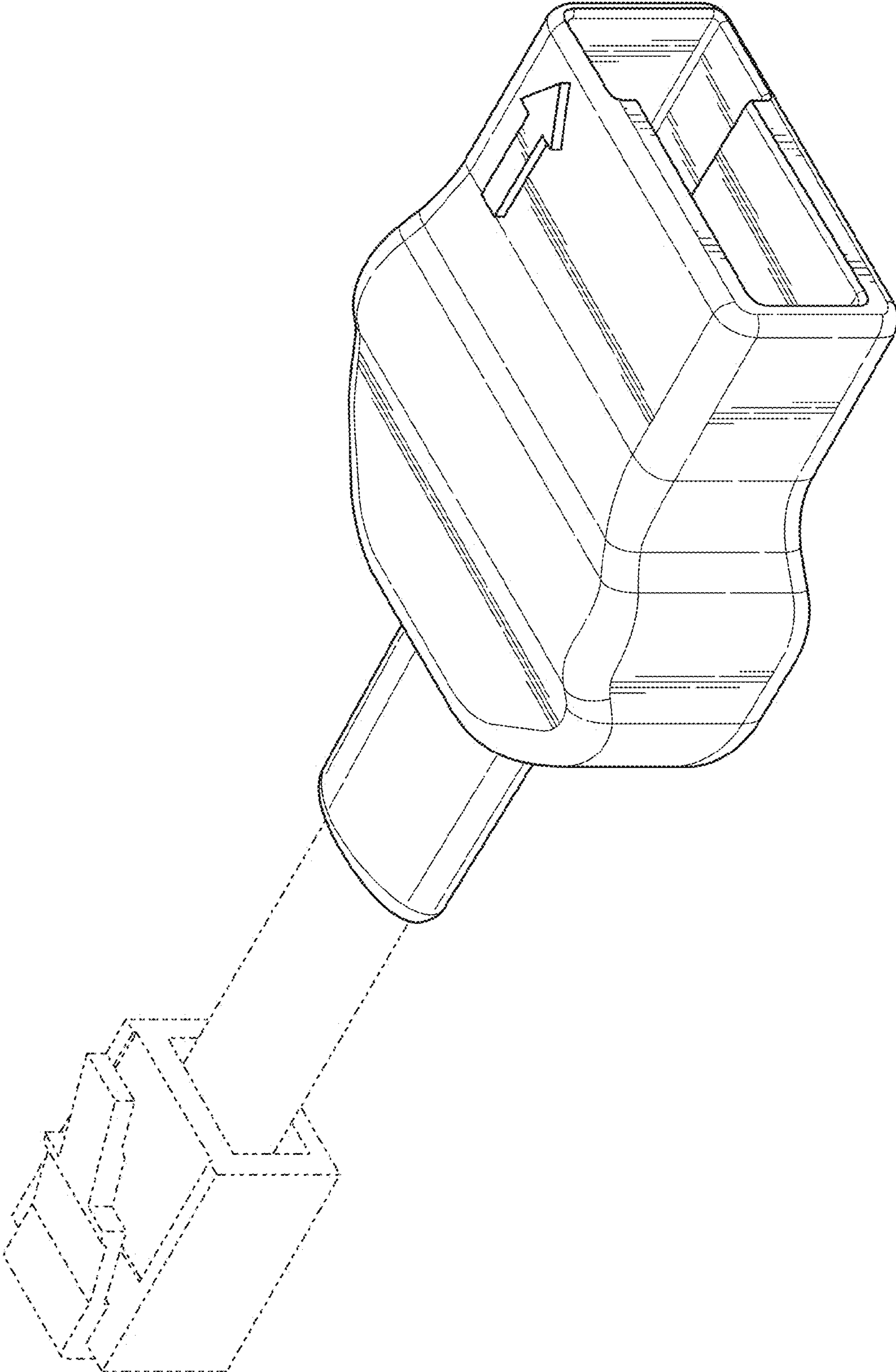


FIG. 1

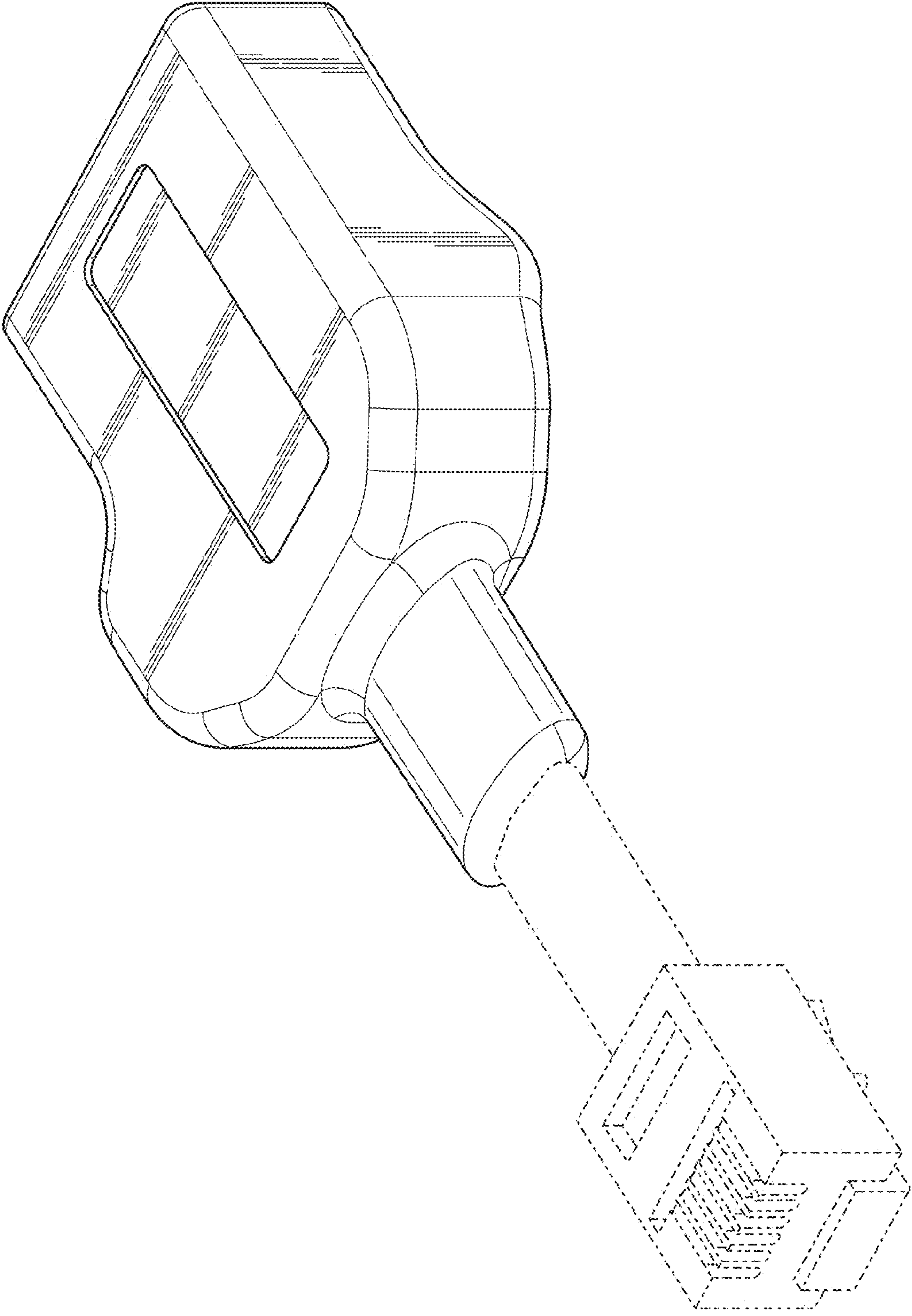


FIG. 2

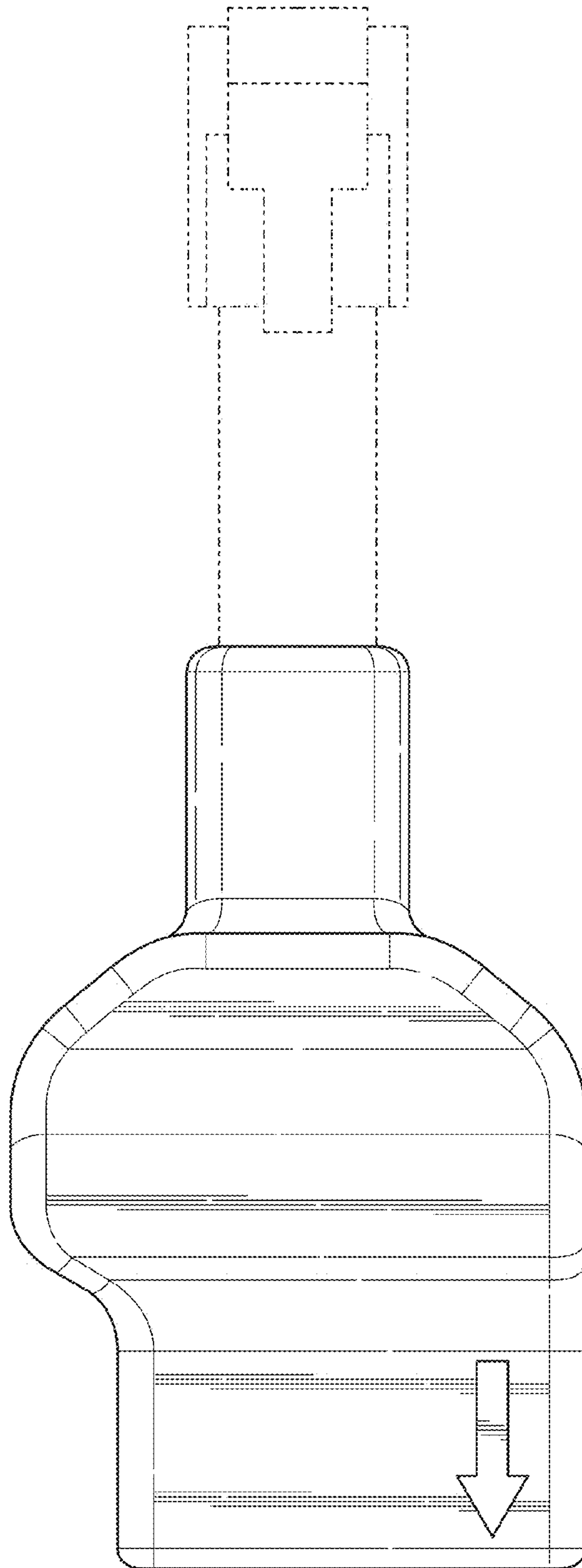


FIG. 3

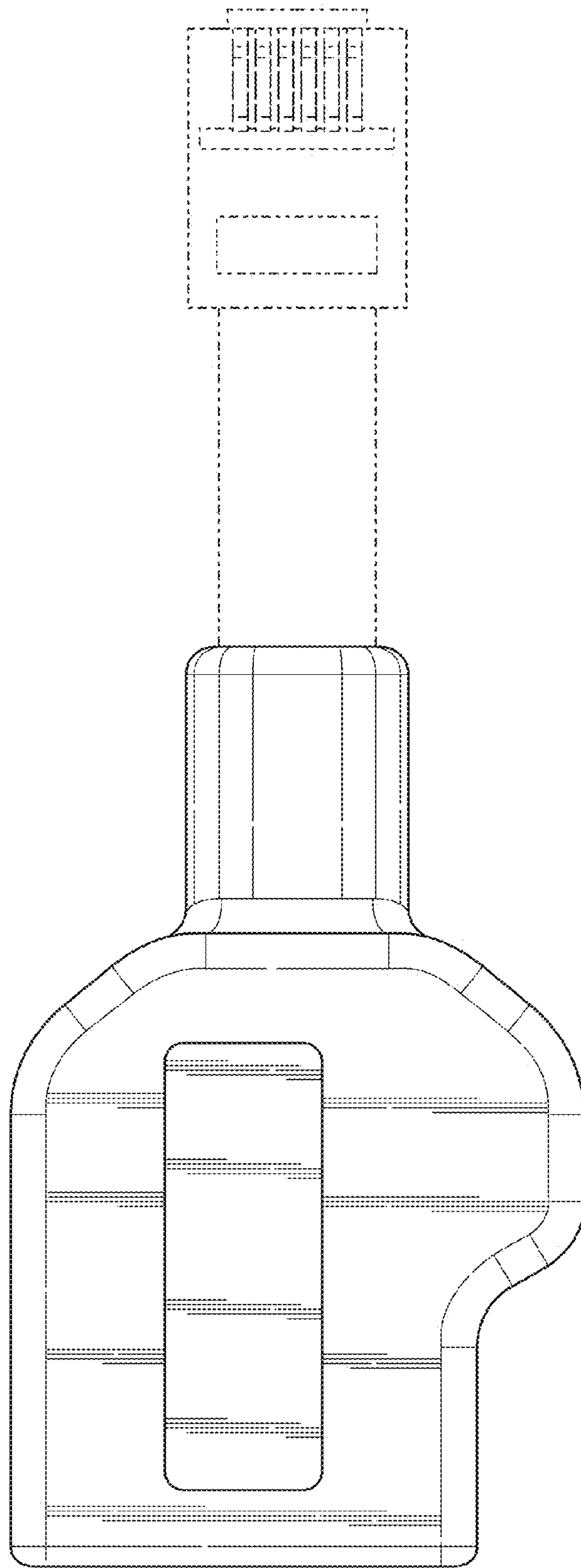


FIG. 4

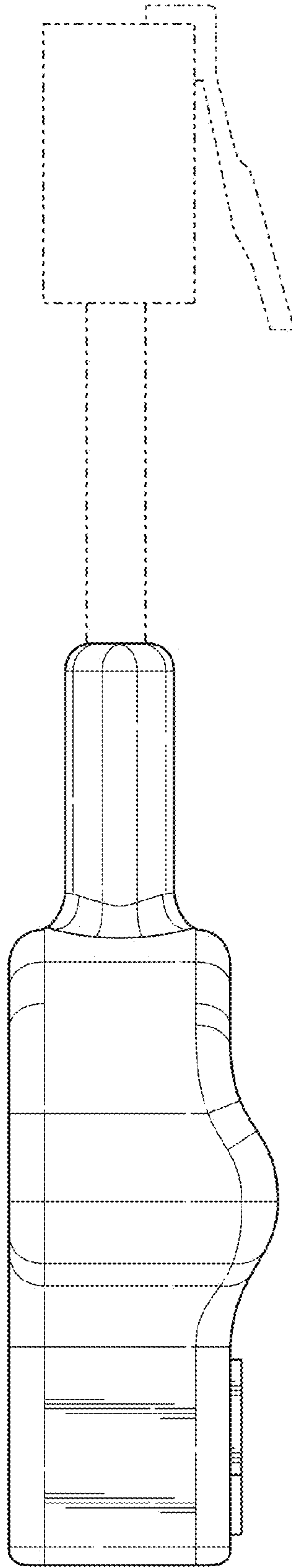


FIG. 5

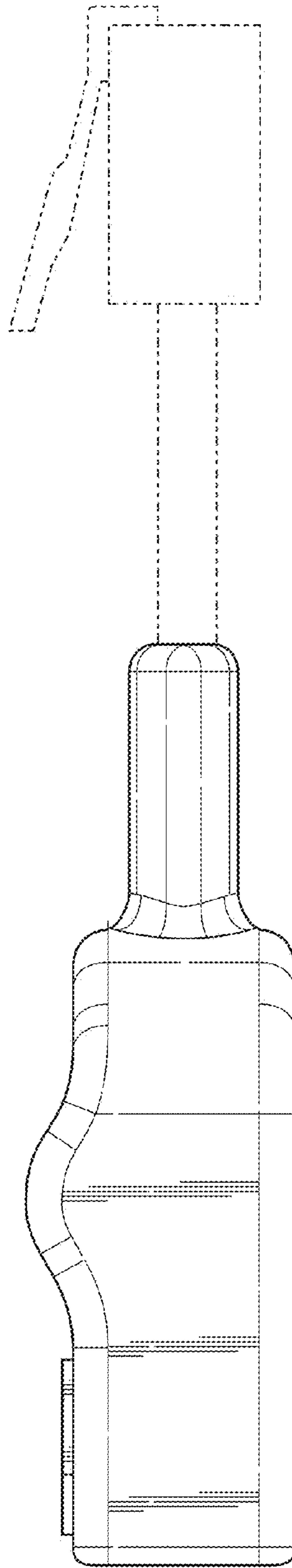


FIG. 6

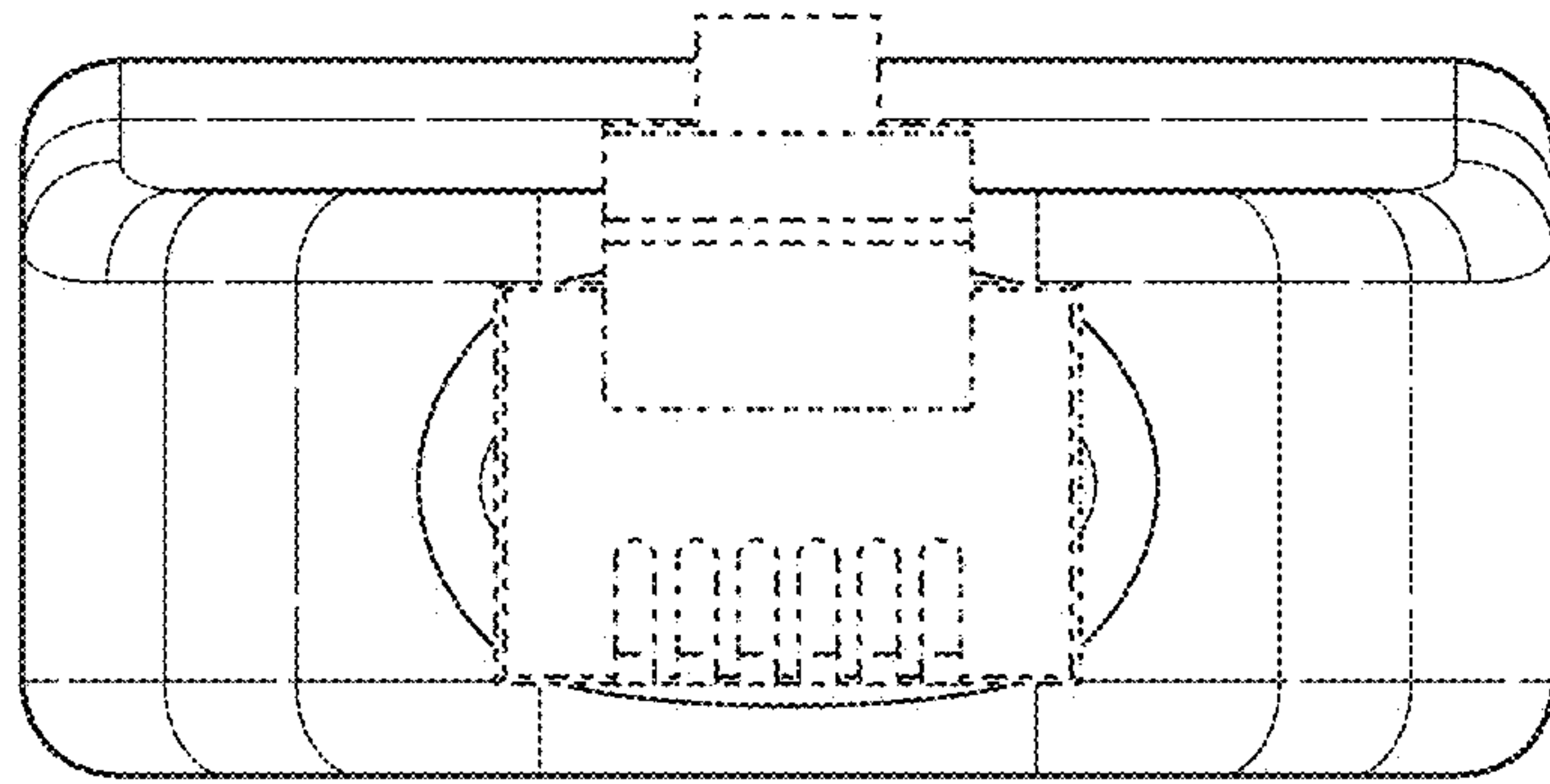


FIG. 7

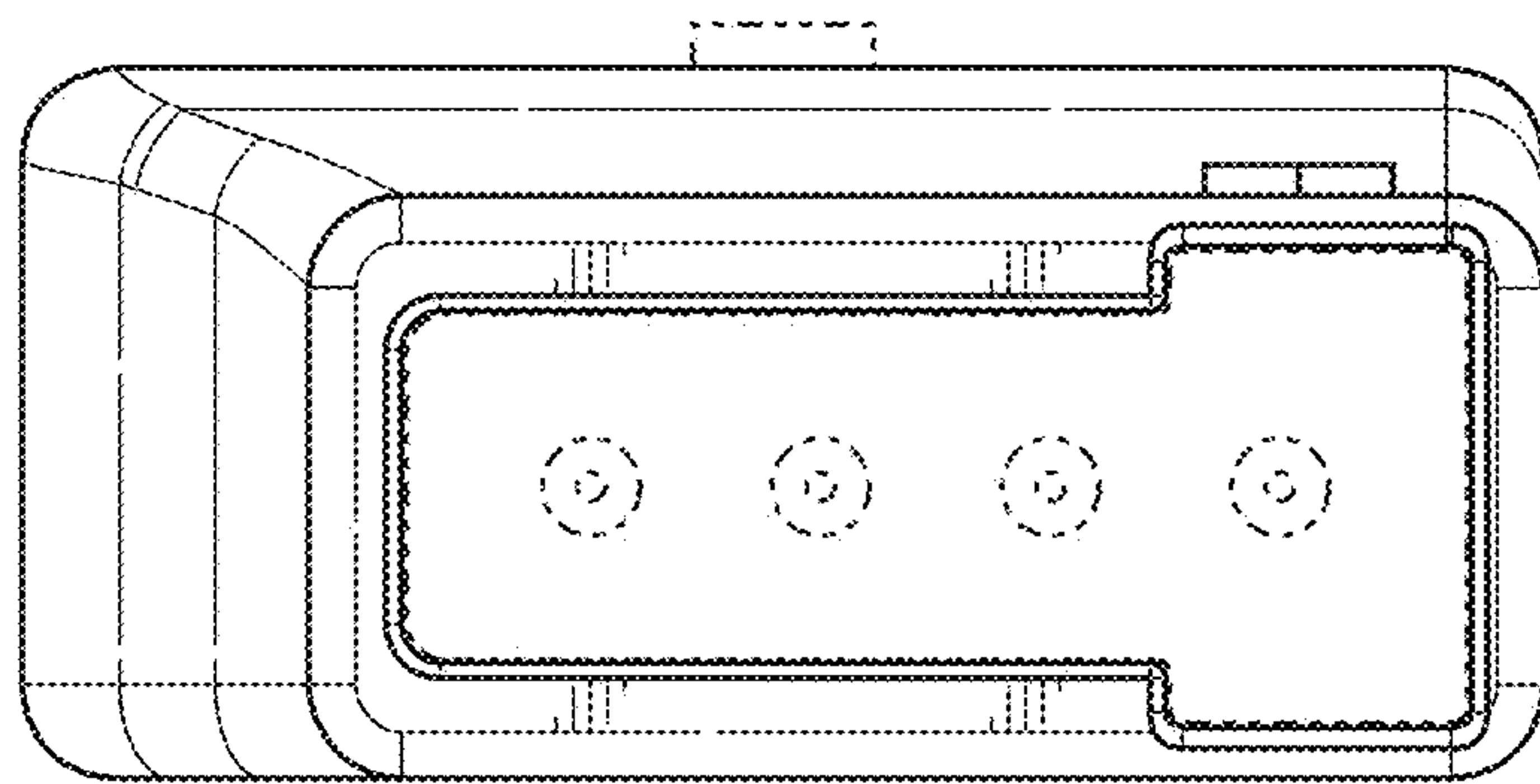


FIG. 8