



US00D741809S

(12) **United States Design Patent**  
**Yoon et al.**

(10) **Patent No.:** **US D741,809 S**  
(45) **Date of Patent:** **\*\* Oct. 27, 2015**

(54) **CONNECTOR**

(71) Applicant: **Samsung Electronics Co., Ltd.**,  
Suwon-si (KR)  
(72) Inventors: **Ju-Seok Yoon**, Suwon-si (KR); **Ji-Eun Shin**, Seoul (KR); **Kyeong-Jae Lee**,  
Seoul (KR); **Sang-Soo Lee**, Seoul (KR)  
(73) Assignee: **Samsung Electronics Co., Ltd.**,  
Suwon-si (KR)

(\*\*) Term: **14 Years**

(21) Appl. No.: **29/480,207**

(22) Filed: **Jan. 24, 2014**

(30) **Foreign Application Priority Data**

Jul. 25, 2013 (KR) ..... 30-2013-0038469

(51) **LOC (10) Cl.** ..... **13-03**

(52) **U.S. Cl.**  
USPC ..... **D13/147**

(58) **Field of Classification Search**  
USPC ..... D13/133, 147, 153, 154, 184, 199  
See application file for complete search history.

(56) **References Cited**

**U.S. PATENT DOCUMENTS**

D589,446 S \* 3/2009 Dunham ..... D13/133  
D636,342 S \* 4/2011 Sasaki et al. .... D13/147  
D636,734 S \* 4/2011 Hsieh et al. .... D13/147  
D654,438 S \* 2/2012 Sasaki et al. .... D13/147

D675,991 S \* 2/2013 Sasada et al. .... D13/147  
D679,249 S \* 4/2013 Choi et al. .... D13/147  
D704,140 S \* 5/2014 Little et al. .... D13/147  
2011/0124225 A1\* 5/2011 Zhou ..... 439/607.01  
2011/0124238 A1\* 5/2011 Zhou et al. .... 439/676  
2014/0335729 A1\* 11/2014 Little et al. .... 439/607.53

\* cited by examiner

*Primary Examiner* — Daniel Bui

(74) *Attorney, Agent, or Firm* — NSIP Law

(57) **CLAIM**

The ornamental design for a connector, as shown and described.

**DESCRIPTION**

FIG. 1 is a top, front and left side perspective view of a connector showing our new design;  
FIG. 2 is a front elevation view thereof;  
FIG. 3 is a rear elevation view thereof;  
FIG. 4 is a left-side elevation view thereof;  
FIG. 5 is a right-side elevation view thereof;  
FIG. 6 is a top plan view thereof;  
FIG. 7 is a bottom plan view thereof;  
FIG. 8 is a top, front and left side perspective view thereof, shown with unclaimed environment;  
FIG. 9 is another top, front and left side perspective view thereof, shown with unclaimed environment and in use condition; and,  
FIG. 10 is a front elevation view thereof on a larger scale.  
The broken line in the drawing views represent unclaimed environment only, and forms no part of the claimed design.

**1 Claim, 7 Drawing Sheets**

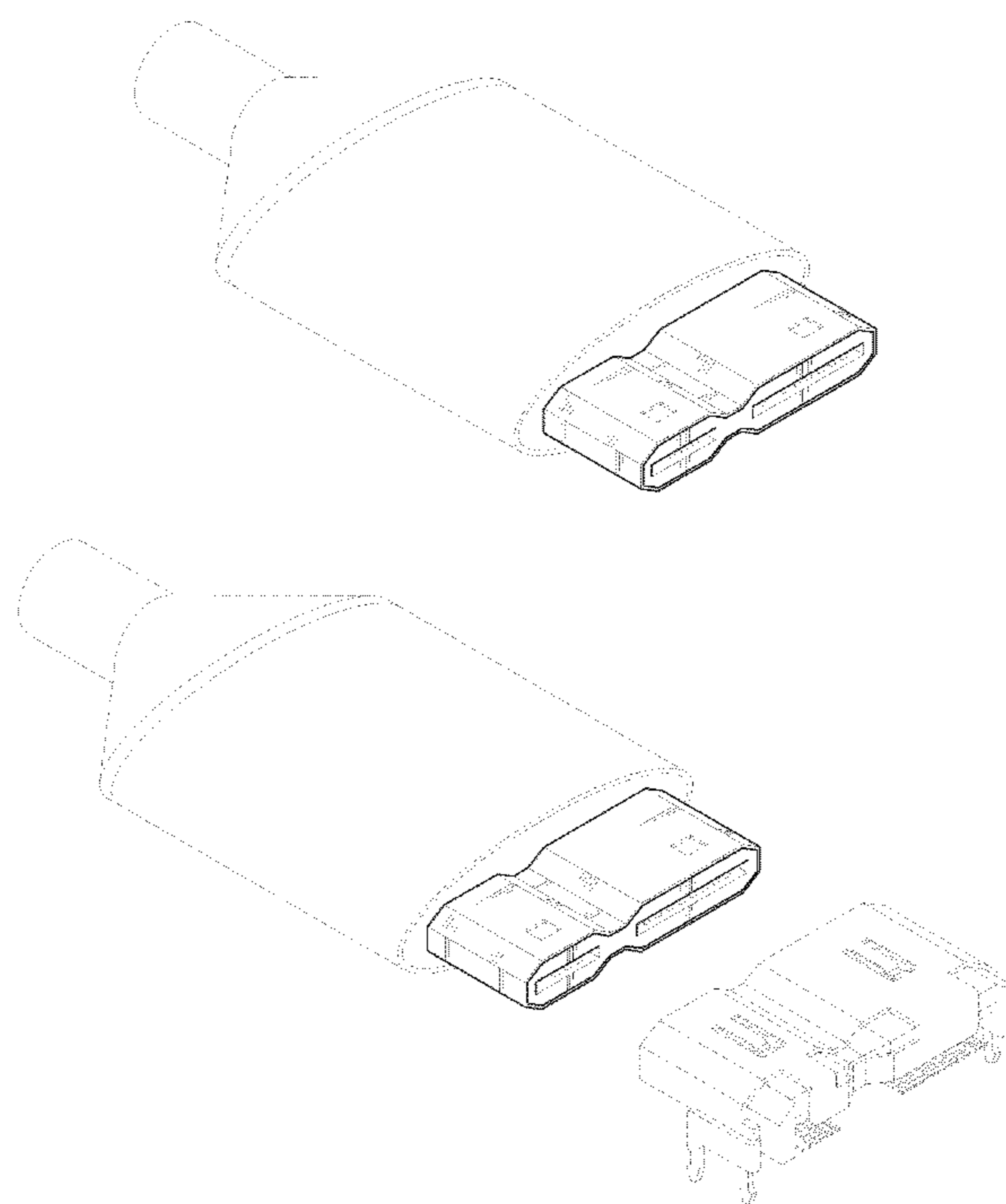


FIG. 1

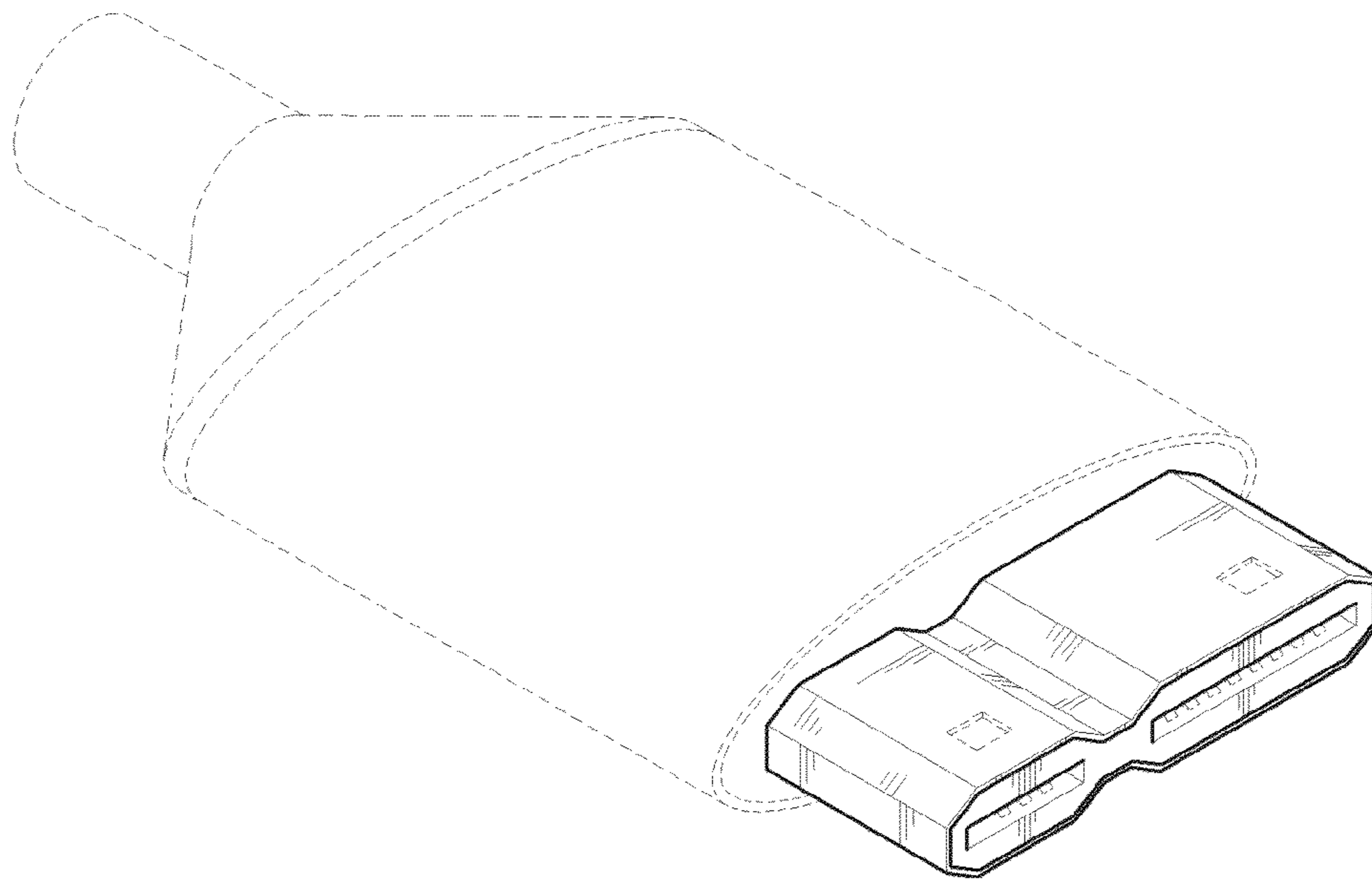


FIG. 2

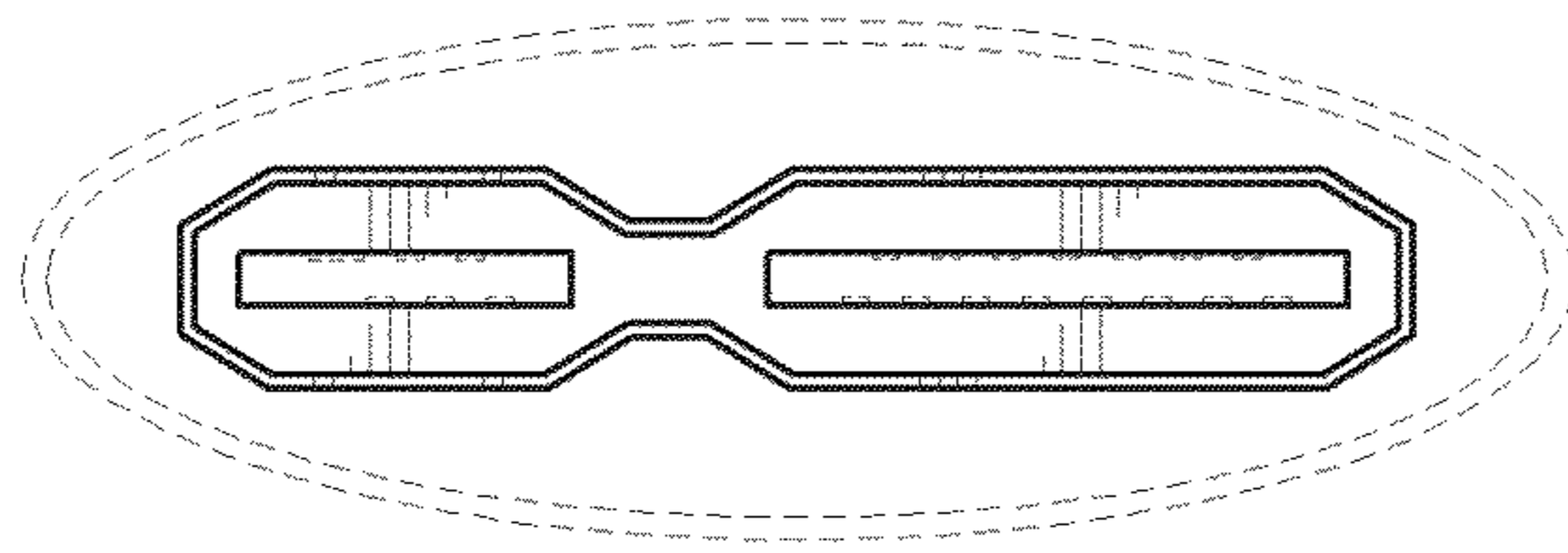


FIG. 3

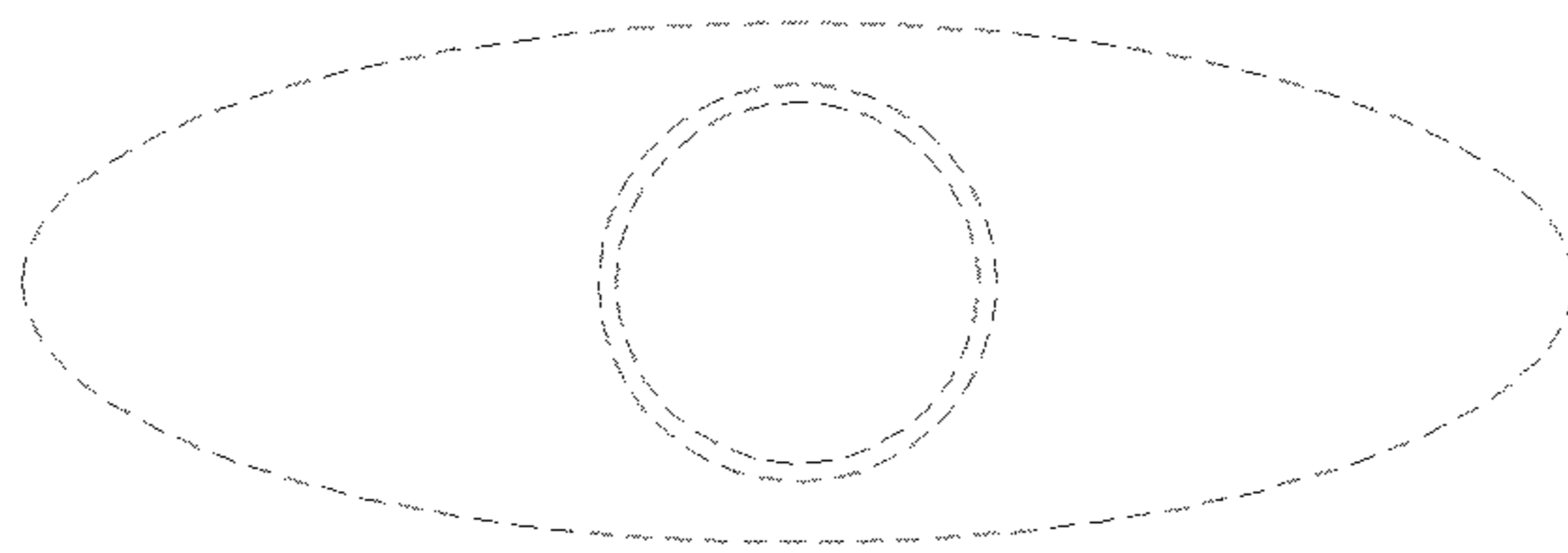


FIG. 4



FIG. 5



FIG. 6

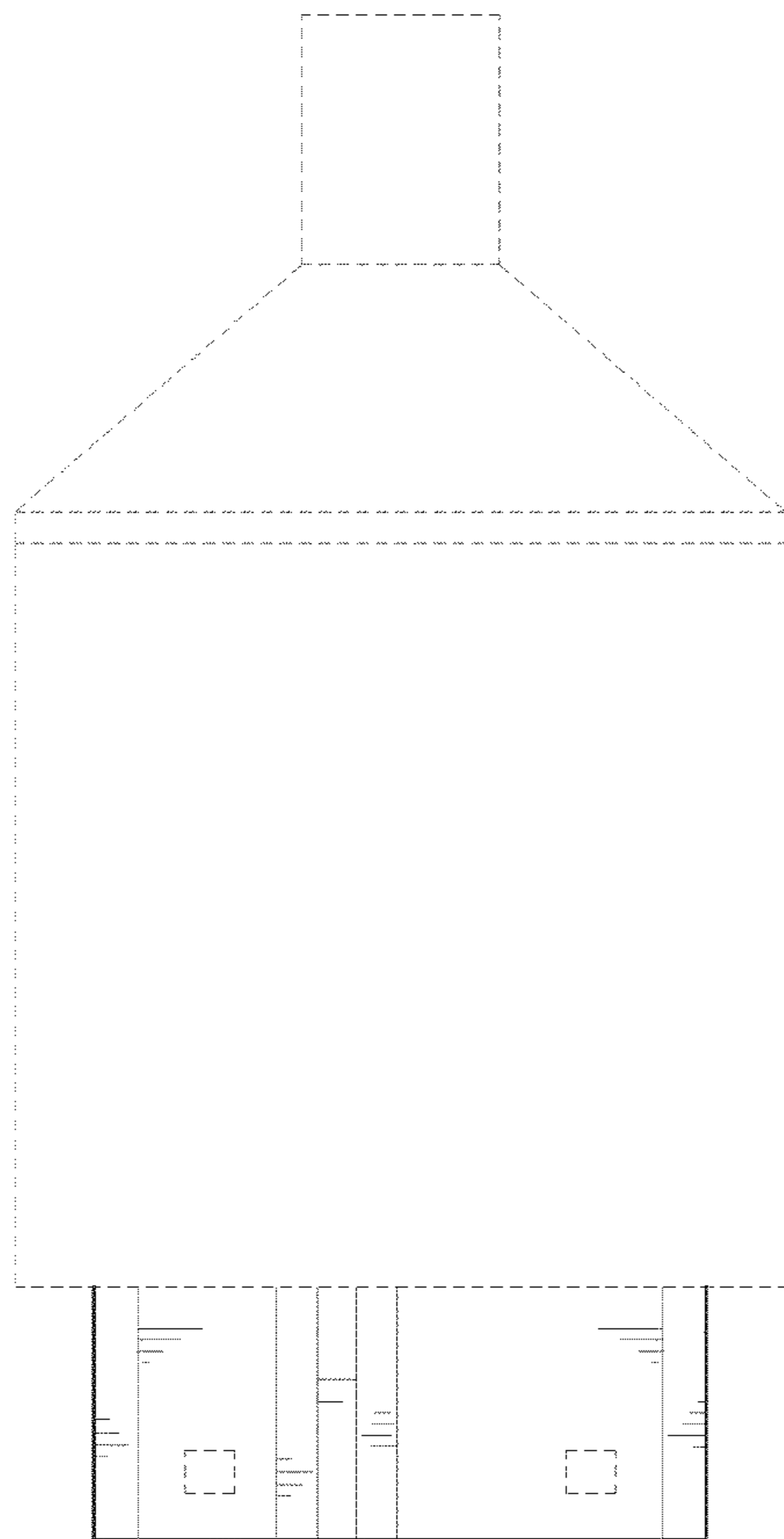


FIG. 7

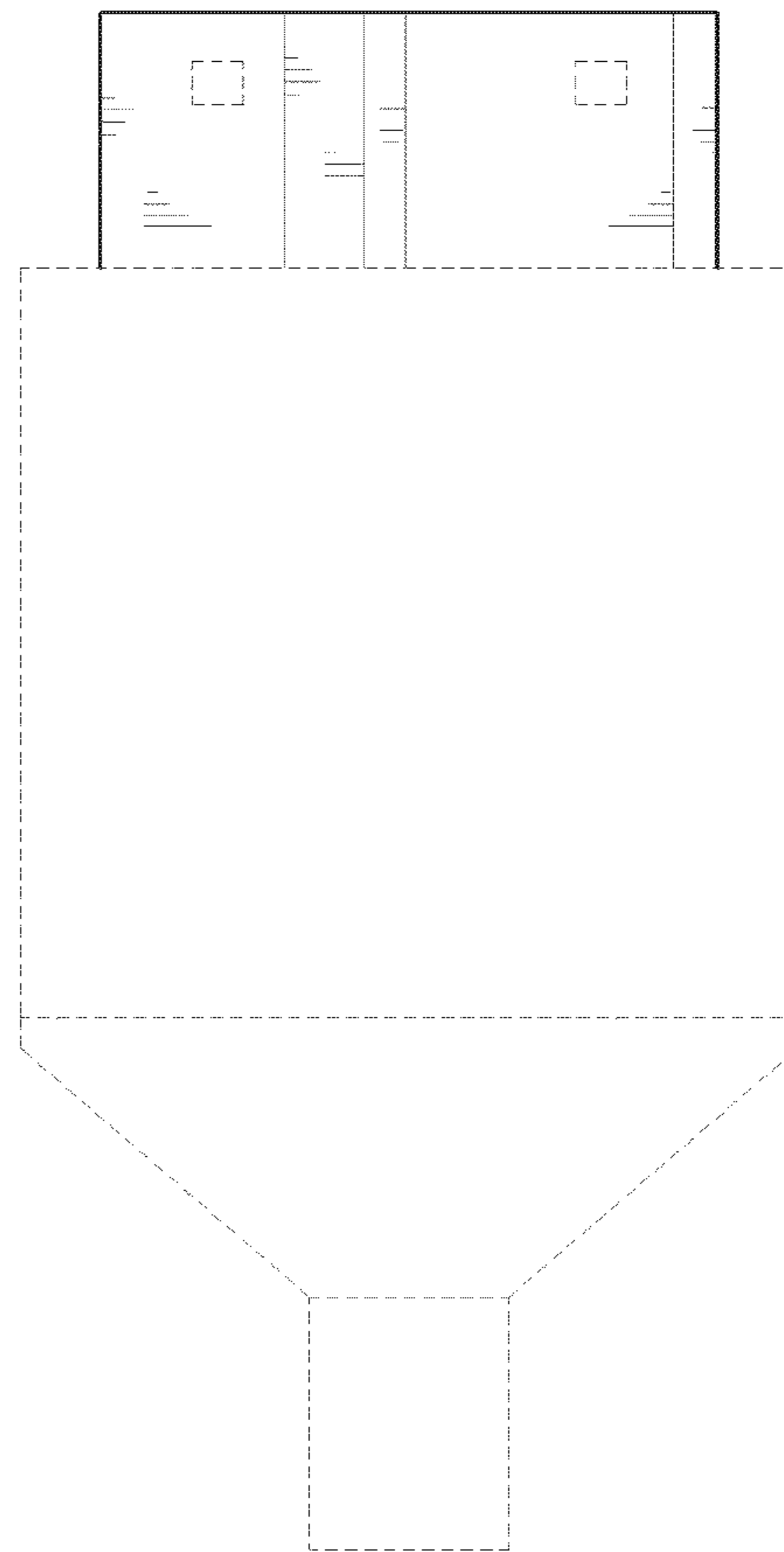


FIG. 8

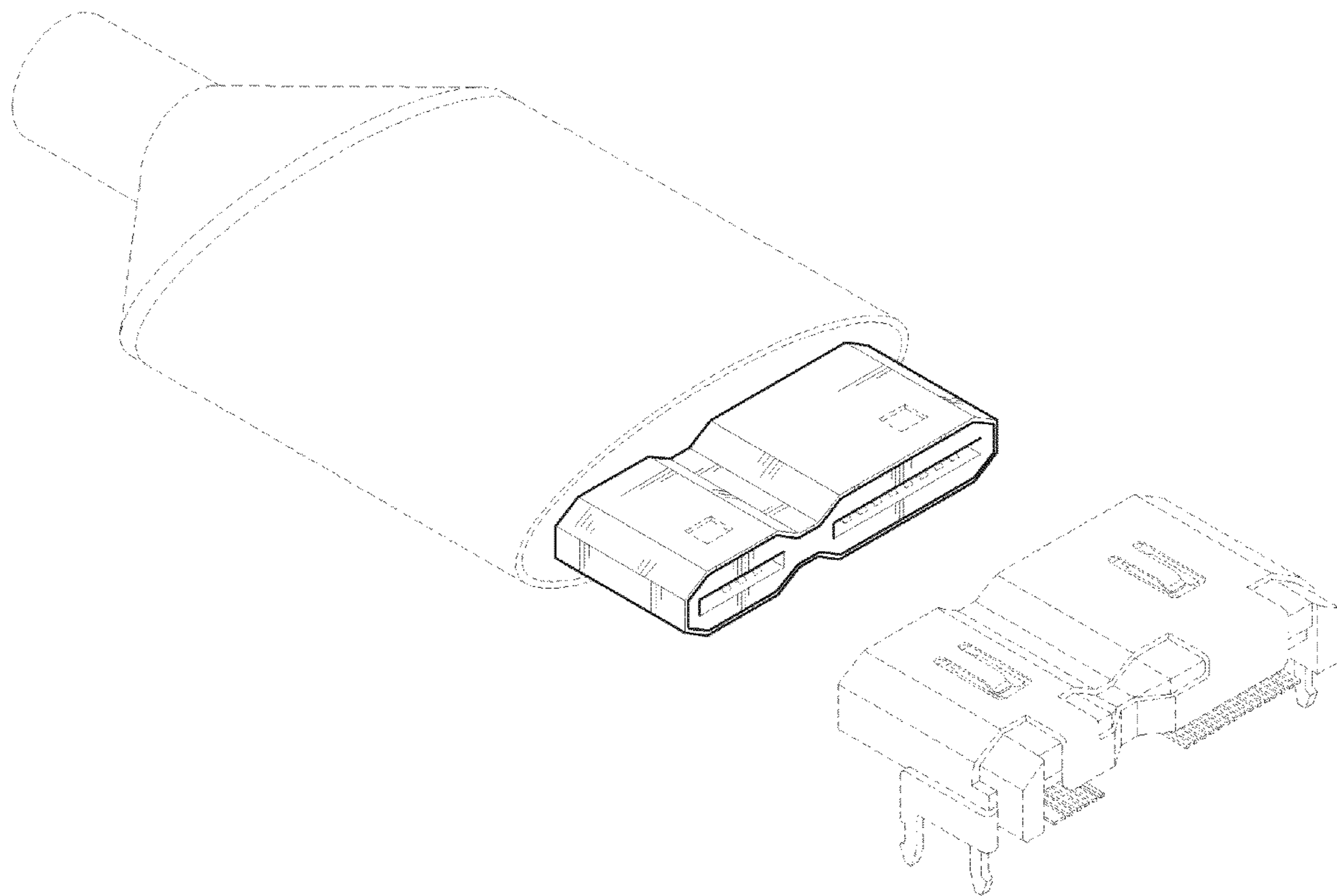


FIG. 9

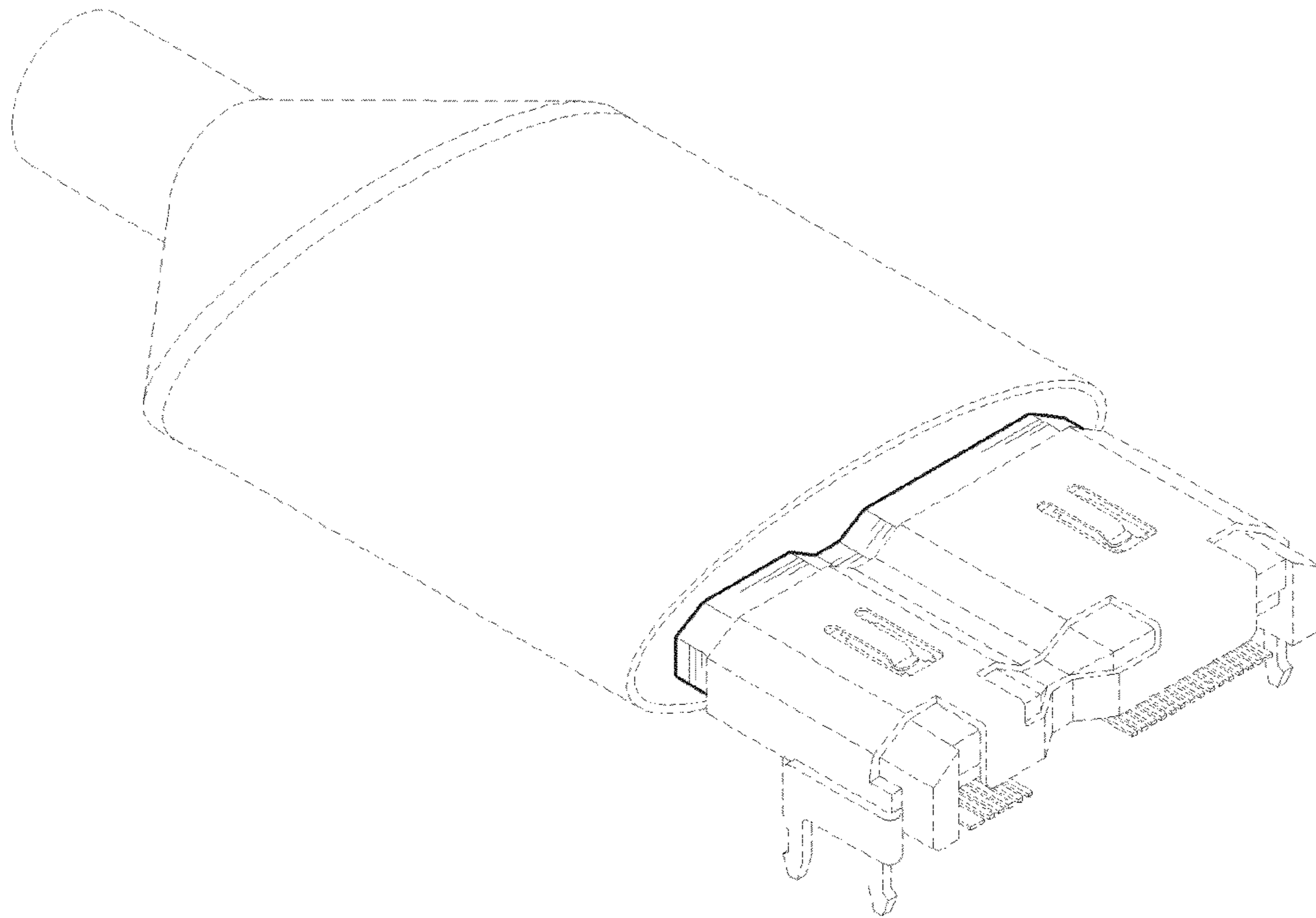


FIG. 10

