



US00D741808S

(12) **United States Design Patent**
Shim

(10) **Patent No.:** **US D741,808 S**

(45) **Date of Patent:** **** Oct. 27, 2015**

(54) **CONNECTOR FOR DATA TRANSMISSION**

D613,249 S * 4/2010 Nagata et al. D13/147
D683,703 S * 6/2013 Akana et al. D13/147
D704,139 S * 5/2014 Yamamoto D13/147

(71) Applicant: **Samsung Electronics Co., Ltd.**,
Suwon-si, Gyeonggi-do (KR)

* cited by examiner

(72) Inventor: **Hyung-sup Shim**, Seoul (KR)

Primary Examiner — Daniel Bui

(73) Assignee: **Samsung Electronics Co., Ltd.**,
Suwon-si (KR)

(74) *Attorney, Agent, or Firm* — Ellsworth IP Group PLLC

(**) Term: **14 Years**

(57) **CLAIM**

I claim the ornamental design for a connector for data transmission, as shown and described.

(21) Appl. No.: **29/473,231**

DESCRIPTION

(22) Filed: **Nov. 20, 2013**

FIG. 1 is a perspective view of the connector for data transmission showing my new design;

(30) **Foreign Application Priority Data**

FIG. 2 is a front elevational view thereof;

Sep. 9, 2013 (KR) 30-2013-0046425

FIG. 3 is a rear elevational view thereof;

(51) **LOC (10) Cl.** **13-03**

FIG. 4 is a left side elevational view thereof;

(52) **U.S. Cl.**

FIG. 5 is a right side elevational view thereof;

USPC **D13/147**

FIG. 6 is a top plan view thereof; and,

(58) **Field of Classification Search**

USPC D13/147, 153, 154, 184, 199

FIG. 7 is a bottom plan view thereof.

See application file for complete search history.

The present design relates to a connector for data transmission, wherein the connector for data transmission can connect SSD (solid state drive) which has a SATA Connector to USB ports.

(56) **References Cited**

The line part which connects both ends is capable of bending as needed.

U.S. PATENT DOCUMENTS

The broken lines in FIG. 5 represent unclaimed environment only and form no part of the claimed design.

D588,545 S * 3/2009 Andre et al. D13/154

D599,740 S * 9/2009 Guccione et al. D13/147

1 Claim, 4 Drawing Sheets

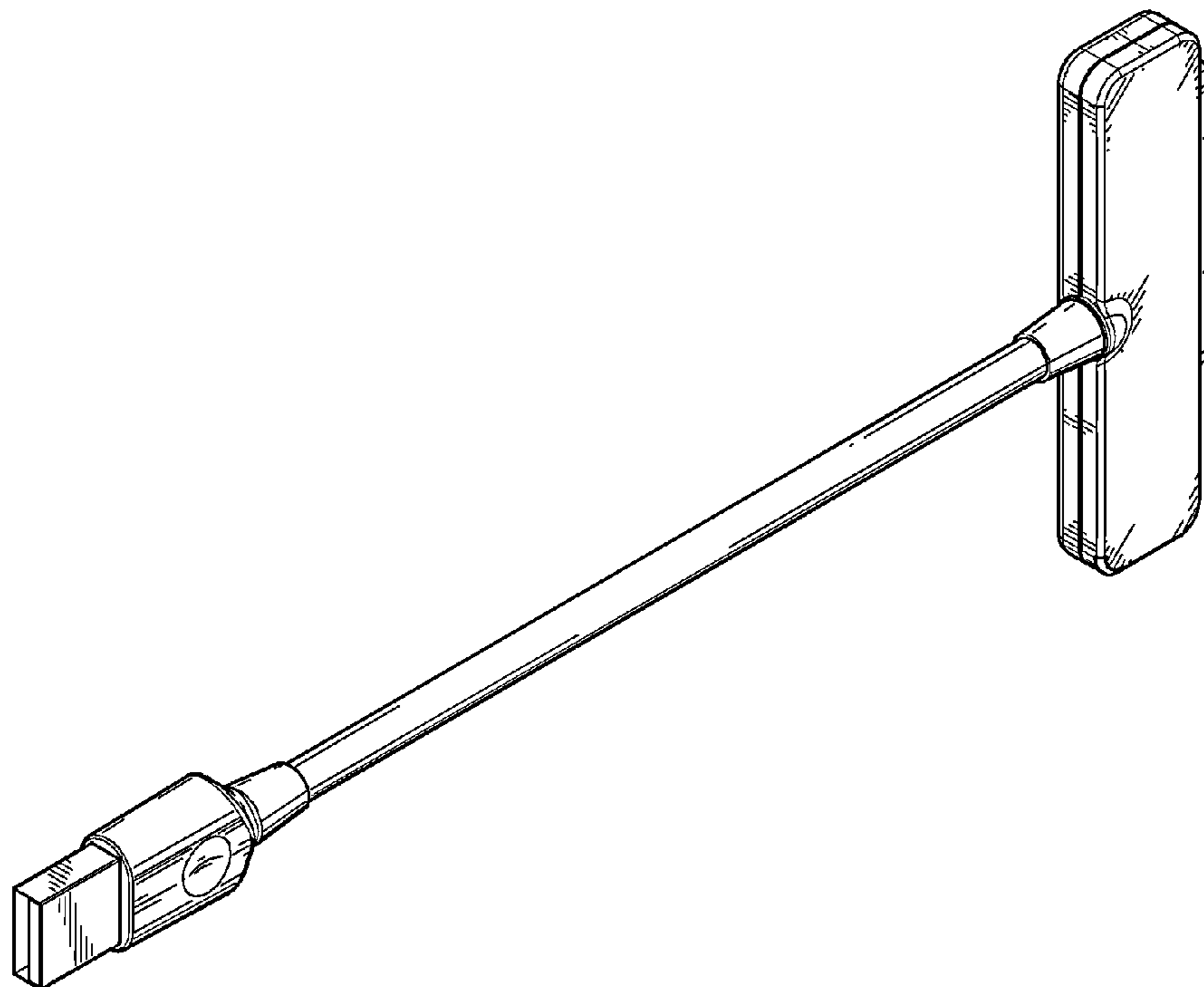


FIG. 1

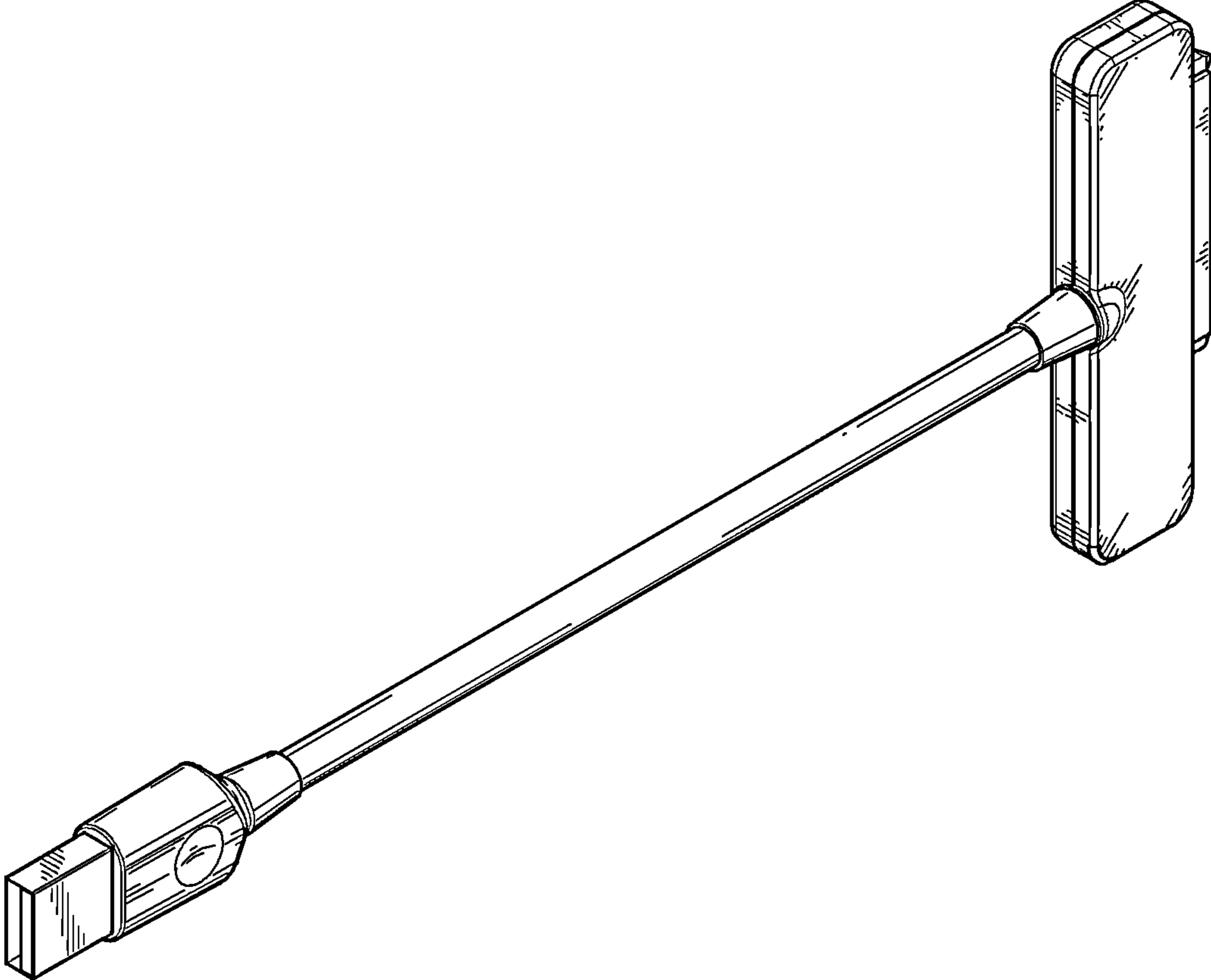


FIG. 2

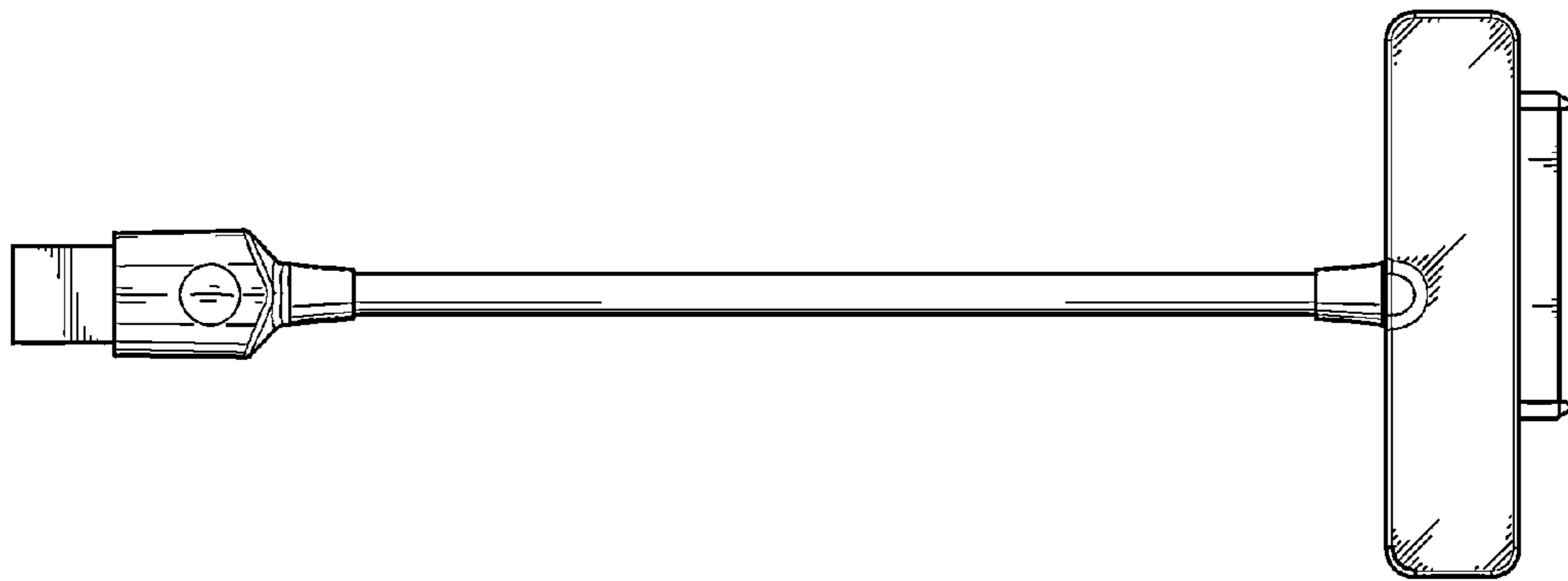


FIG. 3

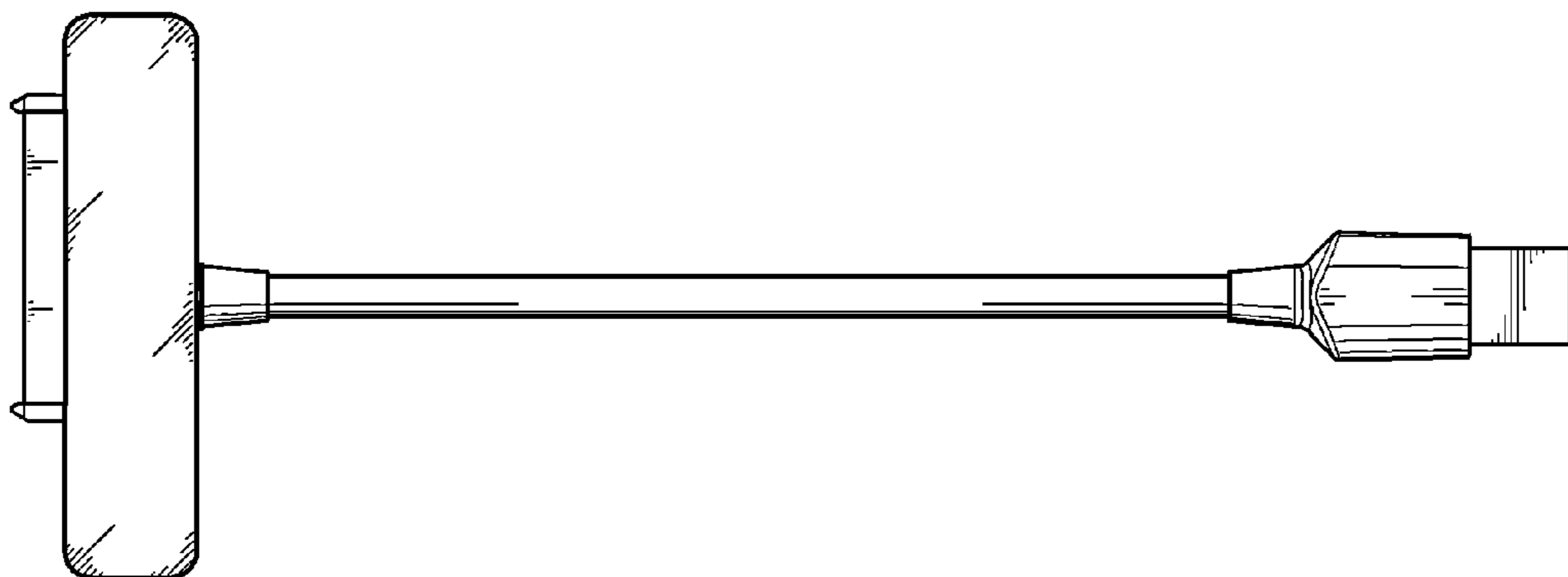


FIG. 4



FIG. 5



FIG. 6

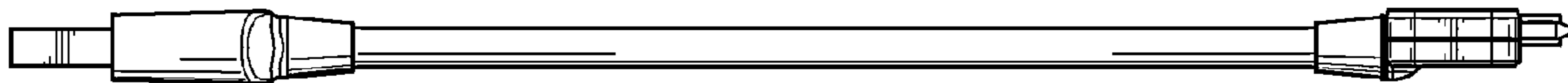


FIG. 7

