



US00D741806S

(12) **United States Design Patent**  
**Davidson, Jr.**

(10) **Patent No.:** **US D741,806 S**  
(45) **Date of Patent:** **\*\* Oct. 27, 2015**

- (54) **CRIMP TYPE COAXIAL CONNECTOR**
- (71) Applicant: **Charles Darwin Davidson, Jr.**, Little Rock, AR (US)
- (72) Inventor: **Charles Darwin Davidson, Jr.**, Little Rock, AR (US)
- (73) Assignee: **PerfectVision Manufacturing, Inc.**, Little Rock, AR (US)
- (\*\*) Term: **14 Years**
- (21) Appl. No.: **29/479,784**
- (22) Filed: **Jan. 20, 2014**
- (51) **LOC (10) Cl.** ..... **13-03**
- (52) **U.S. Cl.**  
USPC ..... **D13/133; D13/149**
- (58) **Field of Classification Search**  
USPC ..... D13/133, 144, 146-149, 15, 151, 153, D13/154, 156, 184, 199  
CPC ..... H01R 9/05; H01R 9/052; H01R 9/0521; H01R 13/46; H01R 13/51; H01R 13/62; H01R 13/65; H01R 24/38; H01R 24/40; H01R 24/54; H01R 2103/00  
See application file for complete search history.

D518,772 S	4/2006	Fox	
D519,076 S	4/2006	Fox	
D519,451 S	4/2006	Fox	
D521,454 S	5/2006	Murphy et al.	
D521,930 S	5/2006	Fox	
D535,259 S	1/2007	Rodrigues et al.	
D544,444 S	* 6/2007	Yamada	D13/147
D566,653 S	* 4/2008	Sakamoto	D13/133
D578,477 S	* 10/2008	Shing et al.	D13/133
D580,356 S	* 11/2008	Shing et al.	D13/133
D601,507 S	10/2009	Rodrigues	
D601,966 S	10/2009	Shaw	
D601,967 S	10/2009	Shaw	
D608,294 S	1/2010	Shaw	
D610,999 S	3/2010	Purdy et al.	
D617,287 S	* 6/2010	Amidon	D13/154
D617,742 S	* 6/2010	Amidon	D13/154
D620,894 S	8/2010	Lutz et al.	
D623,141 S	9/2010	Amidon	
D623,142 S	9/2010	Amidon	
D623,599 S	9/2010	Purdy et al.	
D626,920 S	11/2010	Purdy et al.	
D661,256 S	* 6/2012	Shawgo	D13/151

(Continued)

*Primary Examiner* — Thomas Johannes  
*Assistant Examiner* — Shawn T Gingrich

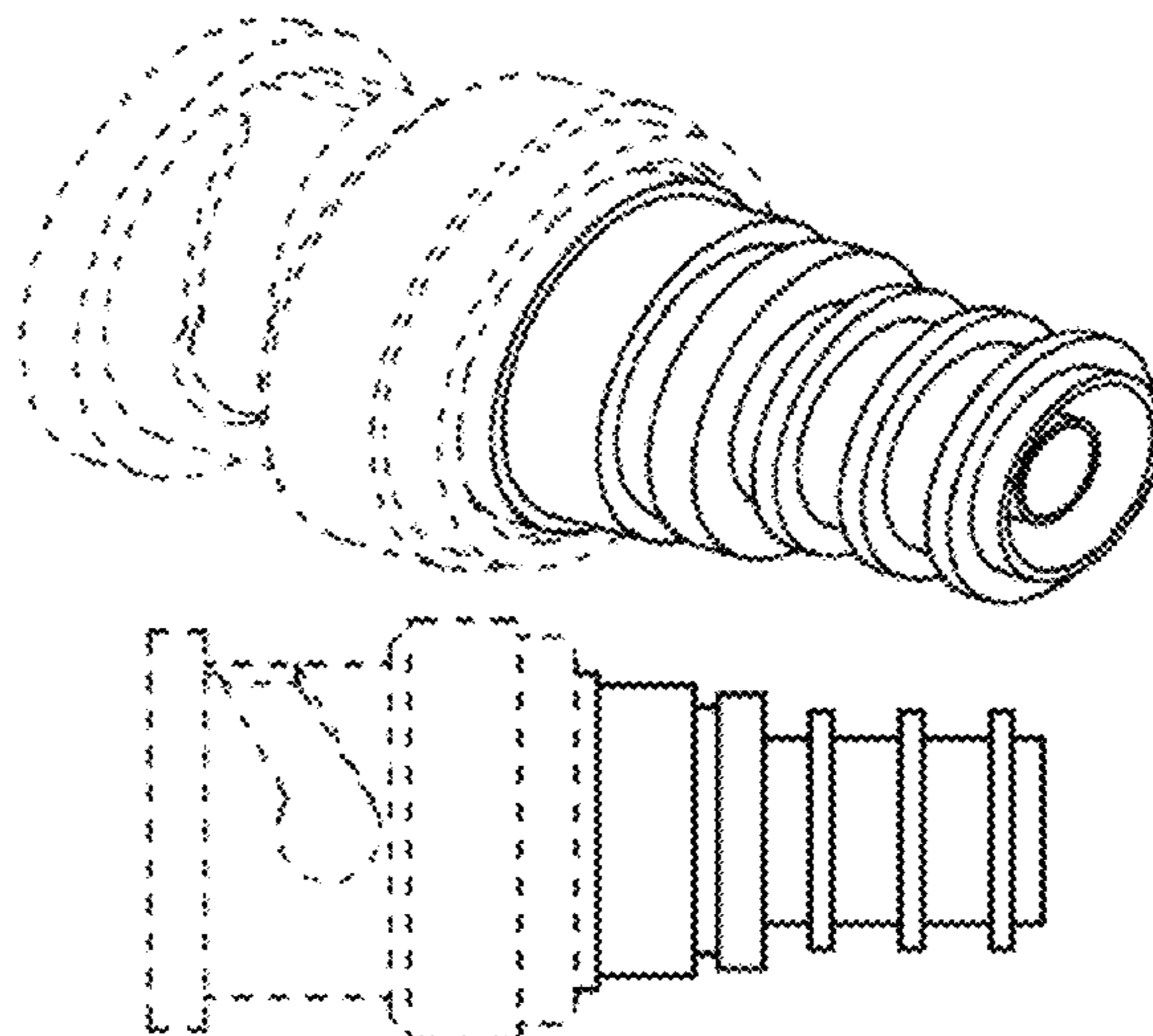
(57) **CLAIM**  
The ornamental design for a crimp type coaxial connector, as shown and described.

**DESCRIPTION**

FIG. 1 is a side perspective view of a crimp type coaxial connector showing the front, top, and left of my new design; FIG. 2 is a side perspective view thereof showing the rear, top and right of my new design; FIG. 3 is a side view thereof; FIG. 4 is a front view thereof; and, FIG. 5 is a rear view thereof. The broken line portions of the figure drawings are included to show unclaimed subject matter only and form no part of the claimed design.

**1 Claim, 1 Drawing Sheet**

- (56) **References Cited**  
U.S. PATENT DOCUMENTS
- 5,195,910 A \* 3/1993 Enomoto et al. .... 439/578
- D366,862 S \* 2/1996 Lee ..... D13/133
- D407,378 S \* 3/1999 Lee ..... D13/156
- D436,076 S 1/2001 Montena
- D437,826 S 2/2001 Montena
- D504,664 S \* 5/2005 Montena ..... D13/154
- D511,497 S 11/2005 Murphy et al.
- D511,498 S 11/2005 Holliday
- D512,024 S 11/2005 Murphy et al.
- 6,960,101 B1 \* 11/2005 Chen ..... 439/578
- D512,689 S 12/2005 Murphy et al.
- D517,496 S \* 3/2006 Montena ..... D13/151



(56)

**References Cited**

U.S. PATENT DOCUMENTS

D662,062 S *	6/2012	Eriksen et al. ....	D13/151	D686,164 S	7/2013	Haberek et al.	
D662,893 S	7/2012	Haberek et al.		D686,576 S	7/2013	Haberek et al.	
D679,660 S	4/2013	Haberek et al.		2004/0029433 A1 *	2/2004	Lee et al. ....	439/445
D680,963 S	4/2013	Purdy		2011/0117775 A1 *	5/2011	Alrutz .....	439/578
				2011/0312199 A1 *	12/2011	Alrutz et al. ....	439/188
				2013/0164976 A1 *	6/2013	Chastain et al. ....	439/583
				2014/0141646 A1 *	5/2014	Lu .....	439/583

\* cited by examiner

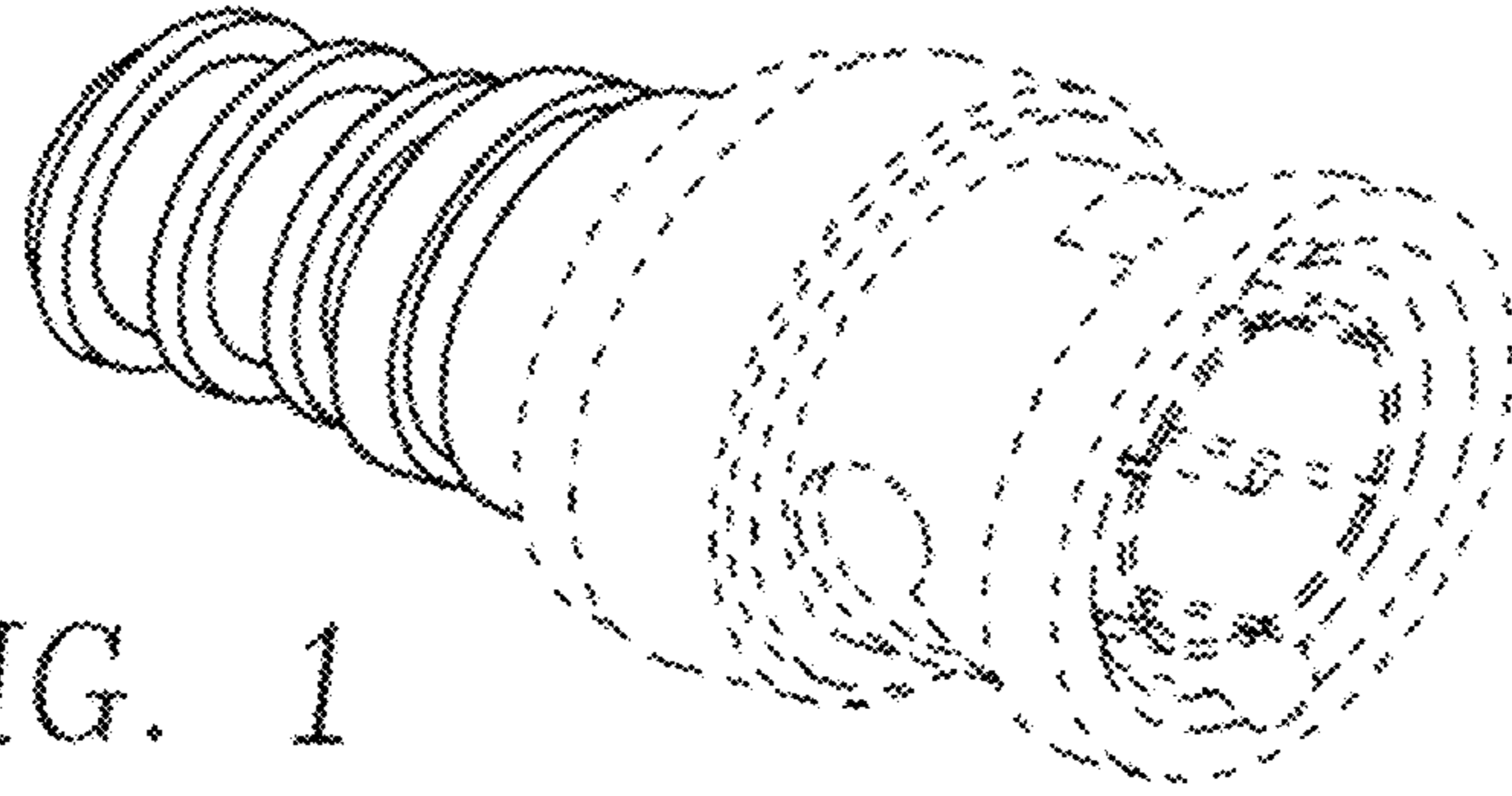


FIG. 1

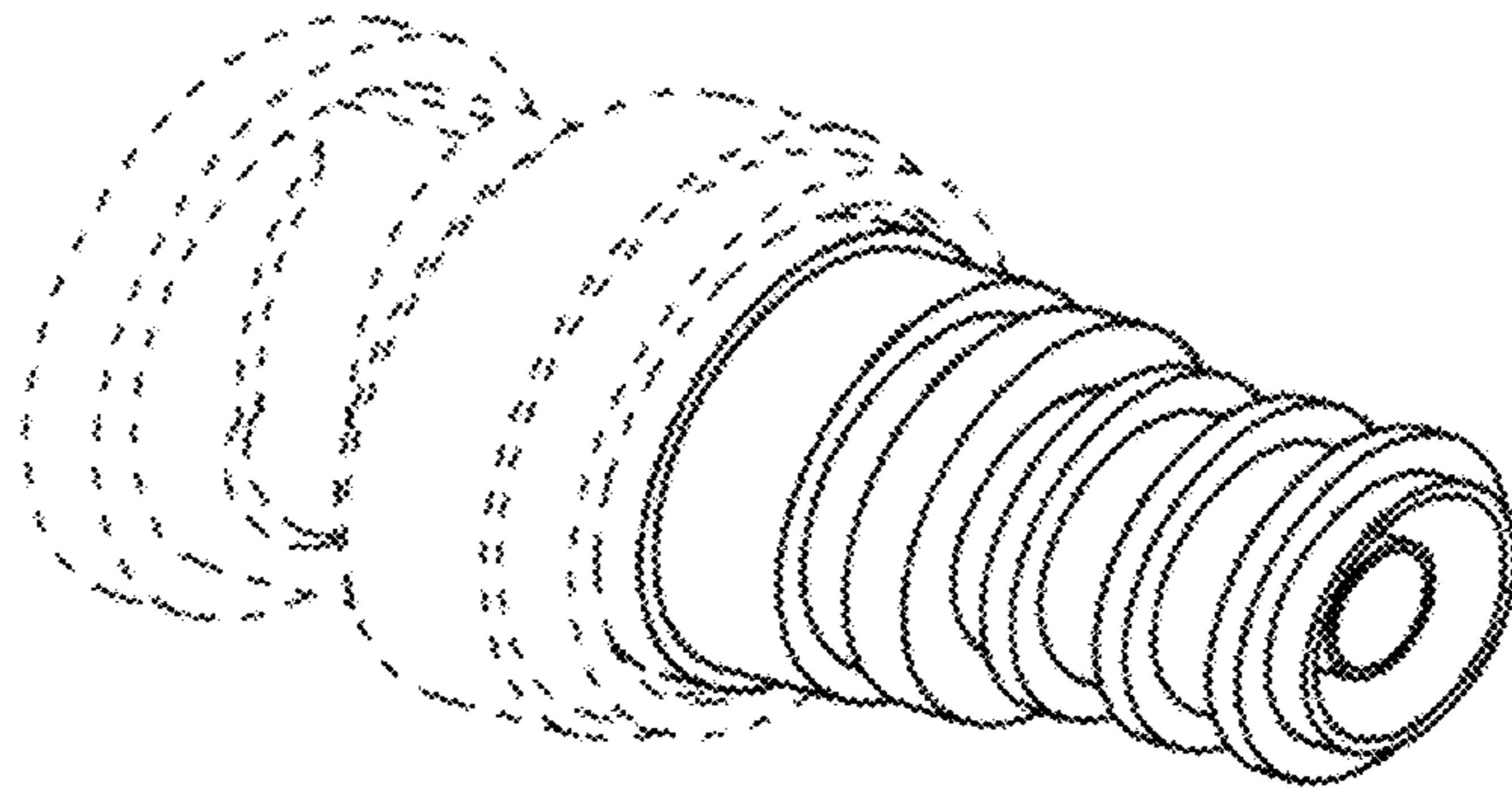


FIG. 2

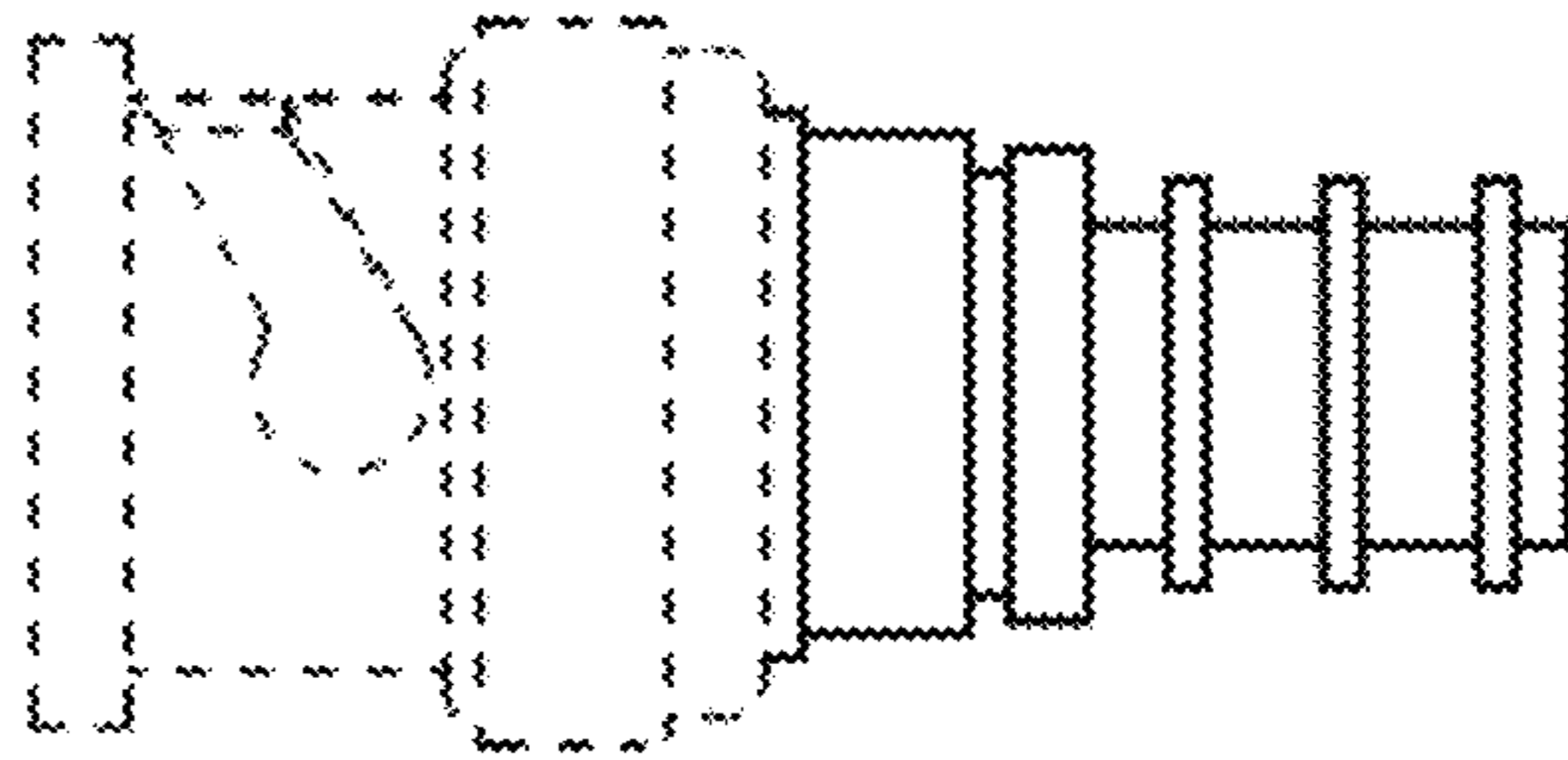


FIG. 3

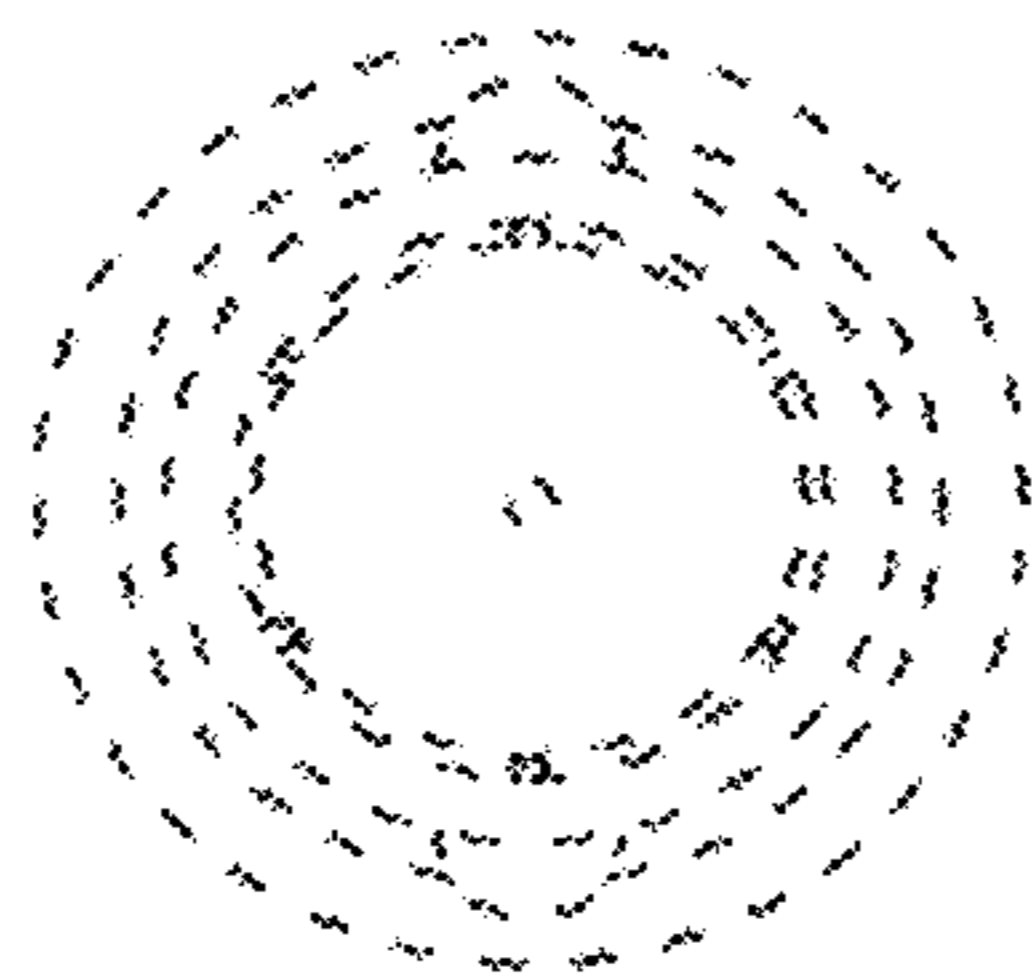


FIG. 4

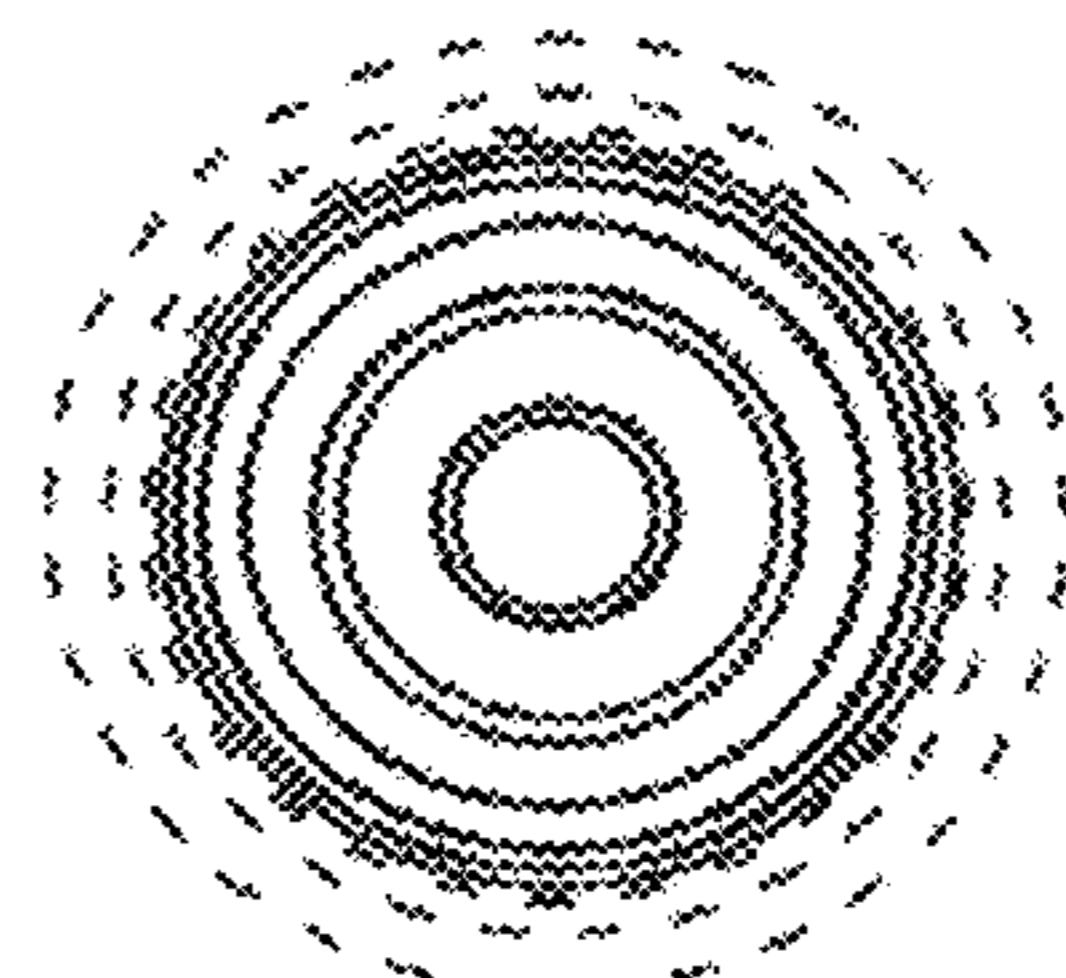


FIG. 5