



US00D741805S

(12) **United States Design Patent**
Davidson, Jr.

(10) **Patent No.:** **US D741,805 S**
(45) **Date of Patent:** **** Oct. 27, 2015**

- (54) **COMPRESSION TYPE COAXIAL CONNECTOR**
- (71) Applicant: **Charles Darwin Davidson, Jr.**, Little Rock, AR (US)
- (72) Inventor: **Charles Darwin Davidson, Jr.**, Little Rock, AR (US)
- (73) Assignee: **PerfectVision Manufacturing, Inc.**, Little Rock, AR (US)
- (**) Term: **14 Years**
- (21) Appl. No.: **29/479,783**
- (22) Filed: **Jan. 20, 2014**
- (51) **LOC (10) Cl.** **13-03**
- (52) **U.S. Cl.**
USPC **D13/133; D13/149**
- (58) **Field of Classification Search**
USPC D13/133, 144, 146-149, 15, 151, 153, D13/154, 156, 184, 199
CPC H01R 9/05; H01R 9/052; H01R 9/0521; H01R 13/46; H01R 13/51; H01R 13/62; H01R 13/65; H01R 24/38; H01R 24/40; H01R 24/54; H01R 2103/00
See application file for complete search history.

- D519,451 S 4/2006 Fox
- D521,454 S 5/2006 Murphy et al.
- D521,930 S 5/2006 Fox
- D530,669 S * 10/2006 Shing D13/133
- D535,259 S 1/2007 Rodrigues et al.
- D544,444 S * 6/2007 Yamada D13/147
- D566,653 S * 4/2008 Sakamoto D13/133
- D578,477 S * 10/2008 Shing et al. D13/133
- D601,507 S 10/2009 Rodrigues
- D601,966 S 10/2009 Shaw
- D601,967 S 10/2009 Shaw
- D607,826 S * 1/2010 Shaw D13/151
- D608,294 S 1/2010 Shaw
- D610,999 S 3/2010 Purdy et al.
- D617,287 S * 6/2010 Amidon D13/154
- D617,742 S * 6/2010 Amidon D13/154
- D620,894 S 8/2010 Lutz et al.
- D623,141 S 9/2010 Amidon
- D623,142 S 9/2010 Amidon
- D623,599 S 9/2010 Purdy et al.
- D626,920 S 11/2010 Purdy et al.
- D661,256 S * 6/2012 Shawgo D13/151

(Continued)

Primary Examiner — Thomas Johannes
Assistant Examiner — Shawn T Gingrich

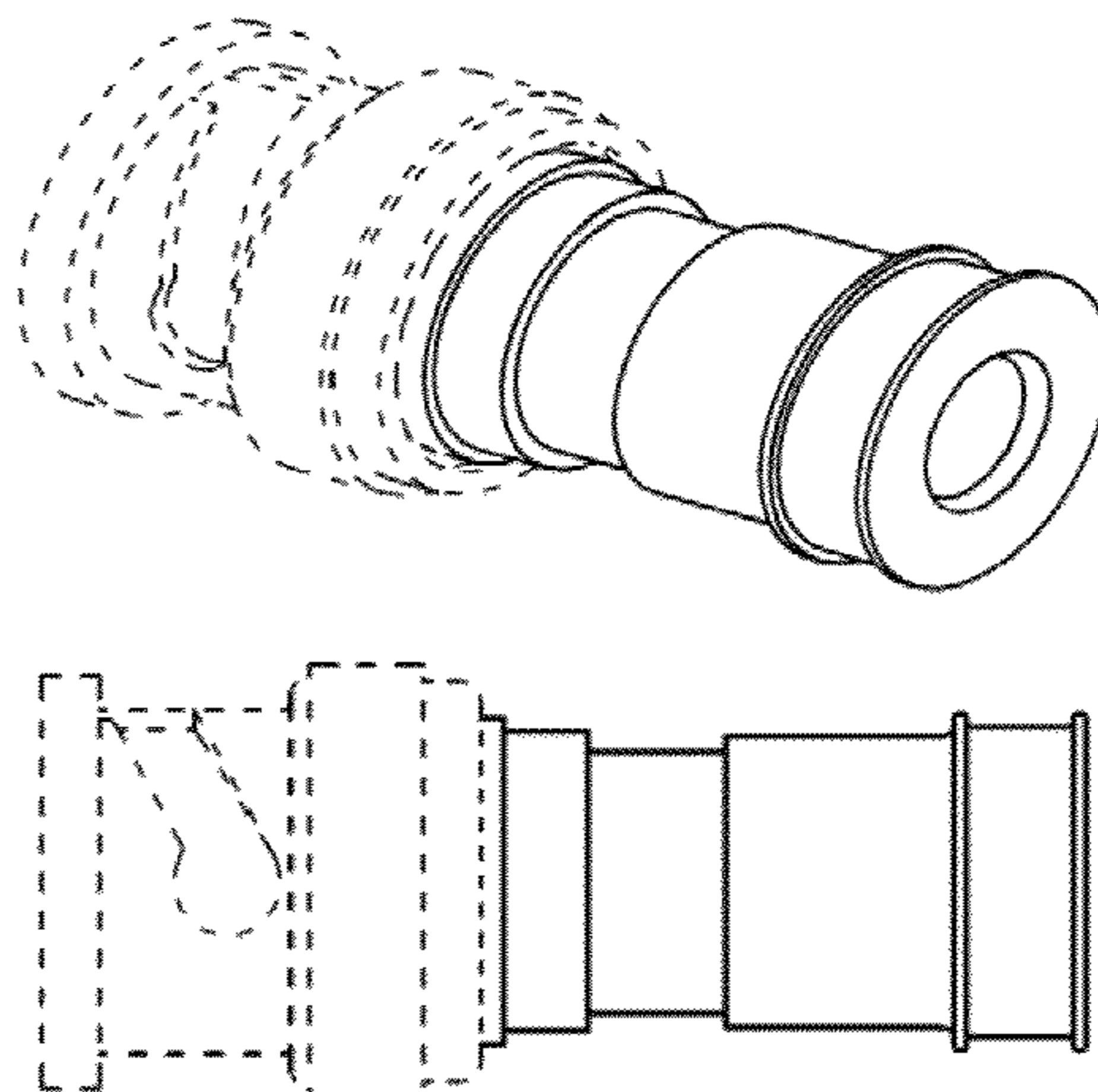
(57) **CLAIM**
The ornamental design for a compression type coaxial connector, as shown and described.

DESCRIPTION

FIG. 1 is a side perspective view of a compression type coaxial connector showing the front, top, and left of my new design;
FIG. 2 is a side perspective view thereof showing the rear, top and right of my new design;
FIG. 3 is a side view thereof;
FIG. 4 is a front view thereof; and,
FIG. 5 is a rear view thereof.
The broken line portions of the figure drawings are included to show unclaimed subject matter only and form no part of the claimed design.

1 Claim, 1 Drawing Sheet

- (56) **References Cited**
U.S. PATENT DOCUMENTS
- 5,195,910 A * 3/1993 Enomoto et al. 439/578
- D436,076 S 1/2001 Montena
- D437,826 S 2/2001 Montena
- D456,363 S * 4/2002 Lee D13/154
- D504,664 S * 5/2005 Montena D13/154
- D511,497 S 11/2005 Murphy et al.
- D511,498 S 11/2005 Holliday
- D512,024 S 11/2005 Murphy et al.
- D512,689 S 12/2005 Murphy et al.
- D517,496 S * 3/2006 Montena D13/151
- D518,772 S 4/2006 Fox
- D519,076 S 4/2006 Fox



(56)

References Cited

U.S. PATENT DOCUMENTS

D662,062 S *	6/2012	Eriksen et al.	D13/151	2011/0111626 A1 *	5/2011	Paglia et al.	439/584
D662,893 S	7/2012	Haberek et al.		2011/0117775 A1 *	5/2011	Alrutz	439/578
D679,660 S	4/2013	Haberek et al.		2011/0312199 A1 *	12/2011	Alrutz et al.	439/188
D680,963 S	4/2013	Purdy		2012/0295464 A1 *	11/2012	Youtsey	439/320
D686,164 S	7/2013	Haberek et al.		2013/0164975 A1 *	6/2013	Blake et al.	439/578
D686,576 S	7/2013	Haberek et al.		2013/0164976 A1 *	6/2013	Chastain et al.	439/583
				2013/0171869 A1 *	7/2013	Chastain et al.	439/583
				2014/0141646 A1 *	5/2014	Lu	439/583

* cited by examiner

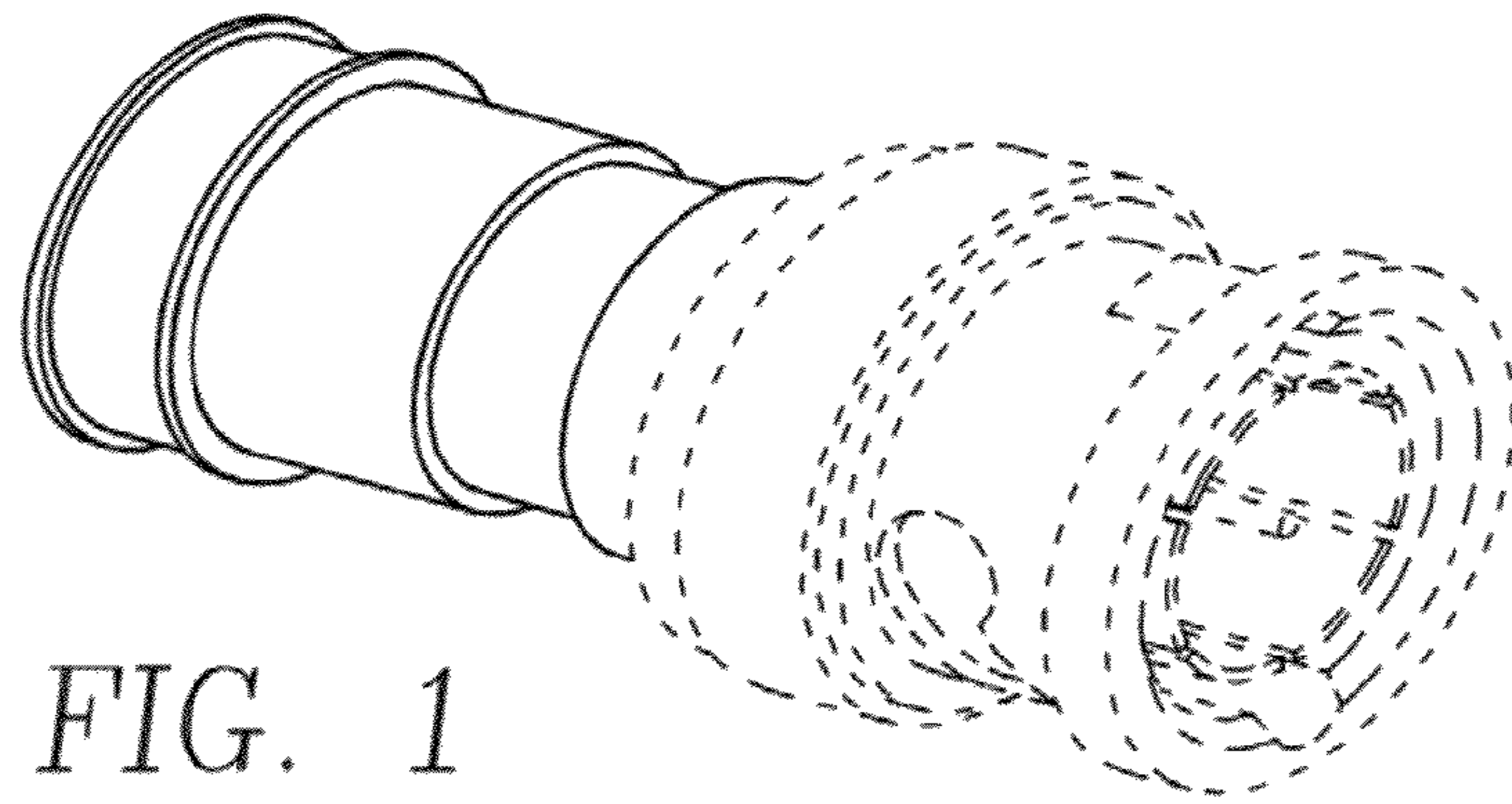


FIG. 1

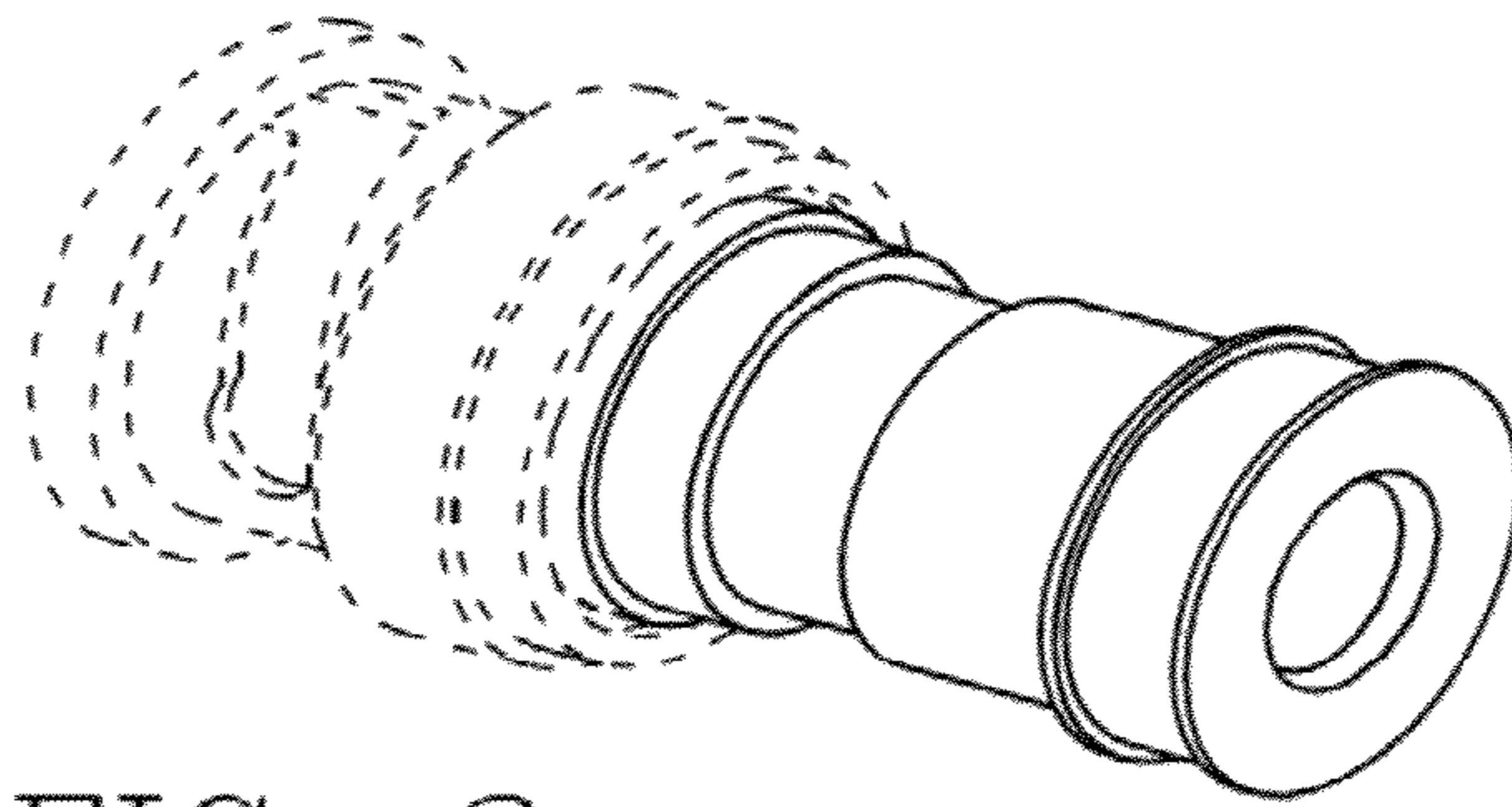


FIG. 2

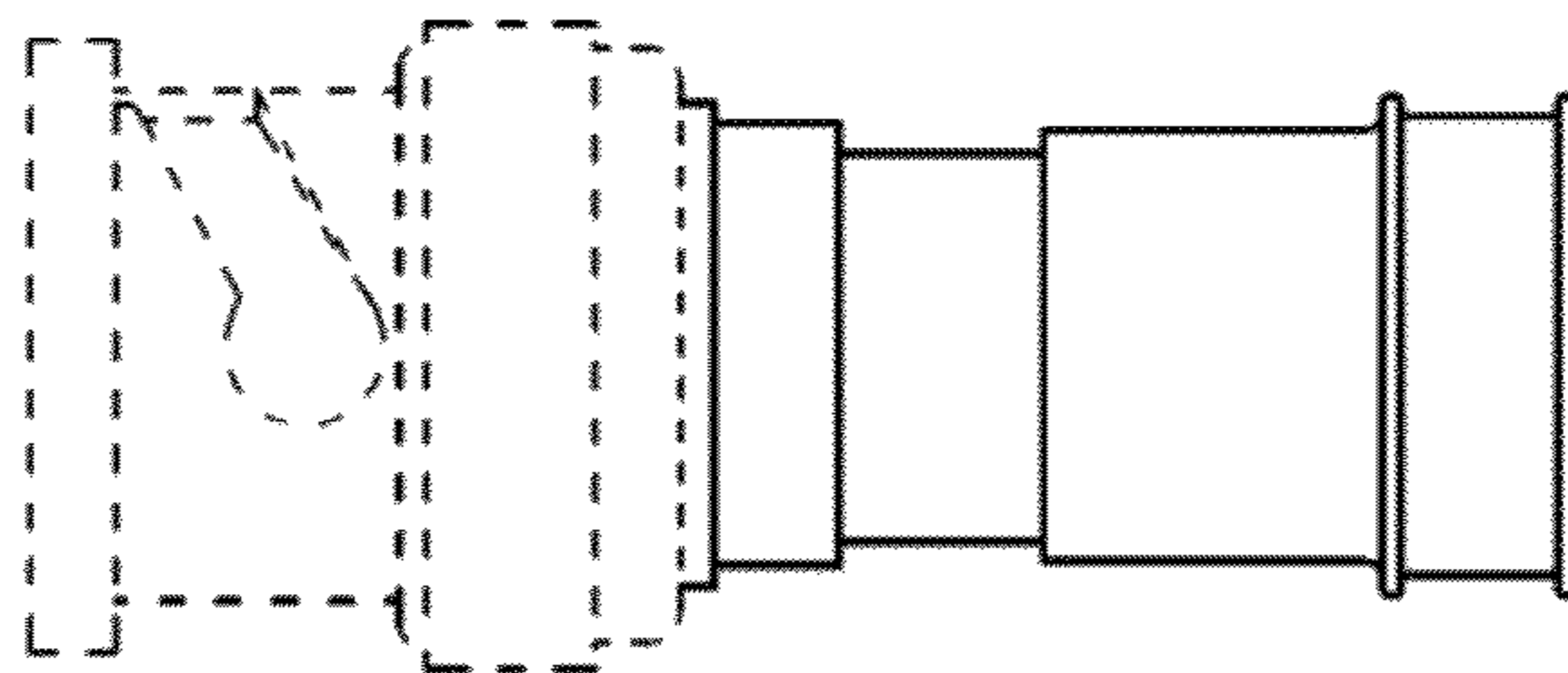


FIG. 3

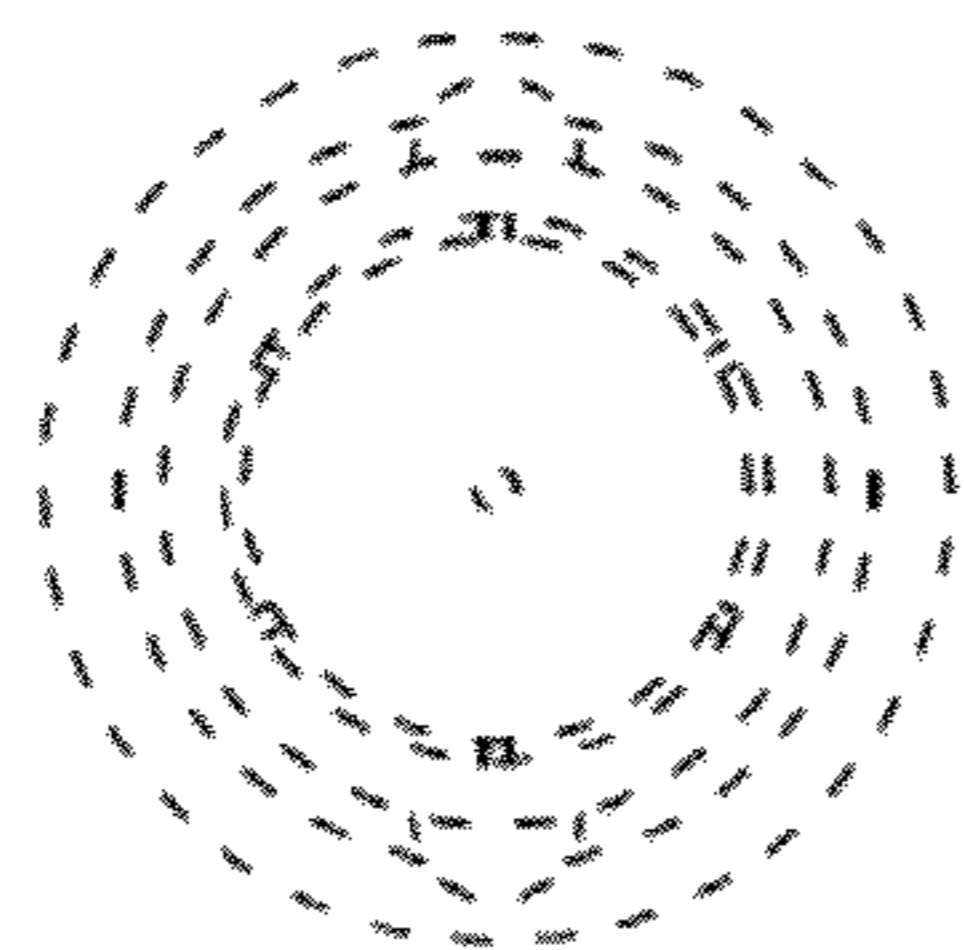


FIG. 4

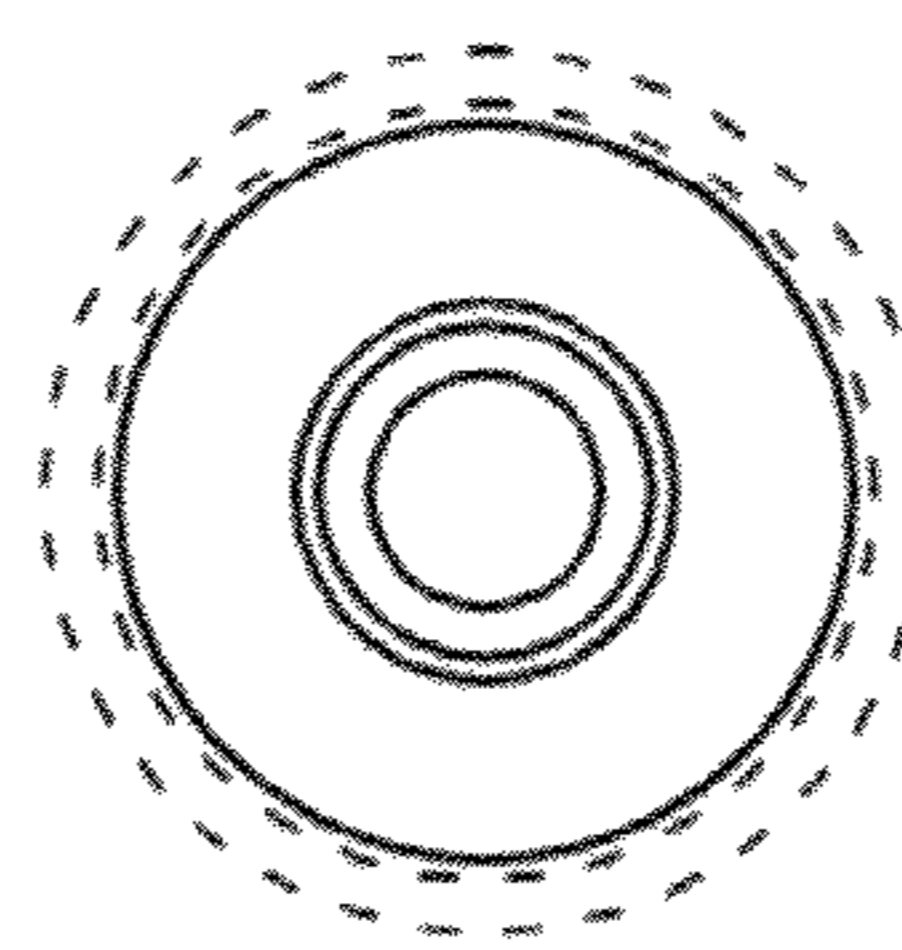


FIG. 5