



US00D741804S

(12) **United States Design Patent**
Davidson, Jr.

(10) **Patent No.:** **US D741,804 S**
(45) **Date of Patent:** **** Oct. 27, 2015**

- (54) **COAXIAL COMPRESSION CONNECTOR**
- (71) Applicant: **Charles Darwin Davidson, Jr.**, Little Rock, AR (US)
- (72) Inventor: **Charles Darwin Davidson, Jr.**, Little Rock, AR (US)
- (73) Assignee: **PerfectVision Manufacturing, Inc.**, Little Rock, AR (US)
- (**) Term: **14 Years**
- (21) Appl. No.: **29/479,782**
- (22) Filed: **Jan. 20, 2014**
- (51) **LOC (10) Cl.** **13-03**
- (52) **U.S. Cl.**
USPC **D13/133**
- (58) **Field of Classification Search**
USPC D13/133, 144, 146-149, 15, 151, 153, 154, 156, 184, 199
CPC H01R 9/05; H01R 9/052; H01R 9/0521; H01R 13/46; H01R 13/51; H01R 13/62; H01R 13/65; H01R 24/38; H01R 24/40; H01R 24/54; H01R 2103/00
See application file for complete search history.

D519,451 S	4/2006	Fox	
D521,454 S	5/2006	Murphy et al.	
D521,930 S	5/2006	Fox	
D530,669 S	* 10/2006	Shing	D13/133
D535,259 S	1/2007	Rodrigues et al.	
D566,653 S	* 4/2008	Sakamoto	D13/133
D578,477 S	* 10/2008	Shing et al.	D13/133
D601,507 S	10/2009	Rodrigues	
D601,966 S	10/2009	Shaw	
D601,967 S	10/2009	Shaw	
D607,826 S	* 1/2010	Shaw	D13/151
D608,294 S	1/2010	Shaw	
D610,999 S	3/2010	Purdy et al.	
D617,287 S	* 6/2010	Amidon	D13/154
D617,742 S	* 6/2010	Amidon	D13/154
D620,894 S	8/2010	Lutz et al.	
D623,141 S	9/2010	Amidon	
D623,142 S	9/2010	Amidon	
D623,599 S	9/2010	Purdy et al.	
D626,920 S	11/2010	Purdy et al.	
D661,256 S	* 6/2012	Shawgo	D13/151
D662,062 S	* 6/2012	Eriksen et al.	D13/151
D662,893 S	7/2012	Haberek et al.	

(Continued)

Primary Examiner — Thomas Johannes
Assistant Examiner — Shawn T Gingrich

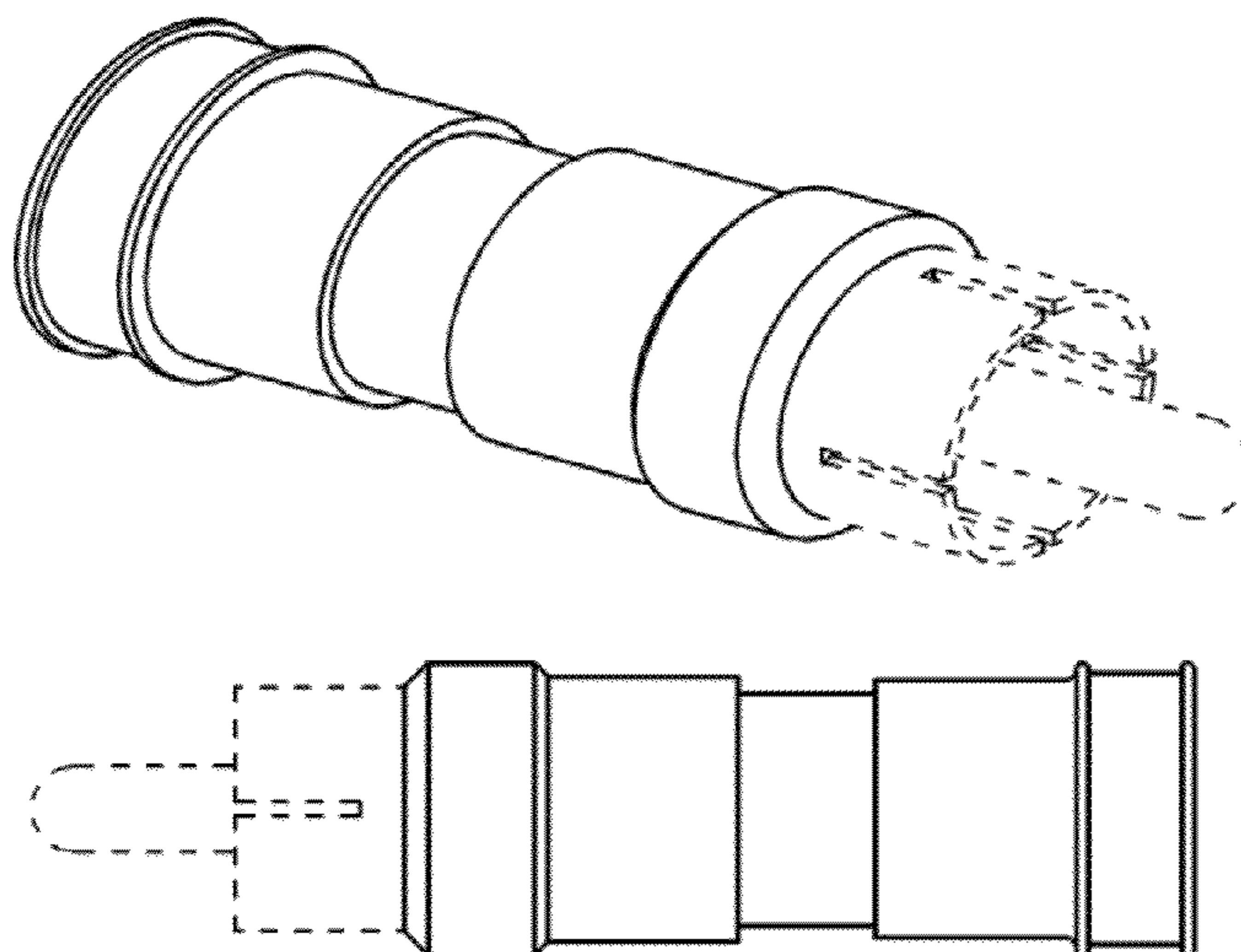
(57) **CLAIM**
The ornamental design for a coaxial compression connector, as shown and described.

DESCRIPTION

FIG. 1 is a side perspective view of a coaxial compression connector showing the front, top, and left of my new design; FIG. 2 is a side perspective view thereof showing the rear, top and right of my new design; FIG. 3 is a side view thereof; FIG. 4 is a front view thereof; and, FIG. 5 is a rear view thereof. The broken line portions of the figure drawings are included to show unclaimed subject matter only and form no part of the claimed design.

1 Claim, 1 Drawing Sheet

- (56) **References Cited**
U.S. PATENT DOCUMENTS
- 5,195,910 A * 3/1993 Enomoto et al. 439/578
- D436,076 S 1/2001 Montena
- D437,826 S 2/2001 Montena
- D456,363 S * 4/2002 Lee D13/154 |- D504,664 S * 5/2005 Montena D13/154 |- D511,497 S 11/2005 Murphy et al.
- D511,498 S 11/2005 Holliday
- D512,024 S 11/2005 Murphy et al.
- D512,689 S 12/2005 Murphy et al.
- D517,496 S * 3/2006 Montena D13/151 |- D518,772 S 4/2006 Fox
- D519,076 S 4/2006 Fox



(56)

References Cited

U.S. PATENT DOCUMENTS

D679,660 S	4/2013	Haberek et al.	2011/0117775 A1*	5/2011	Alrutz	439/578
D680,963 S	4/2013	Purdy	2011/0312199 A1*	12/2011	Alrutz et al.	439/188
D686,164 S	7/2013	Haberek et al.	2012/0295464 A1*	11/2012	Youtsey	439/320
D686,576 S	7/2013	Haberek et al.	2013/0164975 A1*	6/2013	Blake et al.	439/578
2011/0111626 A1*	5/2011	Paglia et al.	2013/0164976 A1*	6/2013	Chastain et al.	439/583
			2013/0171869 A1*	7/2013	Chastain et al.	439/583
			2014/0141646 A1*	5/2014	Lu	439/583

* cited by examiner

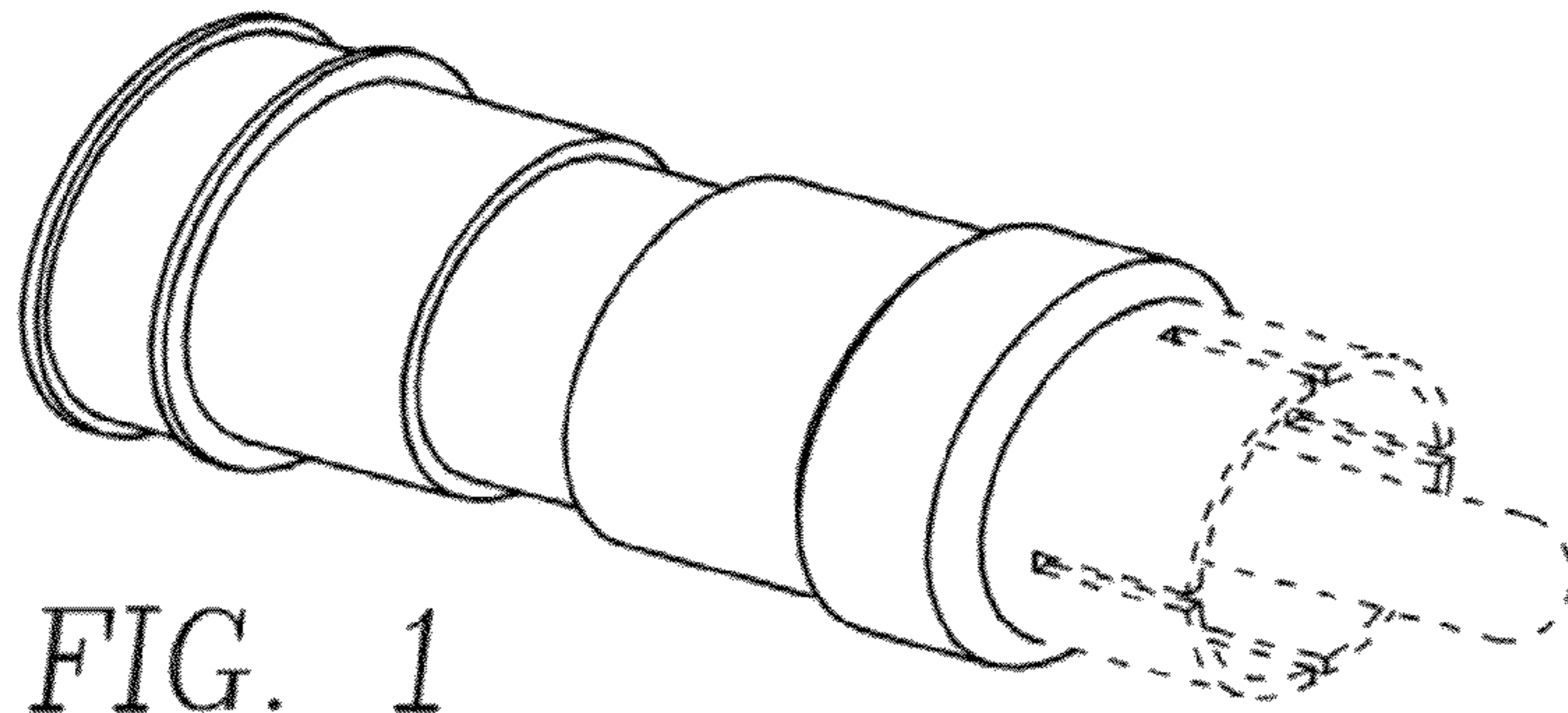


FIG. 1

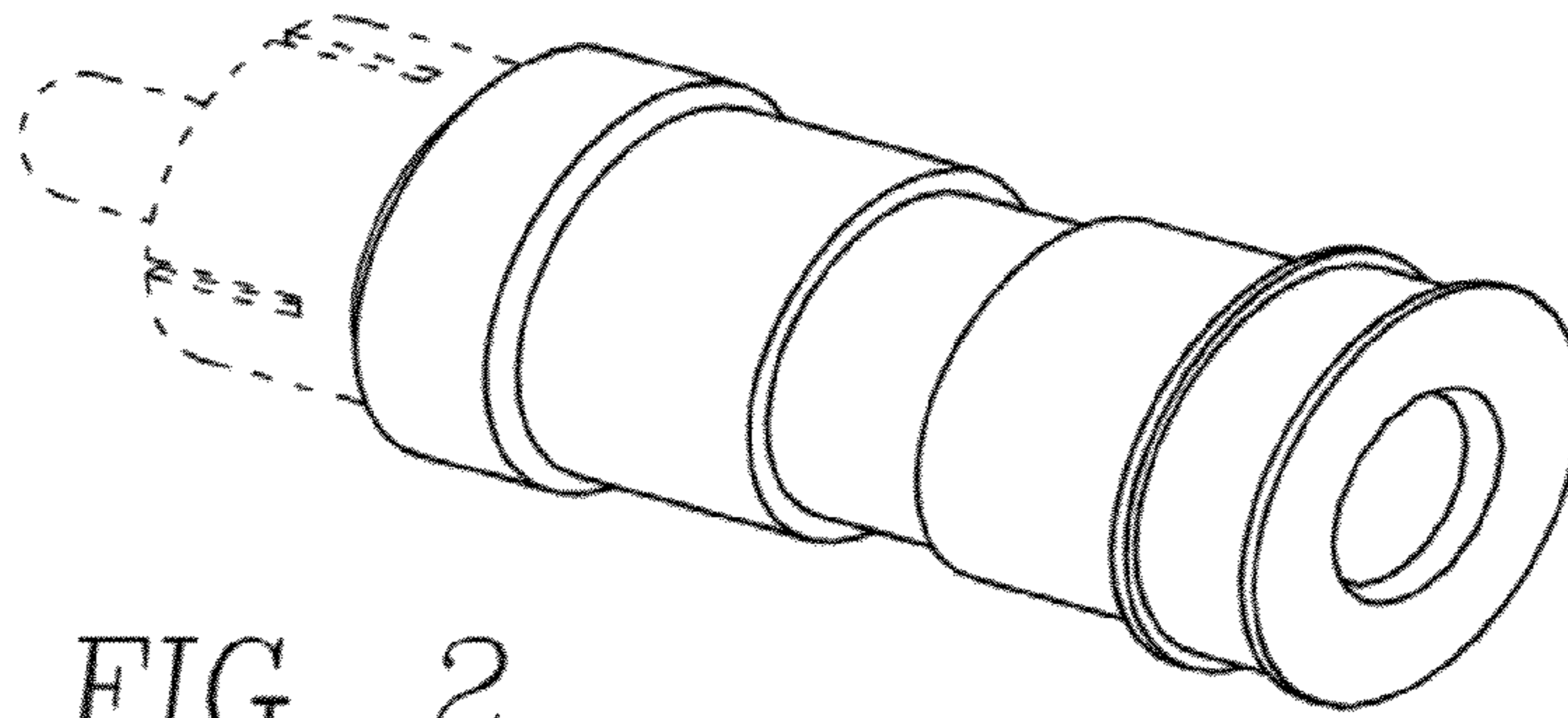


FIG. 2

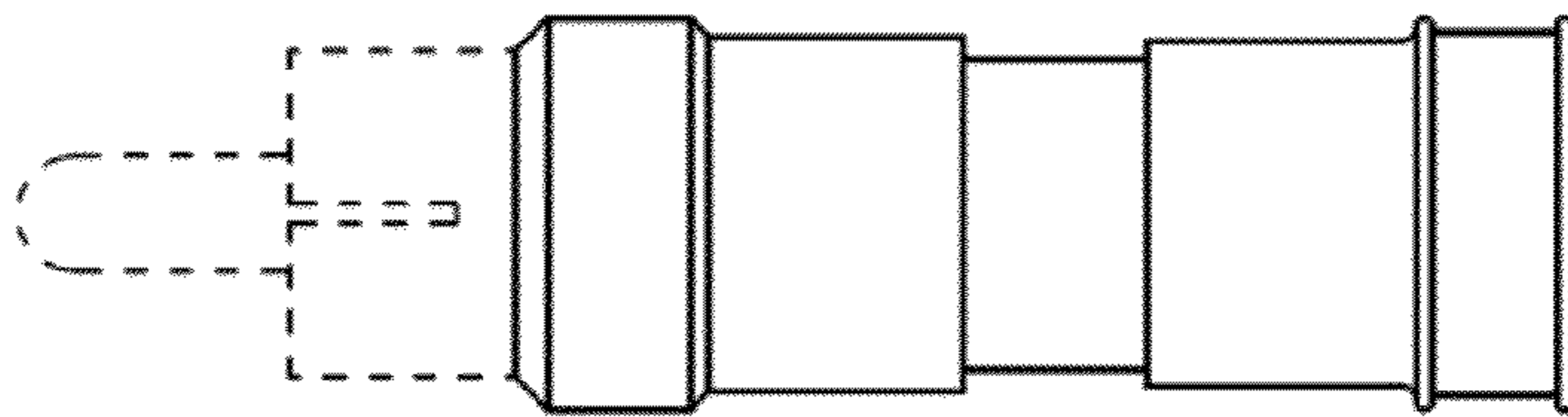


FIG. 3

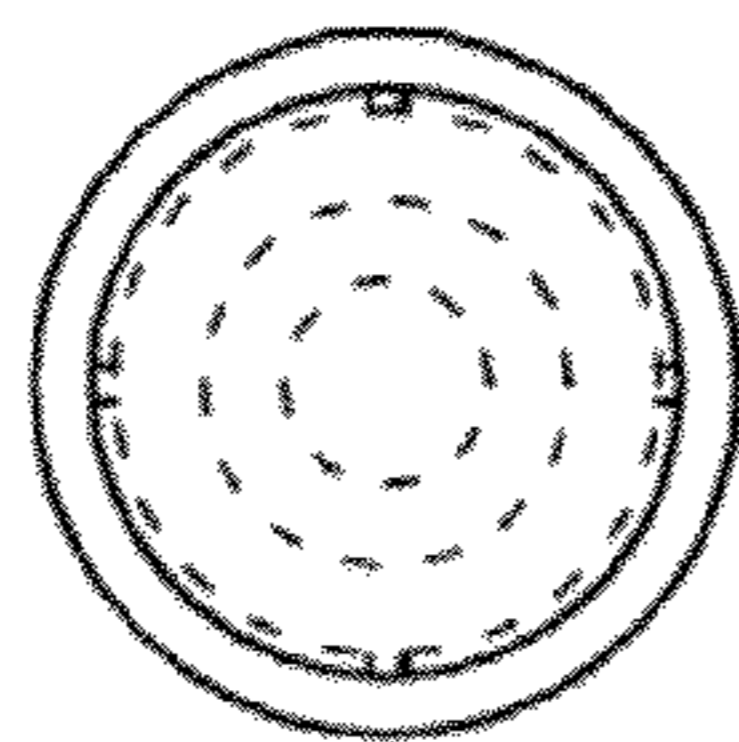


FIG. 4

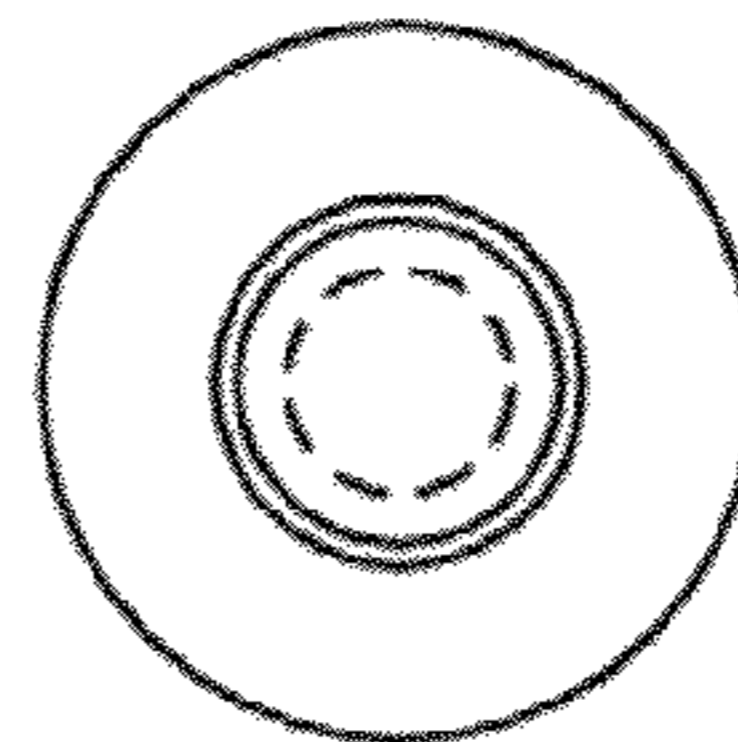


FIG. 5