



US00D741803S

(12) **United States Design Patent**
Davidson, Jr.

(10) **Patent No.:** **US D741,803 S**
(45) **Date of Patent:** **** Oct. 27, 2015**

- (54) **COAXIAL CRIMP CONNECTOR**
- (71) Applicant: **Charles Darwin Davidson, Jr.**, Little Rock, AR (US)
- (72) Inventor: **Charles Darwin Davidson, Jr.**, Little Rock, AR (US)
- (73) Assignee: **PerfectVision Manufacturing, Inc.**
- (**) Term: **14 Years**
- (21) Appl. No.: **29/479,781**
- (22) Filed: **Jan. 20, 2014**
- (51) **LOC (10) Cl.** **13-03**
- (52) **U.S. Cl.**
USPC **D13/133**
- (58) **Field of Classification Search**
USPC D13/133, 144, 146-149, 15, 151, 153, D13/154, 156, 184, 199
CPC H01R 9/05; H01R 9/052; H01R 9/0521; H01R 13/46; H01R 13/51; H01R 13/62; H01R 13/65; H01R 24/38; H01R 24/40; H01R 24/54; H01R 2103/00
See application file for complete search history.

D519,076 S	4/2006	Fox	
D519,451 S	4/2006	Fox	
D521,454 S	5/2006	Murphy et al.	
D521,930 S	5/2006	Fox	
D535,259 S	1/2007	Rodrigues et al.	
D544,444 S	* 6/2007	Yamada	D13/147
D566,653 S	* 4/2008	Sakamoto	D13/133
D578,477 S	* 10/2008	Shing et al.	D13/133
D580,356 S	* 11/2008	Shing et al.	D13/133
D601,507 S	10/2009	Rodrigues	
D601,966 S	10/2009	Shaw	
D601,967 S	10/2009	Shaw	
D608,294 S	1/2010	Shaw	
D610,999 S	3/2010	Purdy et al.	
D617,287 S	* 6/2010	Amidon	D13/154
D617,742 S	* 6/2010	Amidon	D13/154
D620,894 S	8/2010	Lutz et al.	
D623,141 S	9/2010	Amidon	
D623,142 S	9/2010	Amidon	
D623,599 S	9/2010	Purdy et al.	
D626,920 S	11/2010	Purdy et al.	
D661,256 S	* 6/2012	Shawgo	D13/151
D662,062 S	* 6/2012	Eriksen et al.	D13/151

(Continued)

Primary Examiner — Thomas Johannes
Assistant Examiner — Shawn T Gingrich

(57) **CLAIM**
The ornamental design for a coaxial crimp connector, as shown and described.

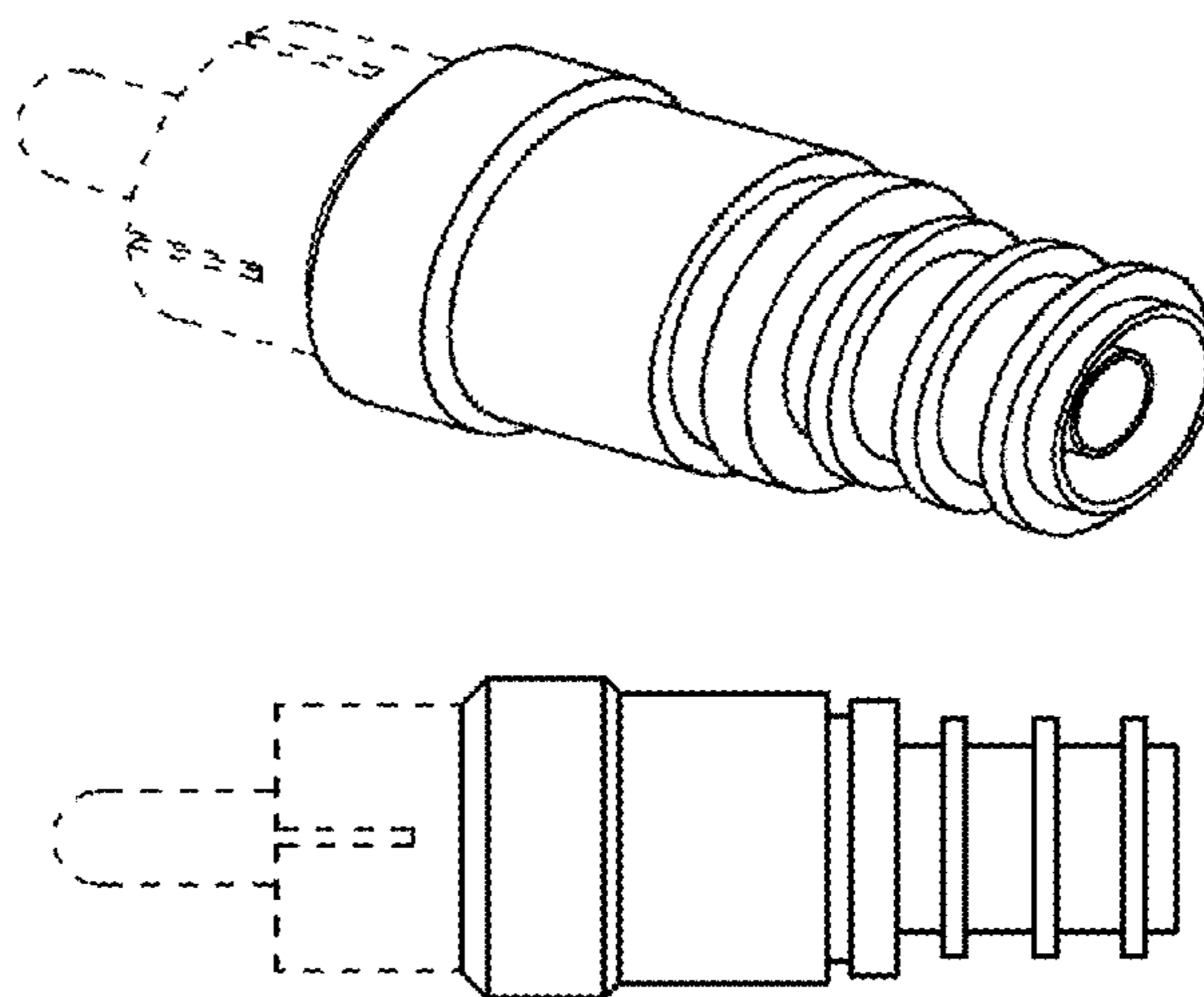
DESCRIPTION

FIG. 1 is a side perspective view of a coaxial crimp connector showing the front, top, and left of my new design; FIG. 2 is a side perspective view thereof showing the rear, top and right of my new design; FIG. 3 is a side view thereof; FIG. 4 is a front view thereof; and, FIG. 5 is a rear view thereof. The broken line portions of the figure drawings are included to show unclaimed subject matter only and form no part of the claimed design.

1 Claim, 1 Drawing Sheet

(56) **References Cited**
U.S. PATENT DOCUMENTS

5,195,910 A	*	3/1993	Enomoto et al.	439/578
D366,862 S	*	2/1996	Lee	D13/133
D407,378 S	*	3/1999	Lee	D13/156
D436,076 S		1/2001	Montena	
D437,826 S		2/2001	Montena	
D504,664 S	*	5/2005	Montena	D13/154
D511,497 S		11/2005	Murphy et al.	
D511,498 S		11/2005	Holliday	
D512,024 S		11/2005	Murphy et al.	
6,960,101 B1	*	11/2005	Chen	439/578
D512,689 S		12/2005	Murphy et al.	
D517,496 S	*	3/2006	Montena	D13/151
D518,772 S		4/2006	Fox	



(56)

References Cited

U.S. PATENT DOCUMENTS

D662,893 S 7/2012 Haberek et al.
D679,660 S 4/2013 Haberek et al.
D680,963 S 4/2013 Purdy
D686,164 S 7/2013 Haberek et al.
D686,576 S 7/2013 Haberek et al.

2004/0029433 A1* 2/2004 Lee et al. 439/445
2011/0117775 A1* 5/2011 Alrutz 439/578
2011/0312199 A1* 12/2011 Alrutz et al. 439/188
2013/0164975 A1* 6/2013 Blake et al. 439/578
2013/0164976 A1* 6/2013 Chastain et al. 439/583
2013/0171869 A1* 7/2013 Chastain et al. 439/583
2014/0141646 A1* 5/2014 Lu 439/583

* cited by examiner

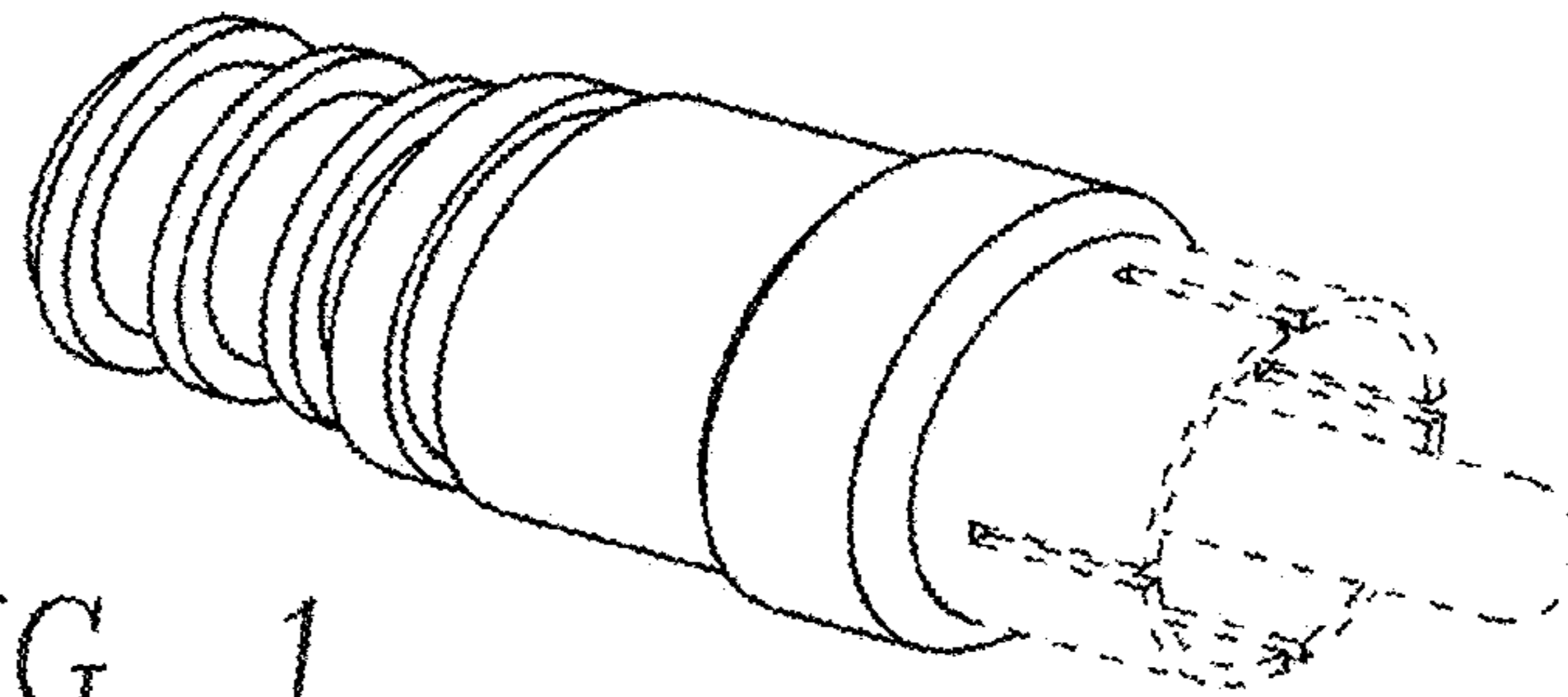


FIG. 1

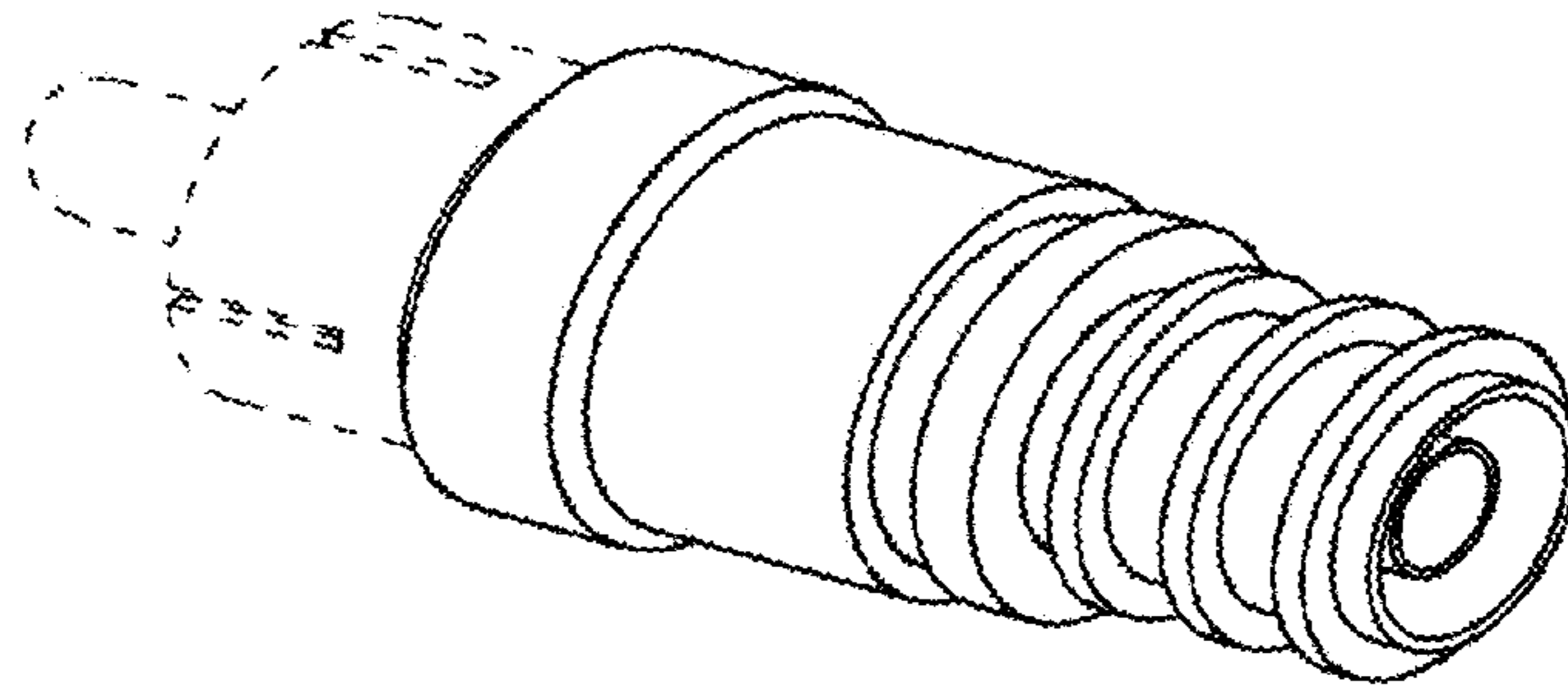


FIG. 2

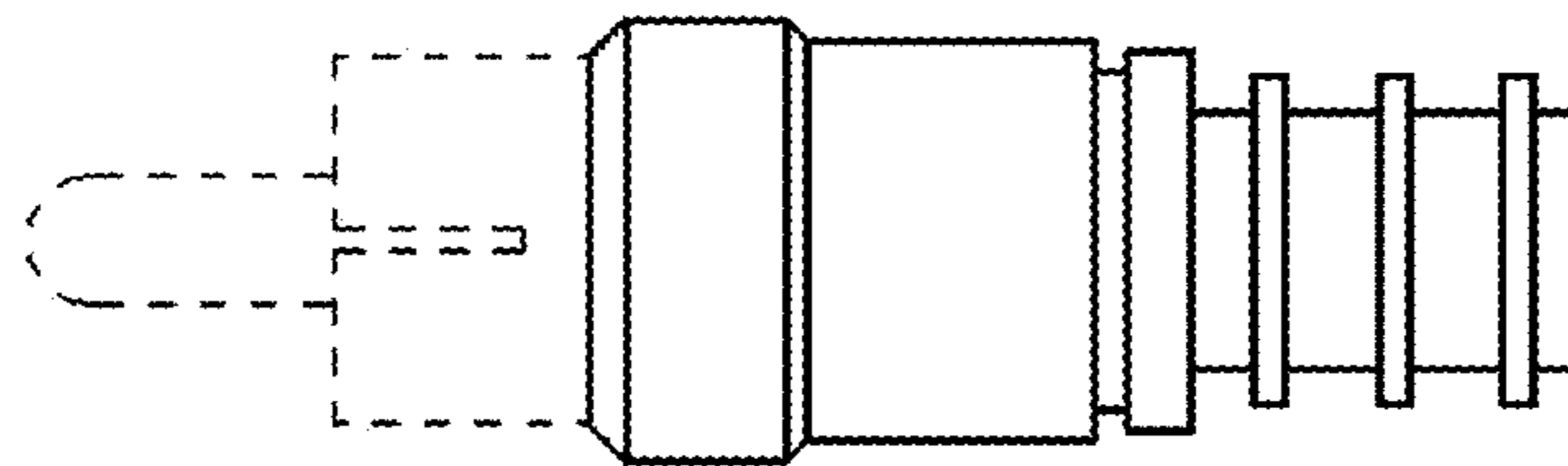


FIG. 3

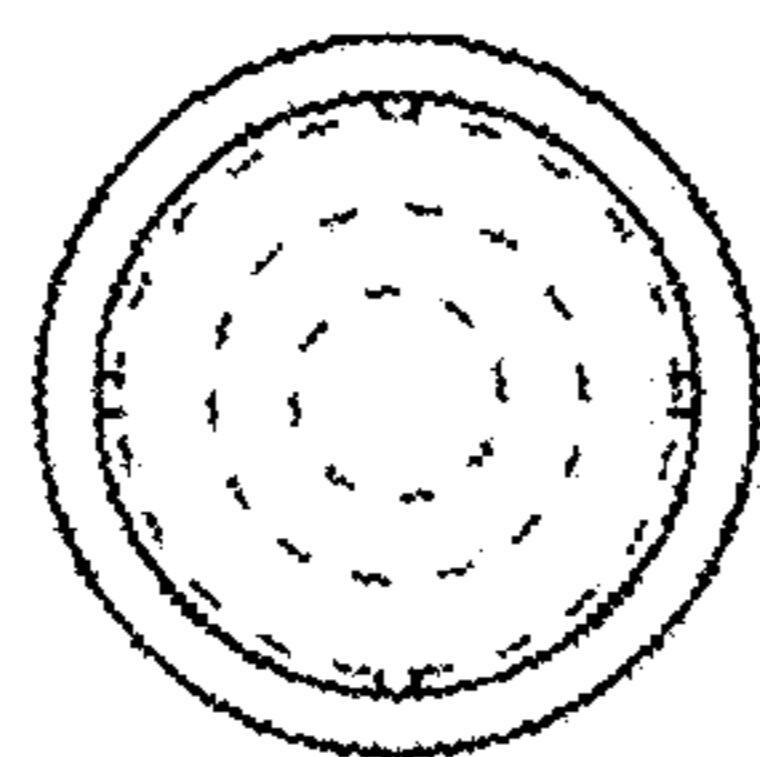


FIG. 4

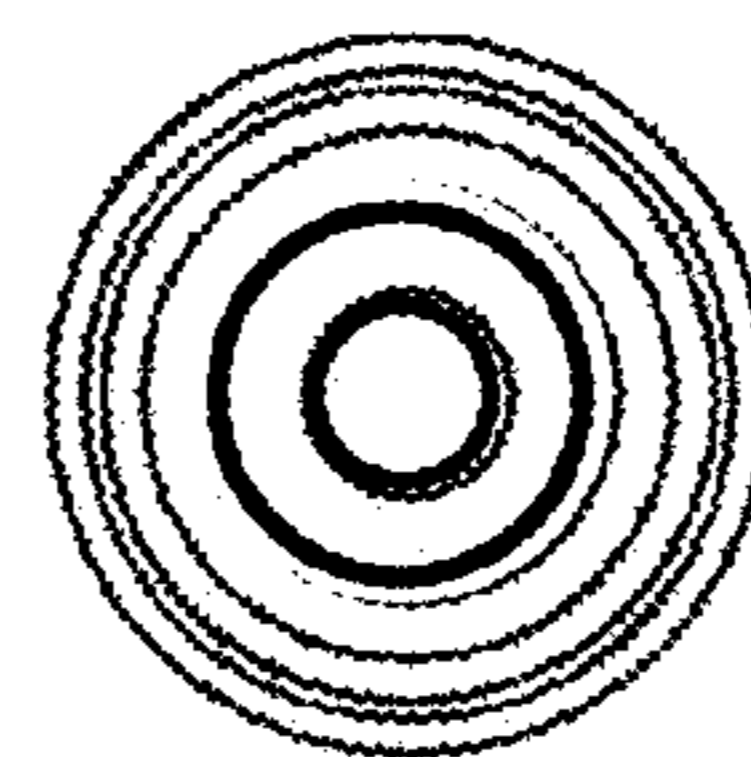


FIG. 5