



US00D741801S

(12) **United States Design Patent**
Davidson, Jr.

(10) **Patent No.:** **US D741,801 S**
(45) **Date of Patent:** **** Oct. 27, 2015**

(54) **F TYPE COAXIAL COMPRESSION CONNECTOR**

(71) Applicant: **Charles Darwin Davidson, Jr.**, Little Rock, AR (US)

(72) Inventor: **Charles Darwin Davidson, Jr.**, Little Rock, AR (US)

(73) Assignee: **PerfectVision Manufacturing, Inc.**

(**) Term: **14 Years**

(21) Appl. No.: **29/479,774**

(22) Filed: **Jan. 20, 2014**

(51) **LOC (10) Cl.** **13-03**

(52) **U.S. Cl.**
USPC **D13/133**

(58) **Field of Classification Search**
USPC D13/133, 144, 146-149, 15, 151, 153, D13/154, 156, 184, 199
CPC H01R 9/05; H01R 9/052; H01R 9/0521; H01R 13/46; H01R 13/51; H01R 13/62; H01R 13/65; H01R 24/38; H01R 24/40; H01R 24/54; H01R 2103/00
See application file for complete search history.

(56) **References Cited**

U.S. PATENT DOCUMENTS

5,195,910	A *	3/1993	Enomoto et al.	439/578
D436,076	S	1/2001	Montena	
D437,826	S	2/2001	Montena	
D456,363	S *	4/2002	Lee	D13/154
D504,664	S *	5/2005	Montena	D13/154
D511,497	S	11/2005	Murphy et al.	
D511,498	S	11/2005	Holliday	
D512,024	S	11/2005	Murphy et al.	
D512,689	S	12/2005	Murphy et al.	
D517,496	S *	3/2006	Montena	D13/151
D518,772	S	4/2006	Fox	
D519,076	S	4/2006	Fox	
D519,451	S	4/2006	Fox	

D521,454	S	5/2006	Murphy et al.	
D521,930	S	5/2006	Fox	
D530,669	S *	10/2006	Shing	D13/133
D535,259	S	1/2007	Rodrigues et al.	
D544,444	S *	6/2007	Yamada	D13/147
D566,653	S *	4/2008	Sakamoto	D13/133
D578,477	S *	10/2008	Shing et al.	D13/133
D601,507	S	10/2009	Rodrigues	
D601,966	S	10/2009	Shaw	
D601,967	S	10/2009	Shaw	
D608,294	S	1/2010	Shaw	
D610,999	S	3/2010	Purdy et al.	
D617,742	S *	6/2010	Amidon	D13/154
D620,894	S	8/2010	Lutz et al.	
D623,141	S	9/2010	Amidon	
D623,142	S	9/2010	Amidon	
D623,599	S	9/2010	Purdy et al.	
D626,920	S	11/2010	Purdy et al.	
D661,256	S *	6/2012	Shawgo	D13/151

(Continued)

Primary Examiner — Thomas Johannes

Assistant Examiner — Shawn T Gingrich

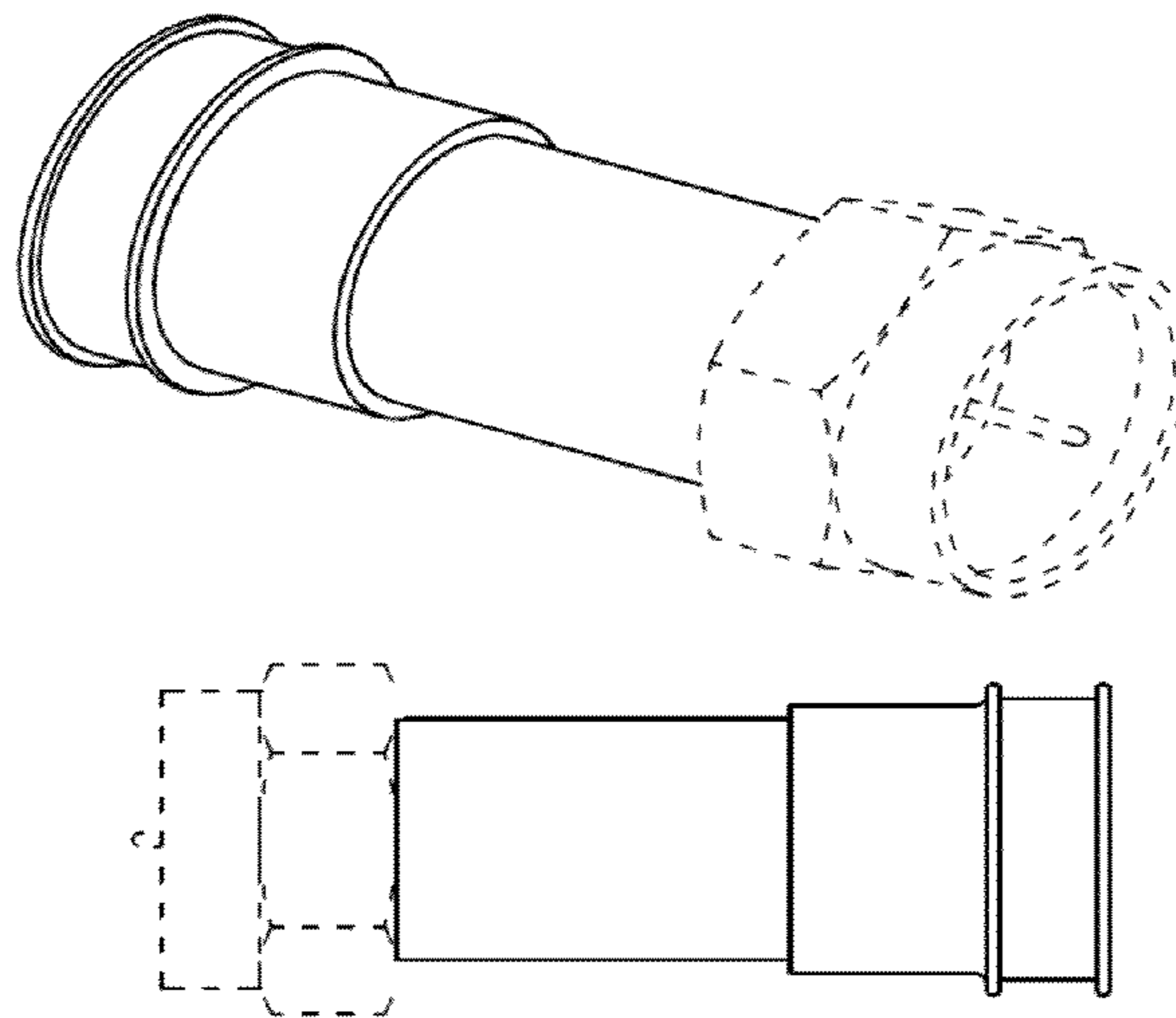
(57) **CLAIM**

The ornamental design for an F type coaxial compression connector, as shown and described.

DESCRIPTION

FIG. 1 is a side perspective view of an F type coaxial compression connector showing the front, top, and left of my new design;
FIG. 2 is a side perspective view thereof showing the rear, top and right of my new design;
FIG. 3 is a right side view thereof which is a mirror image of the left side view;
FIG. 4 is a top view thereof which is a mirror image of the bottom view;
FIG. 5 is a front view thereof; and,
FIG. 6 is a rear view thereof.
The broken line portions of the figure drawings are included to show unclaimed subject matter only and form no part of the claimed design.

1 Claim, 1 Drawing Sheet



(56)

References Cited

U.S. PATENT DOCUMENTS

D662,062 S *	6/2012	Eriksen et al.	D13/151	2011/0111626 A1 *	5/2011	Paglia et al.	439/584
D662,893 S	7/2012	Haberek et al.		2011/0117775 A1 *	5/2011	Alrutz	439/578
D679,660 S	4/2013	Haberek et al.		2011/0312199 A1 *	12/2011	Alrutz et al.	439/188
D680,963 S	4/2013	Purdy		2012/0295464 A1 *	11/2012	Youtsey	439/320
D686,164 S	7/2013	Haberek et al.		2013/0164975 A1 *	6/2013	Blake et al.	439/578
D686,576 S	7/2013	Haberek et al.		2013/0164976 A1 *	6/2013	Chastain et al.	439/583
				2013/0171869 A1 *	7/2013	Chastain et al.	439/583
				2014/0141646 A1 *	5/2014	Lu	439/583

* cited by examiner

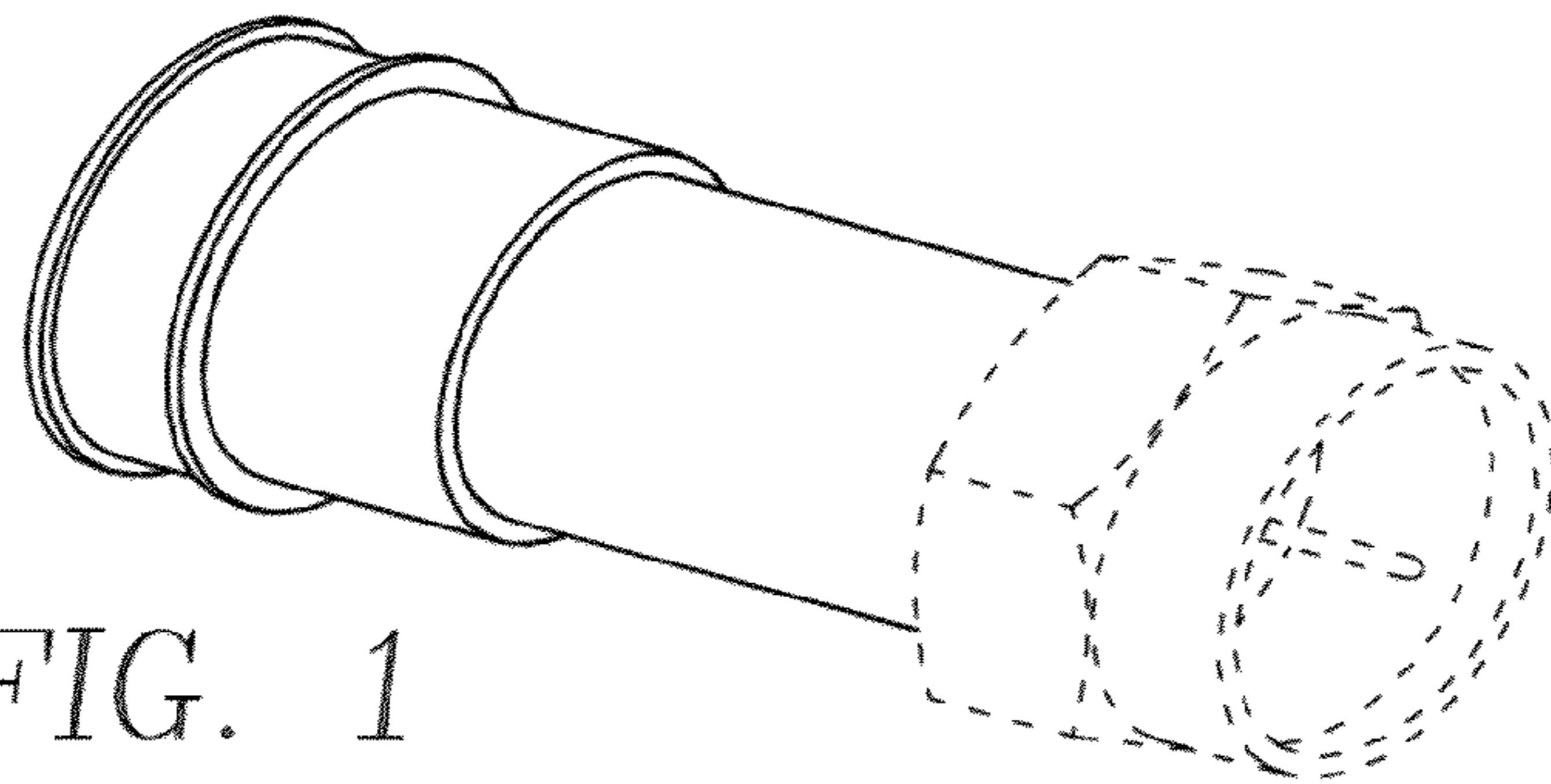


FIG. 1

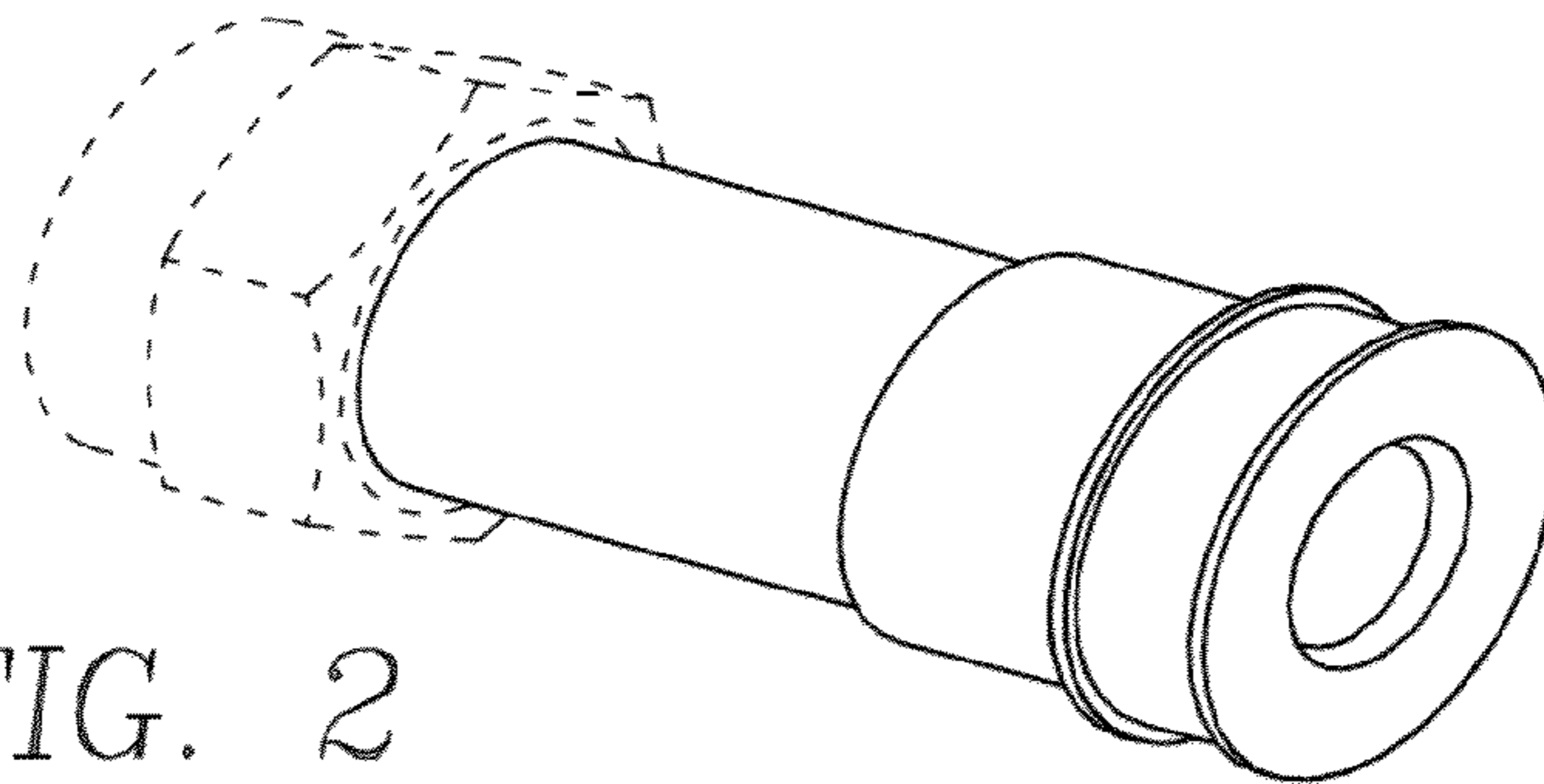


FIG. 2

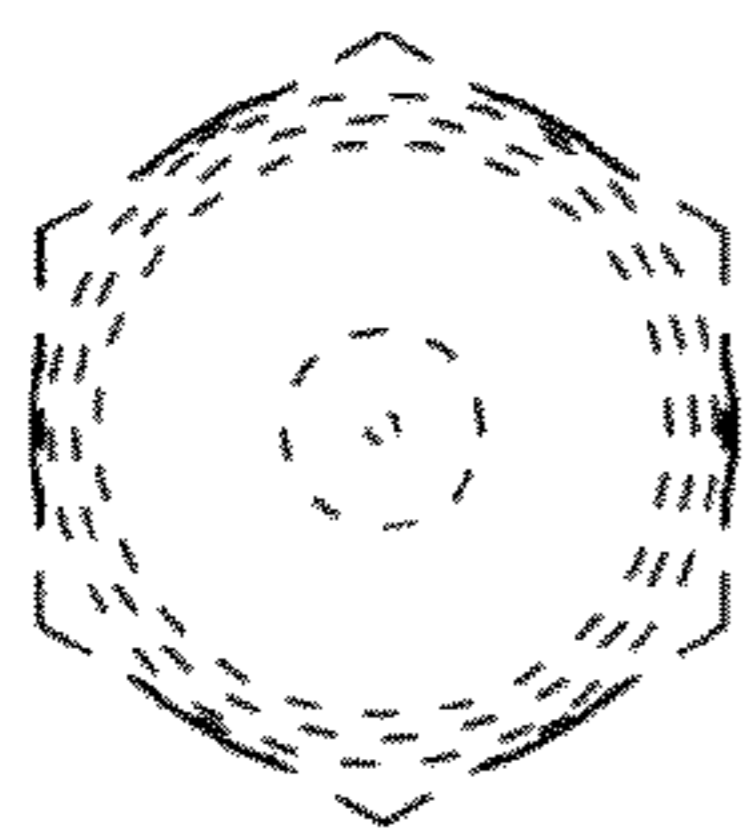


FIG. 5

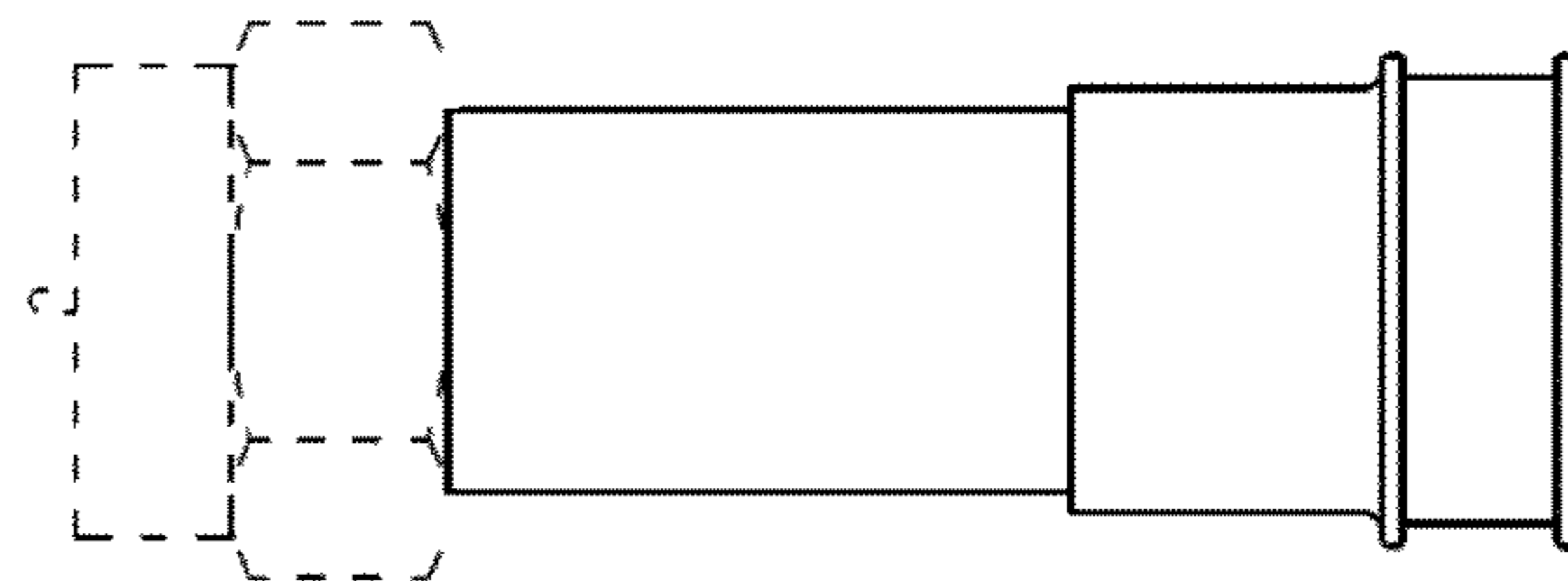


FIG. 3

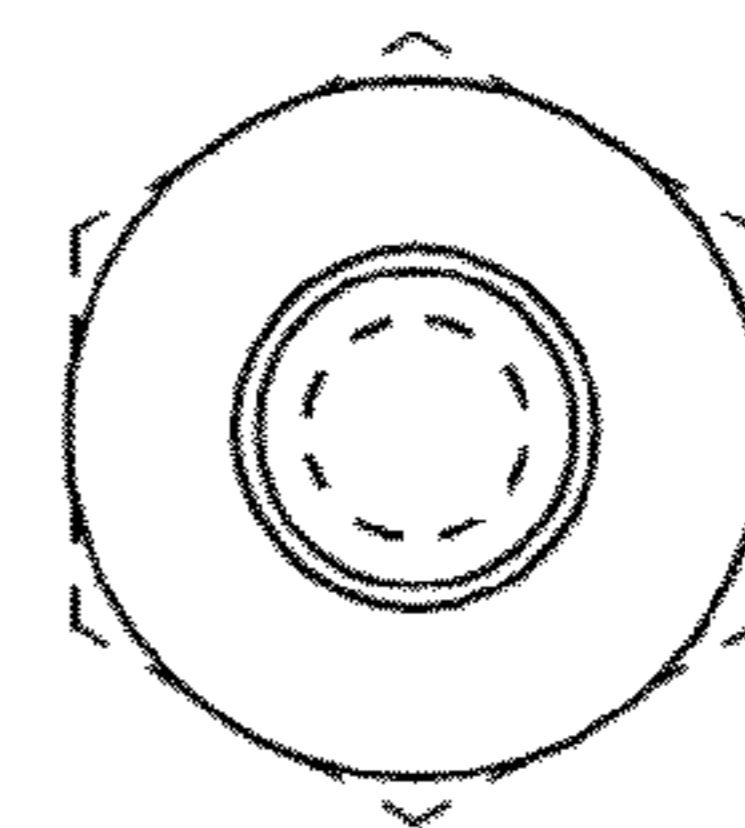


FIG. 6

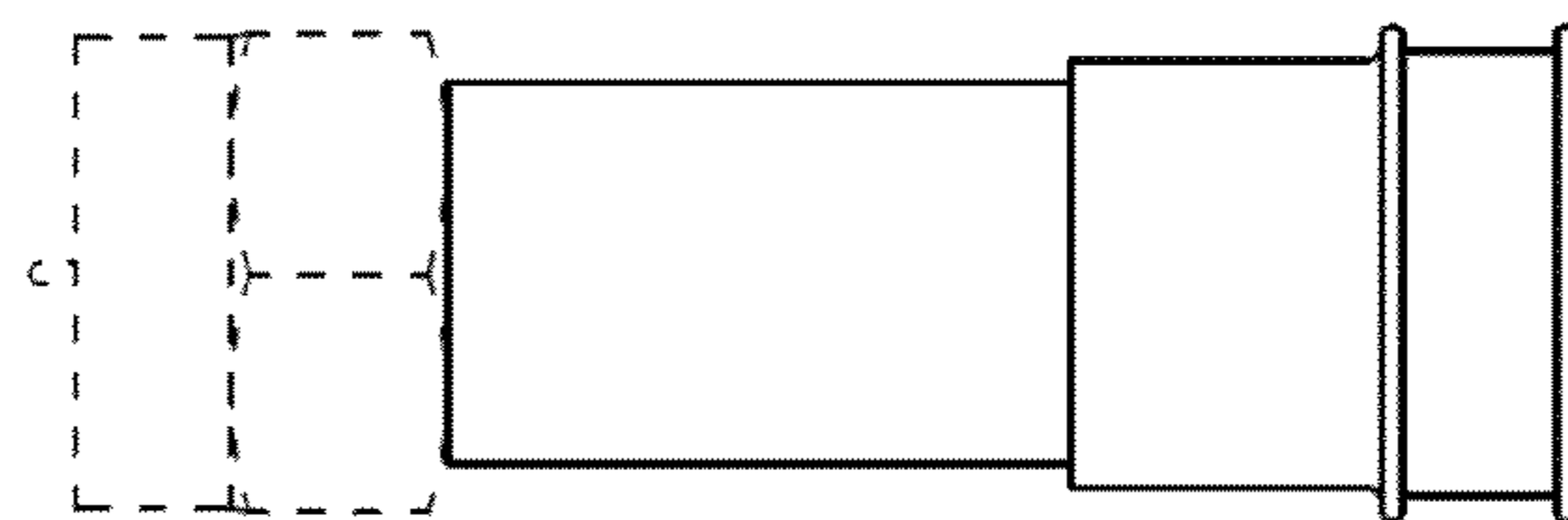


FIG. 4