



US00D741798S

(12) **United States Design Patent**
Dominguez

(10) **Patent No.:** **US D741,798 S**

(45) **Date of Patent:** **** Oct. 27, 2015**

(54) **GENERATOR STANDBY ELECTRIC POWER
MECHANICAL INTERLOCK**

(71) Applicant: **Armando Dominguez**, Miami, FL (US)

(72) Inventor: **Armando Dominguez**, Miami, FL (US)

(**) Term: **14 Years**

(21) Appl. No.: **29/474,686**

(22) Filed: **Dec. 29, 2014**

(51) **LOC (10) Cl.** **13-01**

(52) **U.S. Cl.**
USPC **D13/118; D13/175**

(58) **Field of Classification Search**

USPC D13/101, 118, 120, 121, 159, 160, 173,
D13/174, 175, 199; 307/23, 64, 115, 125,
307/126, 130, 139, 141; 361/624, 631, 634,
361/641, 656; 200/50.32, 50.33, 50.4,
200/50.03, 50.05, 50.06

CPC H01H 9/20; H01H 9/22; H01H 9/26;
H01H 9/28; H01H 3/00; H01H 23/00; H01H
23/10; H01H 71/04

See application file for complete search history.

(56) **References Cited**

U.S. PATENT DOCUMENTS

D331,390 S * 12/1992 Weinstein D13/173
6,861,596 B2 * 3/2005 Schnackenberg H01H 9/26
200/43.01

D562,266 S * 2/2008 Schnackenberg D13/175
7,462,791 B1 * 12/2008 Flegel H01H 9/26
200/50.32

D605,116 S * 12/2009 Heichal D13/118
7,855,871 B2 * 12/2010 Hudgins, Jr. H02J 9/06
200/50.32

2008/0190747 A1 * 8/2008 Carson H01H 9/22
200/50.1

* cited by examiner

Primary Examiner — Derrick Holland

(57) **CLAIM**

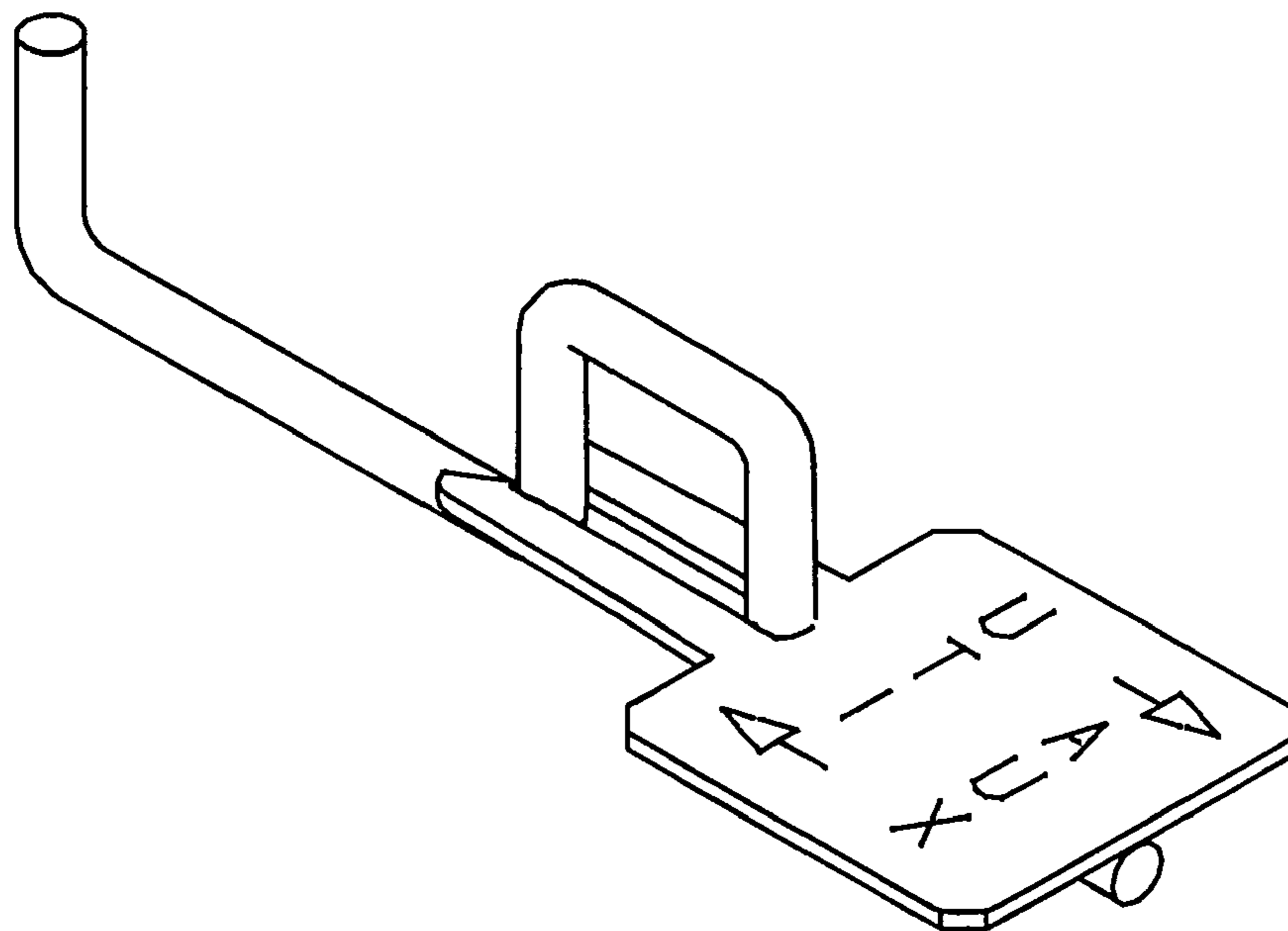
The ornamental design for a generator standby electric power mechanical interlock, as shown and described.

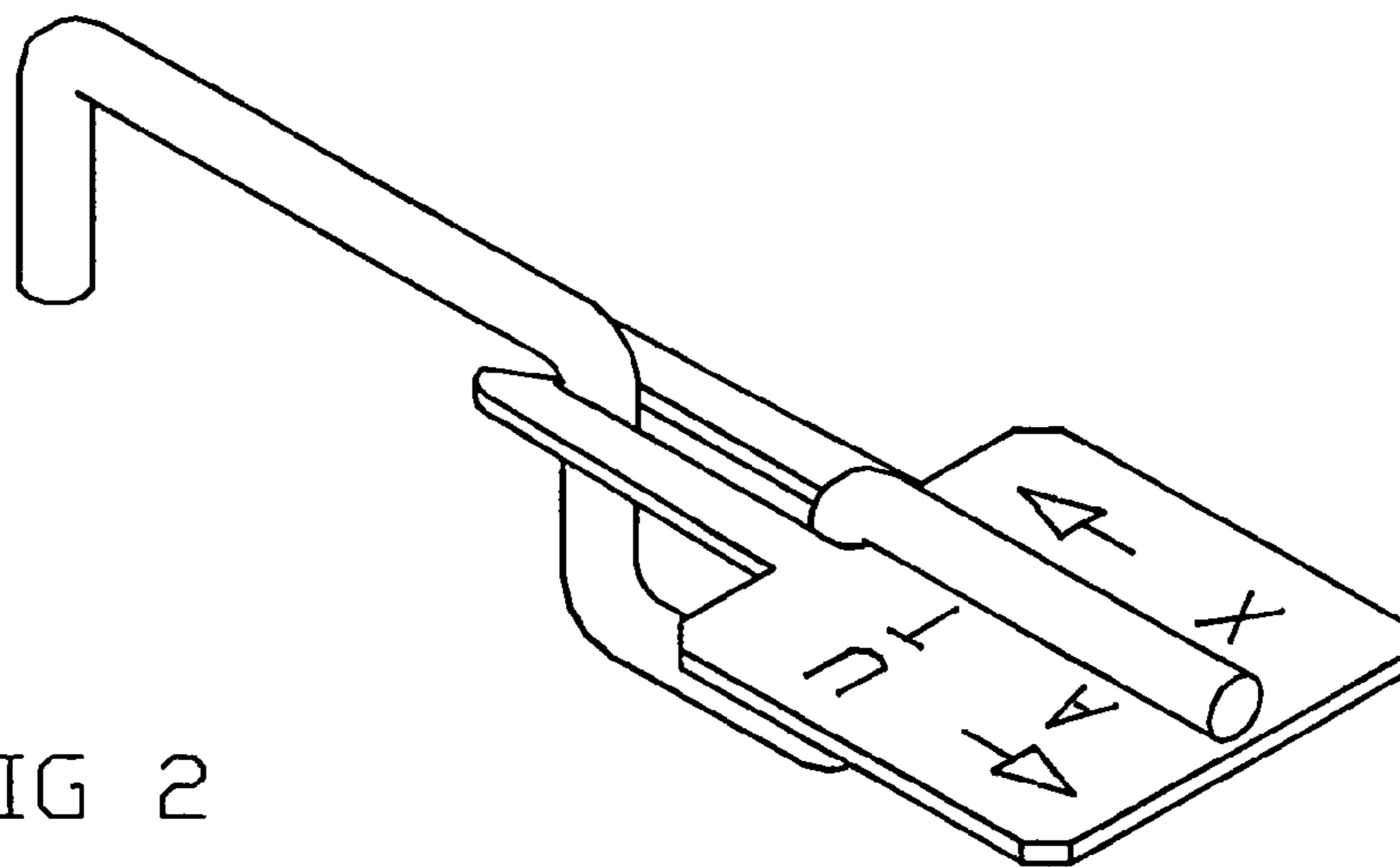
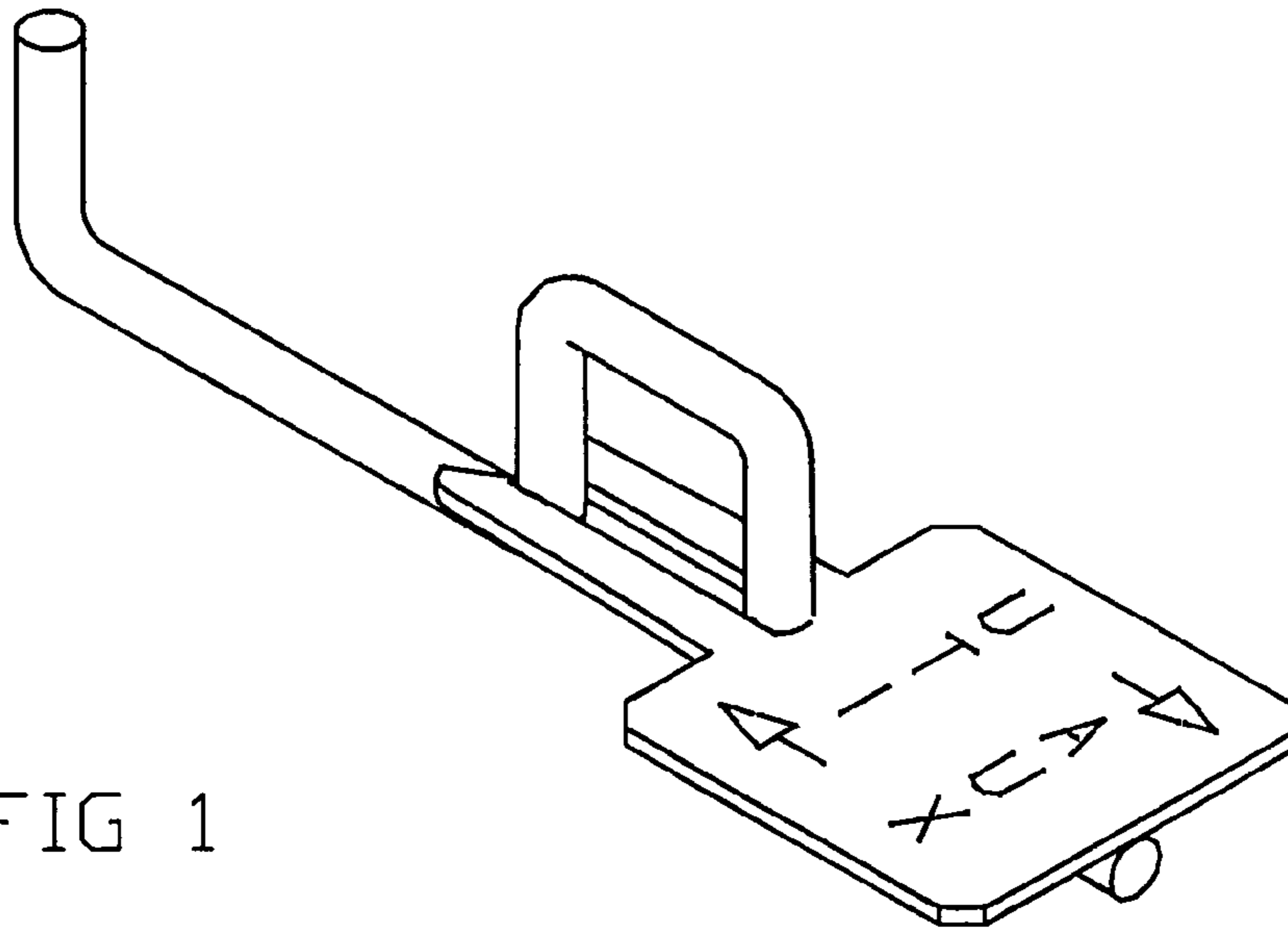
DESCRIPTION

FIG. 1 is a perspective view of a generator standby electric power mechanical interlock showing my new design; FIG. 2 is a second perspective view thereof; FIG. 3 is an exploded perspective view thereof; FIG. 4 is a second exploded perspective view thereof; FIG. 5 is a perspective view thereof, shown in environmental use; and, FIG. 6 is a second perspective view thereof, shown in environmental use.

The broken lines shown represent unclaimed subject matter and form no part of the claimed design.

1 Claim, 3 Drawing Sheets





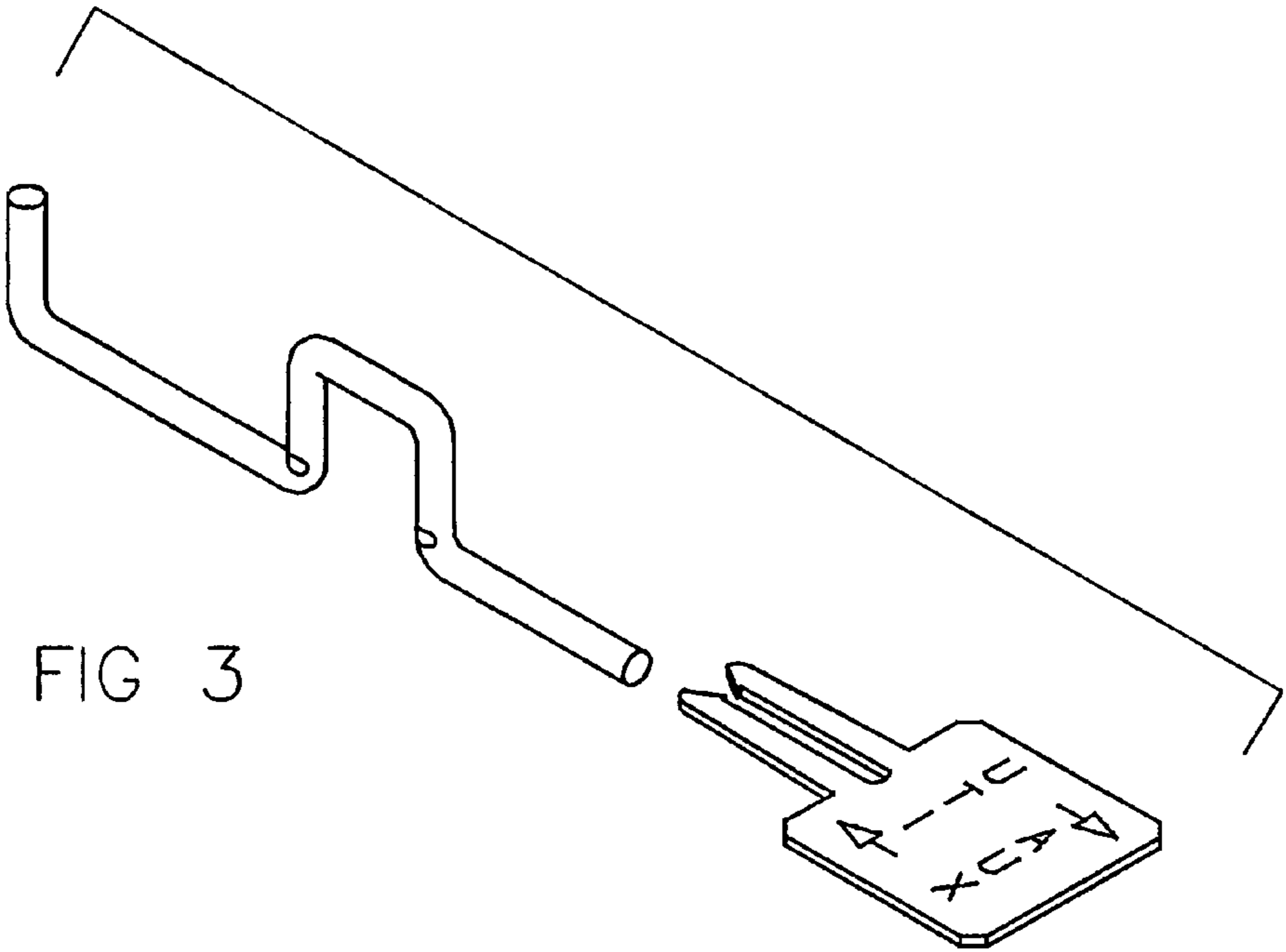


FIG 3

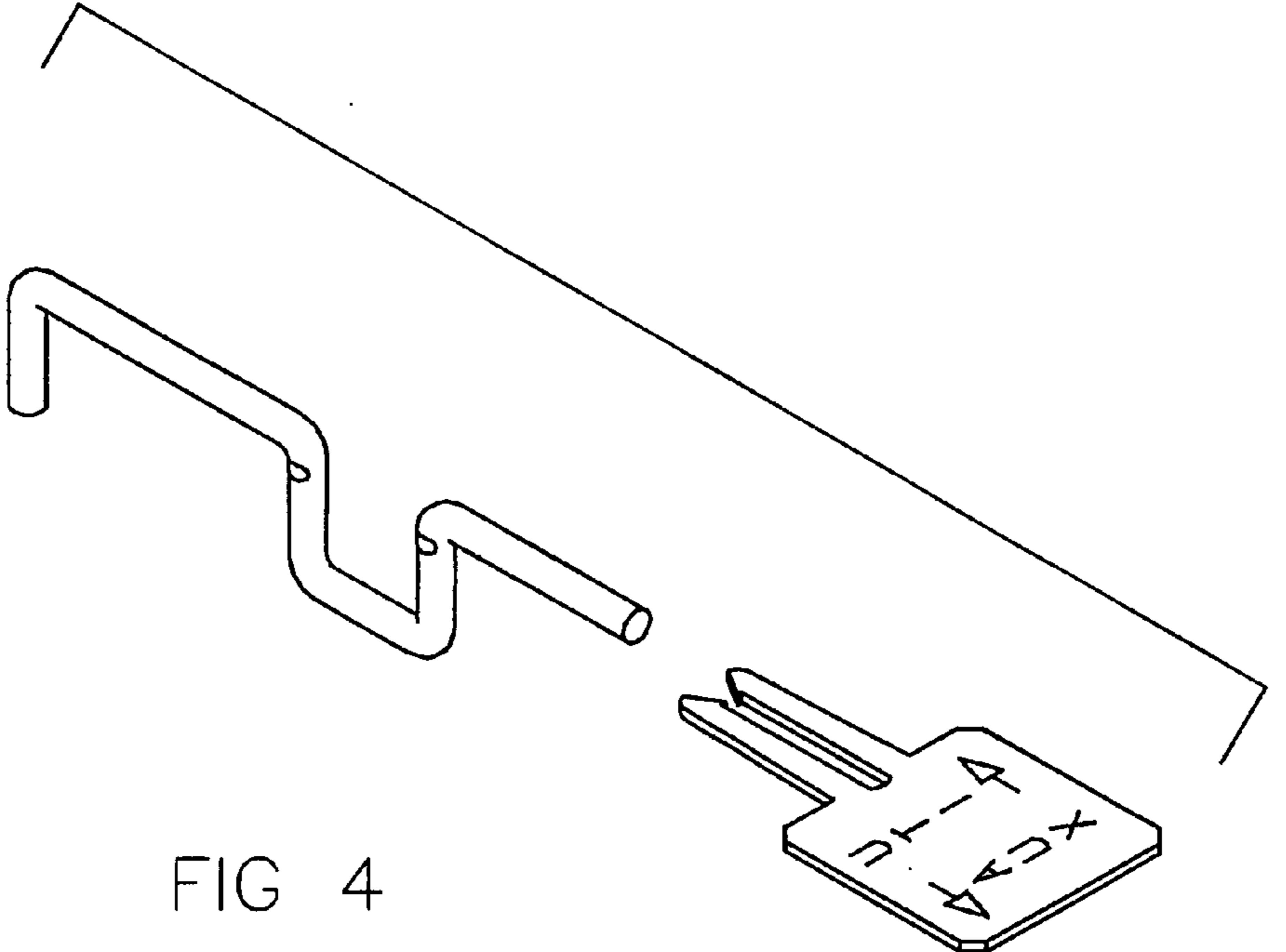


FIG 4

FIG 5

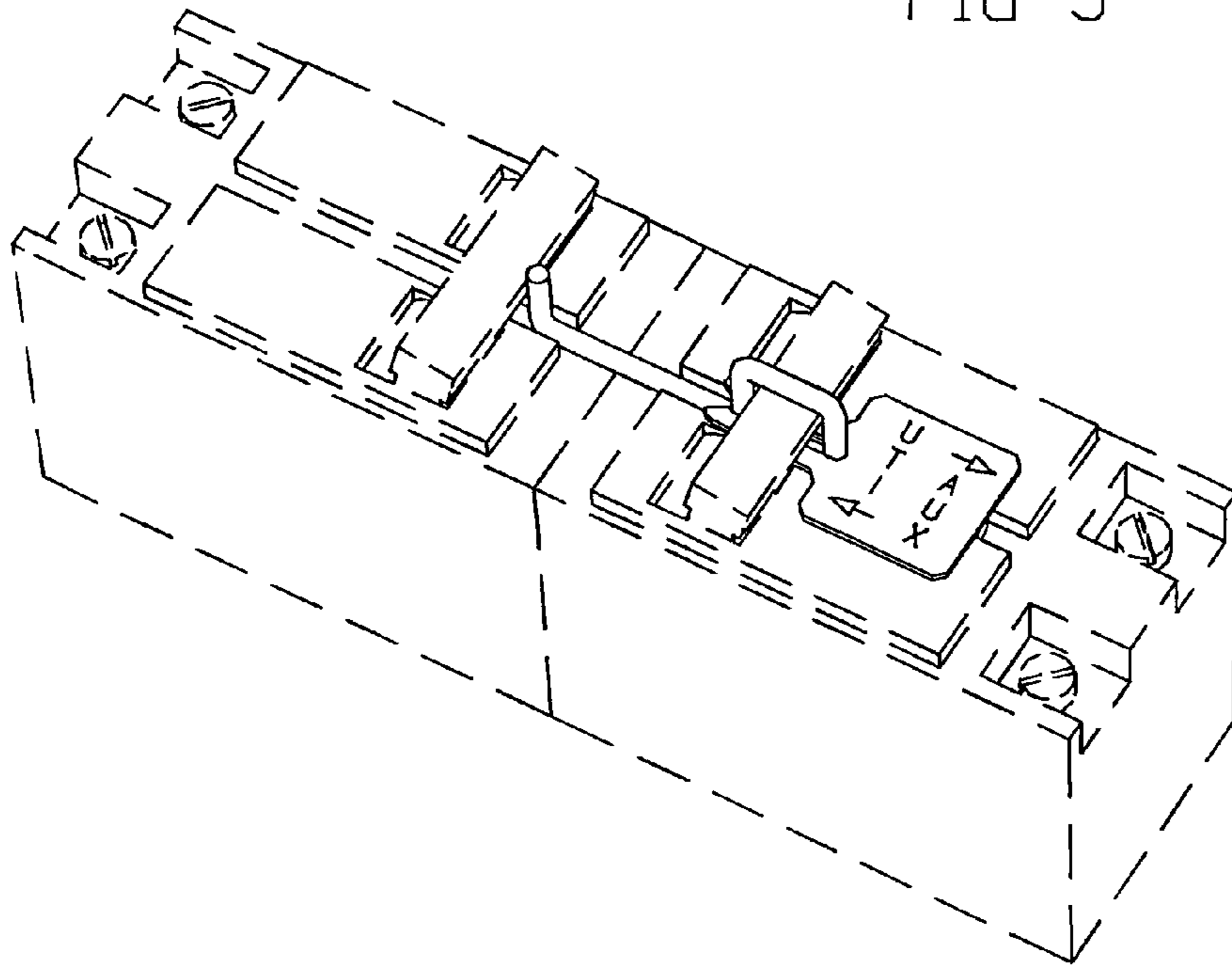


FIG 6

