



US00D741796S

(12) **United States Design Patent**
Robinson et al.

(10) **Patent No.:** **US D741,796 S**
(45) **Date of Patent:** **** Oct. 27, 2015**

(54) **USB AC CHARGER ADAPTOR WITH BUILT-IN RECHARGEABLE BATTERY**

(71) Applicant: **ROYAL CONSUMER INFORMATION PRODUCTS, INC.**, Bridgewater, NJ (US)
(72) Inventors: **Robert J. Robinson**, Jamison, PA (US); **Robert B. Staubitz**, Collinsville, CT (US)
(73) Assignee: **Royal Consumer Information Products, Inc.**, Bridgewater, NJ (US)

(**) Term: **14 Years**

(21) Appl. No.: **29/497,644**

(22) Filed: **Jul. 25, 2014**

(51) **LOC (10) Cl.** **13-02**

(52) **U.S. Cl.**
USPC **D13/108; D13/103**

(58) **Field of Classification Search**
USPC D13/102-110, 118-119, 184, 199, 133, D13/144; D14/251, 253, 432, 434, 356, D14/155; D15/9; 439/300, 620.01, 638, 439/668-669, 675, 825; 320/107-115
CPC Y02E 60/12; Y02E 60/10; Y02E 60/122; Y02E 60/124; Y02E 60/50; Y02T 90/14; Y02T 90/122; Y02T 90/128; Y02T 90/163; H02J 7/025; H02J 7/0042; H02J 7/0044; H02J 7/0045; H02J 7/0003; H02J 7/00; H02J 7/0011; H02J 7/0013; H02J 7/0054; H02J 7/0055; H02J 7/0057; H02J 2007/0062; H01F 38/14; H01R 13/6675; H01M 2/02; H01M 2/022; H01M 2/0202; H01M 2/0207; H01M 2/0212; H01M 2/1061; H01M 2/1022; H01M 2/1055; H01M 2/1066; H01M 2/105; H01M 2/204; H01M 10/44; H01M 10/46; H01M 10/425; H01M 10/465; H01M 10/482; H01M 10/4257; H01M 10/0436; H01M 10/48; H01M 2200/30; H01M 2250/30; H01M 2250/40; B60L 11/182

See application file for complete search history.

(56) **References Cited**

U.S. PATENT DOCUMENTS

6,059,584	A	*	5/2000	Mareno	439/131
D478,310	S	*	8/2003	Andre et al.	D13/110
D663,687	S	*	7/2012	Liu	D13/108
D677,223	S	*	3/2013	Cho	D13/110
D689,818	S	*	9/2013	Sasada	D13/107
D694,183	S	*	11/2013	Matsuoka et al.	D13/110
D694,185	S	*	11/2013	Matsuoka et al.	D13/110
D705,159	S	*	5/2014	Levy et al.	D13/108
D708,131	S	*	7/2014	Miller et al.	D13/108
D711,824	S	*	8/2014	Matsuoka et al.	D13/110
D731,966	S	*	6/2015	Rabalais et al.	D13/107

(Continued)

Primary Examiner — Rosemary K Tarcza

Assistant Examiner — Sanjeev Paul

(74) *Attorney, Agent, or Firm* — Roberts & Roberts, LLP

(57) **CLAIM**

The ornamental design for a USB AC charger adaptor with built-in rechargeable battery, as shown and described.

DESCRIPTION

FIG. 1 is a front perspective view of a USB AC charger adaptor with built-in rechargeable battery, showing our new design wherein the prongs are folded out in an extended position.

FIG. 2 is a rear perspective view of the USB AC charger adaptor with built-in rechargeable battery, wherein the prongs are folded out in an extended position.

FIG. 3 is a front view thereof.

FIG. 4 is a rear view thereof.

FIG. 5 is a top view thereof.

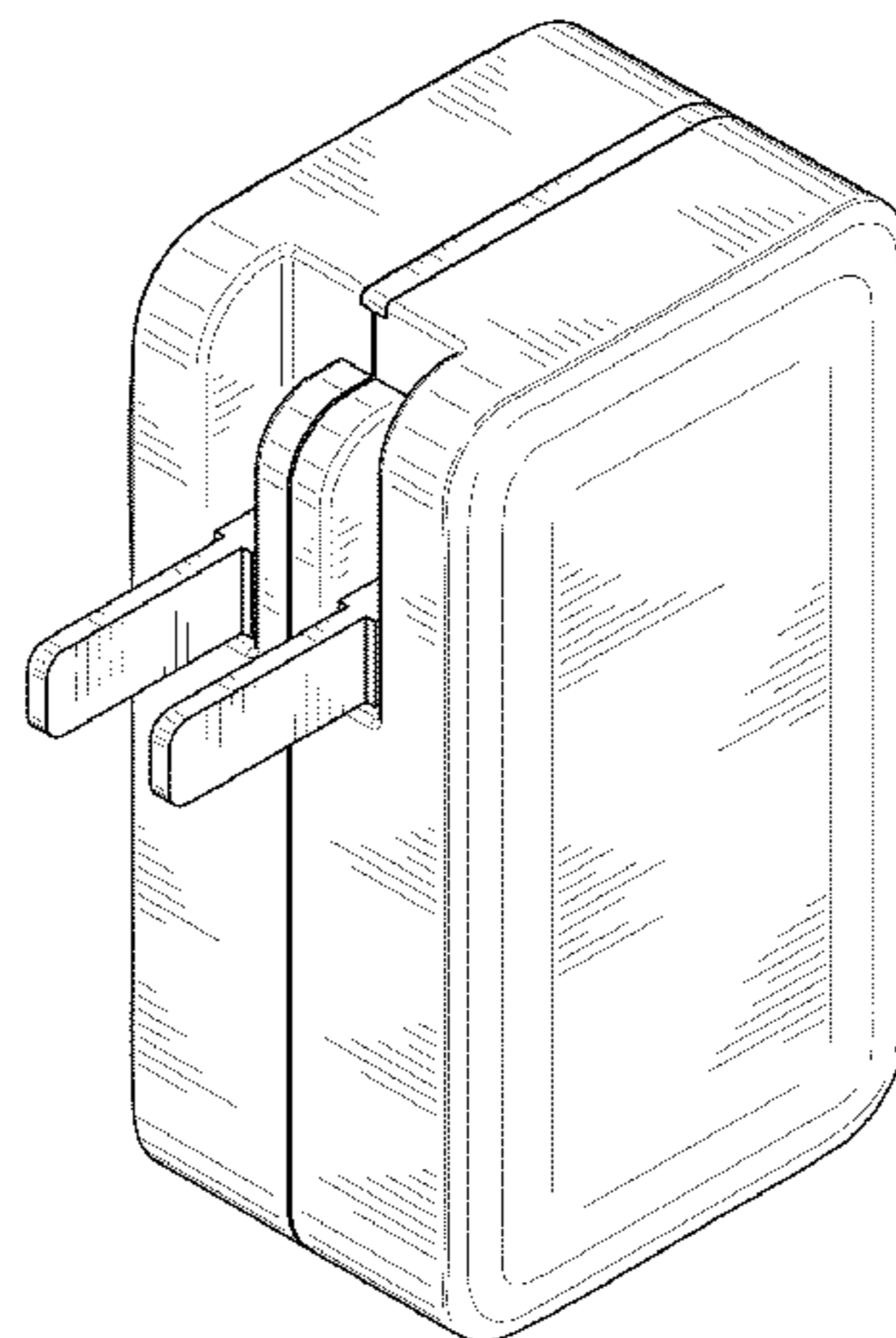
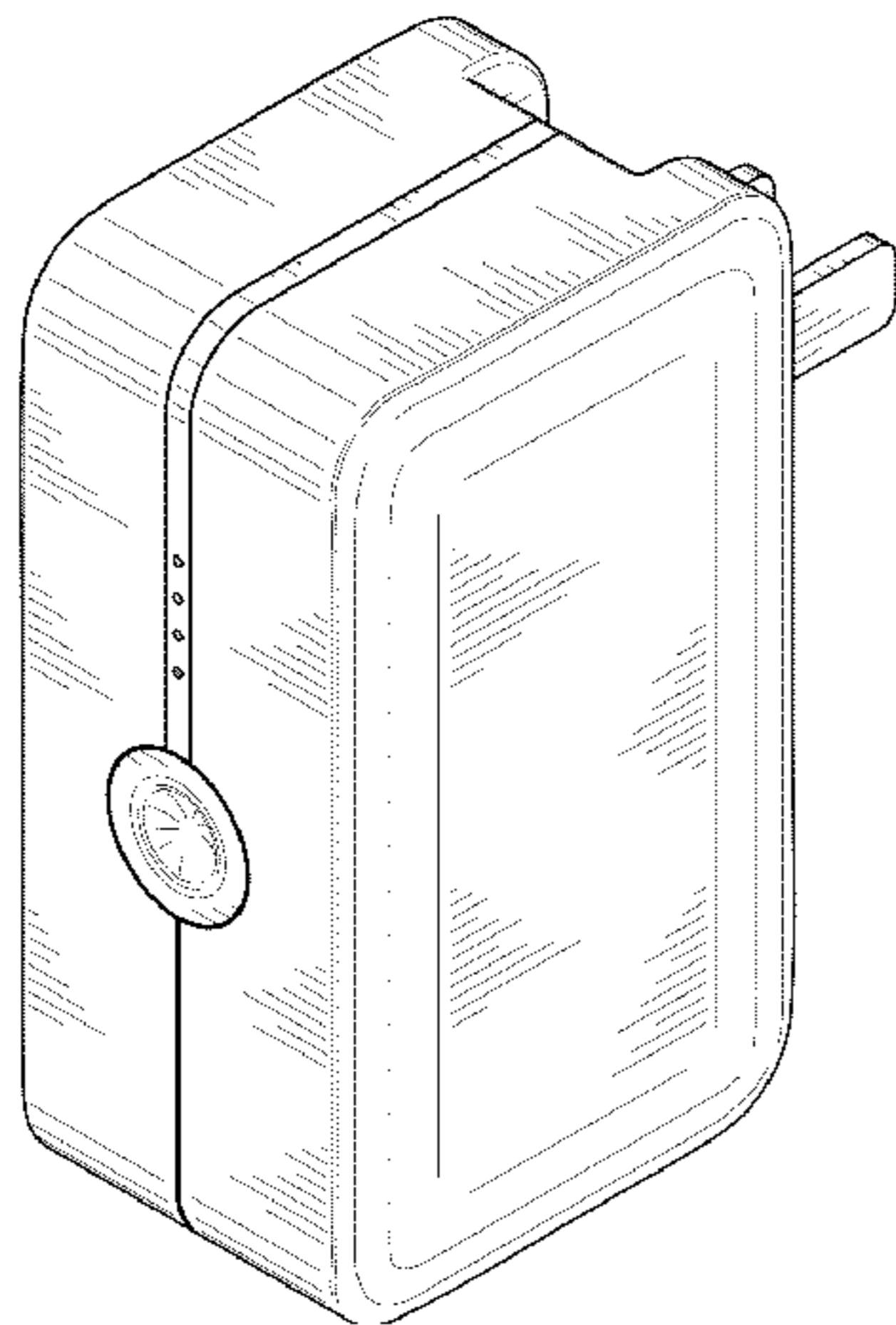
FIG. 6 is a bottom view thereof.

FIG. 7 is a left side view thereof.

FIG. 8 is a right side view thereof; and,

FIG. 9 is a front perspective view of the USB AC charger adaptor with built-in rechargeable battery, wherein the prongs are folded away in a closed position.

1 Claim, 5 Drawing Sheets



US D741,796 S

Page 2

(56)

References Cited

U.S. PATENT DOCUMENTS

			2005/0212480 A1*	9/2005	Kao	320/114
			2011/0300906 A1*	12/2011	Colgan	455/558
			2015/0228941 A1*	8/2015	Enari et al.	429/7
D735,130 S	*	7/2015	Huang	D13/108		
D736,154 S	*	8/2015	Levy et al.	D13/108		

* cited by examiner

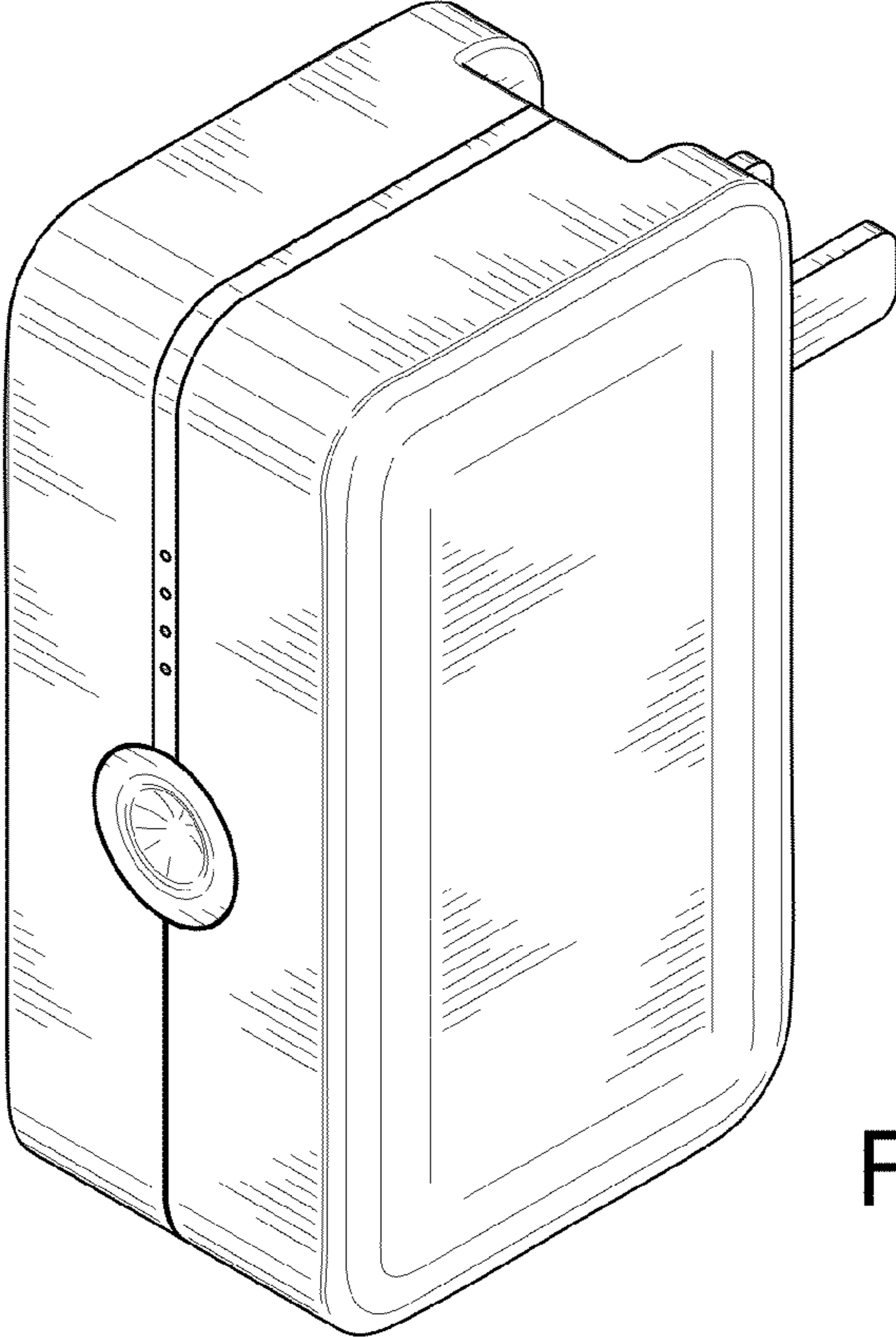


FIG. 1

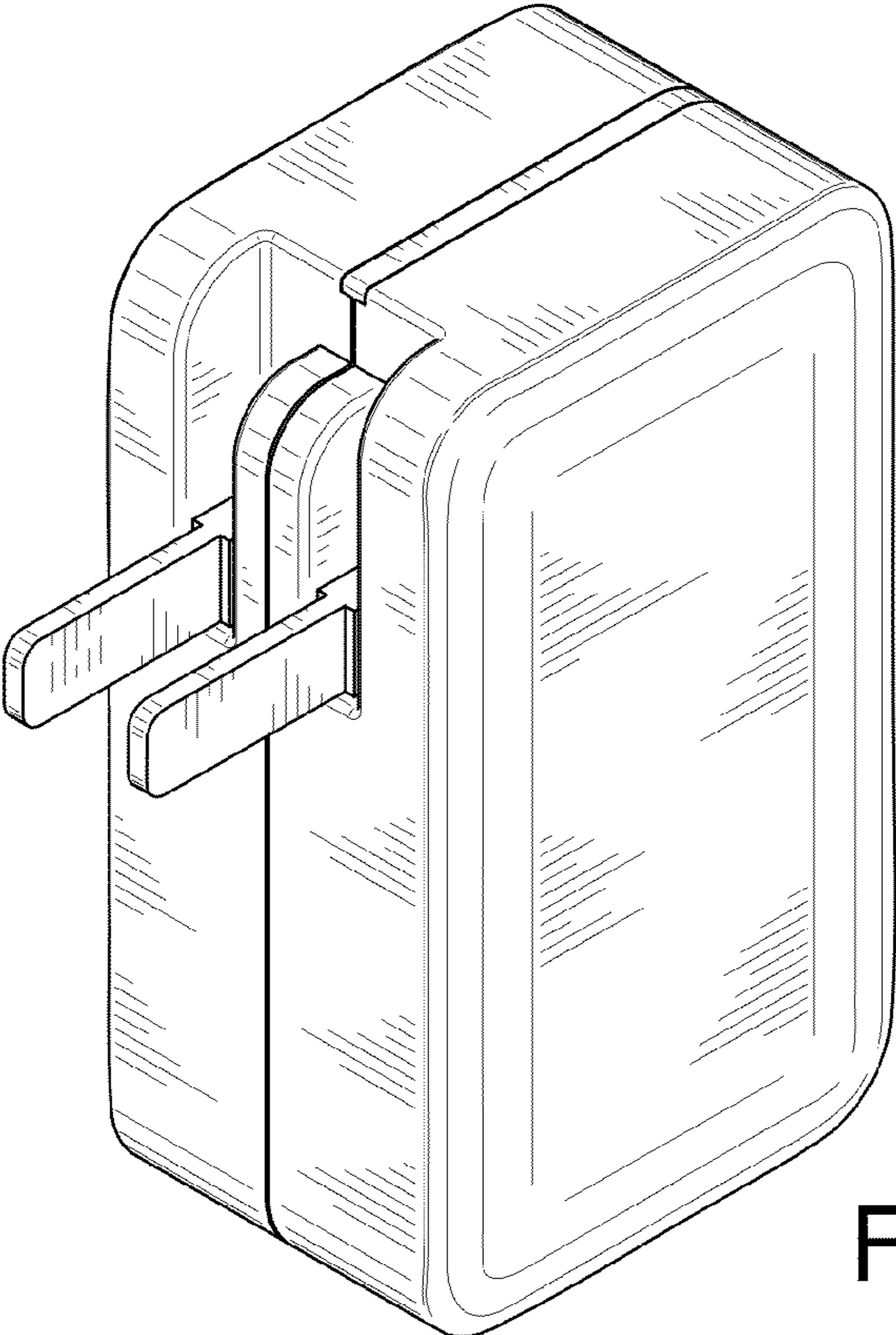


FIG. 2

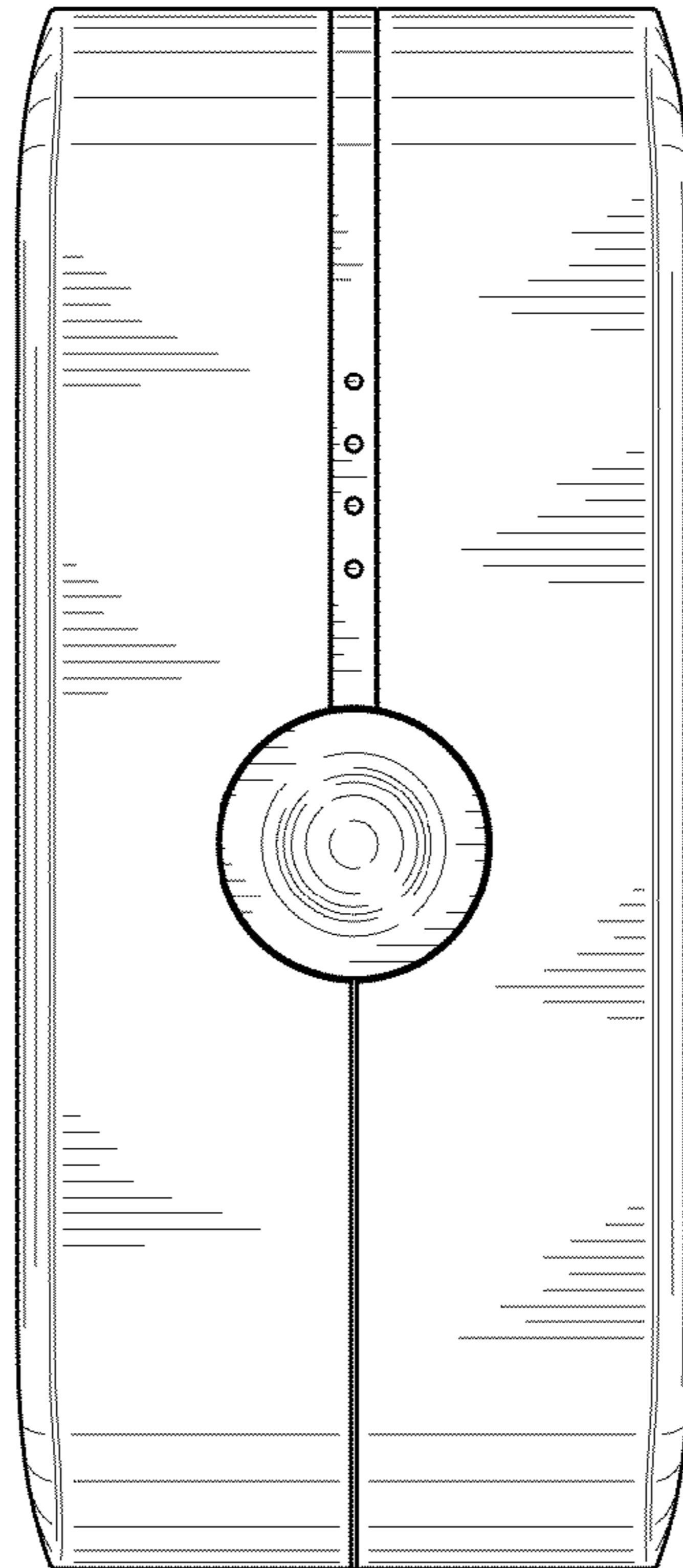


FIG. 3

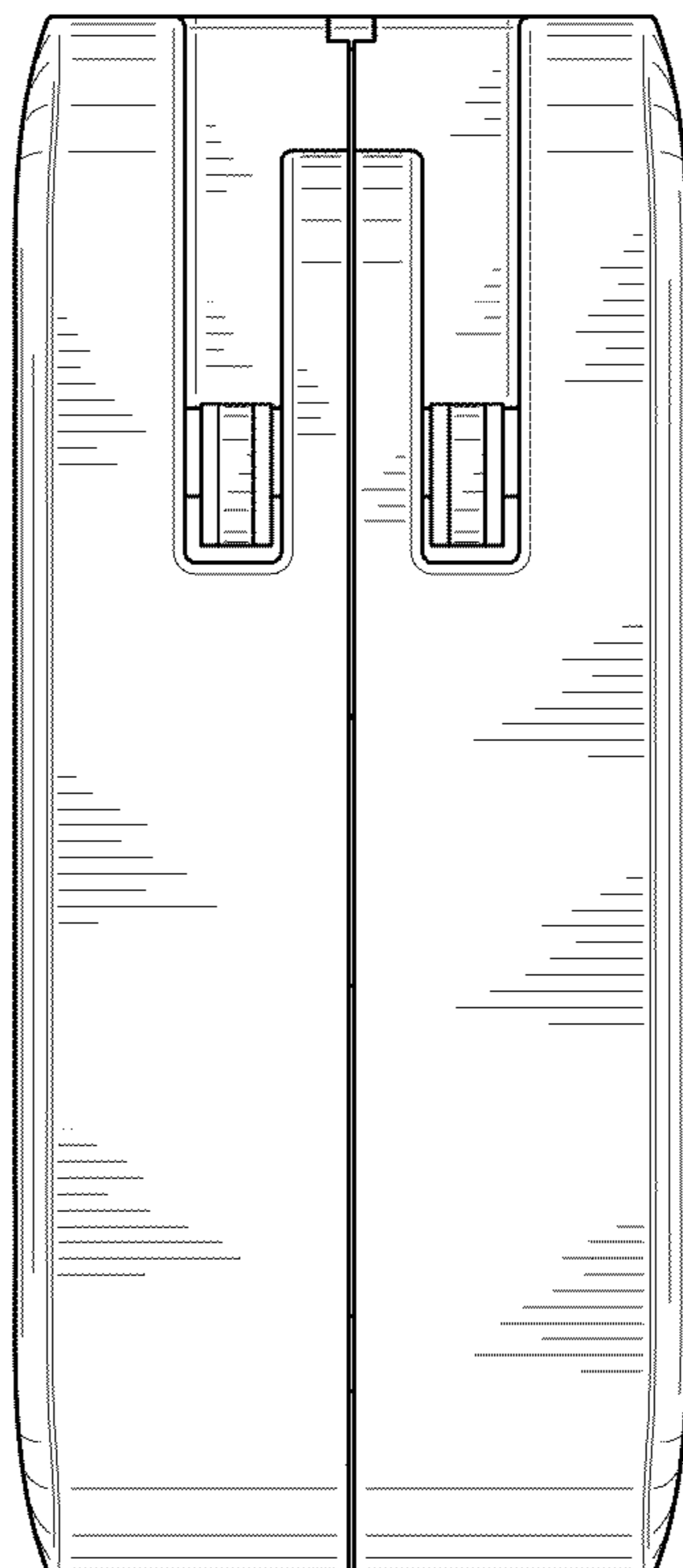


FIG. 4

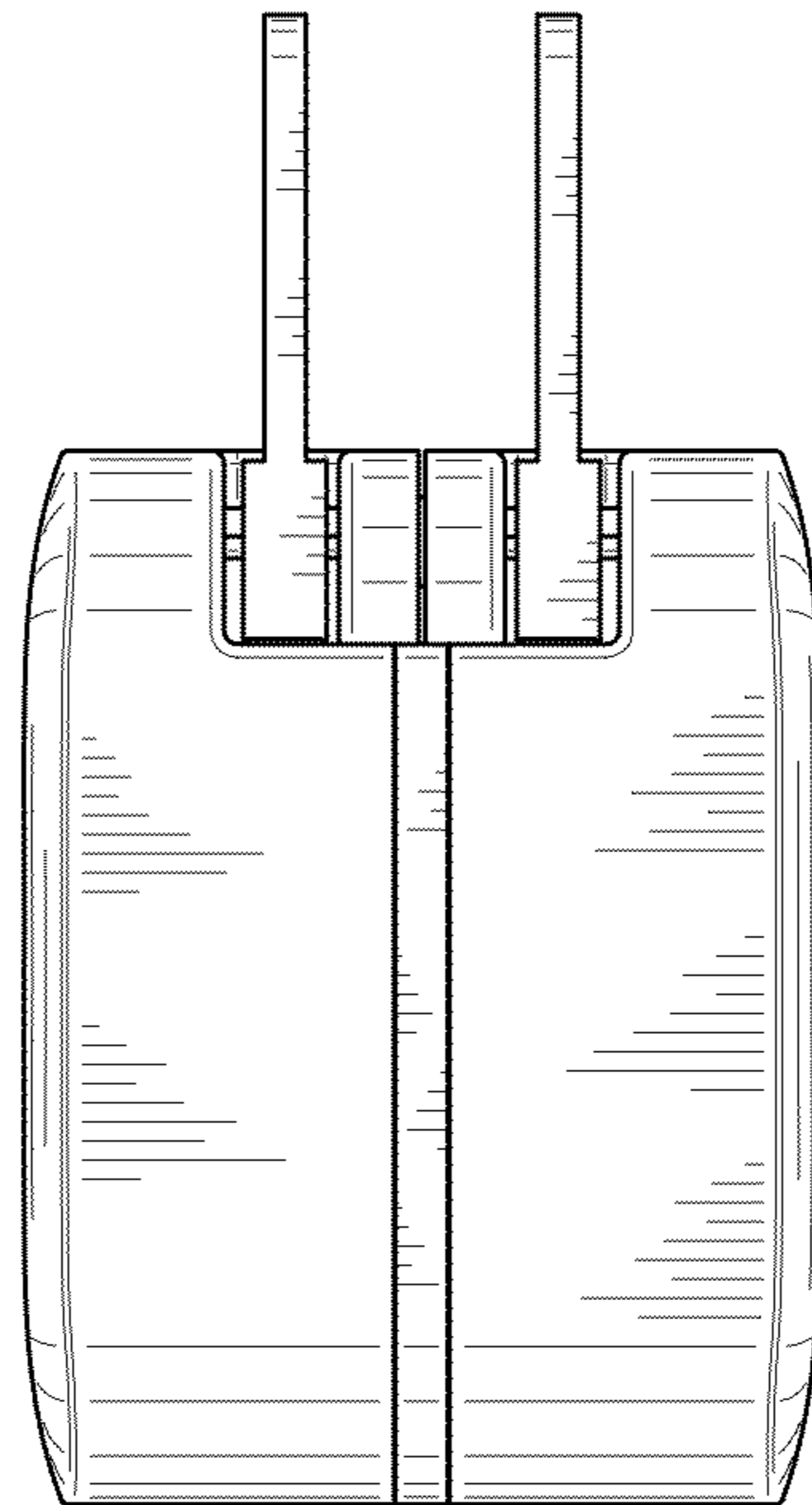


FIG. 5

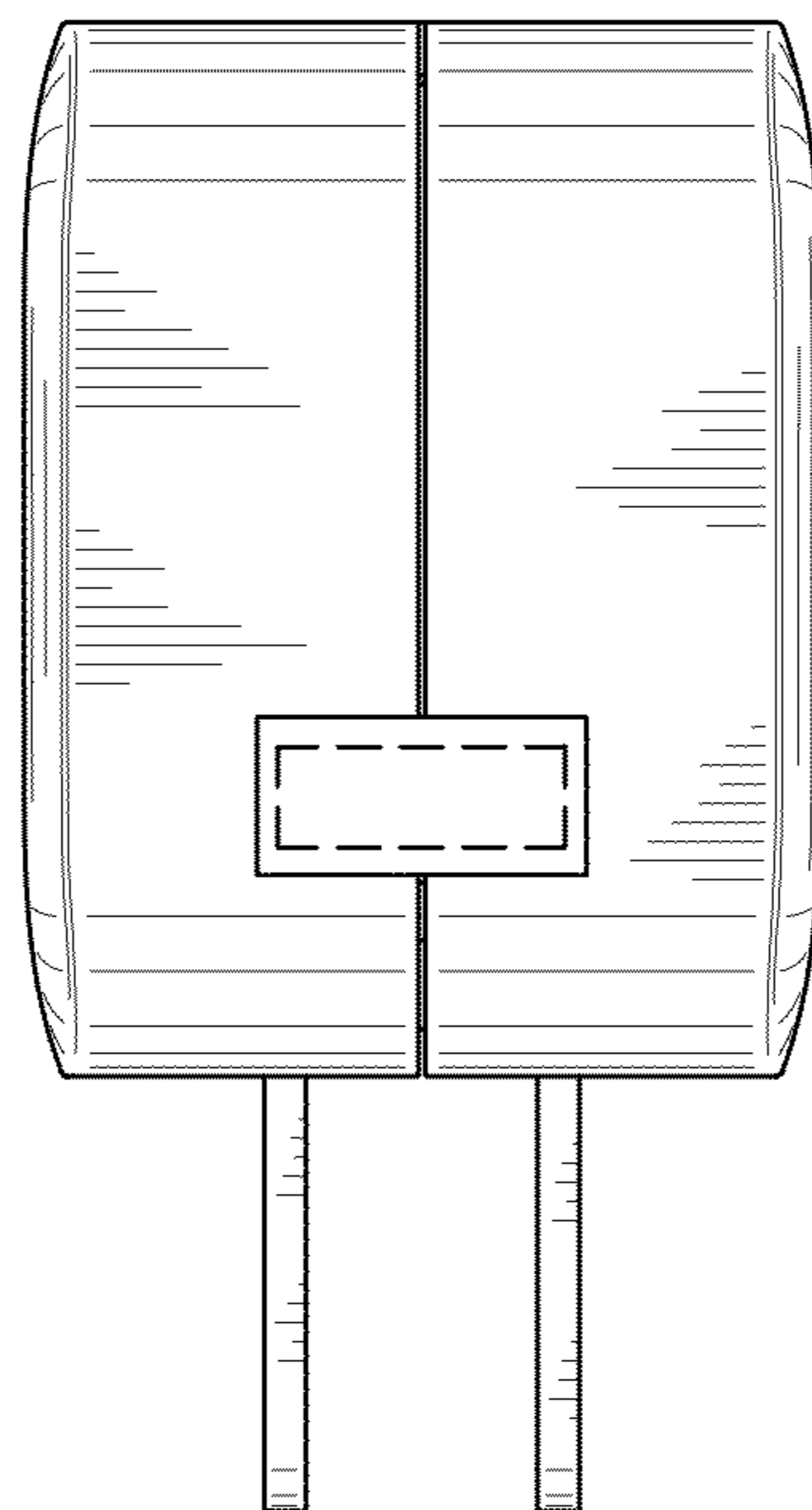


FIG. 6

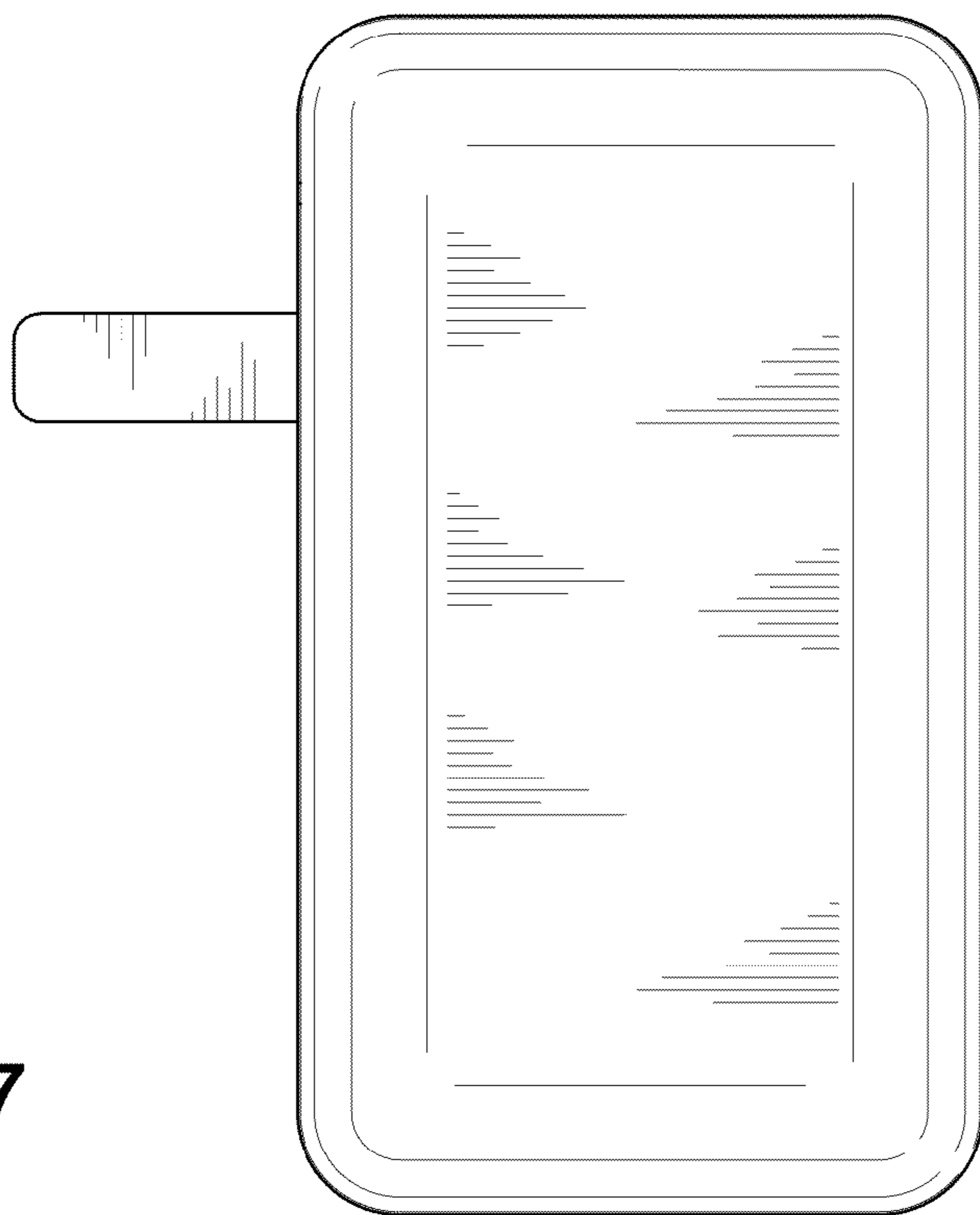


FIG. 7

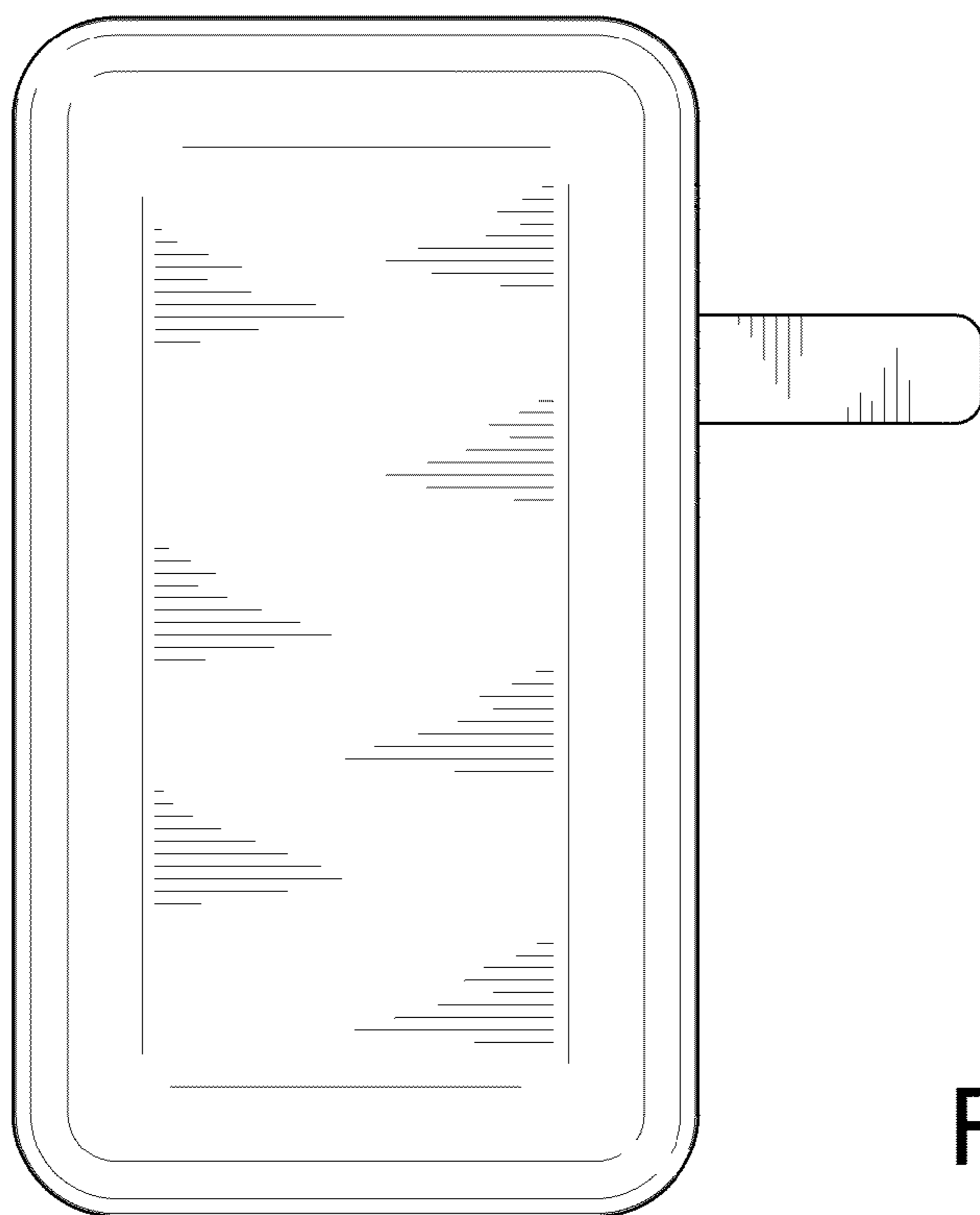


FIG. 8

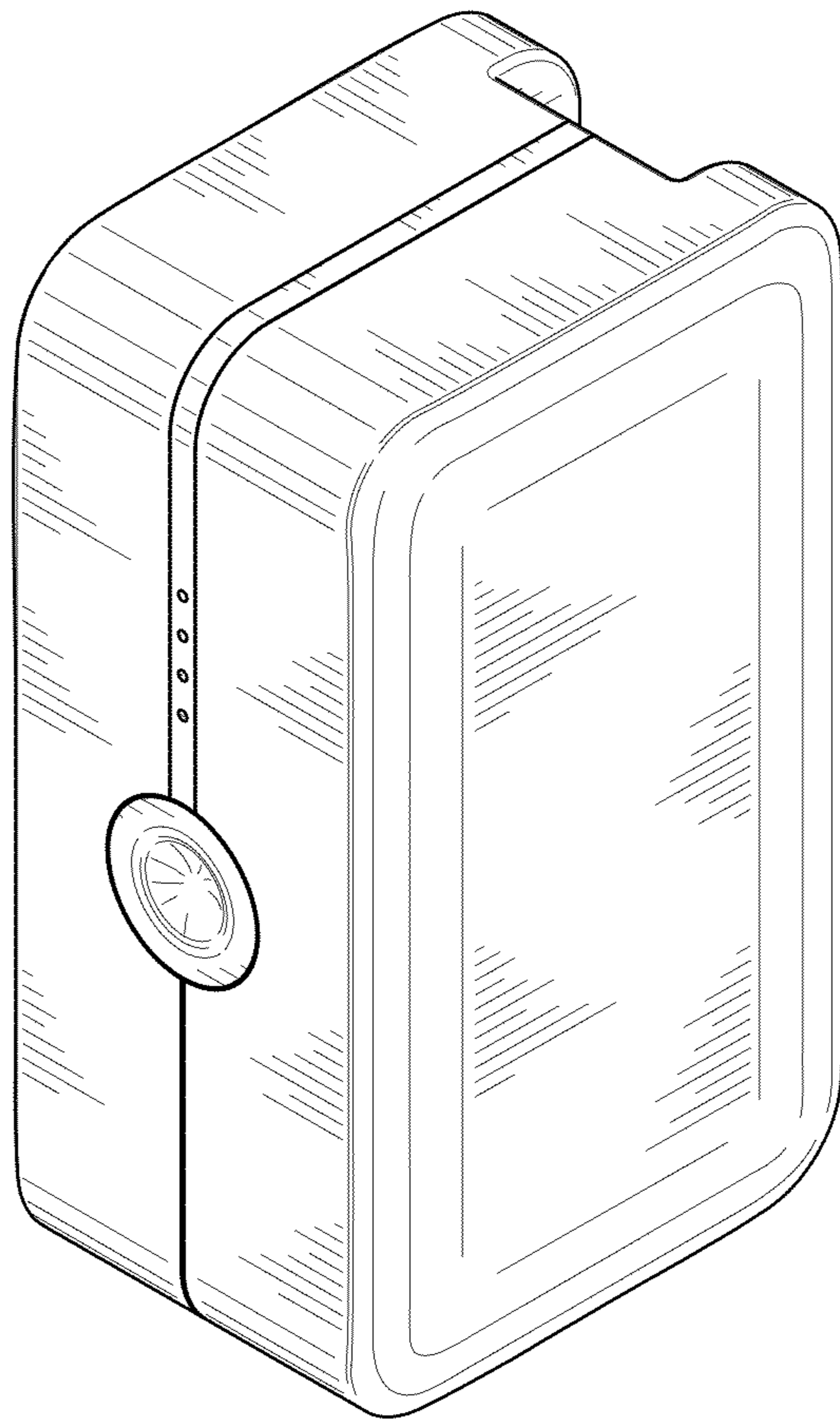


FIG. 9