



US00D741795S

(12) **United States Design Patent**
Conrad et al.

(10) **Patent No.:** **US D741,795 S**
(45) **Date of Patent:** **** Oct. 27, 2015**

(54) **RADIO CHARGER**

(71) Applicant: **Milwaukee Electric Tool Corporation,**
Brookfield, WI (US)

(72) Inventors: **Cole A. Conrad,** Milwaukee, WI (US);
Jason R. Crowe, Seattle, WA (US);
Justin D. Dorman, Wauwatosa, WI (US)

(73) Assignee: **Milwaukee Electric Tool Corporation,**
Brookfield, WI (US)

(**) Term: **14 Years**

(21) Appl. No.: **29/470,939**

(22) Filed: **Oct. 25, 2013**

(51) **LOC (10) Cl.** **13-02**

(52) **U.S. Cl.**

USPC **D13/108; D14/188**

(58) **Field of Classification Search**

USPC D13/107–110, 118–119, 182, 199;
D14/251, 253, 432, 434, 168, 172, 188,
D14/194, 196–198; 320/107–115

CPC Y02E 60/12; Y02T 90/14; Y02T 90/122;
Y02T 90/128; Y02T 90/163; H02J 7/025;
H02J 7/0042; H02J 7/0044; H02J 7/00045;
H02J 7/0003; H01F 38/14; H01R 13/6675;
H01M 2/1022; H01M 2/1055; H01M 10/44;
H01M 10/46; H01M 10/425; B60L 11/182;
H04R 1/02; H04R 9/06

See application file for complete search history.

(56) **References Cited**

U.S. PATENT DOCUMENTS

4,835,409 A 5/1989 Bhagwat et al.
5,603,095 A 2/1997 Uola
5,625,608 A 4/1997 Grewe et al.
D396,859 S * 8/1998 Isonaga D14/168

5,898,398 A 4/1999 Kumai
5,905,438 A 5/1999 Weiss et al.
5,909,183 A 6/1999 Borgstahl et al.
D418,836 S * 1/2000 Matt et al. D14/196
D423,451 S * 4/2000 Heckenast et al. D13/110
6,236,326 B1 5/2001 Murphy
6,308,059 B1 10/2001 Domes
6,366,792 B1 4/2002 Katsuki
6,427,070 B1 7/2002 Smith
6,456,837 B1 9/2002 Domes
D464,619 S * 10/2002 Krieger et al. D13/110
D464,620 S * 10/2002 Krieger et al. D13/110

(Continued)

FOREIGN PATENT DOCUMENTS

WO WO 2012071607 6/2012

Primary Examiner — Rosemary K Tarcza

(74) *Attorney, Agent, or Firm* — Michael Best & Friedrich LLP

(57) **CLAIM**

We claim the ornamental design for a radio charger, as shown and described.

DESCRIPTION

FIG. 1 is a perspective view of a radio charger according to an embodiment of the invention.

FIG. 2 is a front view of the radio charger shown in FIG. 1.

FIG. 3 is a rear view of the radio charger shown in FIG. 1.

FIG. 4 is a right side view of the radio charger shown in FIG. 1.

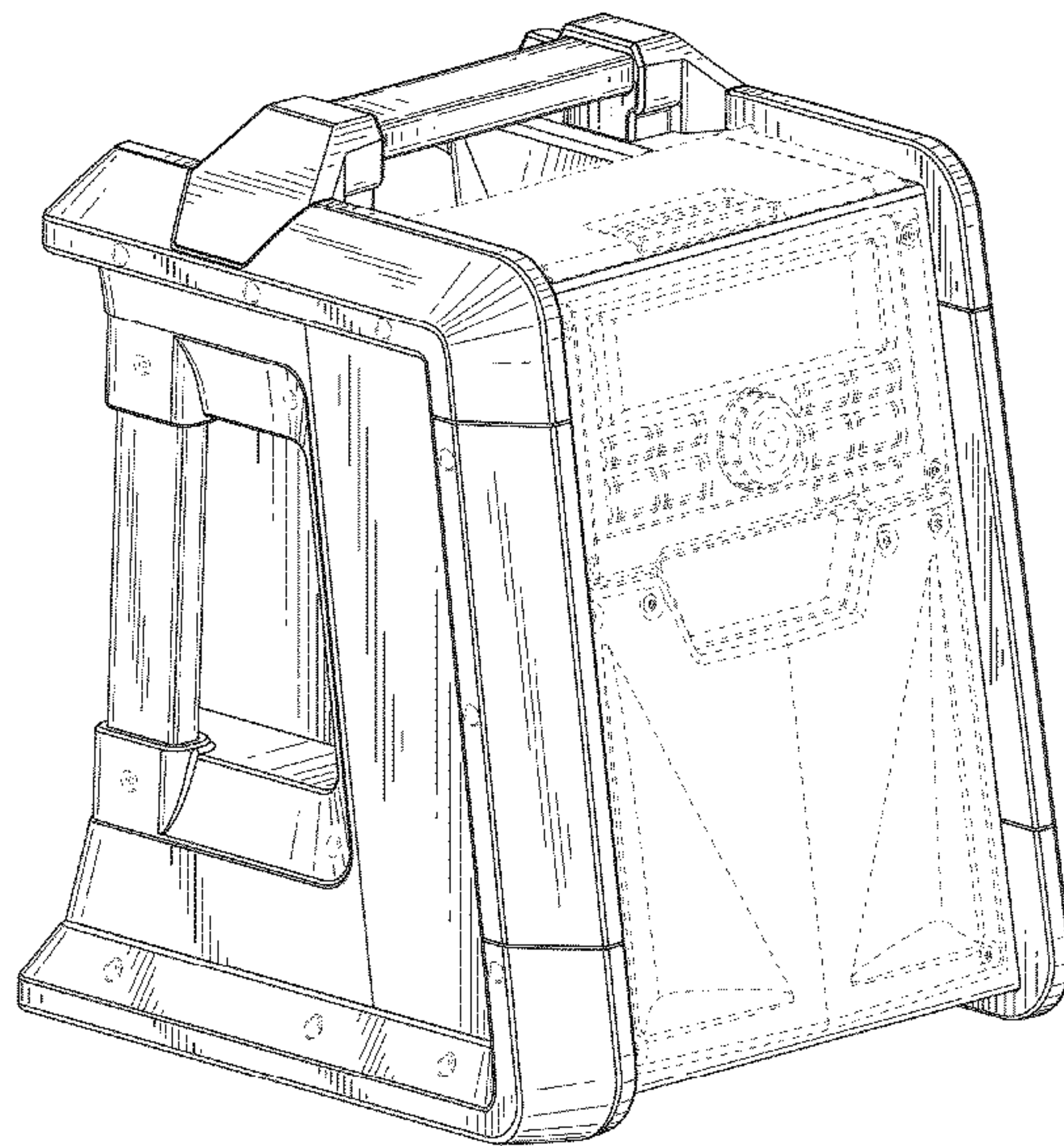
FIG. 5 is a left side view of the radio charger shown in FIG. 1.

FIG. 6 is a top view of the radio charger shown in FIG. 1; and,

FIG. 7 is a bottom view of the radio charger shown in FIG. 1.

The elements shown in broken lines are included for the purpose of illustrating environment and form no part of the claimed design.

1 Claim, 7 Drawing Sheets



(56)

References Cited

U.S. PATENT DOCUMENTS

D464,935	S *	10/2002	Krieger et al.	D13/110	8,219,071	B2	7/2012	Kokubo	
6,496,688	B2	12/2002	Smith		8,238,894	B2	8/2012	Louch et al.	
6,697,617	B2	2/2004	Liebenow		8,265,617	B2	9/2012	Lazaridis et al.	
6,788,925	B2	9/2004	Domes		D674,371	S *	1/2013	Cho et al.	D14/188
6,871,060	B1	3/2005	Strohmeier		8,355,965	B2	1/2013	Yamada	
6,876,873	B2	4/2005	Suzuki		8,390,246	B2	3/2013	Taguchi et al.	
6,977,481	B2	12/2005	Smith		8,415,923	B2	4/2013	Forsythe	
6,982,541	B2	1/2006	Zick et al.		RE44,557	E	10/2013	Domes	
7,003,598	B2	2/2006	Kavanagh		D691,983	S *	10/2013	Vaughan et al.	D14/172
7,010,329	B2	3/2006	Livet et al.		D702,181	S *	4/2014	Maki	D13/107
7,027,843	B2	4/2006	Cromer et al.		D706,710	S *	6/2014	Inskeep	D13/107
D520,445	S	5/2006	Van Wambeke et al.		D723,506	S *	3/2015	Aglassinger	D14/188
7,043,283	B2	5/2006	Domes		D726,142	S *	4/2015	Itoh et al.	D14/196
7,133,703	B2	11/2006	Aoshima et al.		2002/0023265	A1	2/2002	Metcalf	
D533,161	S *	12/2006	Concari et al.	D14/188	2003/0192061	A1	10/2003	Hwangbo et al.	
7,194,259	B2	3/2007	DeLine		2004/0242286	A1	12/2004	Benco et al.	
7,251,505	B2	7/2007	Shin et al.		2005/0060238	A1	3/2005	Gravina et al.	
7,277,726	B2	10/2007	Ahya et al.		2005/0078834	A1	4/2005	Hirschburger et al.	
D554,583	S *	11/2007	Solland et al.	D13/108	2005/0083639	A1	4/2005	Zick et al.	
7,332,889	B2	2/2008	Glasgow et al.		2005/0225288	A1	10/2005	Cole, Jr. et al.	
7,356,334	B2	4/2008	Yamashita		2006/0135218	A1	6/2006	Son et al.	
D578,551	S *	10/2008	Bonzer	D15/9	2007/0055743	A1	3/2007	Pirtle et al.	
7,466,974	B2	12/2008	Smith		2007/0096691	A1	5/2007	Duncan et al.	
7,471,063	B2	12/2008	Zick et al.		2007/0257808	A1	11/2007	Lin	
D585,822	S *	2/2009	Hsu	D13/107	2008/0007431	A1	1/2008	Jacques	
7,557,537	B2	7/2009	Zick et al.		2008/0045202	A1	2/2008	Chan et al.	
7,602,148	B2	10/2009	Deprun		2008/0075295	A1	3/2008	Mayman et al.	
7,605,742	B2	10/2009	Chuang et al.		2008/0100261	A1	5/2008	Glasgow et al.	
7,609,027	B2	10/2009	Zick et al.		2008/0109734	A1	5/2008	Castagno	
7,650,145	B2	1/2010	Ukita et al.		2008/0268917	A1	10/2008	Chang et al.	
D609,632	S *	2/2010	Daniels et al.	D13/107	2008/0318642	A1	12/2008	Tanaka	
D609,634	S *	2/2010	Daniels et al.	D13/107	2009/0023389	A1	1/2009	Paryani	
D609,635	S *	2/2010	Daniels et al.	D13/107	2009/0066529	A1	3/2009	Fukada	
7,680,490	B2	3/2010	Bloebaum et al.		2009/0098914	A1	4/2009	Martin-Cocher et al.	
7,685,341	B2	3/2010	Steinberg et al.		2009/0128090	A1	5/2009	Bi	
7,715,884	B2	5/2010	Book et al.		2009/0240502	A1	9/2009	Kemplin	
7,741,809	B2	6/2010	Zick et al.		2009/0290745	A1 *	11/2009	Weir et al.	381/387
7,808,205	B2	10/2010	Rao et al.		2009/0319063	A1	12/2009	Pan	
7,835,534	B2	11/2010	Cole, Jr. et al.		2010/0181964	A1	7/2010	Huggins et al.	
7,852,271	B2	12/2010	Grunig et al.		2010/0194667	A1	8/2010	Lee et al.	
7,868,590	B2	1/2011	Zick et al.		2010/0281287	A1	11/2010	Doerksen et al.	
7,907,060	B2	3/2011	Reams		2010/0283624	A1	11/2010	Krueger	
7,915,855	B2	3/2011	Yoon et al.		2010/0297941	A1	11/2010	Doan et al.	
D636,332	S *	4/2011	Hsu	D13/109	2010/0302980	A1	12/2010	Ji et al.	
7,929,998	B1	4/2011	Edwards		2011/0050478	A1	3/2011	Choi et al.	
7,930,369	B2	4/2011	Marriott et al.		2011/0068742	A1	3/2011	McCurry et al.	
7,941,220	B2	5/2011	Tobacman		2011/0081875	A1	4/2011	Imamura et al.	
8,032,189	B2	10/2011	Guthrie et al.		2011/0128007	A1	6/2011	Nishidai et al.	
D649,931	S *	12/2011	James	D13/107	2011/0138317	A1	6/2011	Kang et al.	
8,072,341	B2	12/2011	Sheng		2011/0254692	A1	10/2011	Furuta	
D653,203	S *	1/2012	DuMelle et al.	D13/107	2011/0285570	A1	11/2011	Shirai et al.	
D653,612	S *	2/2012	DuMelle et al.	D13/107	2011/0304443	A1	12/2011	Sheridan et al.	
8,112,032	B2	2/2012	Ko et al.		2011/0313697	A1	12/2011	Staton et al.	
8,135,443	B2	3/2012	Aleksic et al.		2011/0316664	A1	12/2011	Olcott et al.	
8,140,129	B2	3/2012	Suzuki et al.		2012/0025957	A1	2/2012	Yang	
8,155,592	B2	4/2012	Basine		2012/0033140	A1	2/2012	Xu	
8,155,636	B2	4/2012	Cheng		2012/0043937	A1	2/2012	Williams	
8,169,188	B2	5/2012	Kogan et al.		2012/0115549	A1	5/2012	Kim et al.	
8,177,182	B1	5/2012	Wood et al.		2012/0131364	A1	5/2012	Gromat et al.	
8,199,958	B2	6/2012	Weir et al.		2012/0174165	A1	7/2012	Mondragon et al.	
8,200,292	B2	6/2012	Wu et al.		2012/0187851	A1	7/2012	Huggins et al.	
8,203,307	B2	6/2012	Zick et al.		2012/0208481	A1	8/2012	Bose	
					2012/0217971	A1	8/2012	Deluca	
					2012/0224698	A1	9/2012	Yang	

* cited by examiner

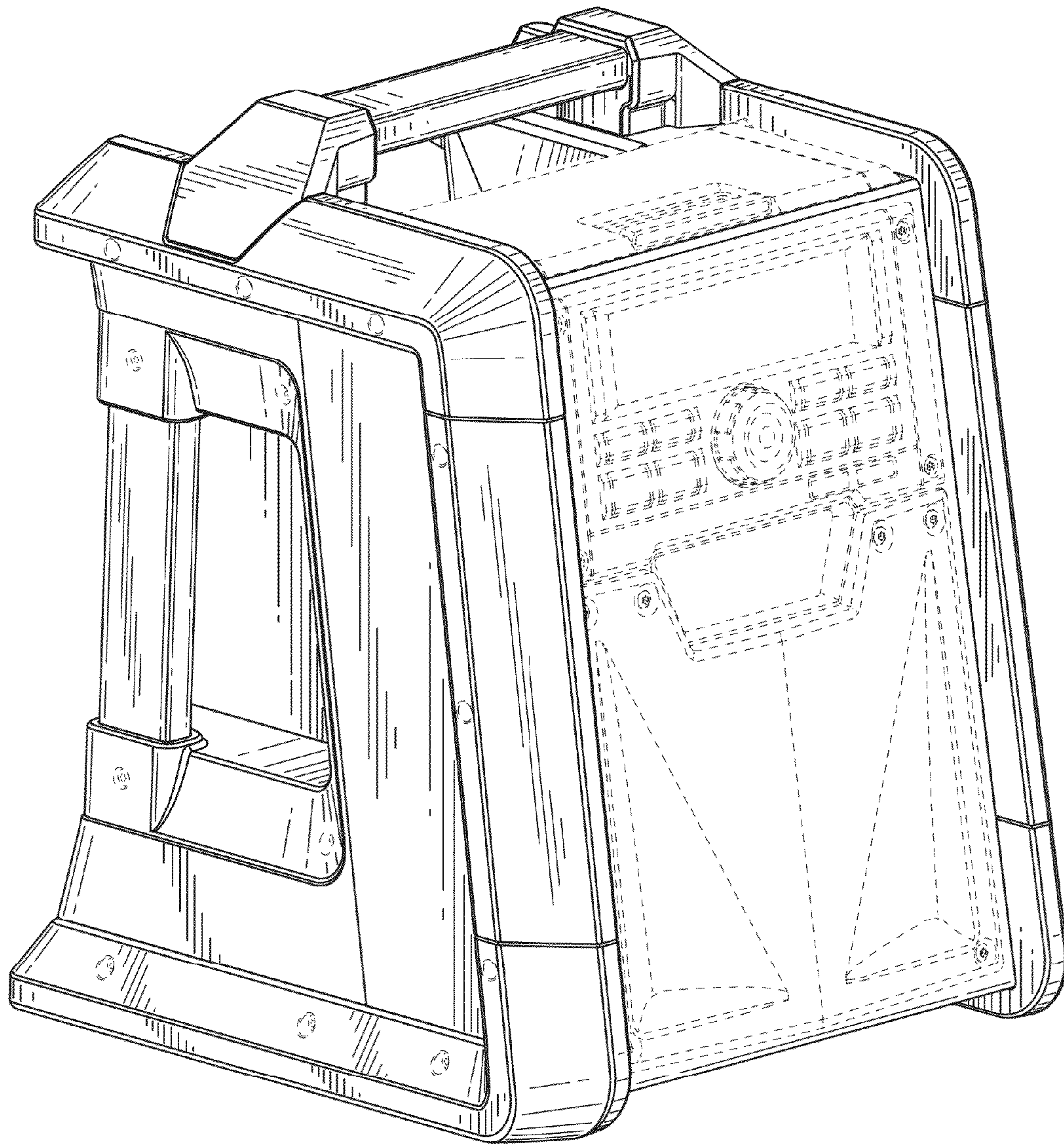


FIG. 1

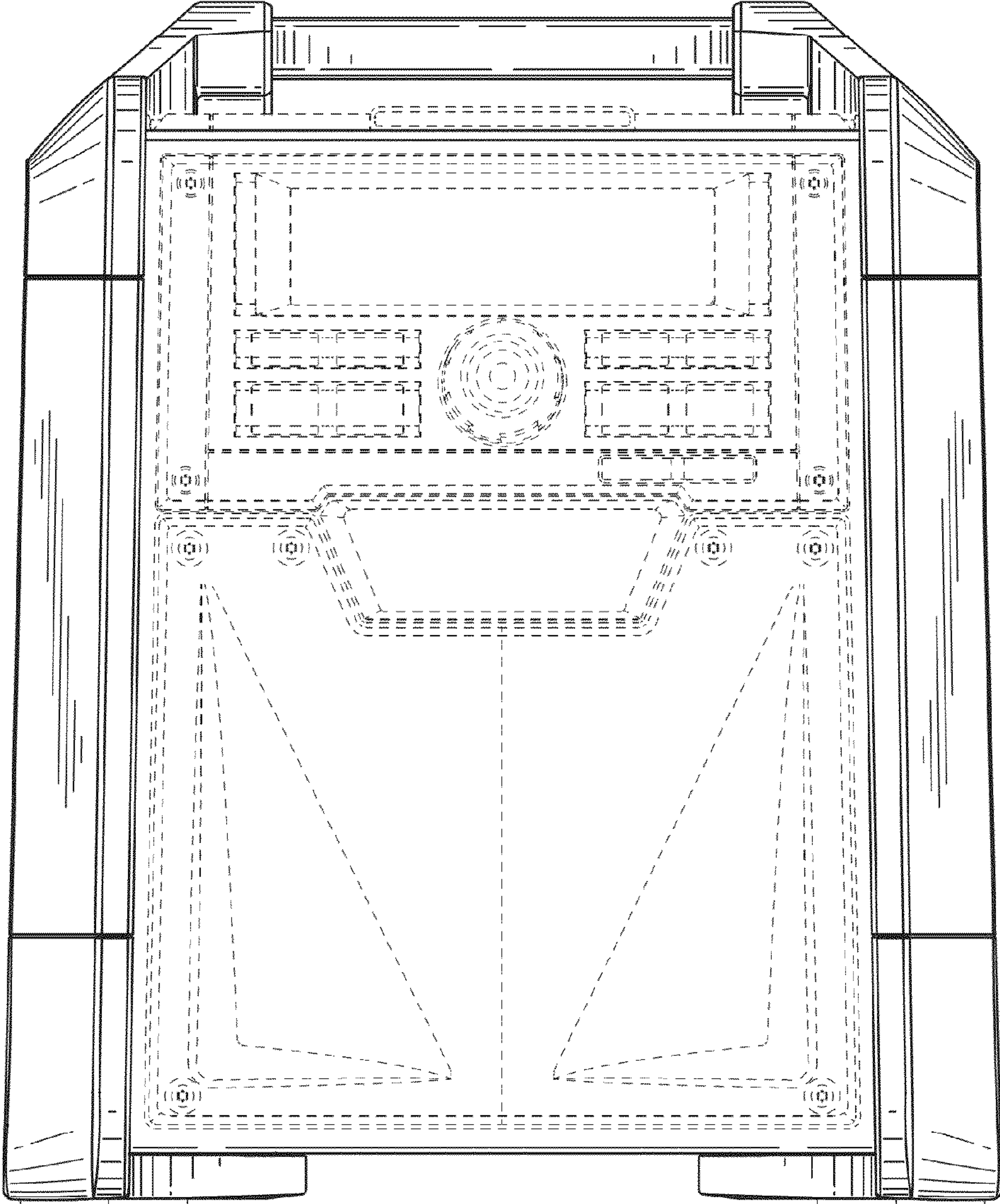


FIG. 2

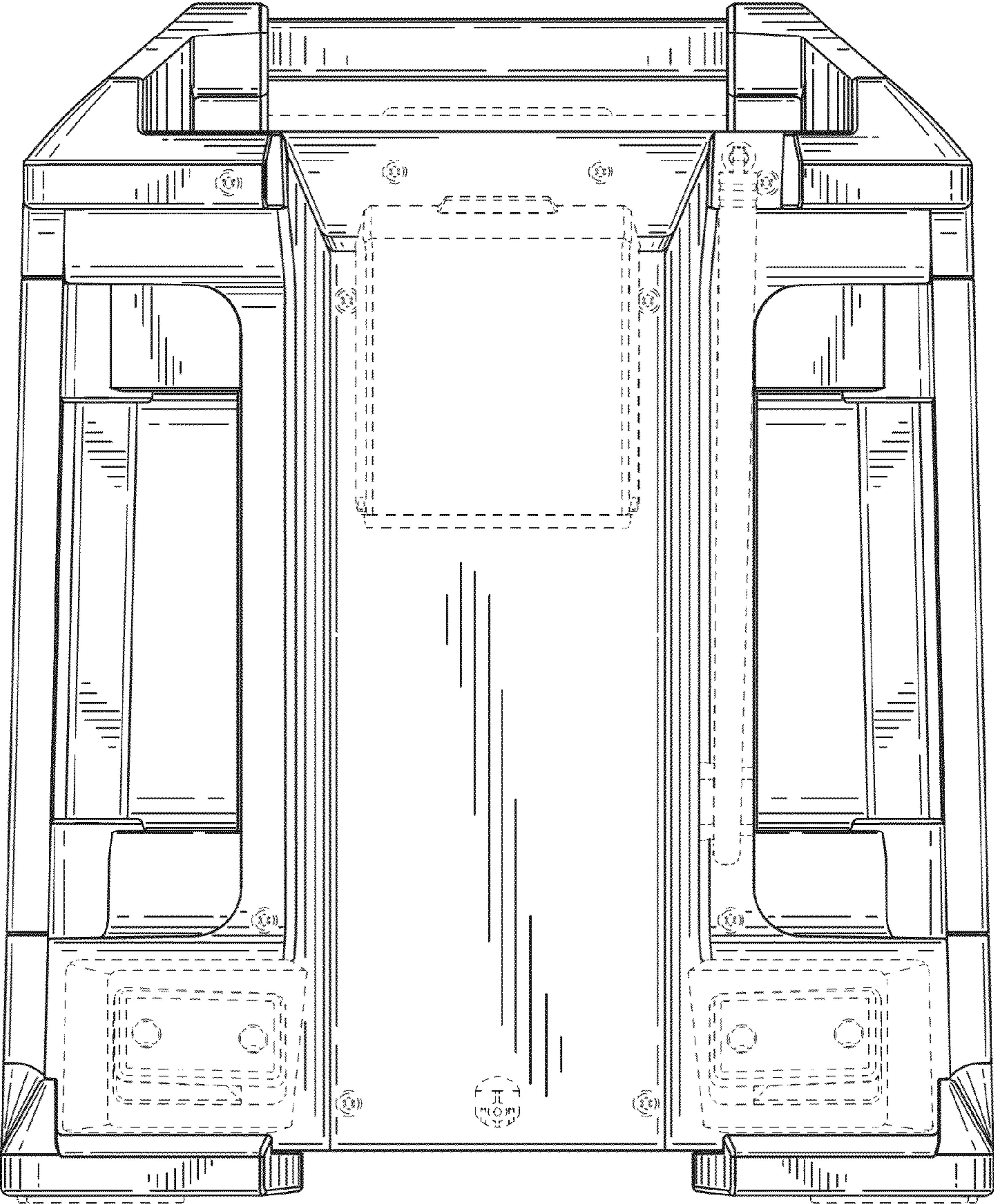


FIG. 3

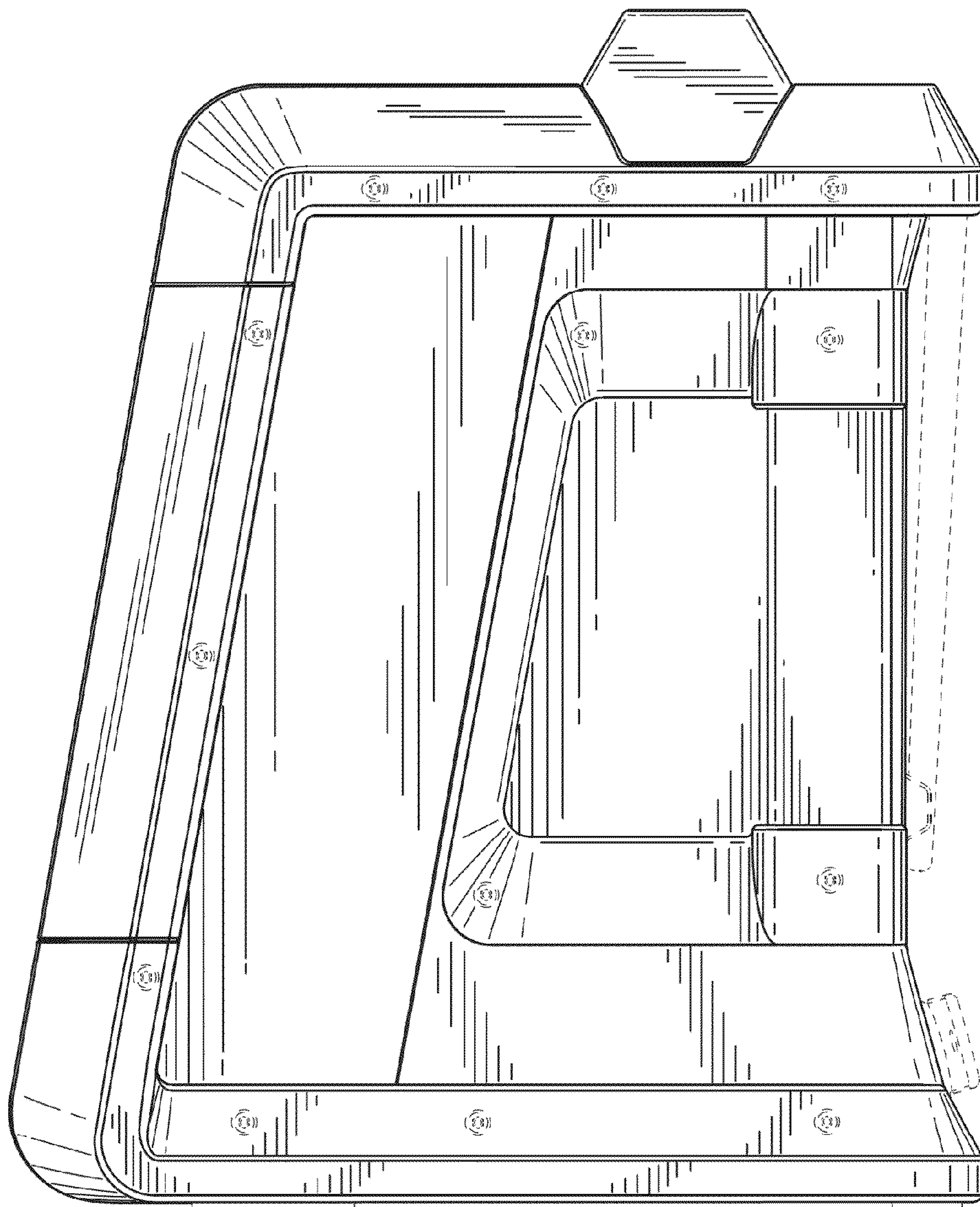


FIG. 4

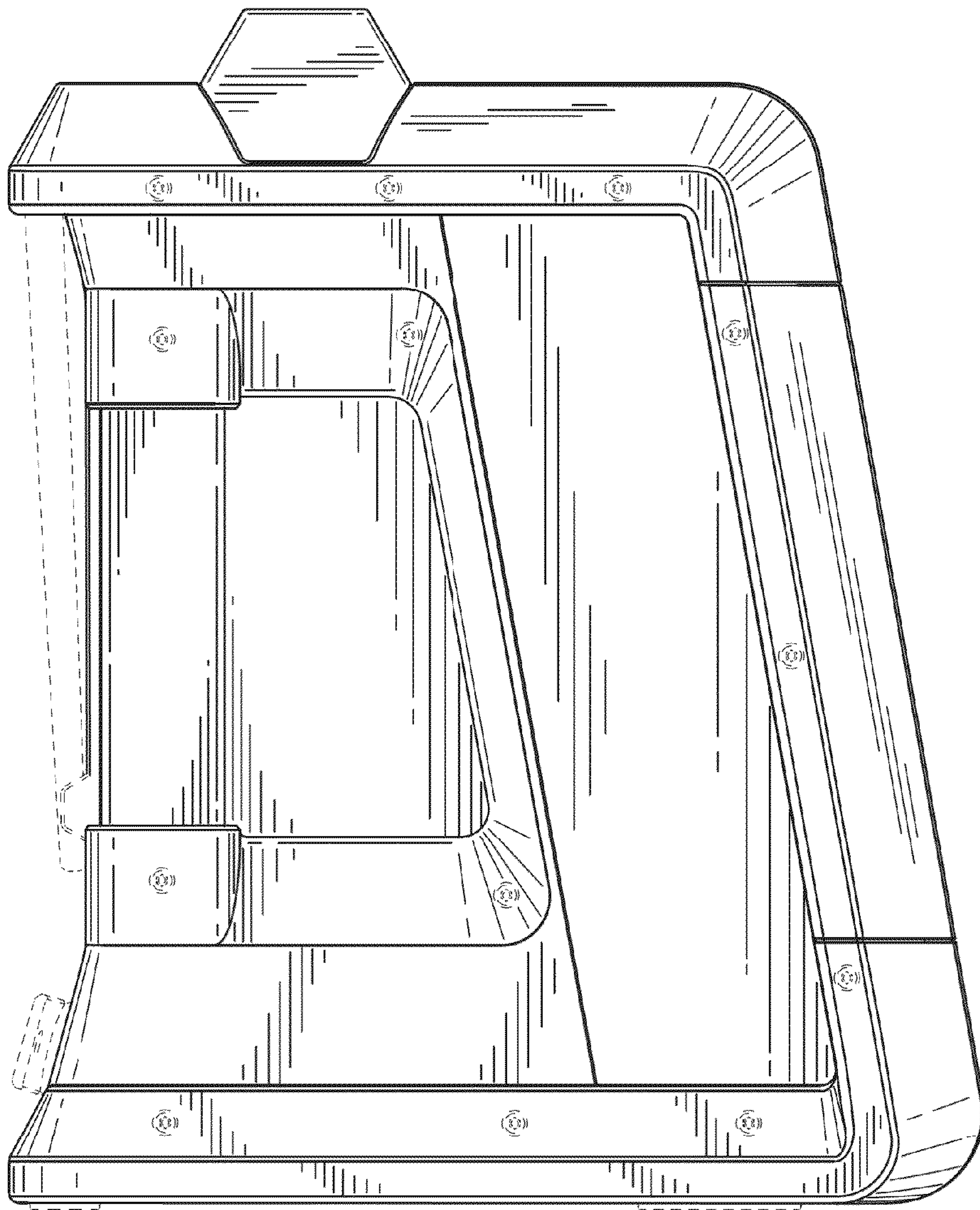


FIG. 5

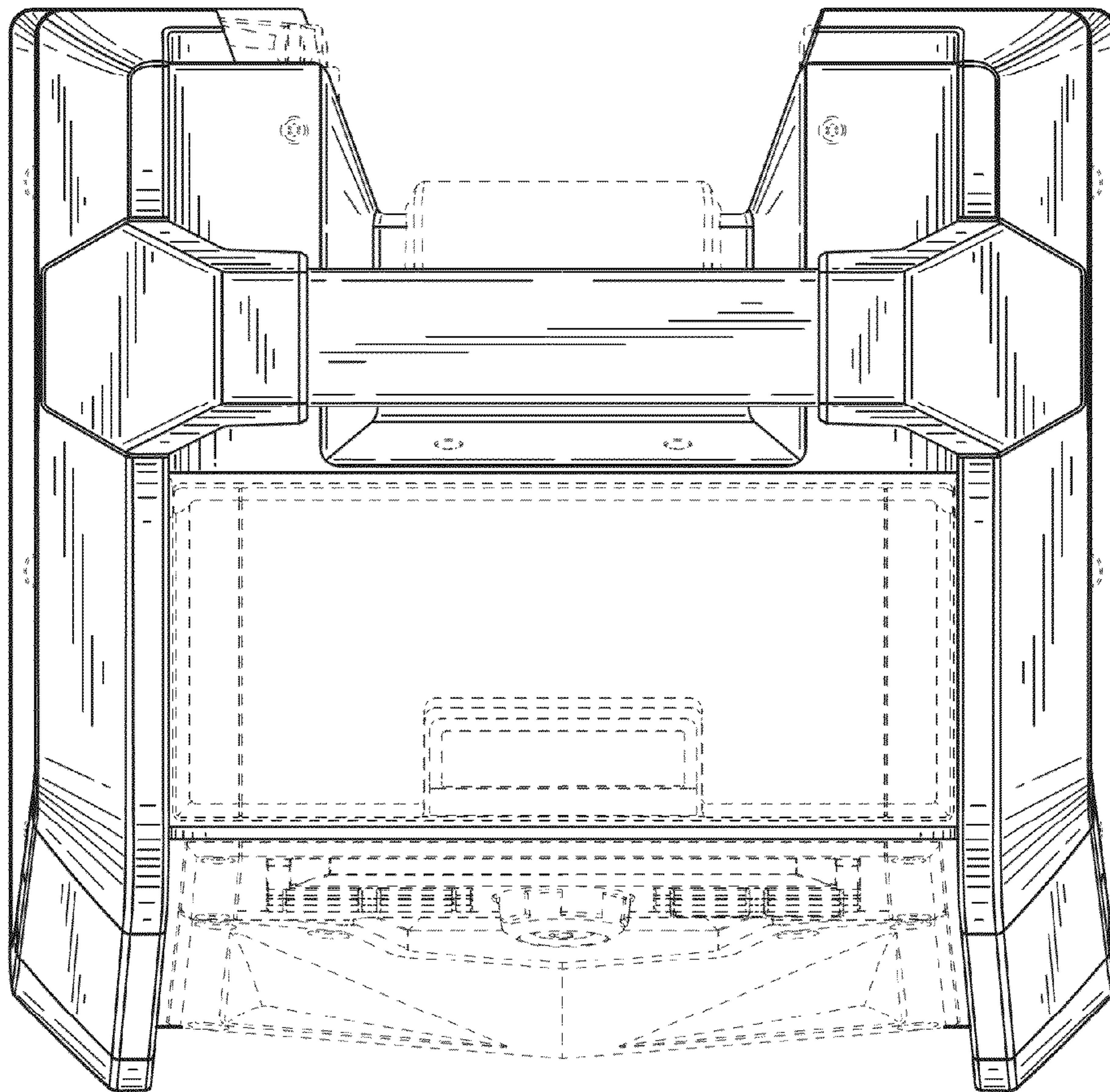


FIG. 6

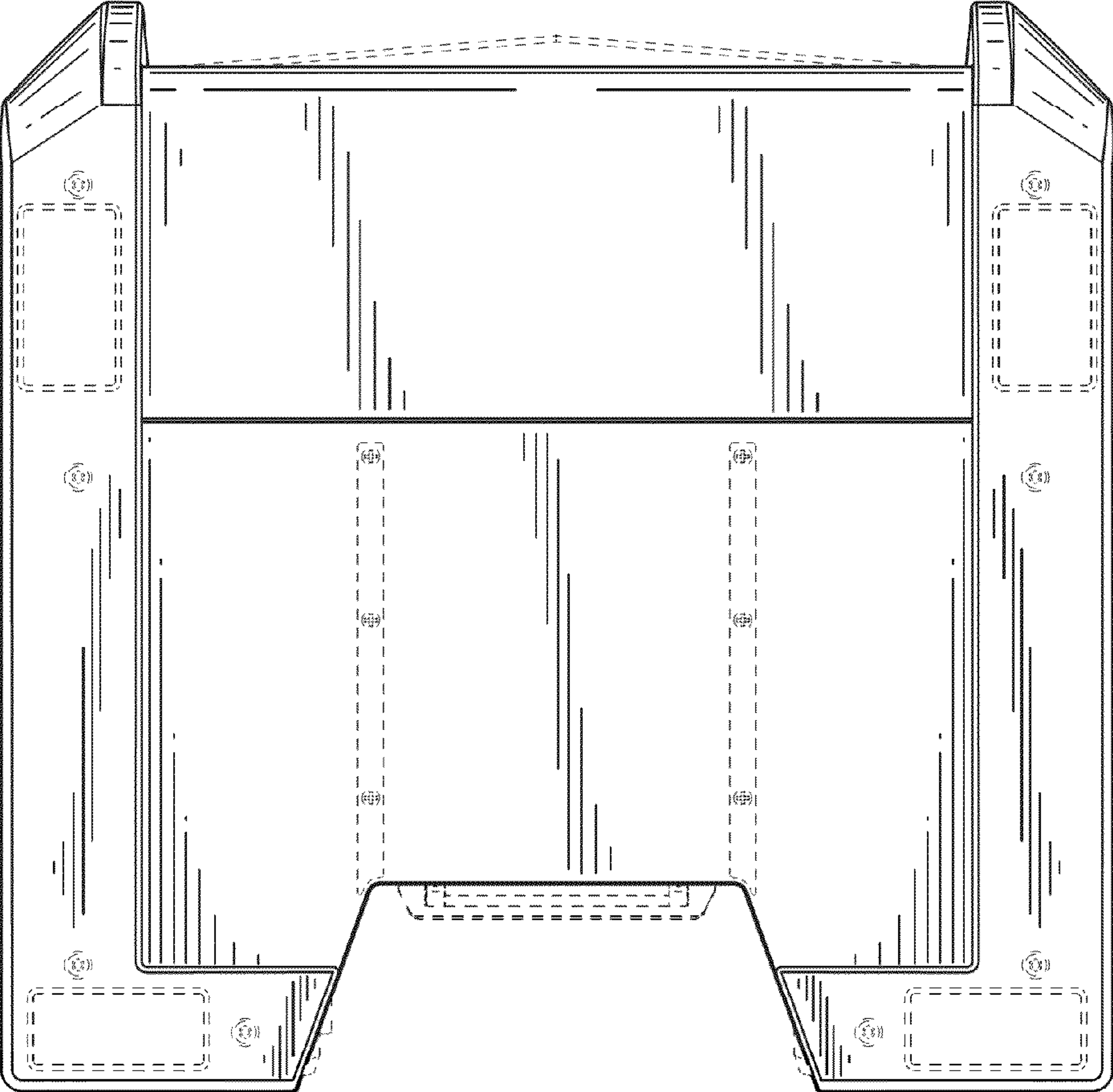


FIG. 7