



US00D741788S

(12) **United States Design Patent**
Lo Vercio

(10) **Patent No.:** **US D741,788 S**

(45) **Date of Patent:** **** Oct. 27, 2015**

(54) **TYRE TREAD**

(71) Applicant: **BRIDGESTONE CORPORATION**,
Chuo-Ku, Tokyo (JP)

(72) Inventor: **Gianluca Lo Vercio**, Rome (IT)

(73) Assignee: **BRIDGESTONE CORPORATION**,
Tokyo (JP)

(**) Term: **14 Years**

(21) Appl. No.: **29/458,692**

(22) Filed: **Jun. 21, 2013**

(30) **Foreign Application Priority Data**

Dec. 21, 2012 (EM) 002158840

(51) **LOC (10) Cl.** **12-15**

(52) **U.S. Cl.**
USPC **D12/583**

(58) **Field of Classification Search**
USPC D12/568-602; 152/209.1-209.28, 455,
152/523

CPC B60C 1/00

See application file for complete search history.

(56) **References Cited**

U.S. PATENT DOCUMENTS

D305,220 S * 12/1989 Kemp D12/583
D501,446 S * 2/2005 Wage D12/583

* cited by examiner

Primary Examiner — George D Kirschbaum

(74) *Attorney, Agent, or Firm* — Sughrue Mion, PLLC

(57) **CLAIM**

The ornamental design for a tyre tread, as shown and described.

DESCRIPTION

FIG. 1 is a perspective view of the tyre tread of the present design, it being understood that the tread pattern is repeated throughout the circumference of the tire tread;

FIG. 2 is a front view thereof;

FIG. 3 is a top view thereof;

FIG. 4 is a rear view thereof;

FIG. 5 is a left lateral view thereof;

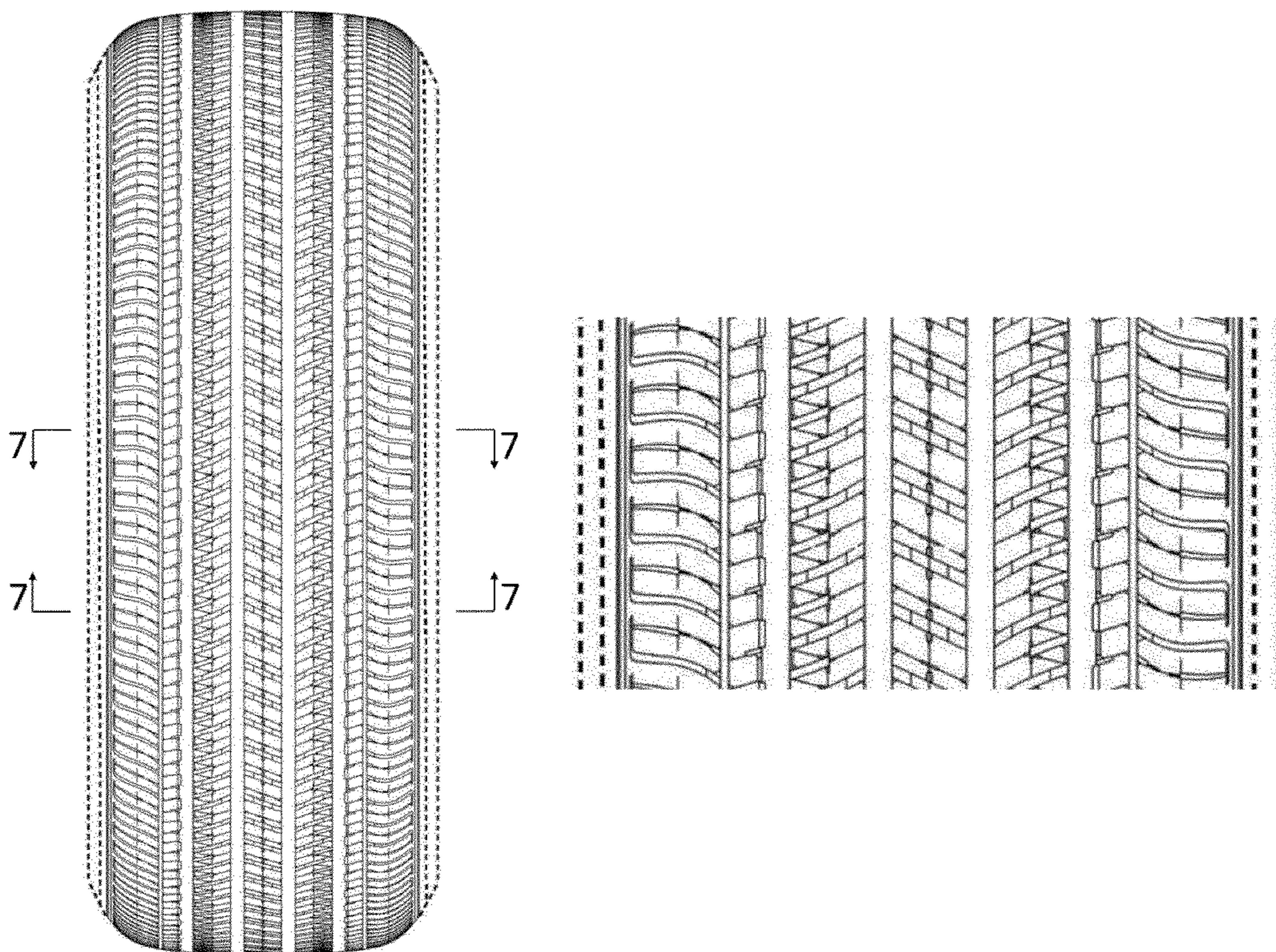
FIG. 6 is a right lateral view thereof;

FIG. 7 is an enlarged fragmentary front view showing the details of the tread portion thereof at brackets 7-7 in FIG. 2; and,

FIG. 8 is a bottom view thereof.

The lines defining the sidewall, inner bead, and the peripheral boundary between the claimed tire tread and the sidewall depict environmental subject matter that forms no part of the claimed design.

1 Claim, 8 Drawing Sheets



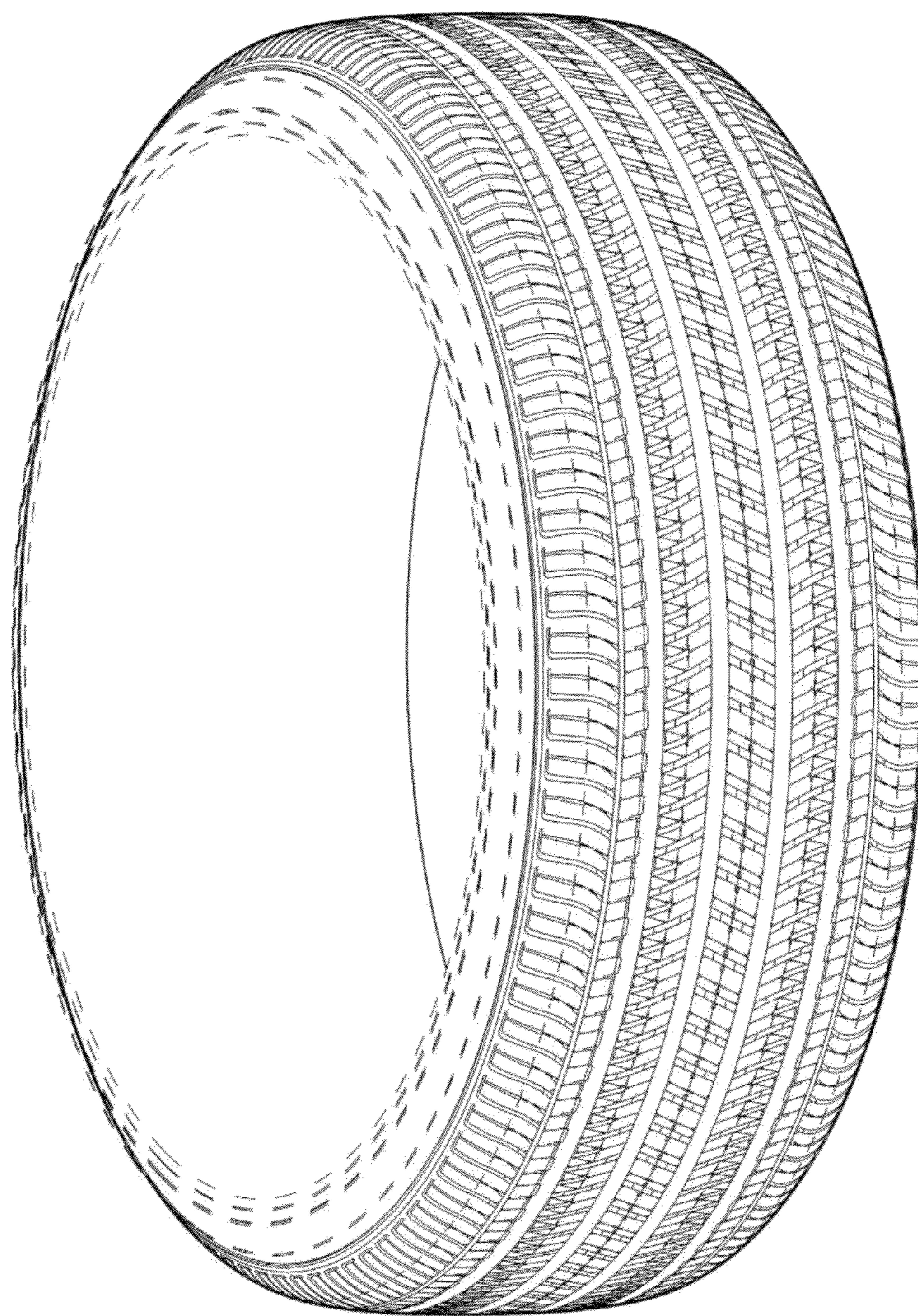


FIG. 1

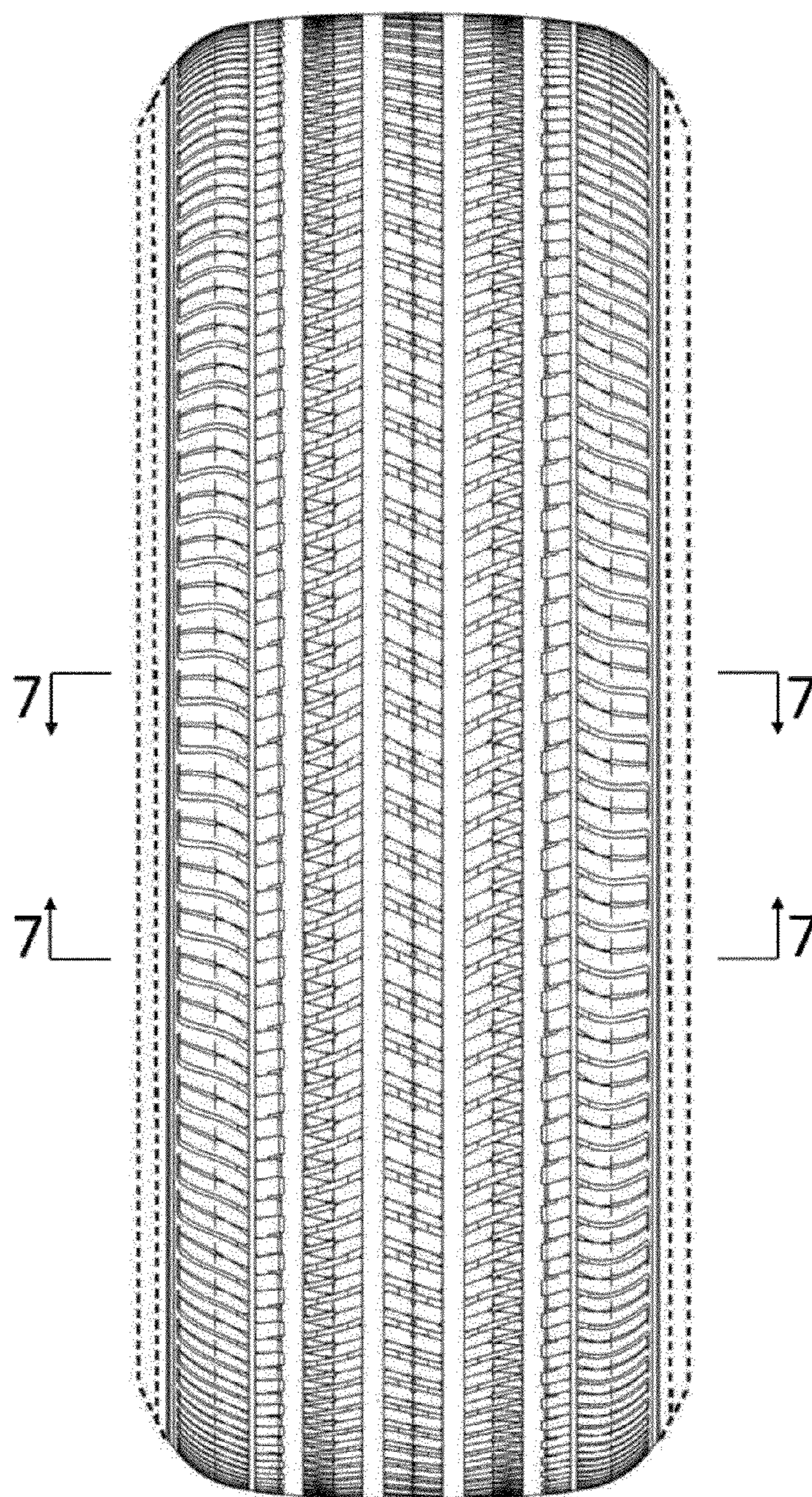


FIG. 2

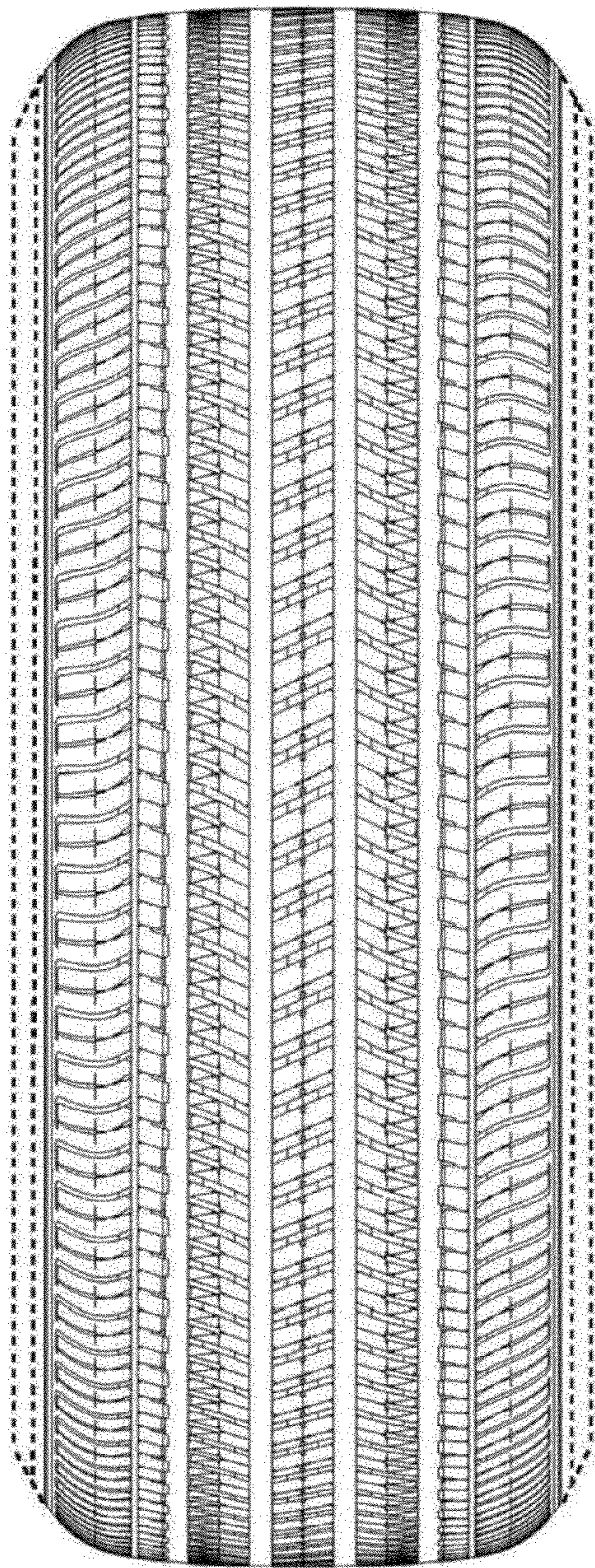


FIG. 3

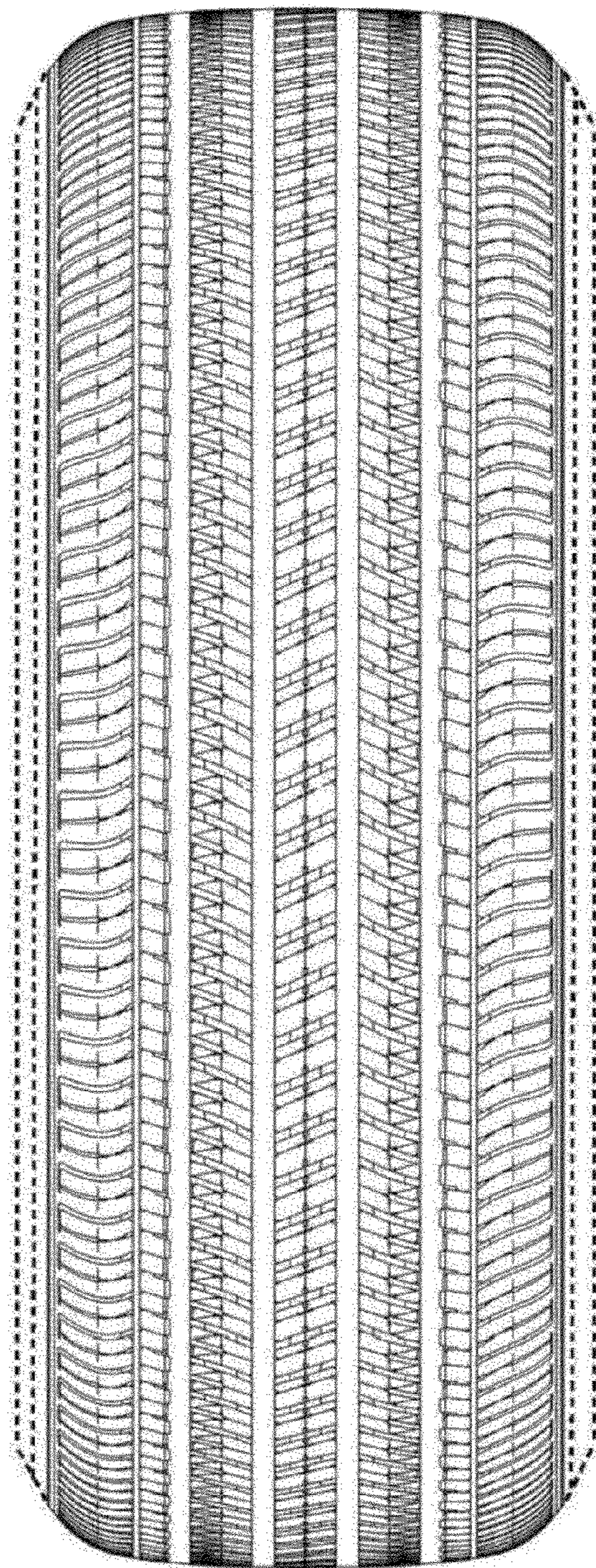


FIG. 4

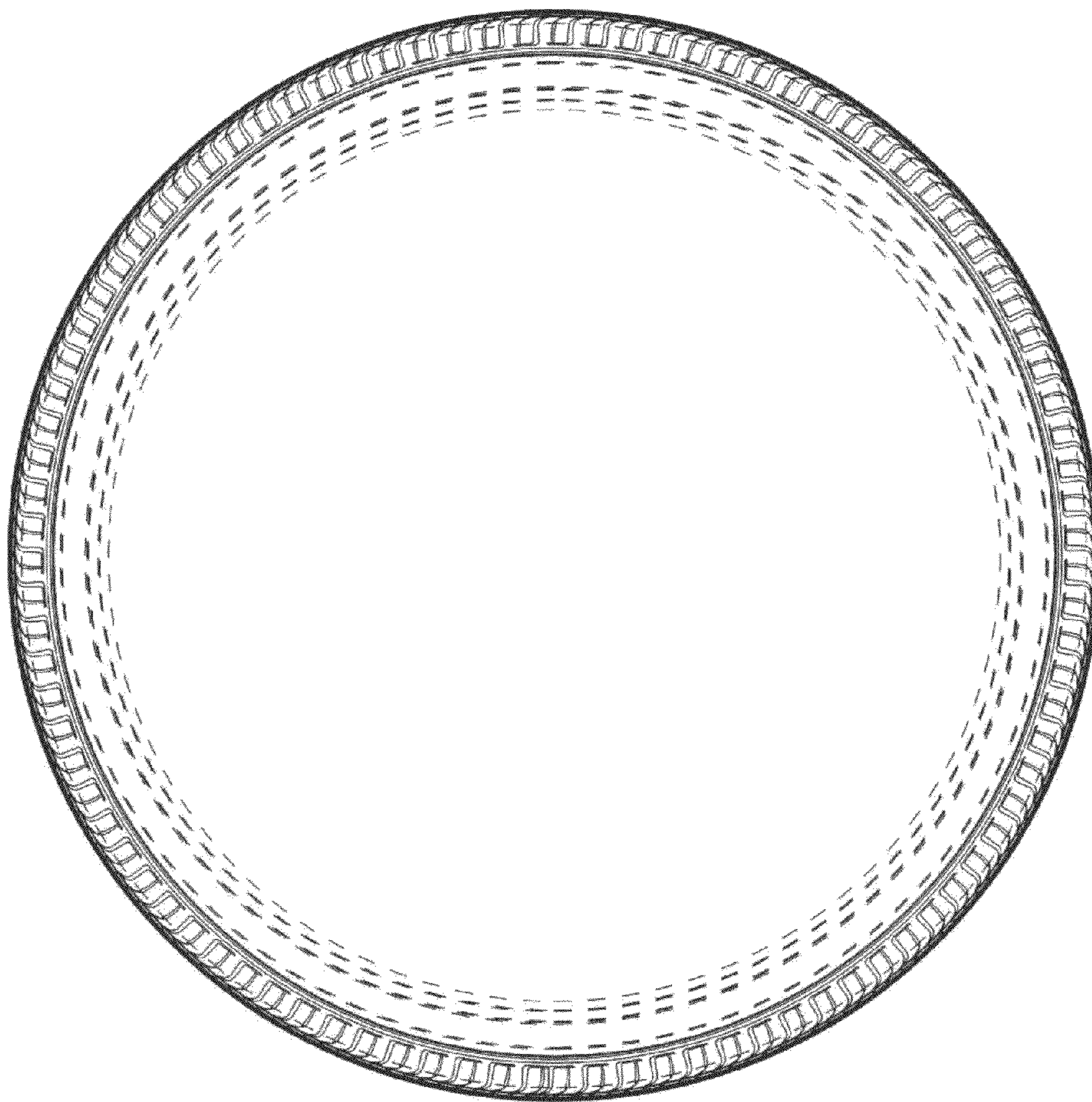


FIG. 5

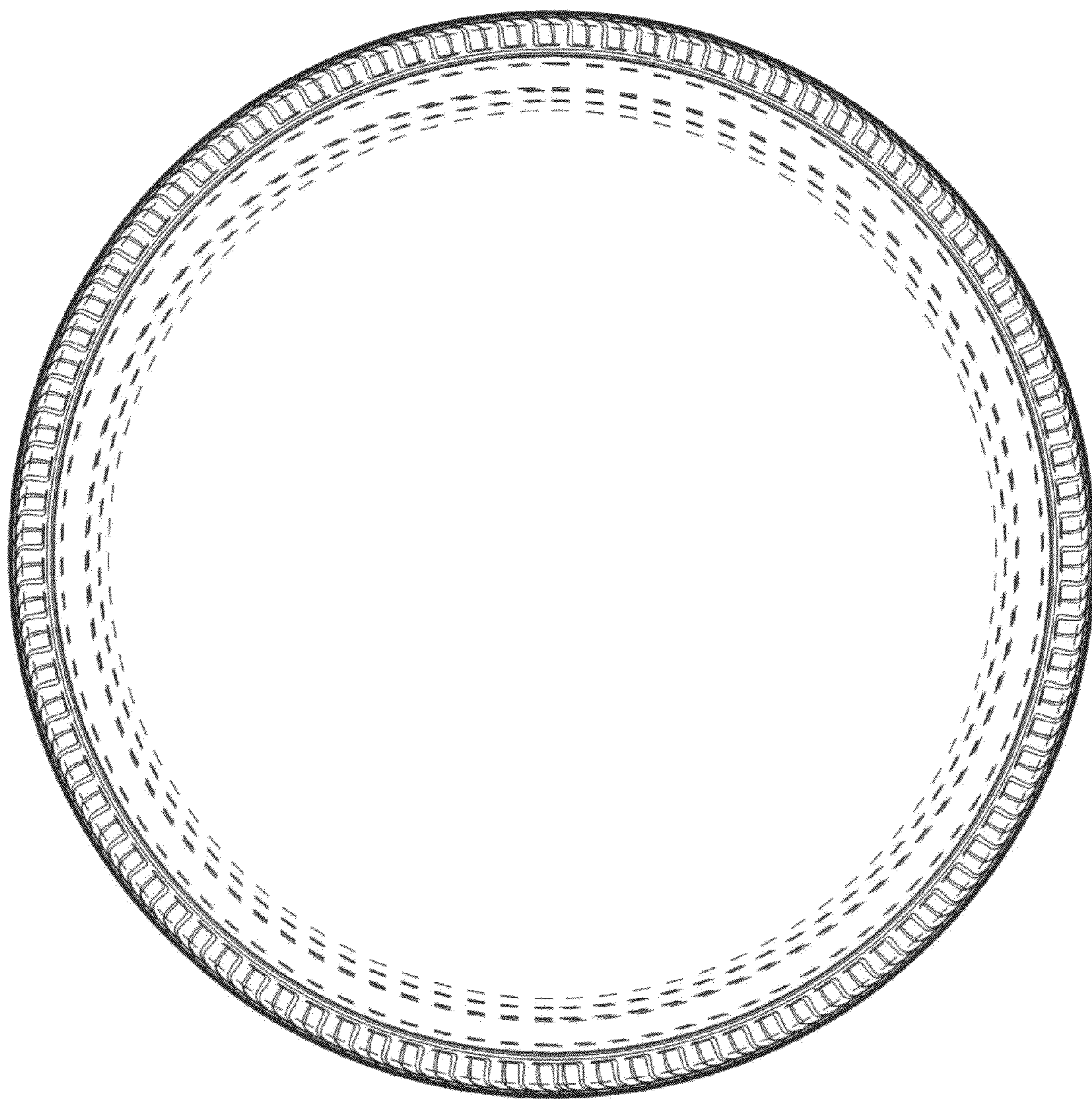


FIG. 6

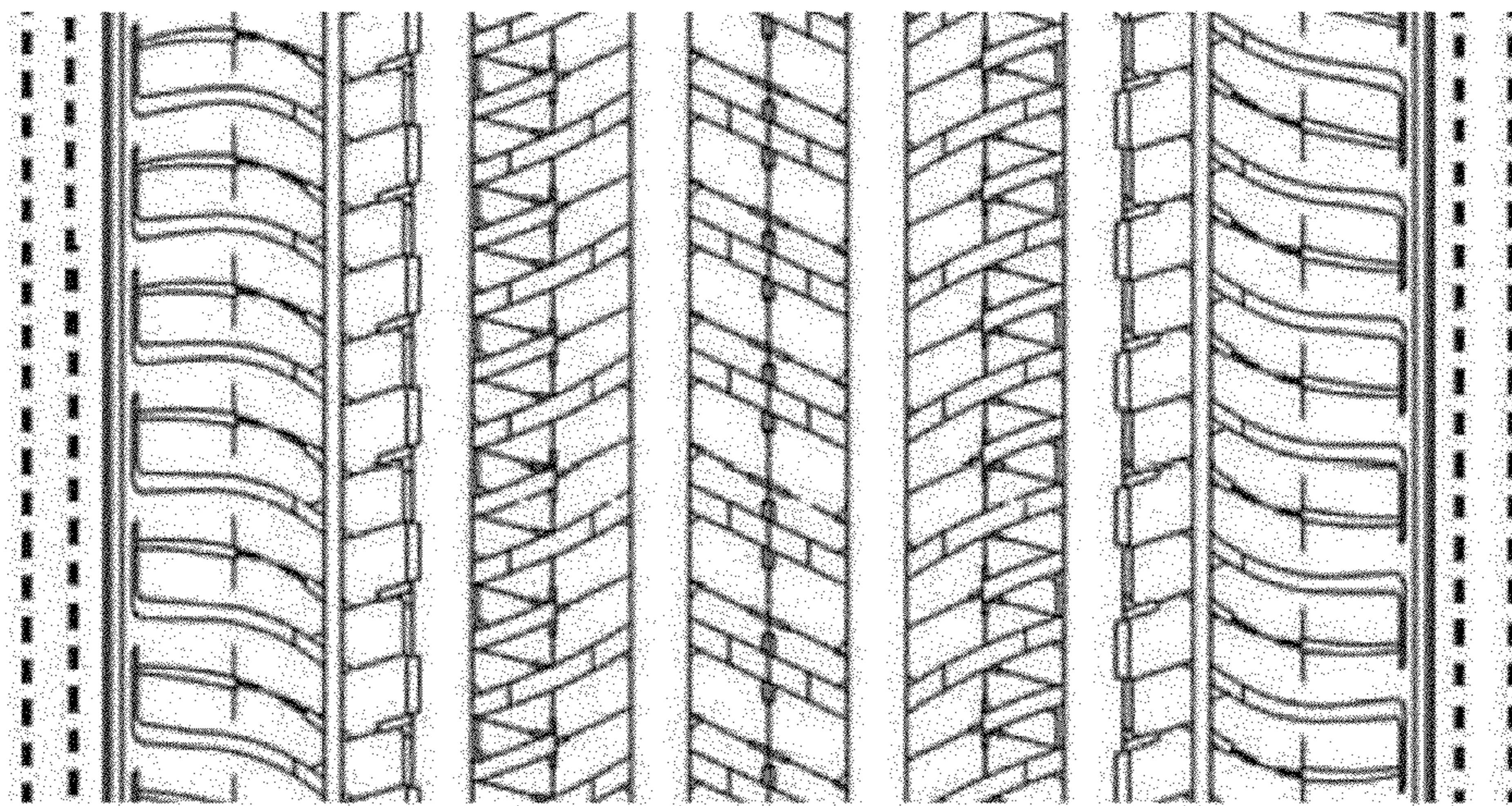


FIG. 7

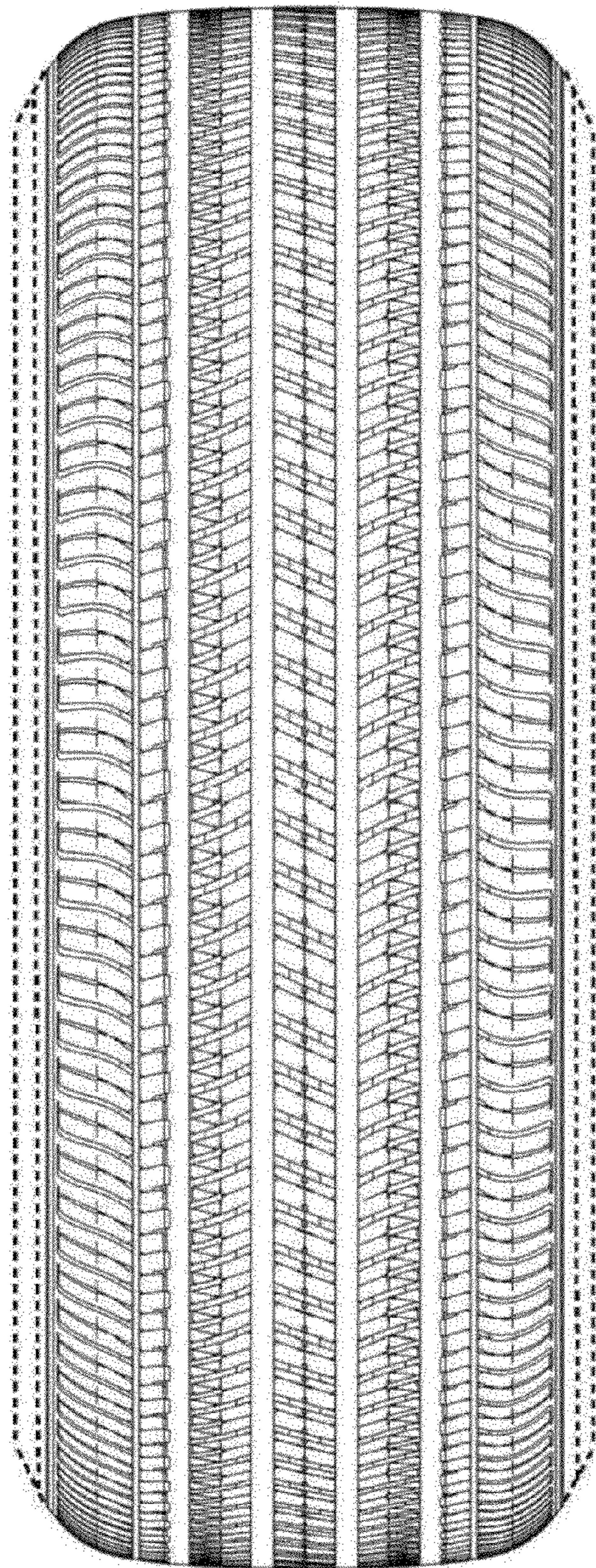


FIG. 8