



US00D741781S

(12) **United States Design Patent**  
**Chavez**

(10) **Patent No.:** **US D741,781 S**  
(45) **Date of Patent:** **\*\* Oct. 27, 2015**

(54) **VEHICULAR GLARE-REDUCING ACCESSORY**  
(71) Applicant: **Richard Chavez**, Tucumcari, NM (US)  
(72) Inventor: **Richard Chavez**, Tucumcari, NM (US)  
(\*\*) Term: **14 Years**  
(21) Appl. No.: **29/483,030**

6,386,408 B1 \* 5/2002 Beatty ..... 224/312  
D474,732 S \* 5/2003 Hillman ..... D12/417  
D546,743 S 7/2007 Wisco  
D597,008 S 7/2009 Gammelgard  
D658,114 S \* 4/2012 Gammelgard ..... D12/417  
D658,569 S 5/2012 Horton  
8,393,380 B2 \* 3/2013 Uehara et al. .... 160/370.22  
8,881,790 B2 \* 11/2014 Boch et al. .... 160/370.22  
9,033,022 B2 \* 5/2015 Katada ..... 160/370.22

(22) Filed: **Feb. 25, 2014**  
(51) **LOC (10) Cl.** ..... **12-16**  
(52) **U.S. Cl.**  
USPC ..... **D12/417**  
(58) **Field of Classification Search**  
USPC ..... D12/417, 183, 400-401, 191, 181, 182  
CPC ..... B60J 3/0208; B60J 3/02; B60J 1/2005;  
B60J 1/0204  
See application file for complete search history.

FOREIGN PATENT DOCUMENTS

CH 442049 11/2012  
JP 2011073598 9/2002

\* cited by examiner

*Primary Examiner* — Katrina A Betton

(57) **CLAIM**  
I claim the ornamental design for a vehicular glare-reducing accessory, as shown and described.

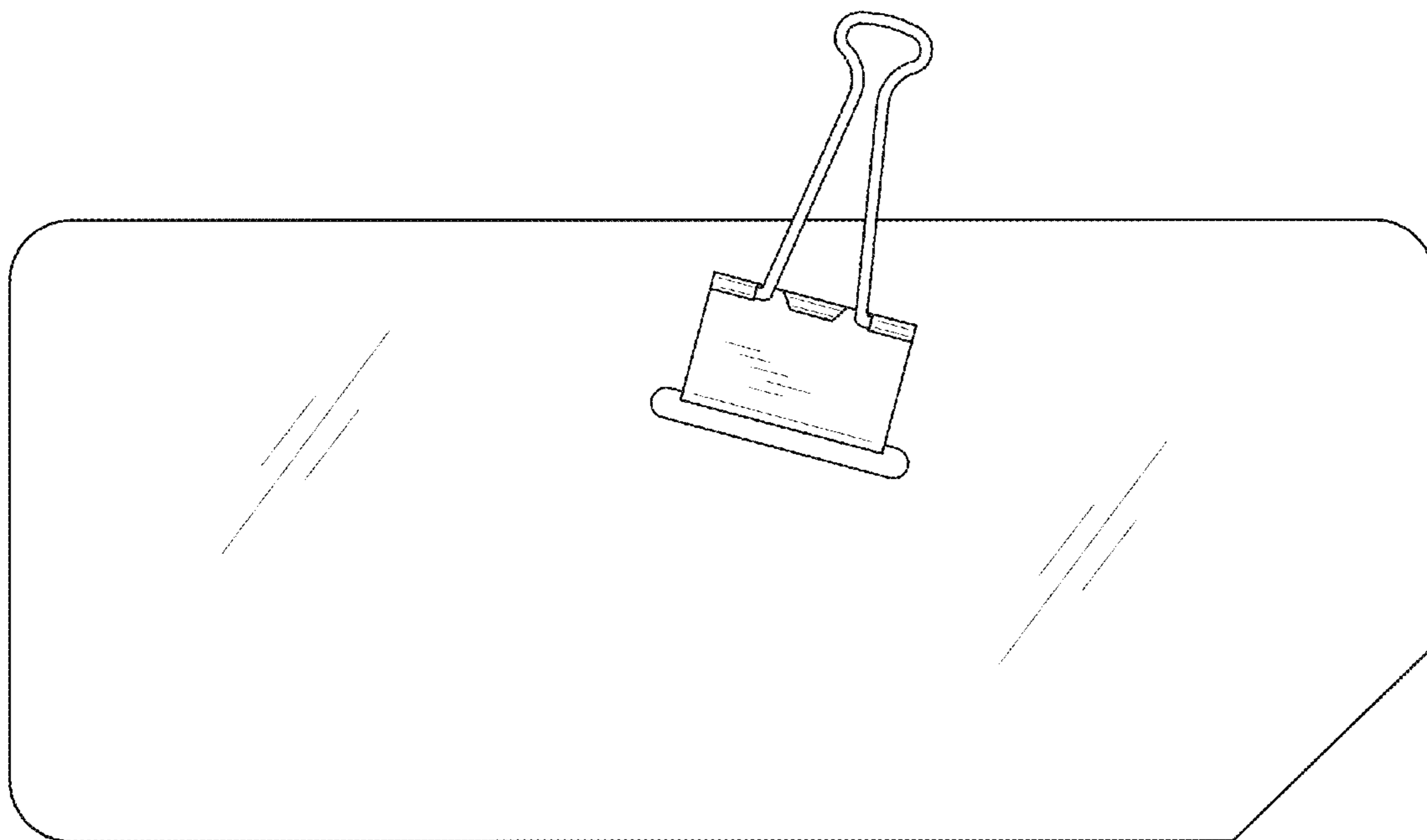
**DESCRIPTION**

FIG. 1 is a front view of the vehicular glare-reducing accessory.  
FIG. 2 is a left side view of the claimed design.  
FIG. 3 is a right side view of the claimed design.  
FIG. 4 is a top view of the claimed design.  
FIG. 5 is a bottom view of the claimed design; and,  
FIG. 6 is a perspective view of the claimed design. The visor depicted in broken lines of FIG. 6 is environmental matter, and forms no part of the claimed design.

(56) **References Cited**  
U.S. PATENT DOCUMENTS

3,858,931 A 1/1975 Van Sickle  
D354,471 S \* 1/1995 Moseley ..... D12/191  
D370,047 S \* 5/1996 Eberhard ..... D22/138  
5,611,591 A 3/1997 Van Devender  
5,673,957 A 10/1997 Moo  
5,678,880 A 10/1997 Keller  
6,318,787 B1 11/2001 Fahy  
6,325,442 B1 12/2001 Hunker

**1 Claim, 4 Drawing Sheets**



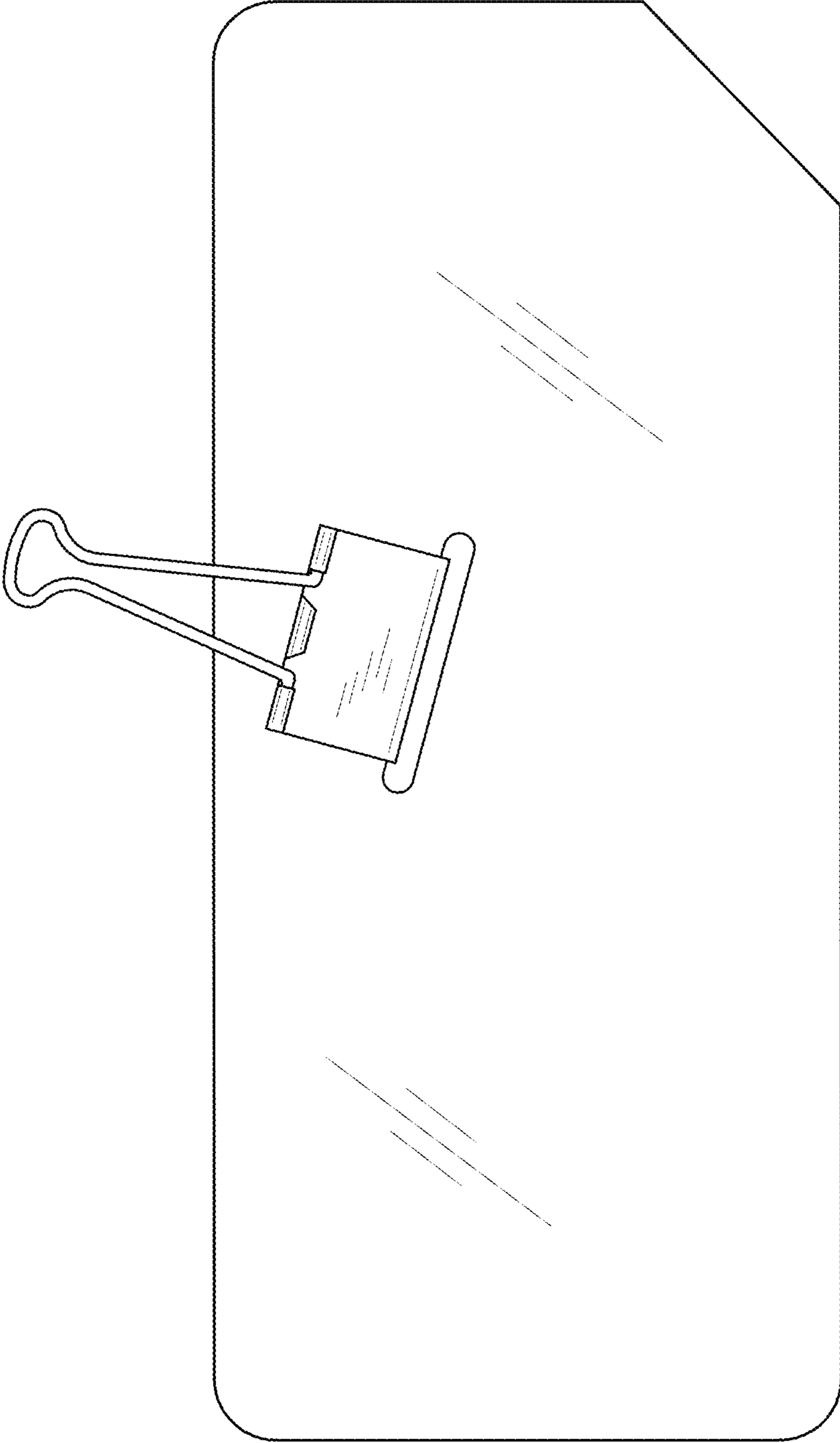


FIG. 1

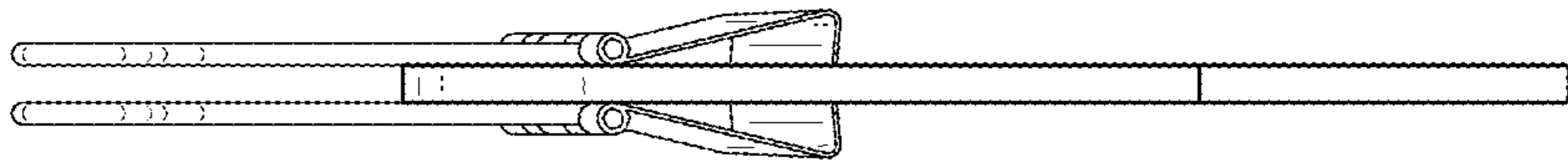


FIG. 3

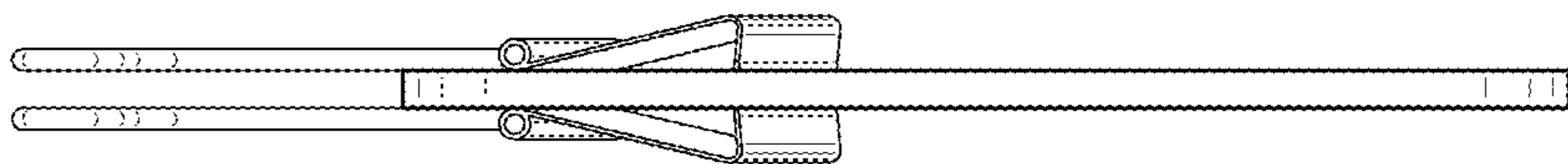


FIG. 2

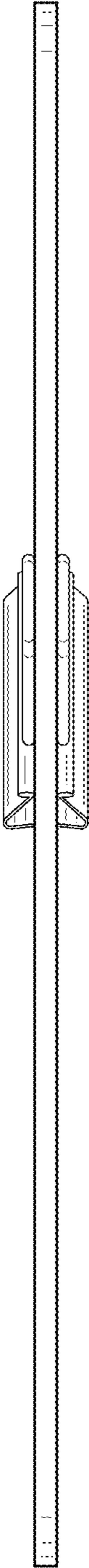


FIG. 4

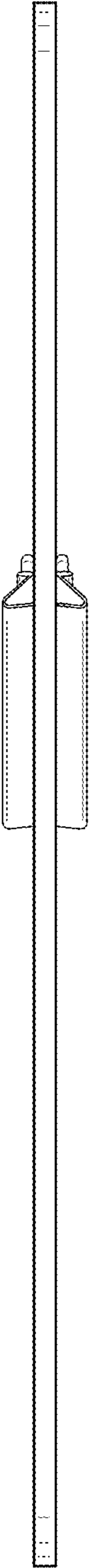


FIG. 5

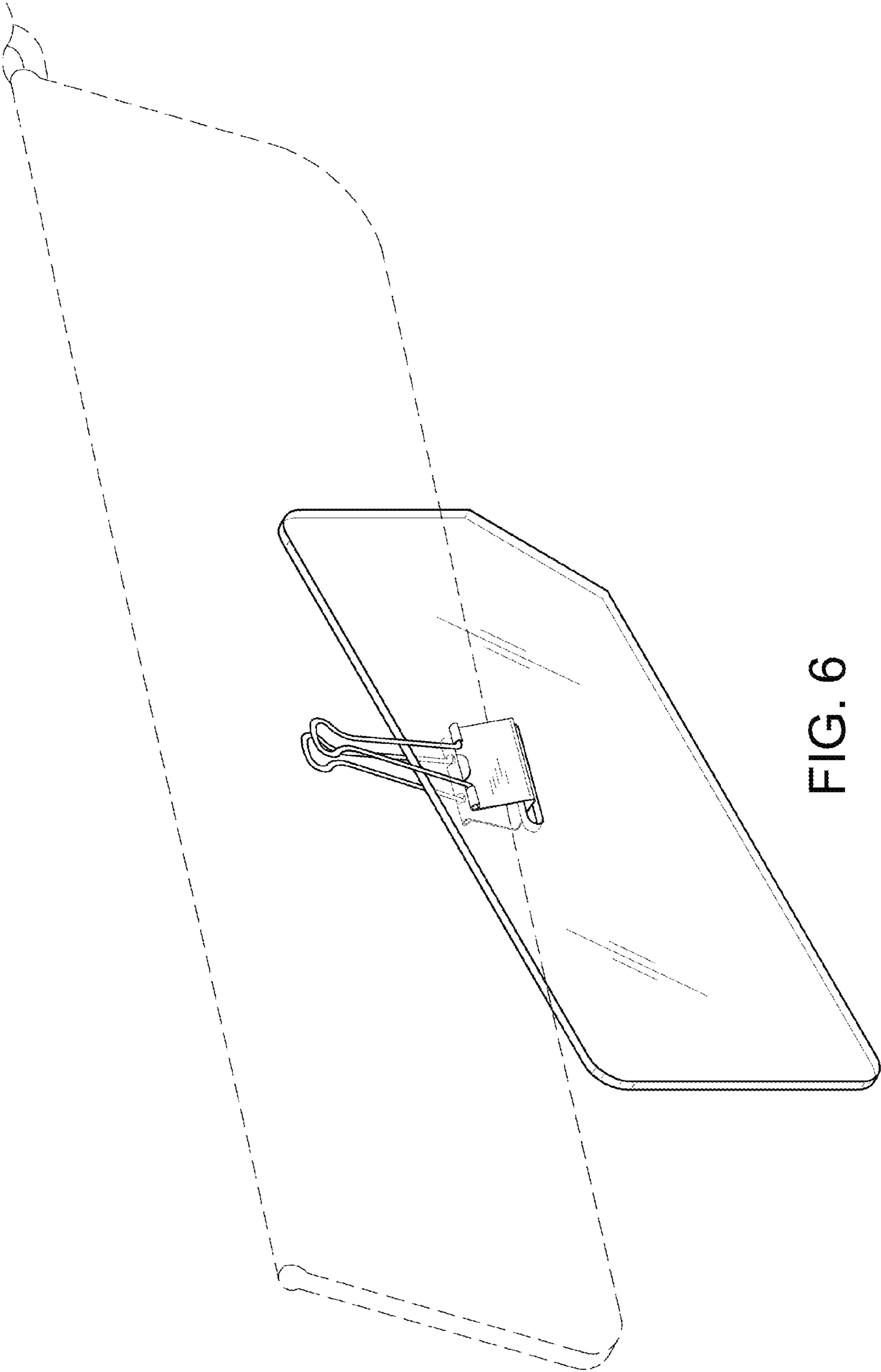


FIG. 6