



US00D741779S

(12) **United States Design Patent**  
**Hsiao et al.**

(10) **Patent No.:** **US D741,779 S**  
(45) **Date of Patent:** **\*\* Oct. 27, 2015**

(54) **MULTI-ROTOR AERIAL VEHICLE**

(71) Applicants: **Kanquor Hsiao**, Towaco, NJ (US);  
**Yufeng Hsiao**, Towaco, NJ (US)

(72) Inventors: **Kanquor Hsiao**, Towaco, NJ (US);  
**Yufeng Hsiao**, Towaco, NJ (US)

(\*\*) Term: **14 Years**

(21) Appl. No.: **29/502,242**

(22) Filed: **Sep. 12, 2014**

(51) **LOC (10) Cl.** ..... **12-07**

(52) **U.S. Cl.**

USPC ..... **D12/326; D21/441; D12/16.1**

(58) **Field of Classification Search**

USPC ..... D12/16.1, 19, 322, 323, 326, 327, 328,  
D12/329, 330, 339, 341, 342, 343, 344;  
D21/436, 438, 439, 440, 441, 446, 447,  
D21/448, 449, 450, 453

CPC ..... B64C 39/00; B64C 30/00; B64C 29/00;  
B64C 5/06

See application file for complete search history.

(56) **References Cited**

**U.S. PATENT DOCUMENTS**

|           |     |         |                 |       |           |
|-----------|-----|---------|-----------------|-------|-----------|
| 3,053,480 | A * | 9/1962  | Vanderlip       | ..... | 244/17.13 |
| 3,614,029 | A * | 10/1971 | Eickmann        | ..... | 244/17.23 |
| 4,913,377 | A * | 4/1990  | Eickmann        | ..... | 244/17.11 |
| 5,082,079 | A * | 1/1992  | Lissaman et al. | ..... | 180/118   |
| D648,809  | S * | 11/2011 | Seydoux et al.  | ..... | D21/441   |
| D659,771  | S * | 5/2012  | Seydoux et al.  | ..... | D21/441   |
| D684,642  | S * | 6/2013  | Li              | ..... | D21/447   |
| D710,453  | S * | 8/2014  | Barajas et al.  | ..... | D21/442   |
| D710,454  | S * | 8/2014  | Barajas et al.  | ..... | D21/442   |

|              |      |        |               |       |         |
|--------------|------|--------|---------------|-------|---------|
| 8,967,029    | B1 * | 3/2015 | Calvert       | ..... | 89/1.11 |
| 2012/0056041 | A1 * | 3/2012 | Rhee et al.   | ..... | 244/4 R |
| 2014/0099853 | A1 * | 4/2014 | Condon et al. | ..... | 446/37  |
| 2015/0148988 | A1 * | 5/2015 | Fleck         | ..... | 701/2   |

\* cited by examiner

*Primary Examiner* — Robert M Spear

*Assistant Examiner* — Marissa J Cash

(57) **CLAIM**

The ornamental design for a multi-rotor aerial vehicle, as shown.

**DESCRIPTION**

FIG. 1 is a front view of a multi-rotor aerial vehicle showing my new design.

FIG. 2 is a rear view thereof.

FIG. 3 is a left-side view thereof.

FIG. 4 is a right-side view thereof.

FIG. 5 is a top view thereof.

FIG. 6 is a bottom view thereof.

FIG. 7 is a front, right, top-side perspective view thereof.

FIG. 8 is a front, right, top-side exploded perspective view thereof.

FIG. 9 is a rear, left, top-side perspective view thereof.

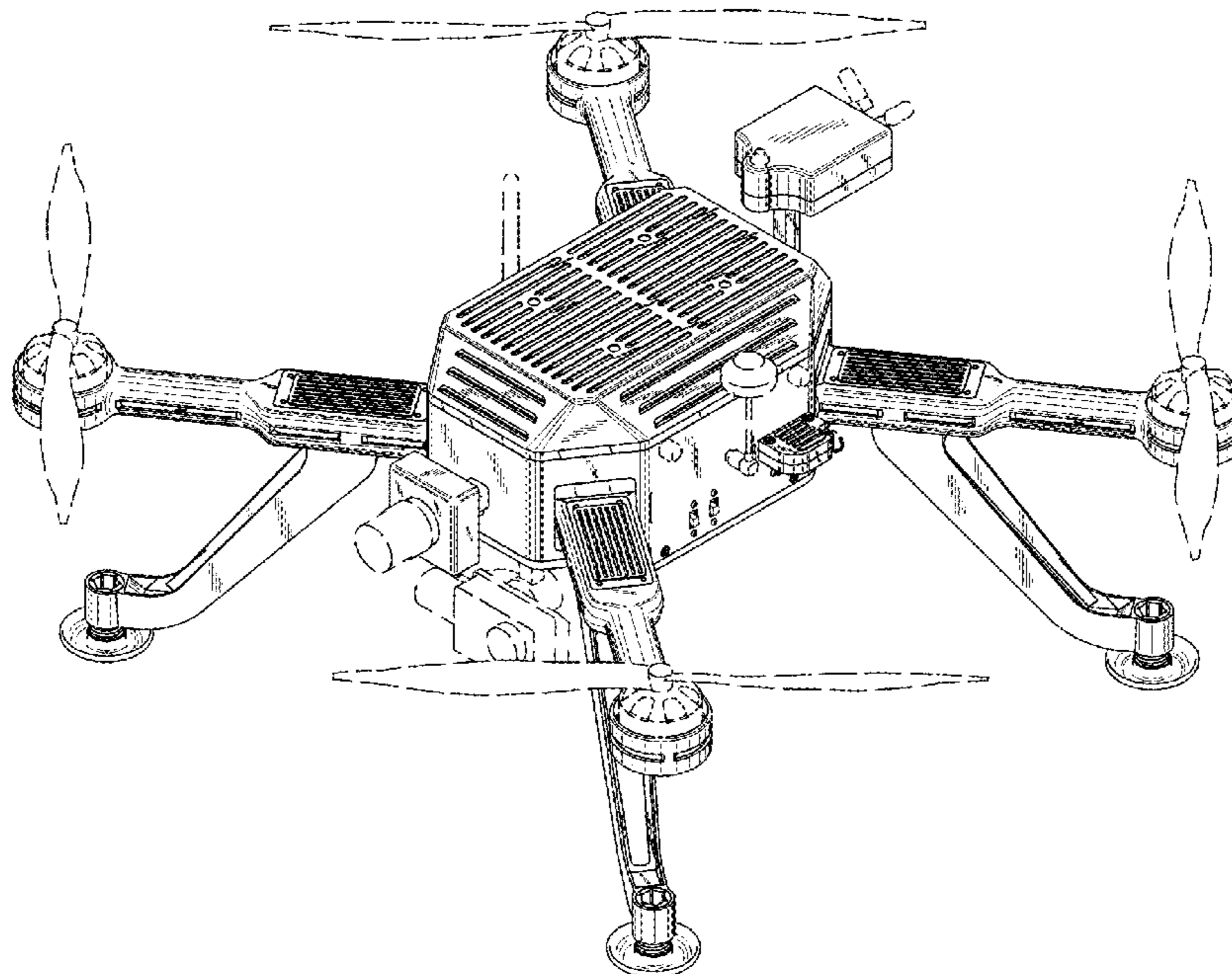
FIG. 10 is a front, left, bottom-side perspective view thereof.

FIG. 11 is a rear, right, bottom-side perspective view thereof; and,

FIG. 12 is a rear, right, bottom-side exploded perspective view thereof.

The broken lines are included for the purpose of illustrating portions of the multi-rotor aerial vehicle that form no part of the claimed design.

**1 Claim, 10 Drawing Sheets**



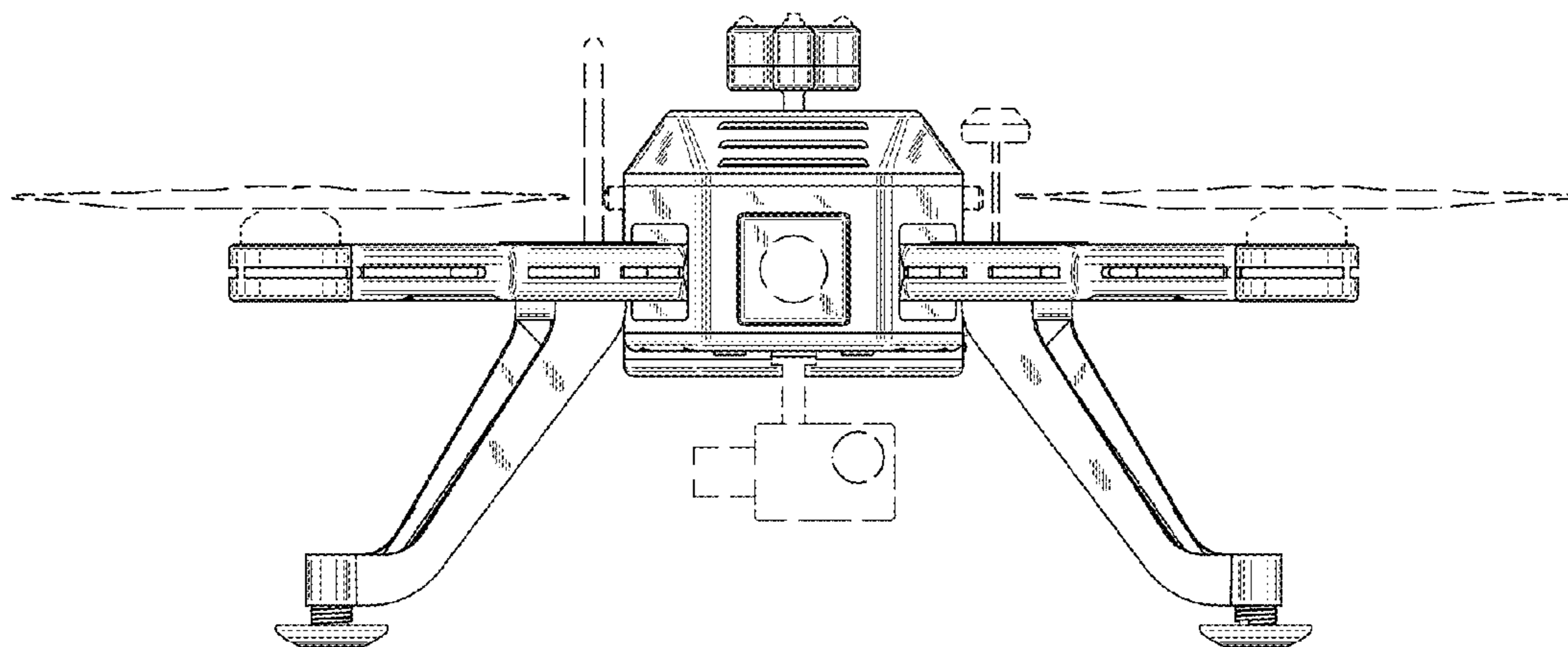


Fig. 1

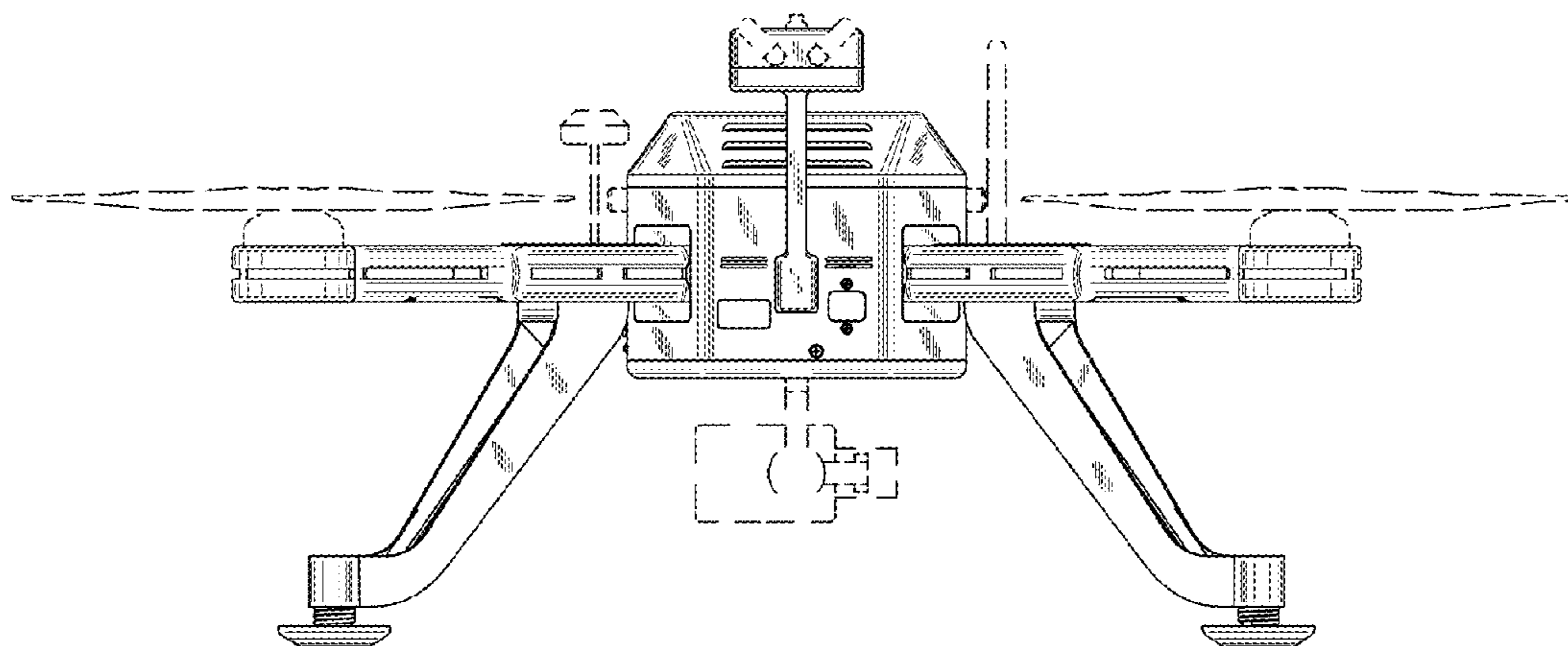


Fig. 2

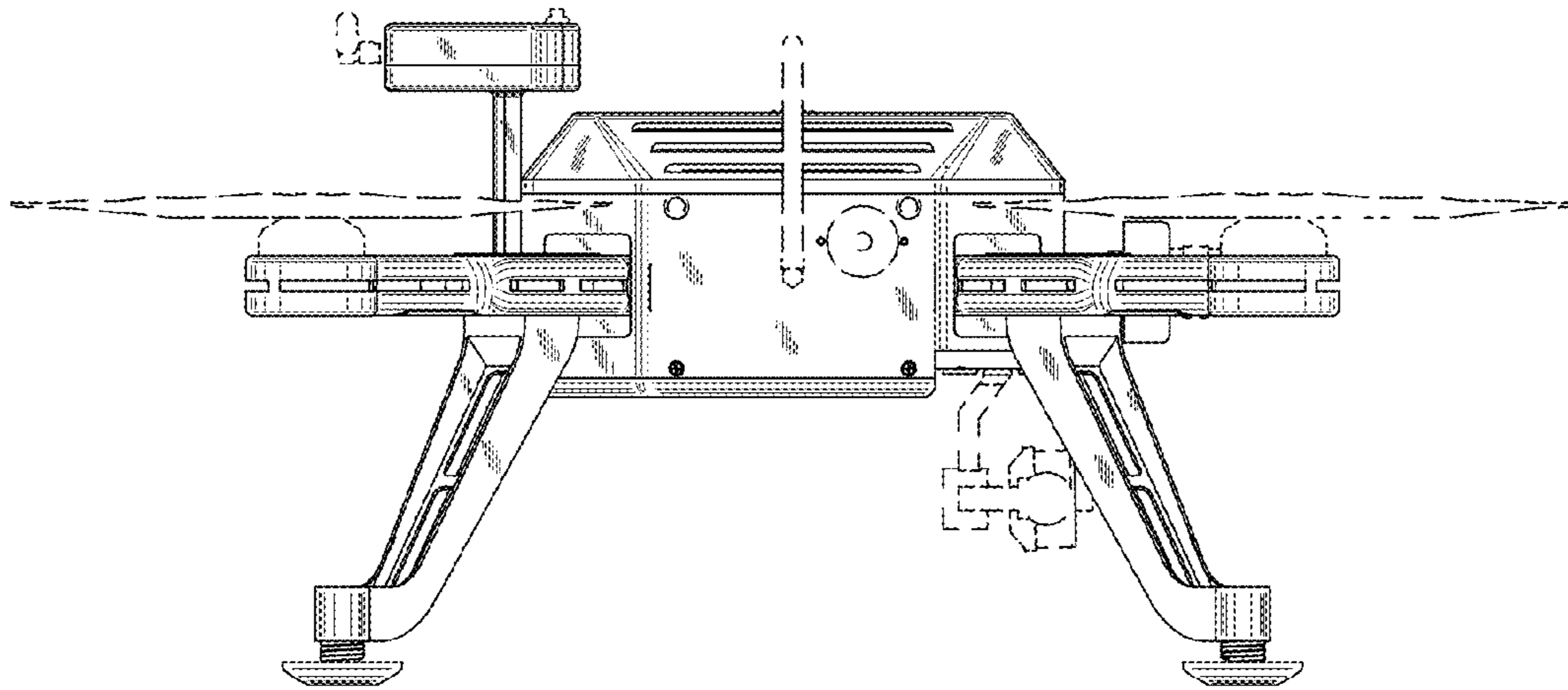


Fig. 3

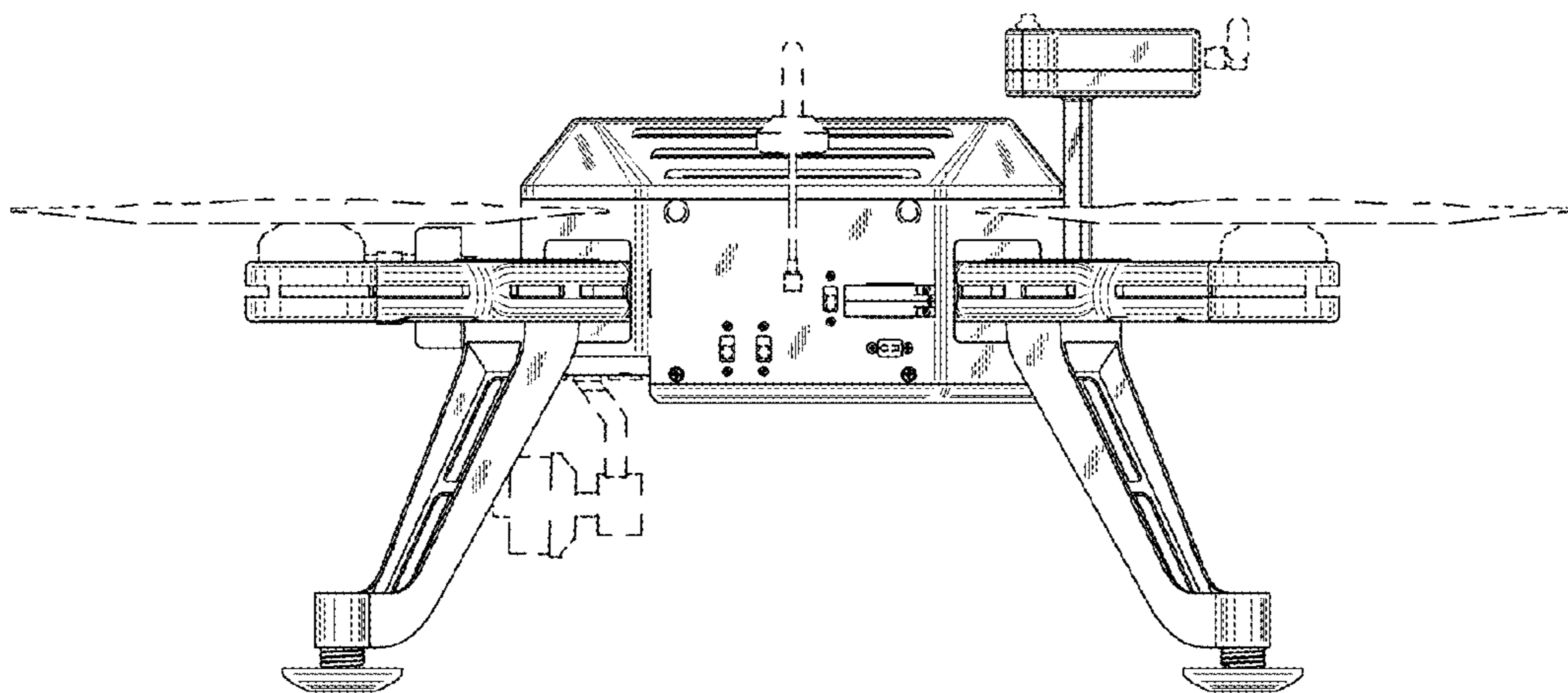


Fig. 4

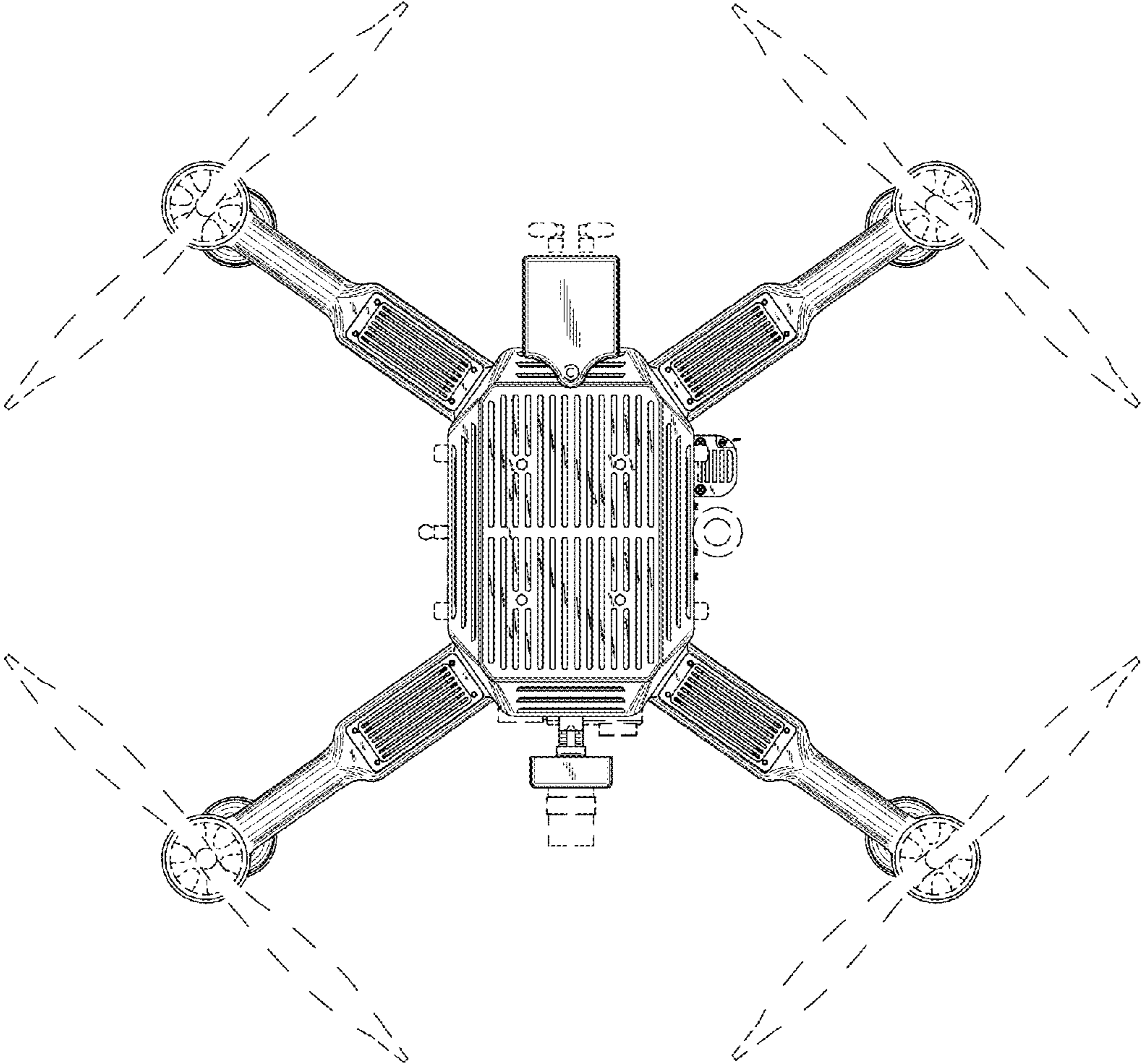


Fig. 5

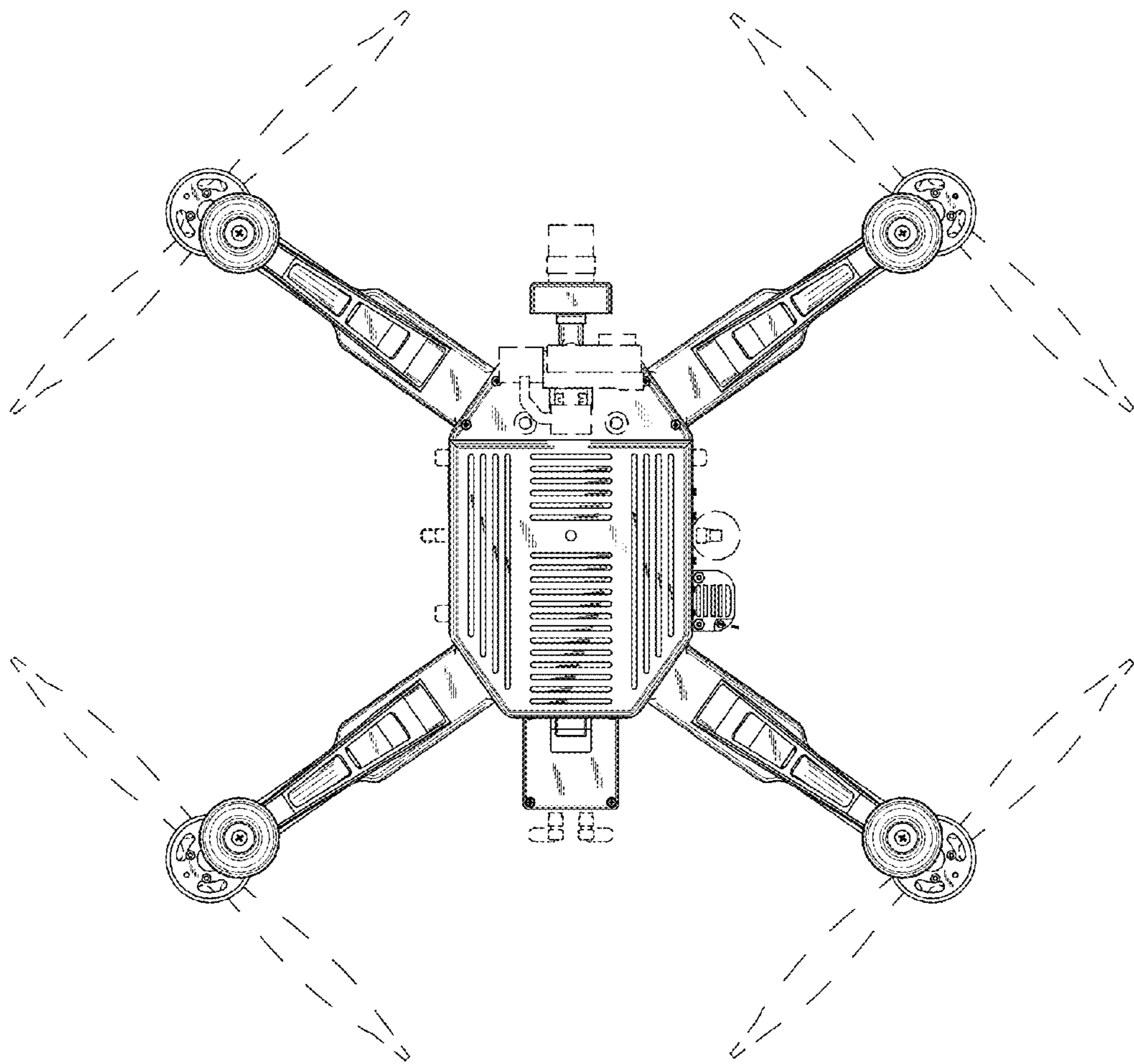


Fig. 6

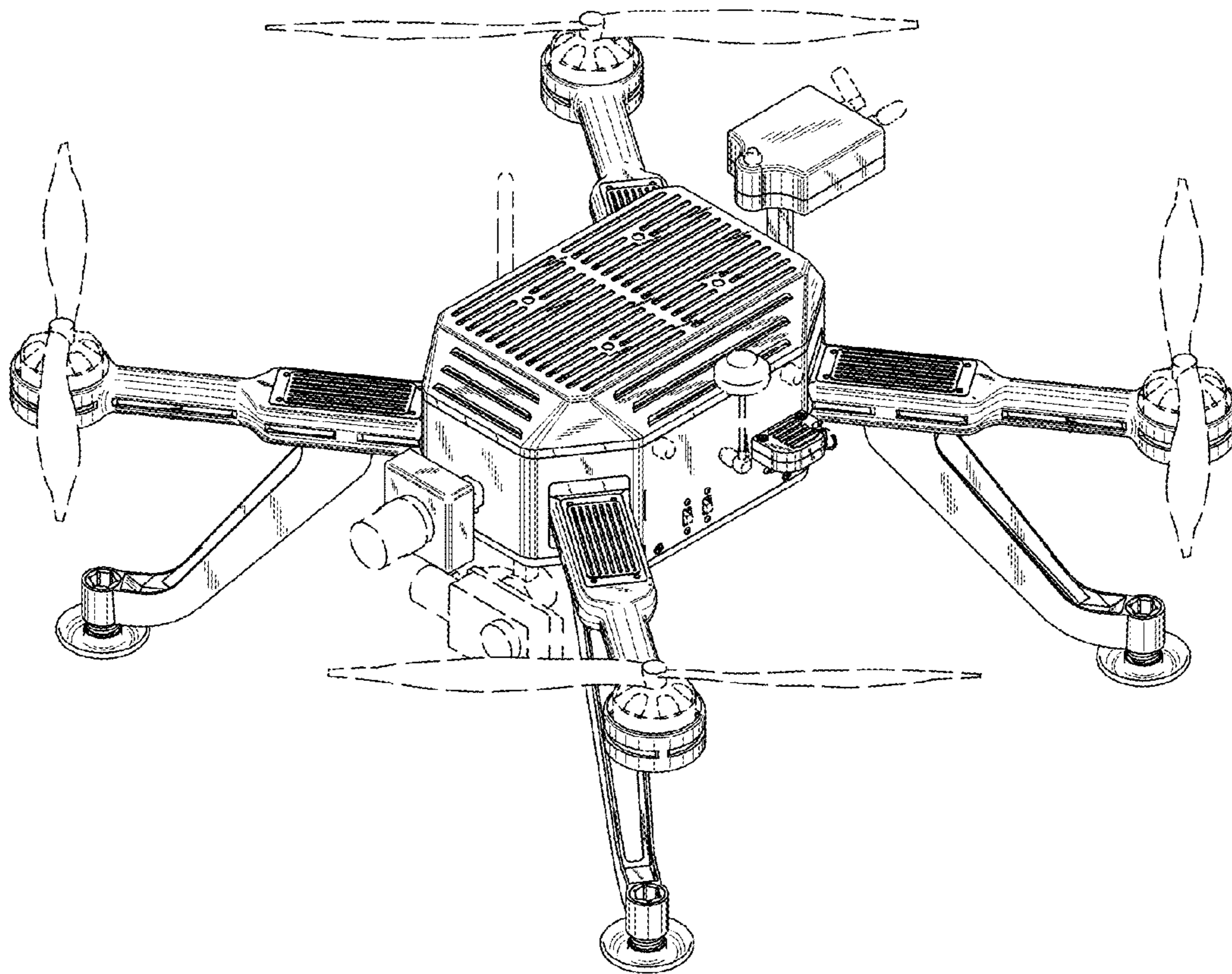


Fig. 7

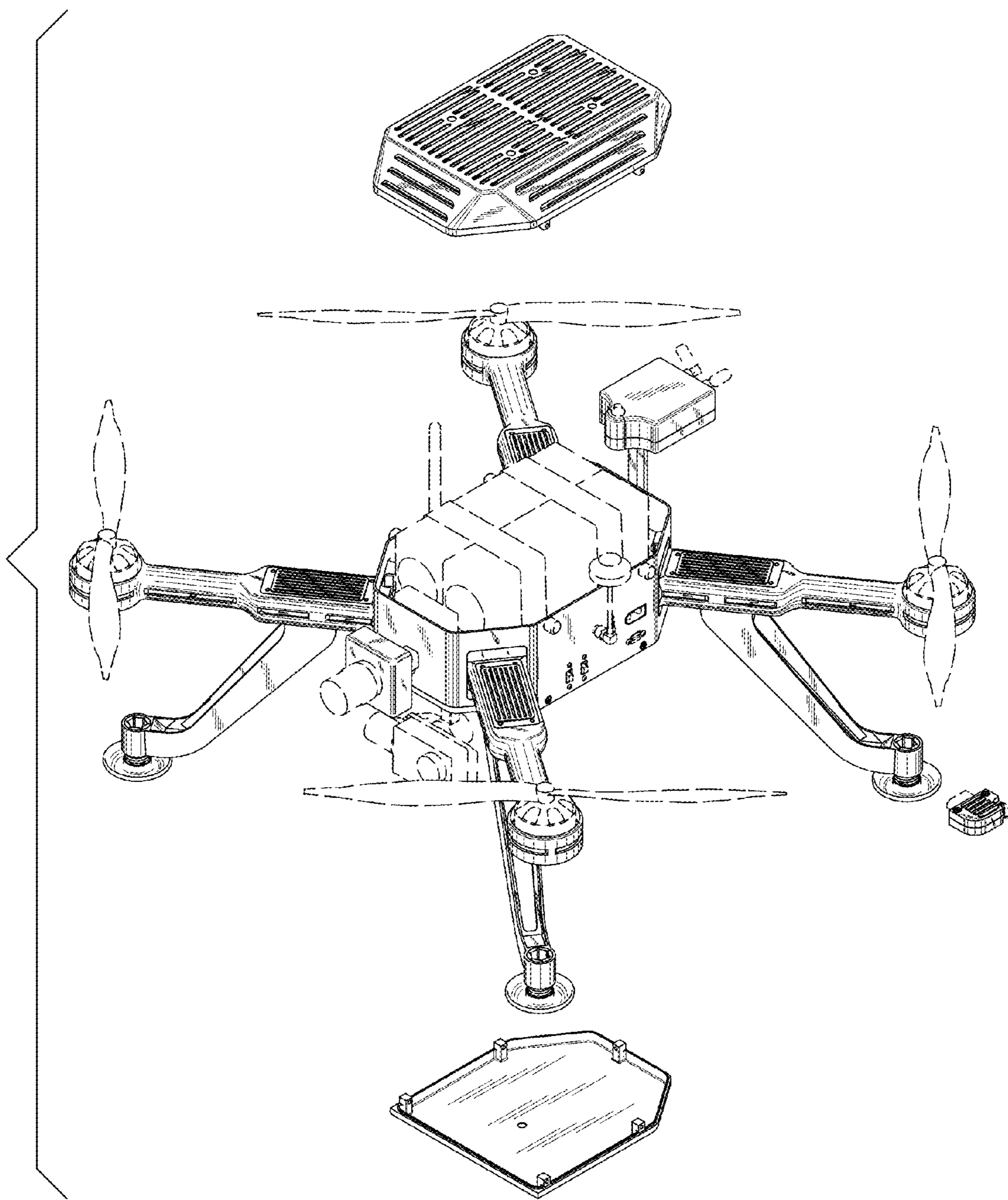


Fig. 8

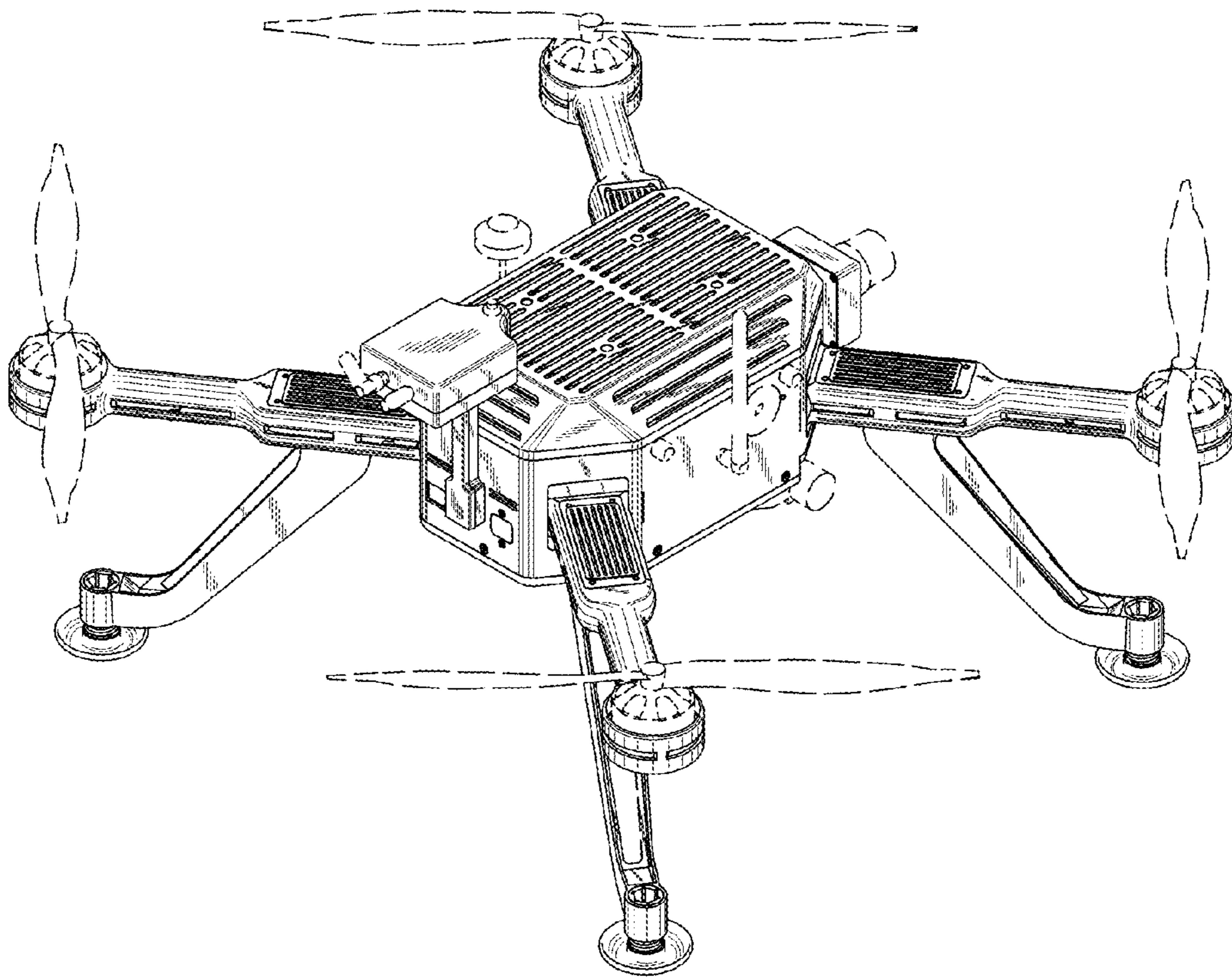


Fig. 9



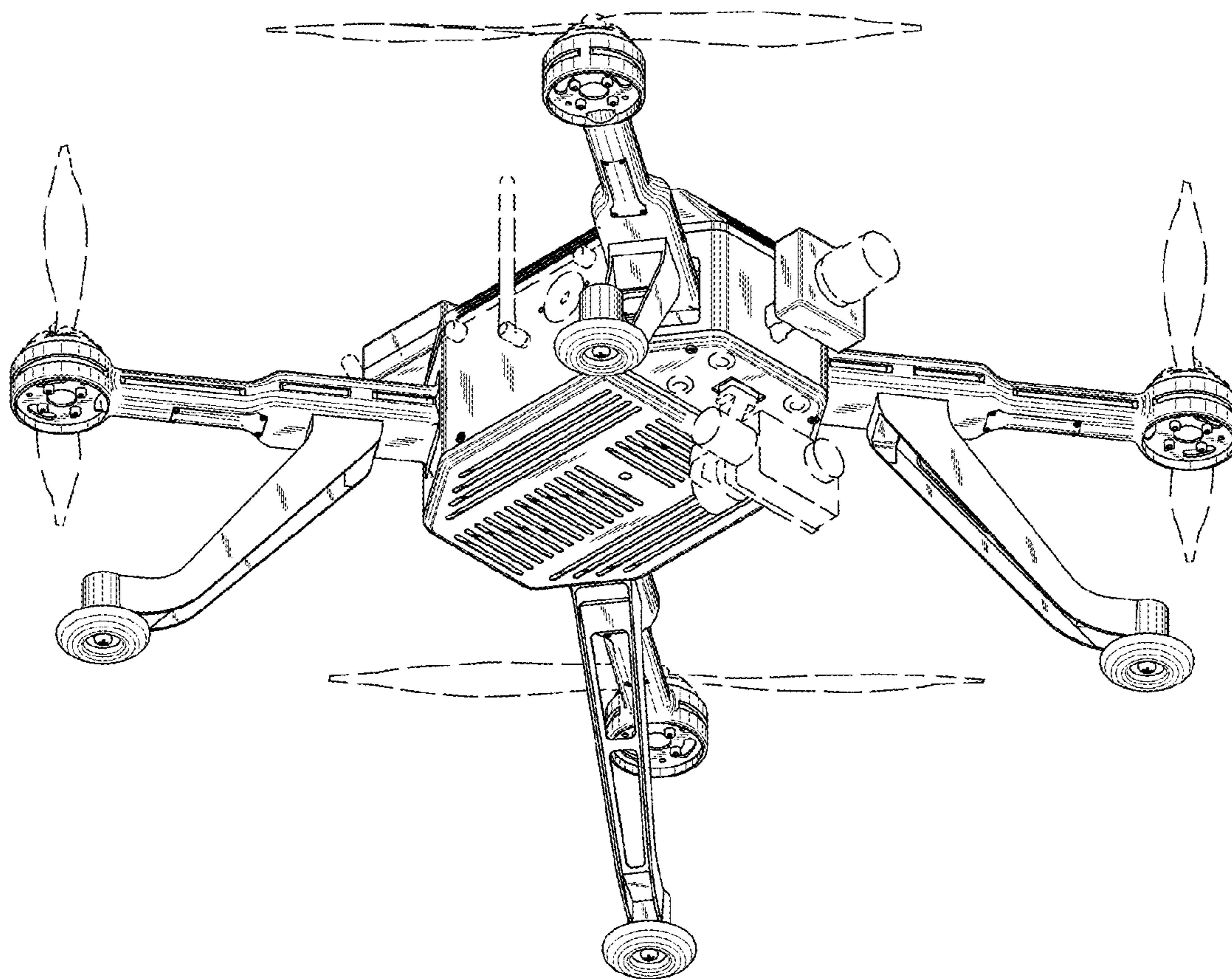


Fig. 10

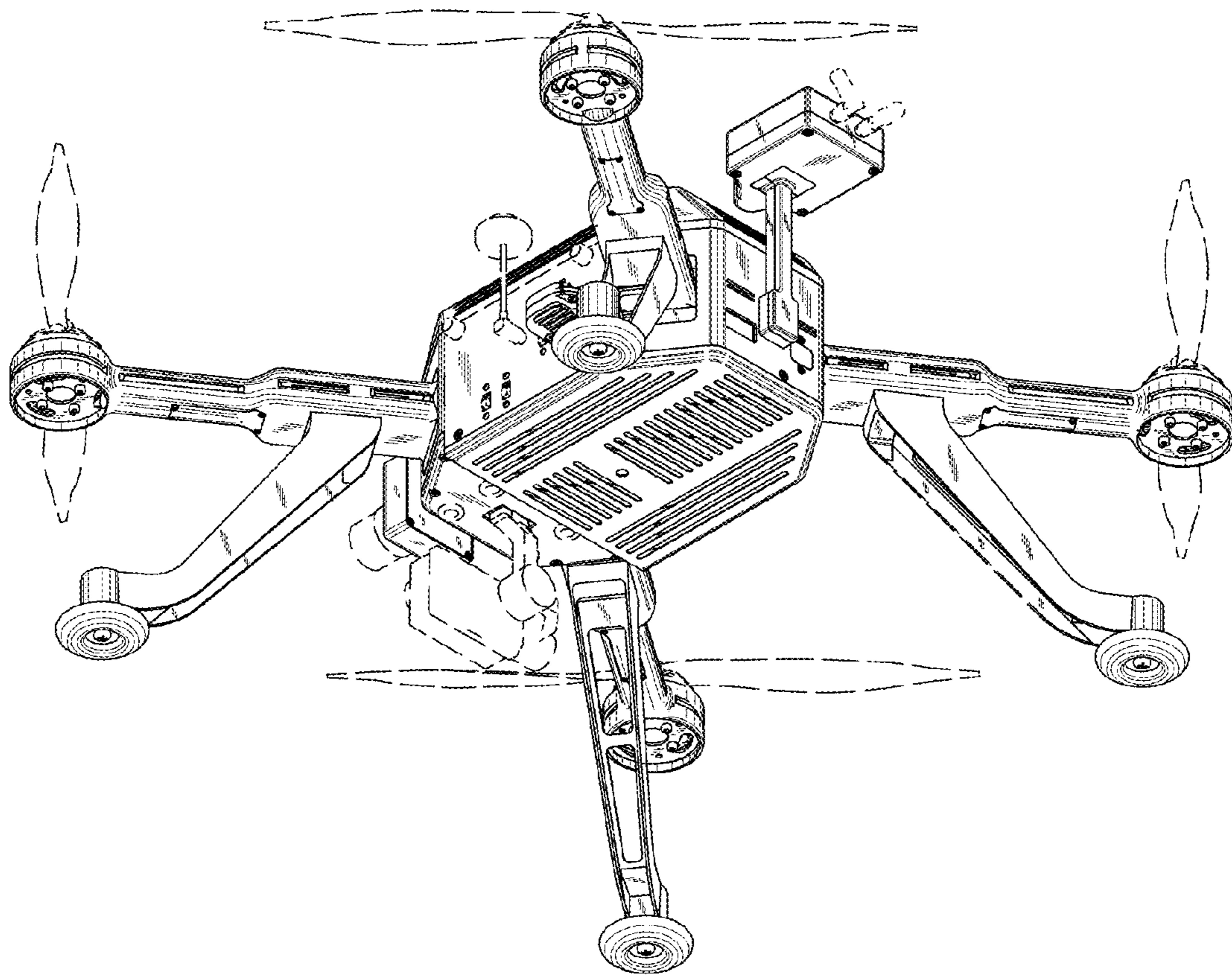


Fig. 11

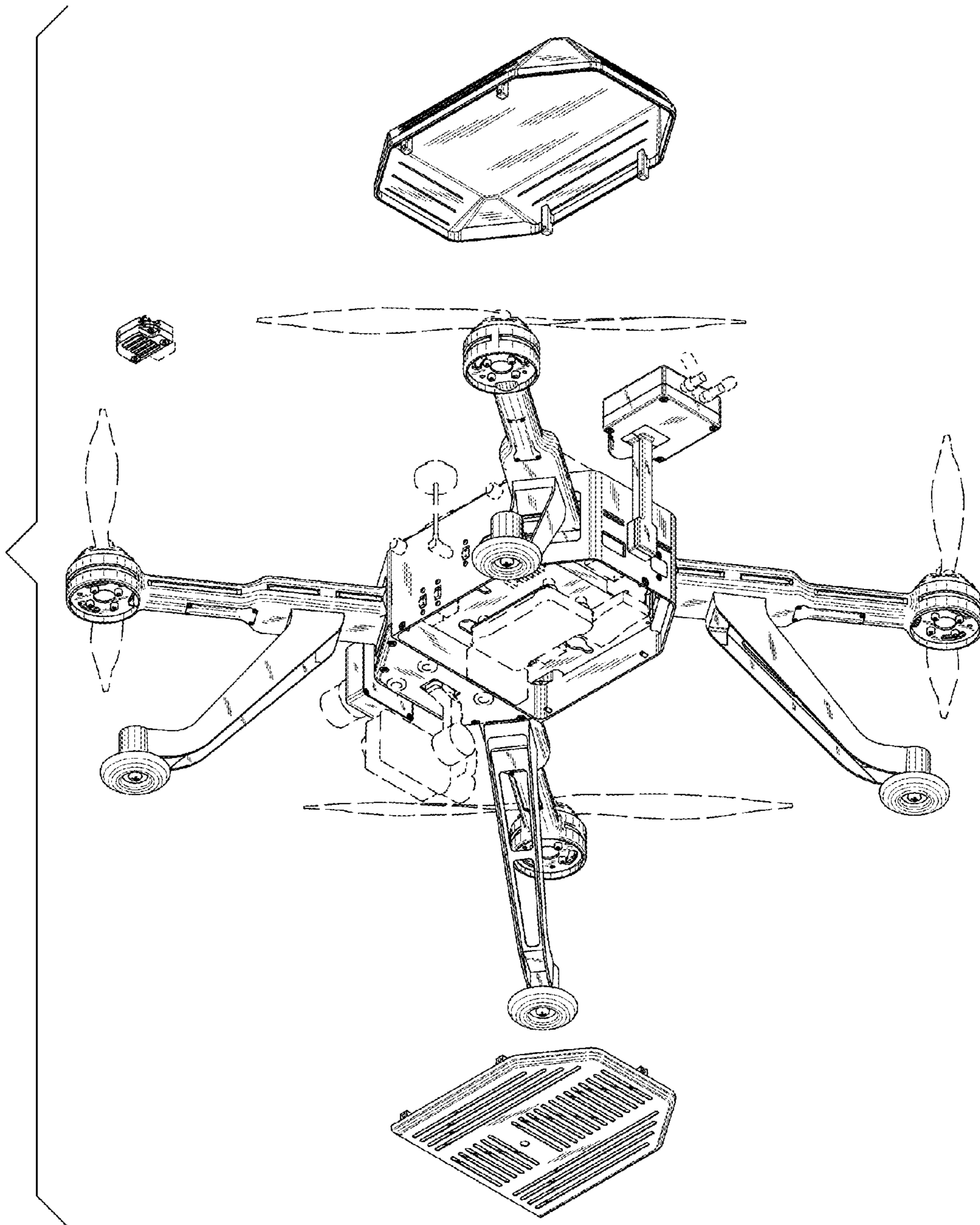


Fig. 12