



US00D741774S

(12) **United States Design Patent**  
**Werwie, III et al.**

(10) **Patent No.:** **US D741,774 S**  
(45) **Date of Patent:** **\*\* Oct. 27, 2015**

(54) **WHEEL**

(71) Applicant: **Pacific Cycle, LLC**, Madison, WI (US)

(72) Inventors: **Joseph J. Werwie, III**, Sun Prairie, WI (US); **Jason Clark**, Glendale, AZ (US)

(73) Assignee: **Pacific Cycle, LLC**, Madison, WI (US)

(\*\*) Term: **14 Years**

(21) Appl. No.: **29/499,234**

(22) Filed: **Aug. 13, 2014**

(51) **LOC (10) Cl.** ..... **12-16**

(52) **U.S. Cl.**  
USPC ..... **D12/211; D12/205**

(58) **Field of Classification Search**  
USPC ..... **D12/204–213; 301/64.201, 58**  
CPC ..... **B60B 7/00; B60B 7/02; B60B 7/04; B60B 7/01; B60B 7/06; B60B 3/02; B60B 3/04; B60B 3/06; B60B 3/10; B60B 1/00; B60B 1/08; B60B 1/10; B60B 1/12**  
See application file for complete search history.

(56) **References Cited**

**U.S. PATENT DOCUMENTS**

2,104,112	A *	1/1938	Barratt	.....	D12/205
D241,828	S *	10/1976	Hall	.....	D12/205
D241,829	S *	10/1976	Hall	.....	D12/205
D243,169	S *	1/1977	Suzuki et al.	.....	D12/205
D248,095	S *	6/1978	Shuzuki et al.	.....	D12/205
D248,390	S *	7/1978	Lester	.....	D12/205
D259,195	S *	5/1981	Smith	.....	D12/205
D282,924	S *	3/1986	Inoue	.....	D12/211
D290,946	S *	7/1987	Bruder	.....	D12/205

(Continued)

**OTHER PUBLICATIONS**

Website screenshot: <http://www.bmxsociety.com/topic/53162-every-kind-of-mag-wheel-ever-seen-on-a-bmx-bike/>; obtained Dec. 4, 2014.

*Primary Examiner* — Stacia Cadmus

(74) *Attorney, Agent, or Firm* — Shane Delsman; Godfrey & Kahn, S.C.

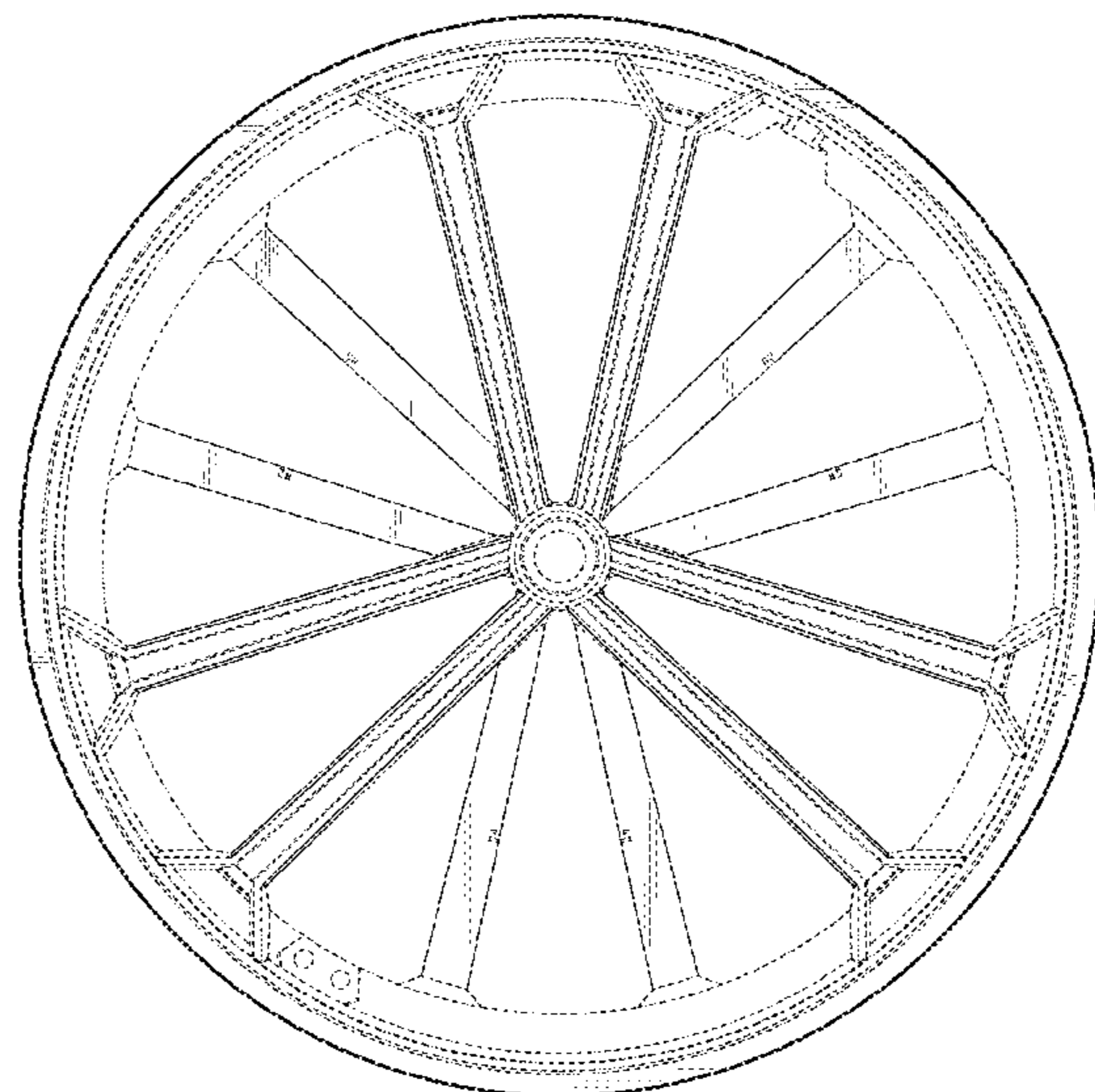
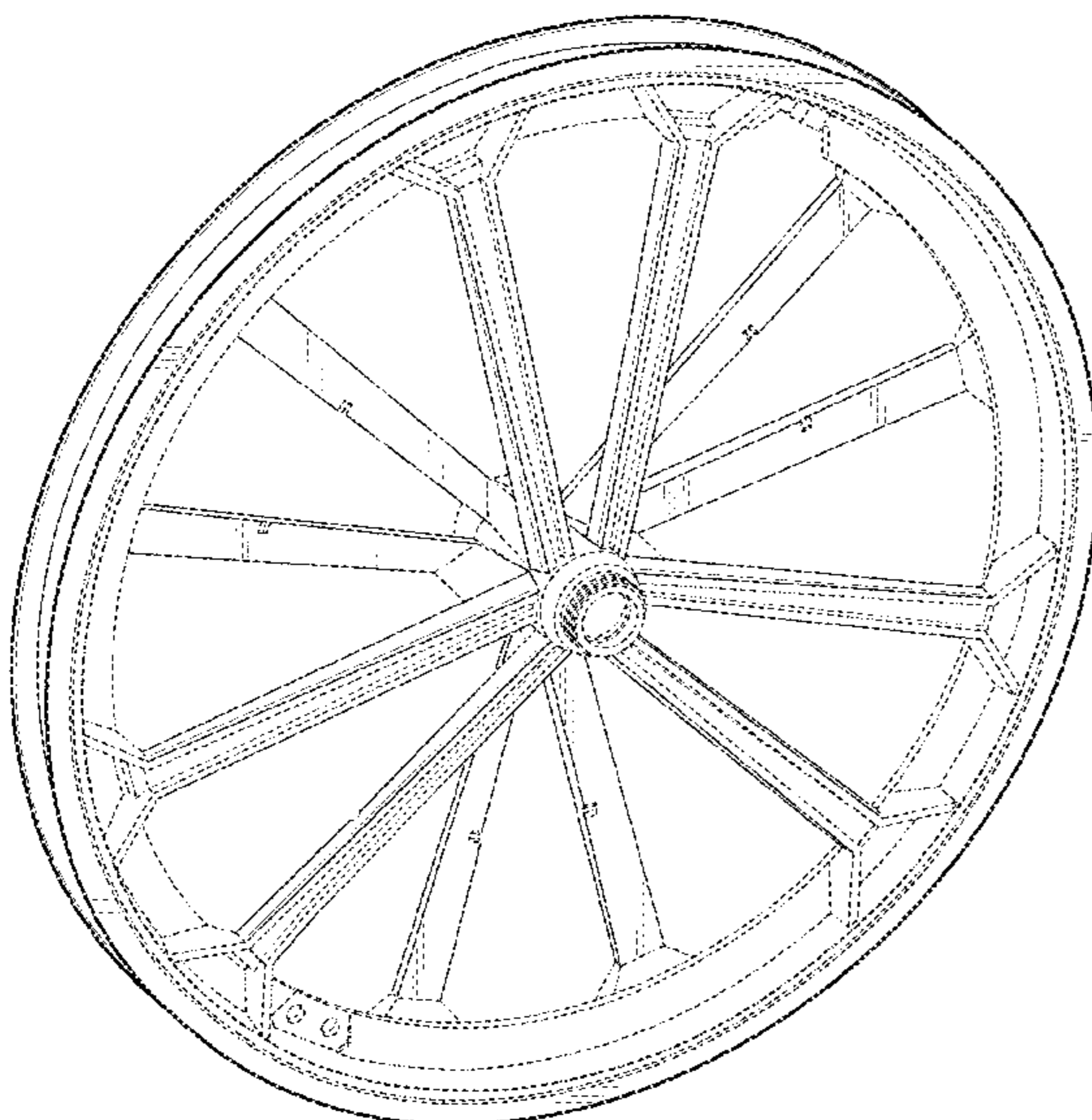
(57) **CLAIM**

We claim the ornamental design for a wheel, as shown and described.

**DESCRIPTION**

FIG. 1 is a perspective view of a wheel of our new design; FIG. 2 is a right side elevation view of the wheel of FIG. 1; FIG. 3 is a left side elevation view of the wheel of FIG. 1; FIG. 4 is a rear elevation view of the wheel of FIG. 1; and FIG. 5 is a front elevation view of the wheel of FIG. 1. FIG. 6 is a top plan view of the wheel of FIG. 1; FIG. 7 is a bottom plan view of the wheel of FIG. 1; FIG. 8 is a perspective view of a second embodiment of a wheel of our new design; FIG. 9 is a right side elevation view of the wheel of FIG. 8; FIG. 10 is a left side elevation view of the wheel of FIG. 8; FIG. 11 is a front elevation view of the wheel of FIG. 8; FIG. 12 is a rear elevation view of the wheel of FIG. 8; FIG. 13 is a bottom plan view of the wheel of FIG. 8; and, FIG. 14 is a top plan view of the wheel of FIG. 8. The broken lines in the drawings illustrate portions of the wheel that form no part of the claimed design.

**1 Claim, 10 Drawing Sheets**



(56)

References Cited

U.S. PATENT DOCUMENTS

5,445,439 A 8/1995 Dietrich  
5,707,114 A \* 1/1998 Schlanger ..... 301/58  
D401,204 S \* 11/1998 Al-Sabah ..... D12/204  
D401,207 S \* 11/1998 Al-Sabah ..... D12/209  
D407,053 S \* 3/1999 Al-Sabah ..... D12/209  
5,931,544 A 8/1999 Dietrich  
5,938,293 A 8/1999 Dietrich  
5,947,565 A 9/1999 Dietrich  
6,024,414 A 2/2000 Dietrich  
6,145,938 A 11/2000 Dietrich

6,244,667 B1 6/2001 Dietrich  
D462,042 S \* 8/2002 Bernardi ..... D12/205  
6,428,113 B2 8/2002 Dietrich  
6,497,042 B1 12/2002 Dietrich  
D472,507 S \* 4/2003 Passarotto ..... D12/205  
6,715,844 B2 4/2004 Dietrich  
6,846,047 B2 1/2005 Dietrich  
D543,921 S \* 6/2007 Sieve et al. .... D12/207  
D596,547 S \* 7/2009 Passarotto et al. .... D12/205  
D690,641 S \* 10/2013 Winshtein et al. .... D12/209  
D697,002 S \* 1/2014 Tanevski ..... D12/209  
D698,719 S \* 2/2014 Saracoglu ..... D12/209

\* cited by examiner

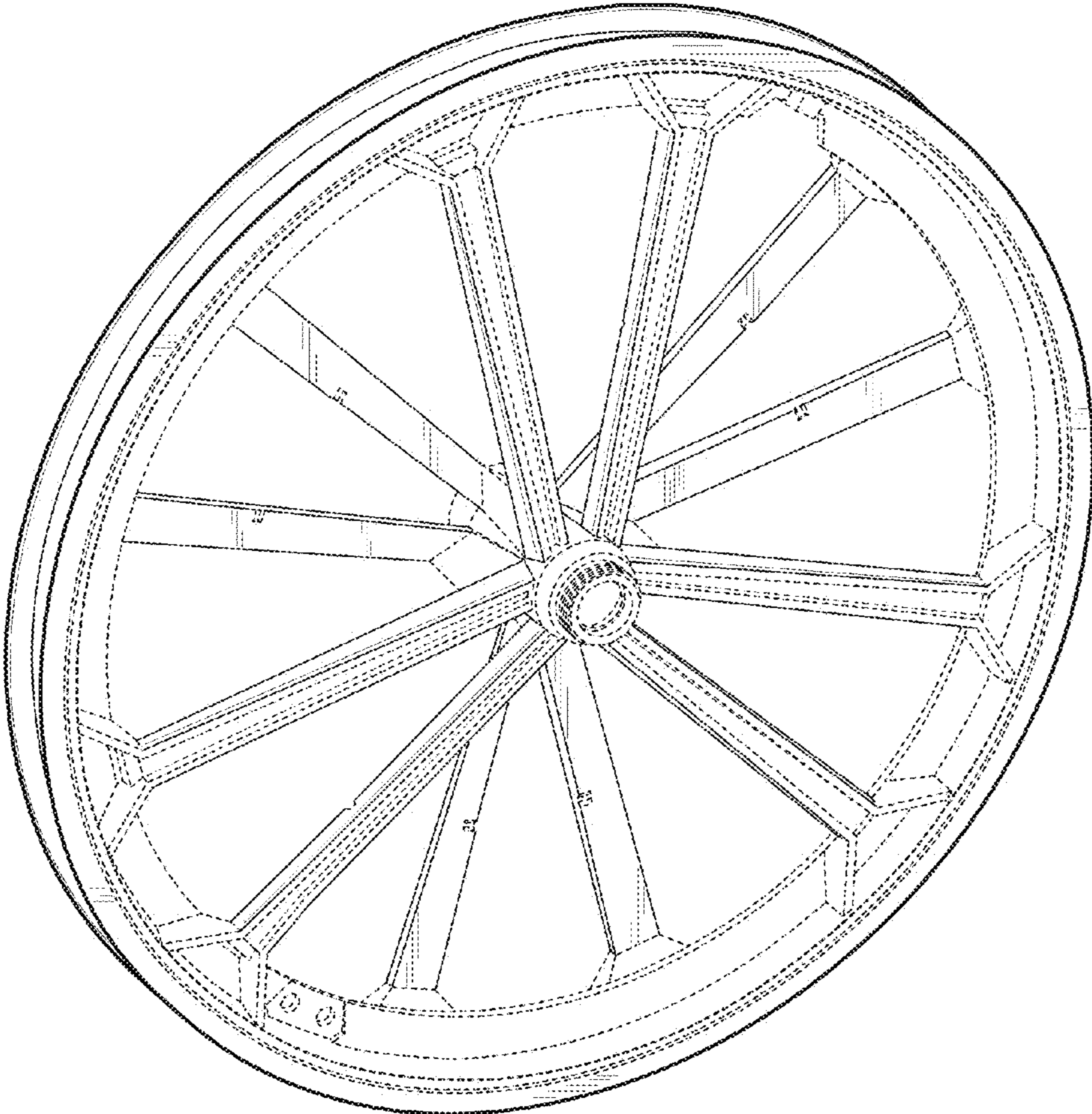


FIG. 1



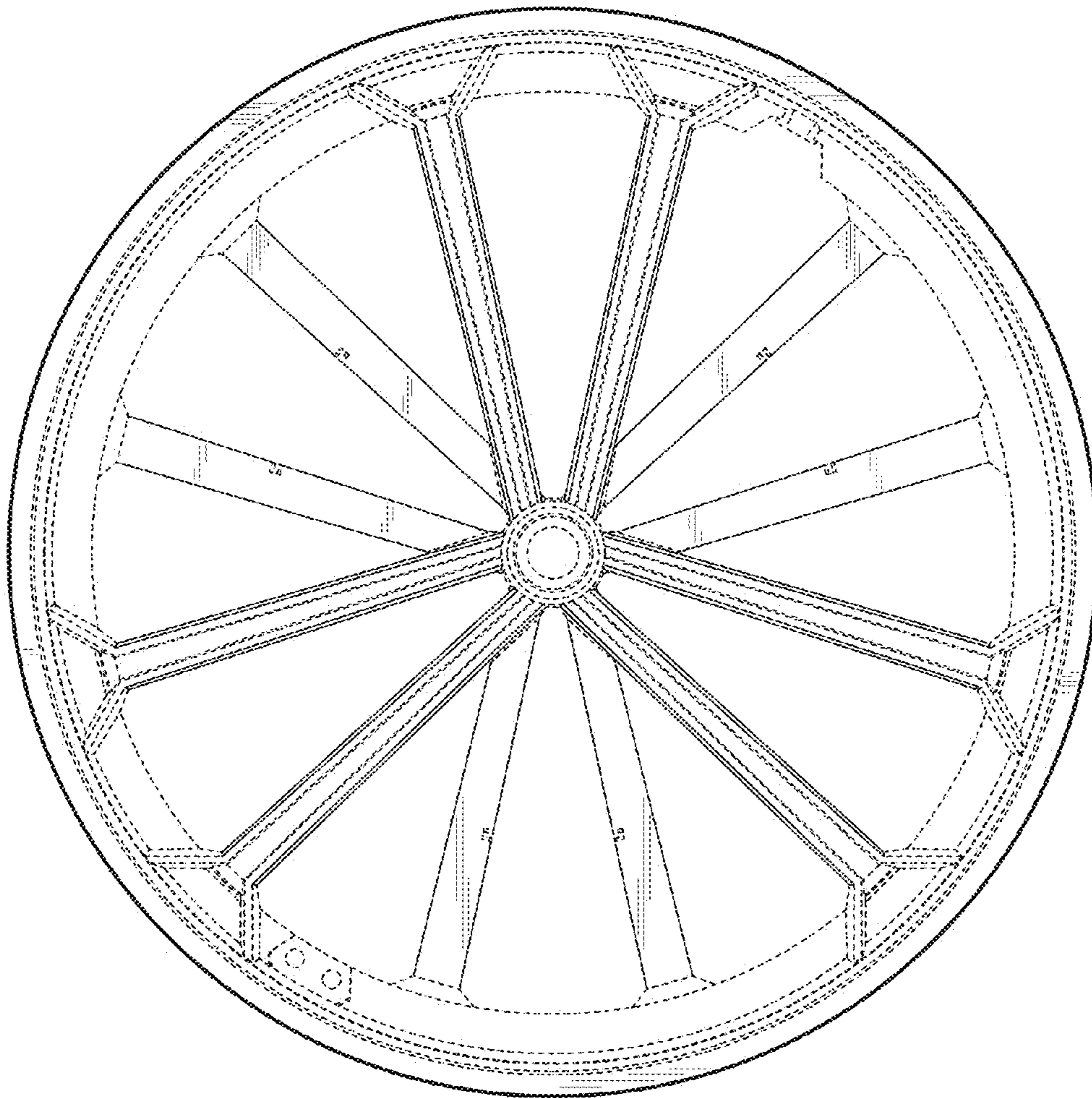


FIG. 2

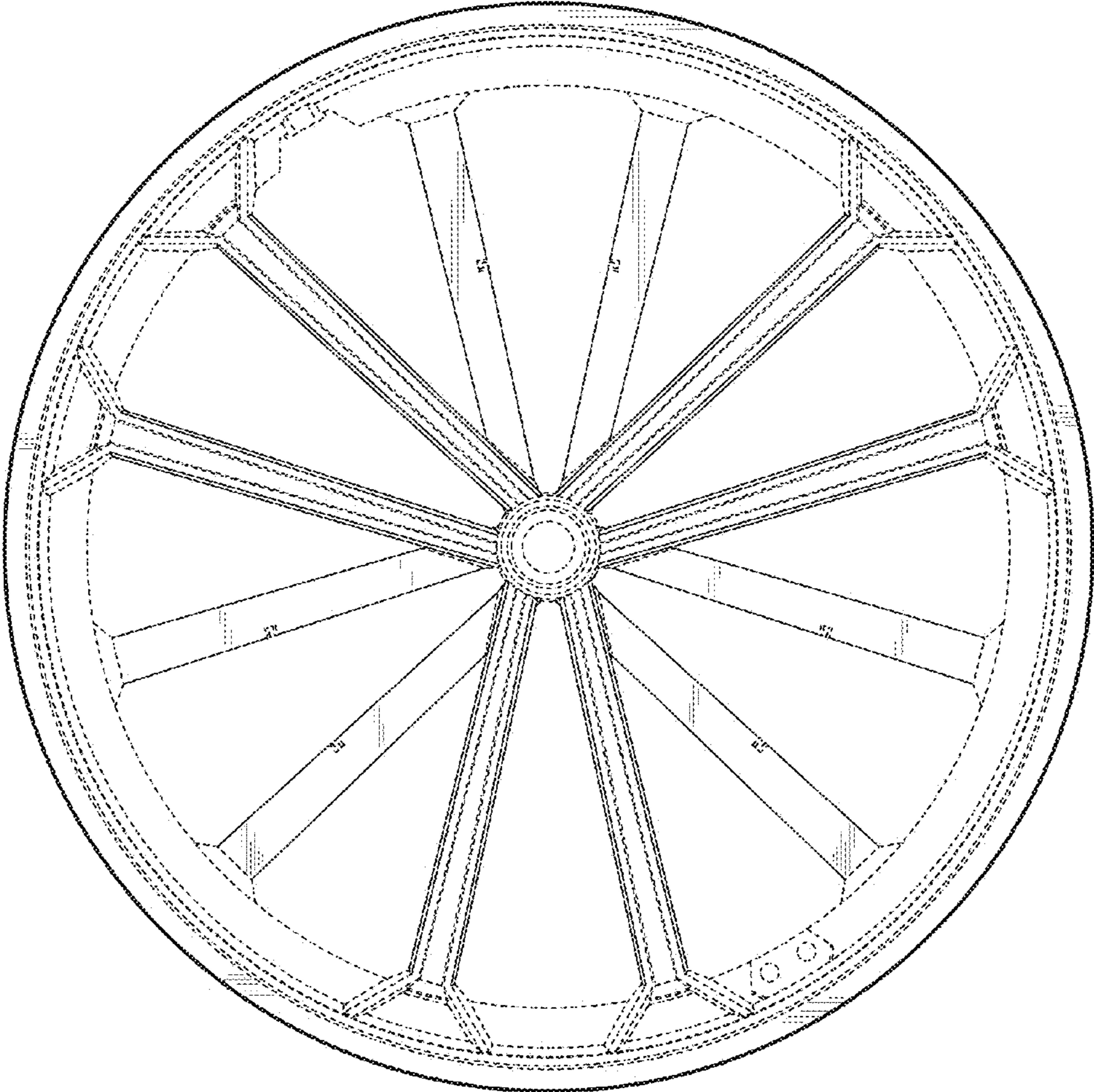


FIG. 3

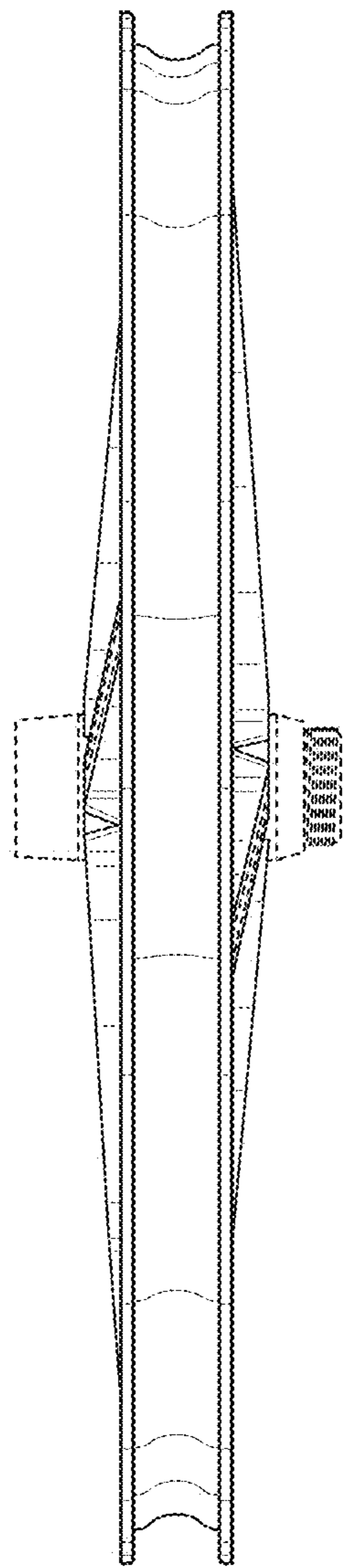


FIG. 4

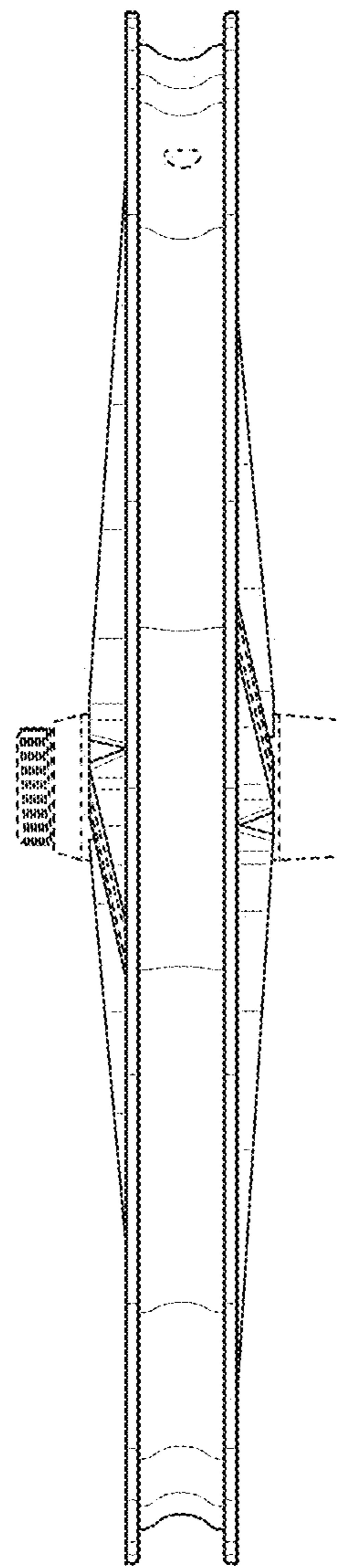


FIG. 5

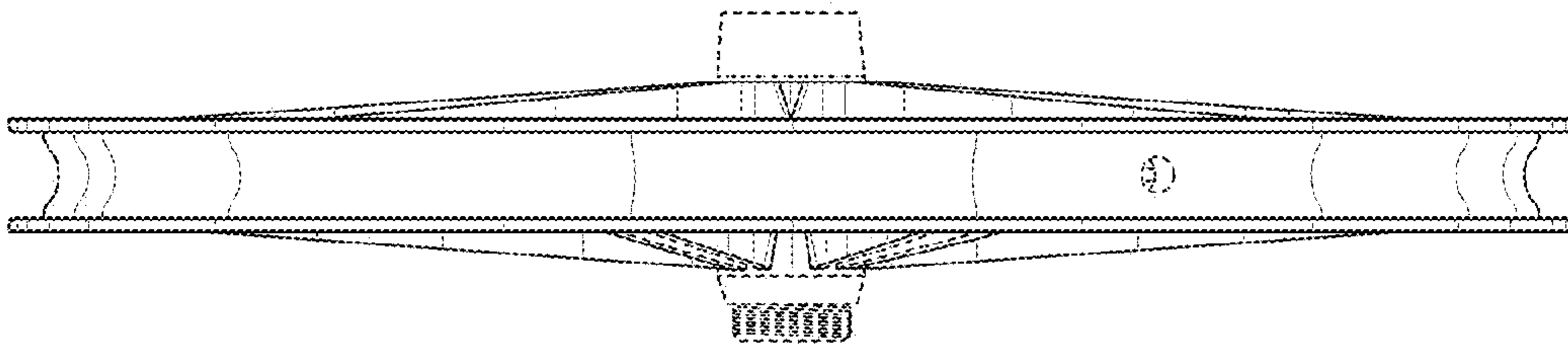


FIG. 6

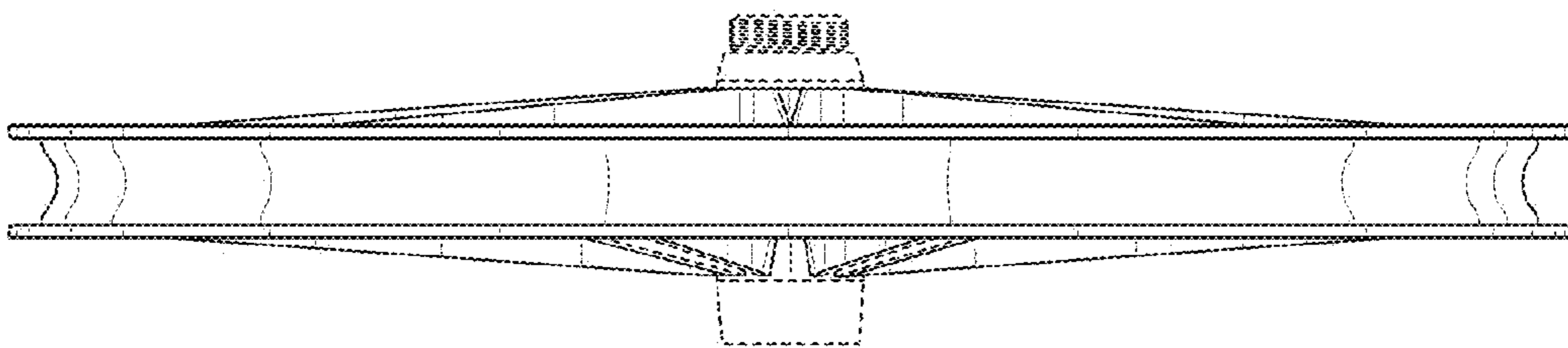


FIG. 7



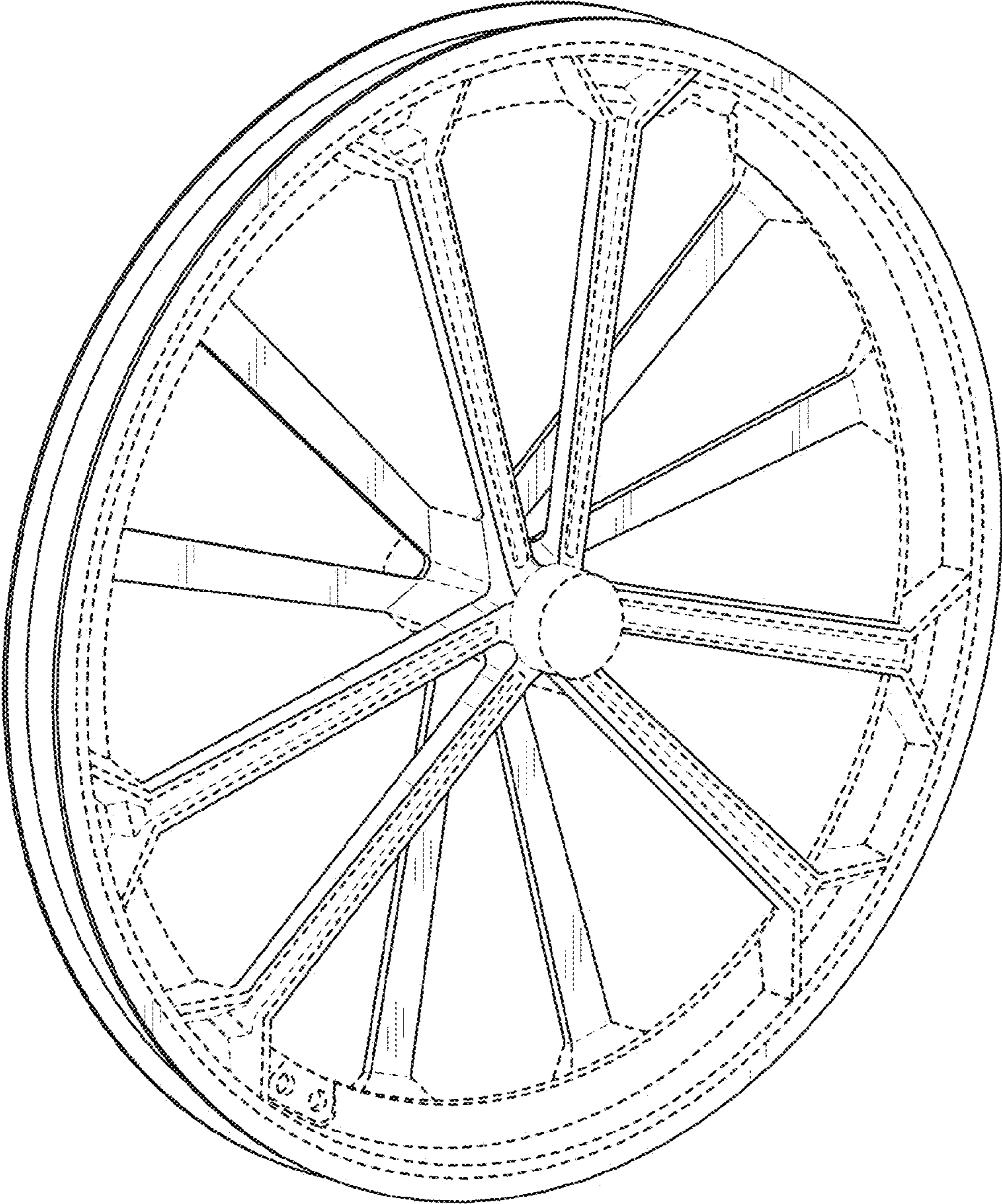


FIG. 8



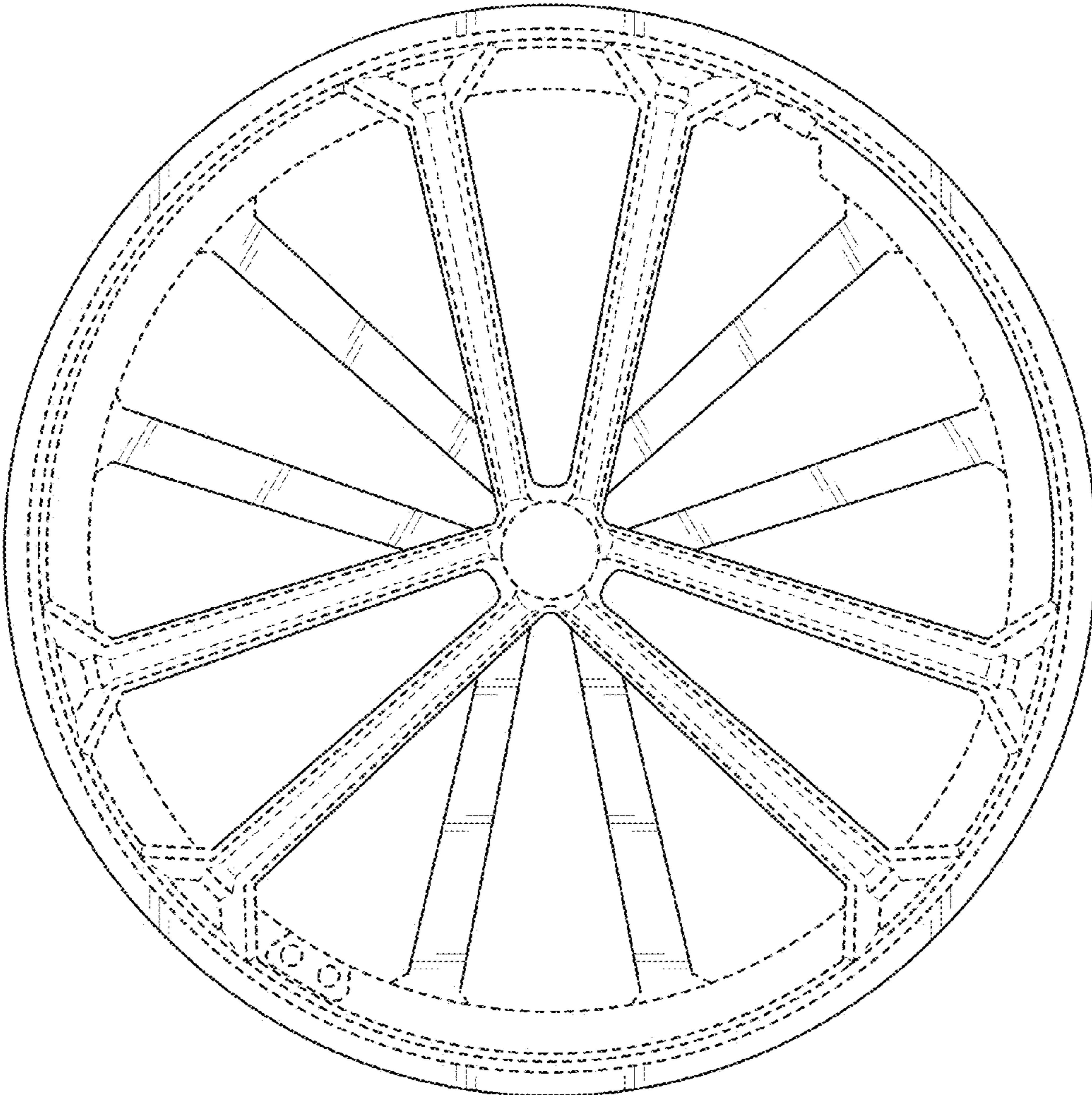


FIG. 9

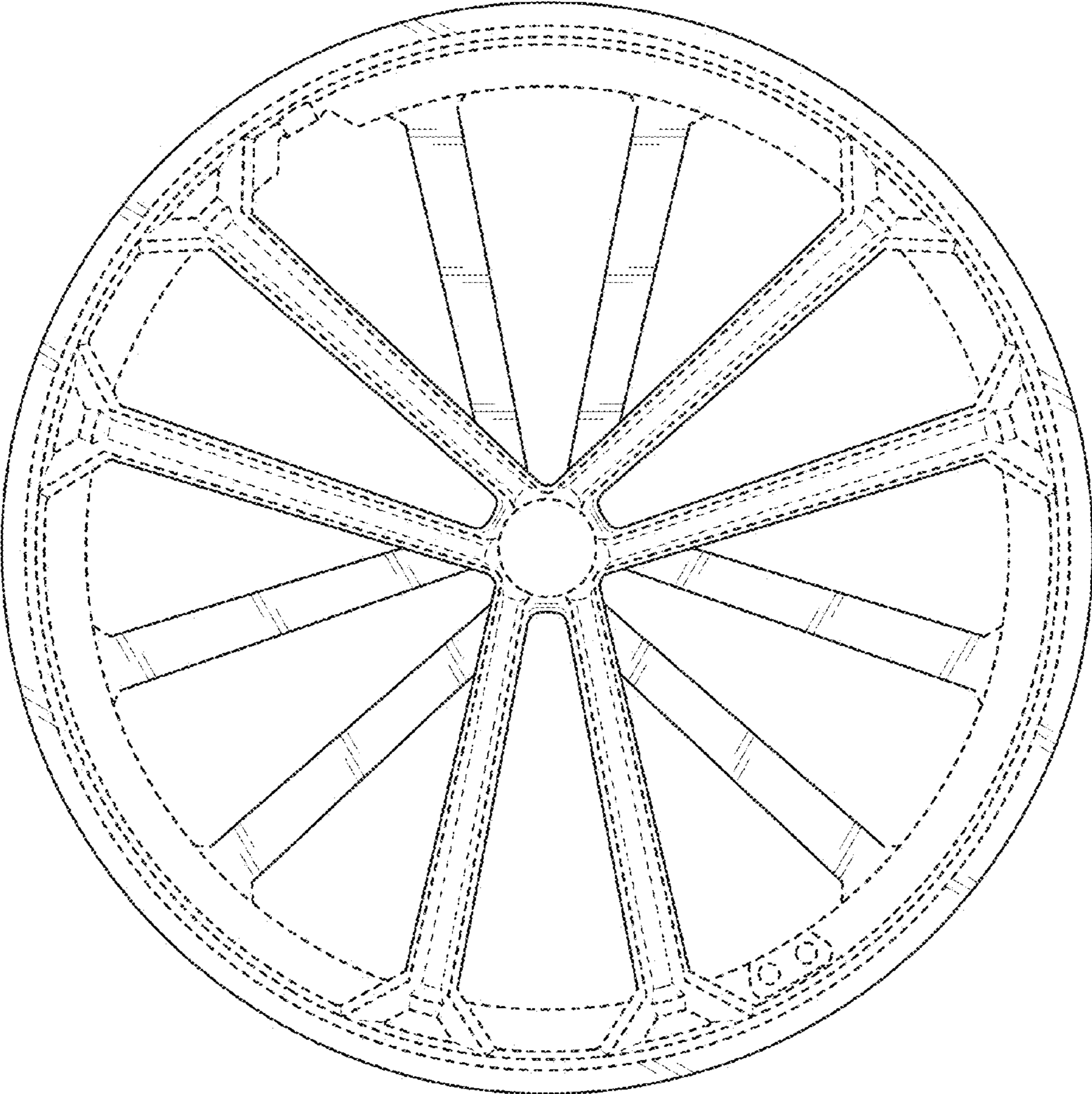


FIG. 10

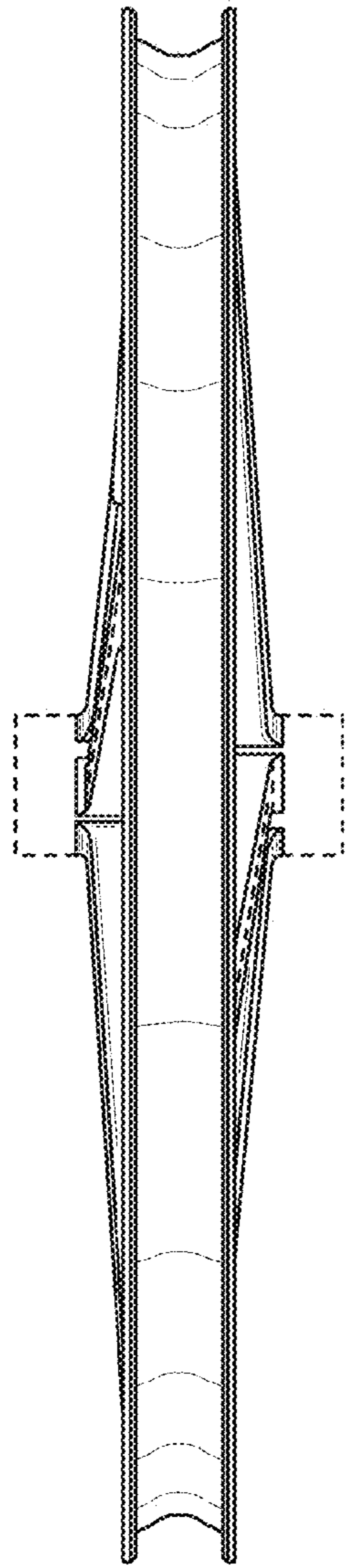


FIG. 11

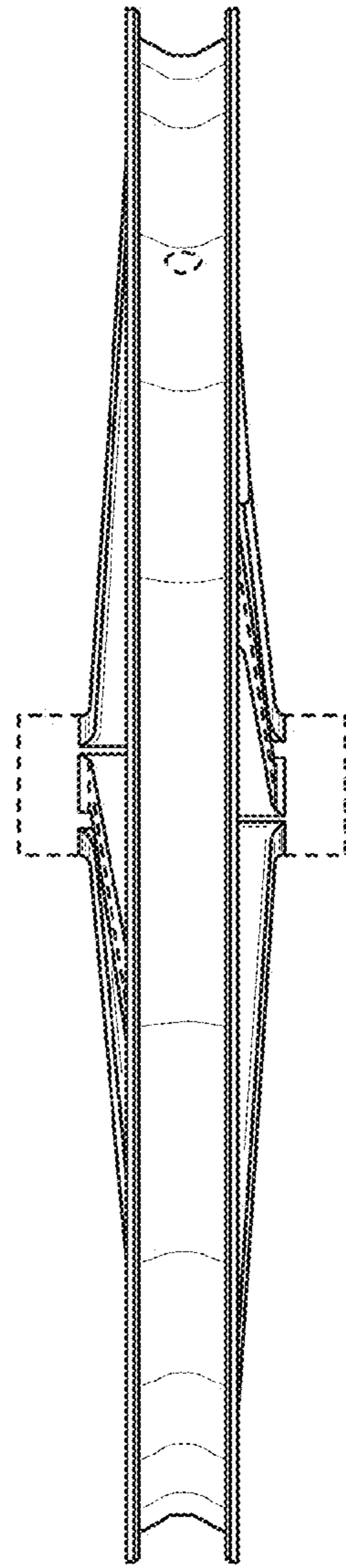


FIG. 12



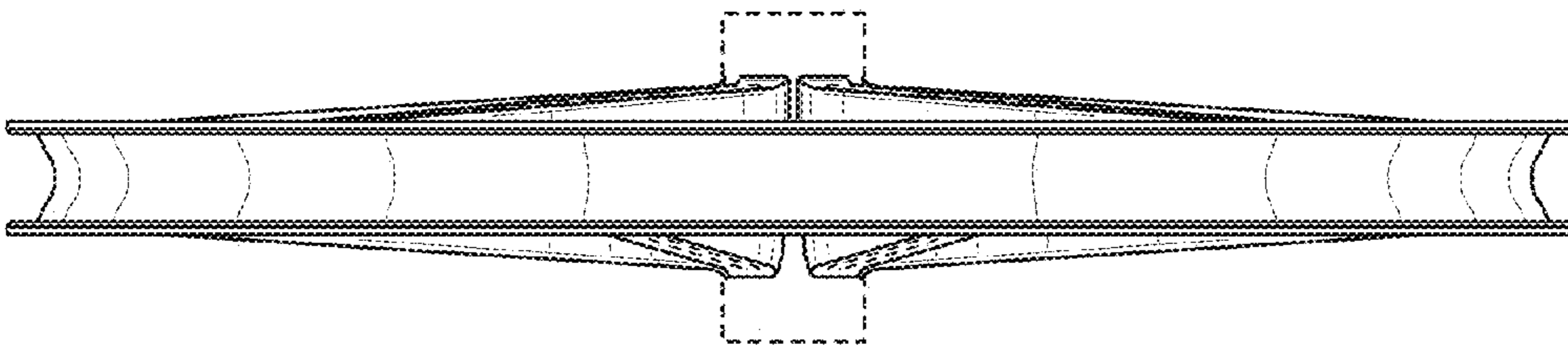


FIG. 13

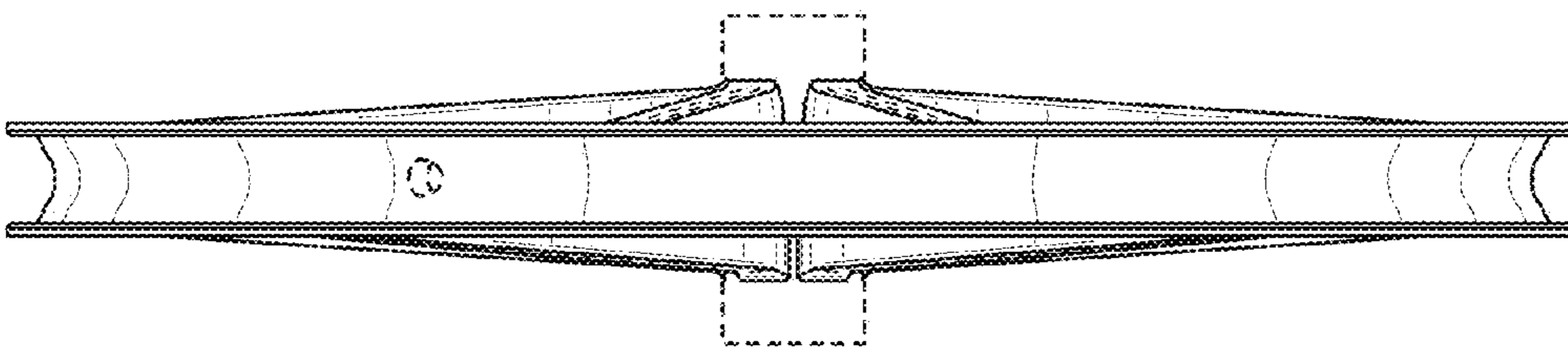


FIG. 14