



US00D741772S

(12) **United States Design Patent**
Lesnik

(10) **Patent No.:** **US D741,772 S**
(45) **Date of Patent:** **** Oct. 27, 2015**

(54) **WHEEL OR WHEEL COVER**
(71) Applicant: **Daimler AG**, Stuttgart (DE)
(72) Inventor: **Robert Lesnik**, Leonberg (DE)
(73) Assignee: **Daimler AG**, Stuttgart (DE)
(**) Term: **14 Years**
(21) Appl. No.: **29/438,915**
(22) Filed: **Dec. 5, 2012**

(30) **Foreign Application Priority Data**

Jun. 6, 2012 (EM) 002053256-0005

(51) **LOC (10) Cl.** **12-16**

(52) **U.S. Cl.**
USPC **D12/211**

(58) **Field of Classification Search**
USPC D12/204-213
CPC B60B 7/00; B60B 7/02; B60B 7/04;
B60B 7/01; B60B 7/06; B60B 3/02; B60B
3/04; B60B 3/06; B60B 3/10; B60B 1/00;
B60B 1/08; B60B 1/10; B60B 1/12
See application file for complete search history.

(56) **References Cited**

U.S. PATENT DOCUMENTS

D477,556 S * 7/2003 Koch D12/211
D508,007 S * 8/2005 Koch D12/211

D535,935 S * 1/2007 Scheu D12/211
D537,026 S * 2/2007 Nordmann D12/209
D609,624 S * 2/2010 Matsubara D12/211
D617,249 S * 6/2010 Juergens et al. D12/211
D620,871 S * 8/2010 Juergens et al. D12/211
D635,077 S * 3/2011 Nordmann D12/209
D639,225 S * 6/2011 Forschner D12/211
D671,479 S * 11/2012 Gonser D12/209
D673,494 S * 1/2013 Lemke D12/209
D686,965 S * 7/2013 Pollmann D12/211
D713,317 S * 9/2014 Akojima D12/211

* cited by examiner

Primary Examiner — Stacia Cadmus

(74) *Attorney, Agent, or Firm* — Crowell & Moring LLP

(57) **CLAIM**

The ornamental design for a wheel or wheel cover, as shown and described.

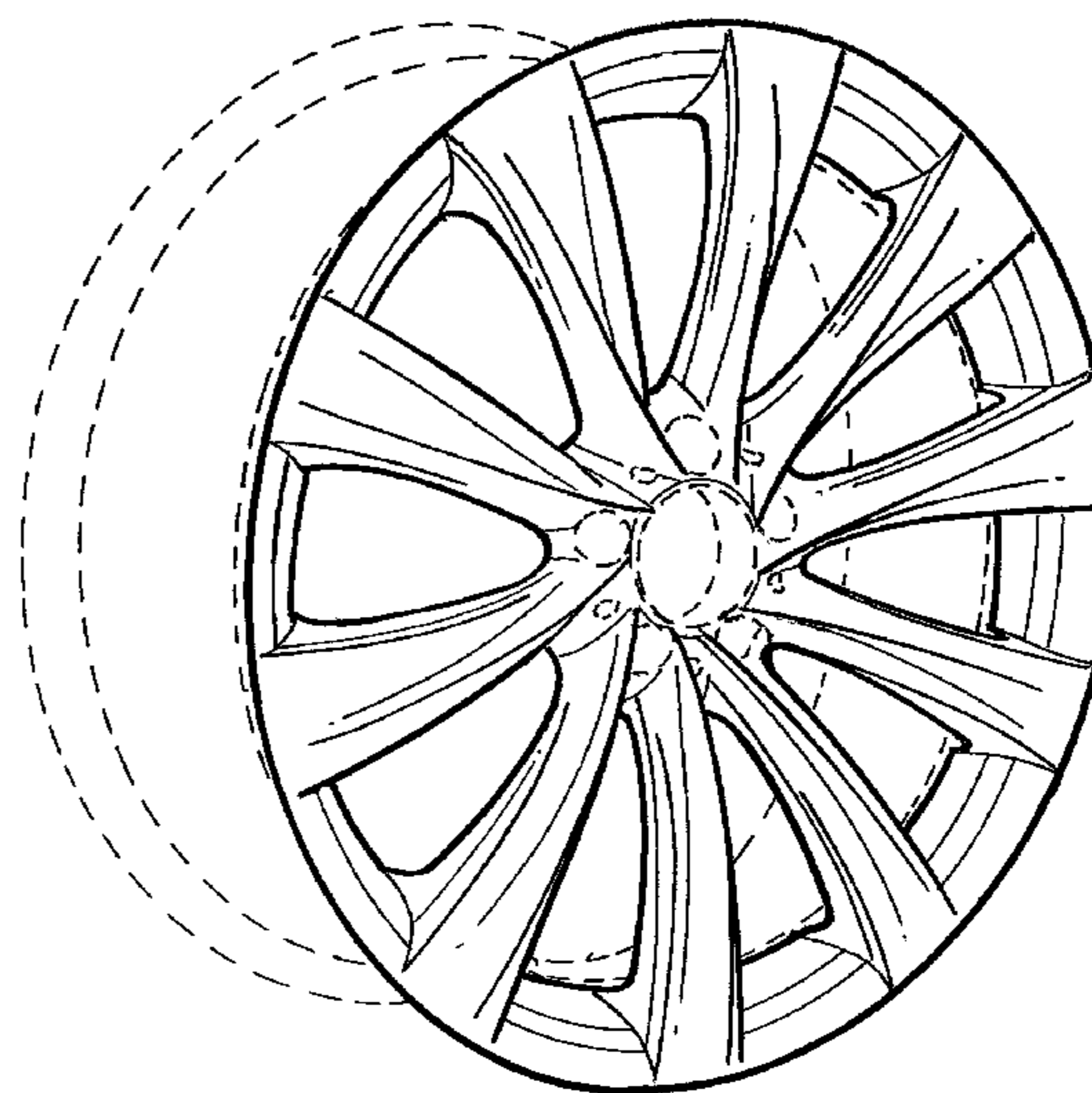
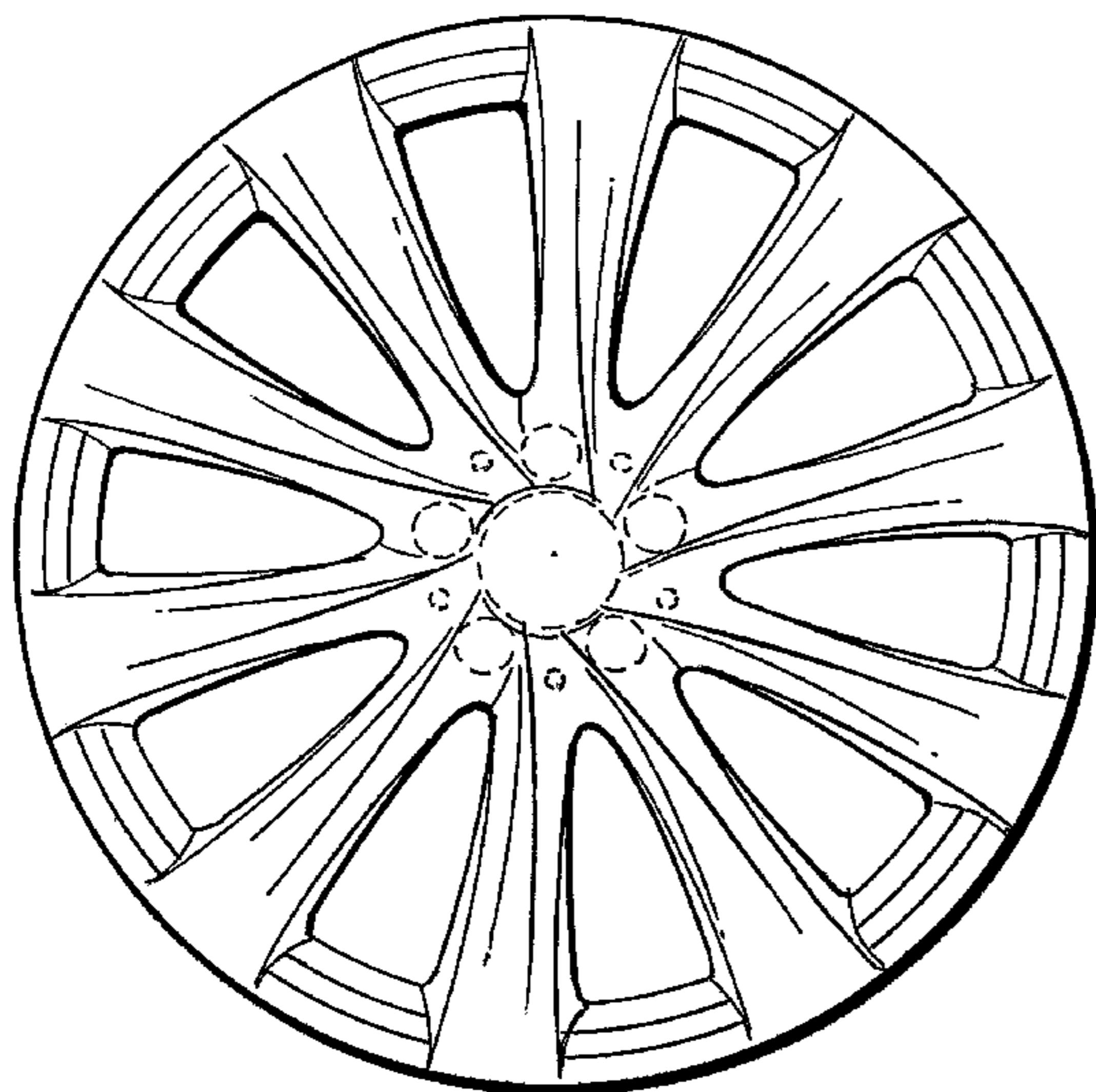
DESCRIPTION

FIG. 1 is a front view of a wheel or wheel cover according to the design; and,

FIG. 2 is a perspective view thereof.

The broken line showing of the rear of the wheel and the bolt holes and center opening in the central hub area is included for the purpose of illustrating environment and forms no part of the claimed design.

1 Claim, 1 Drawing Sheet



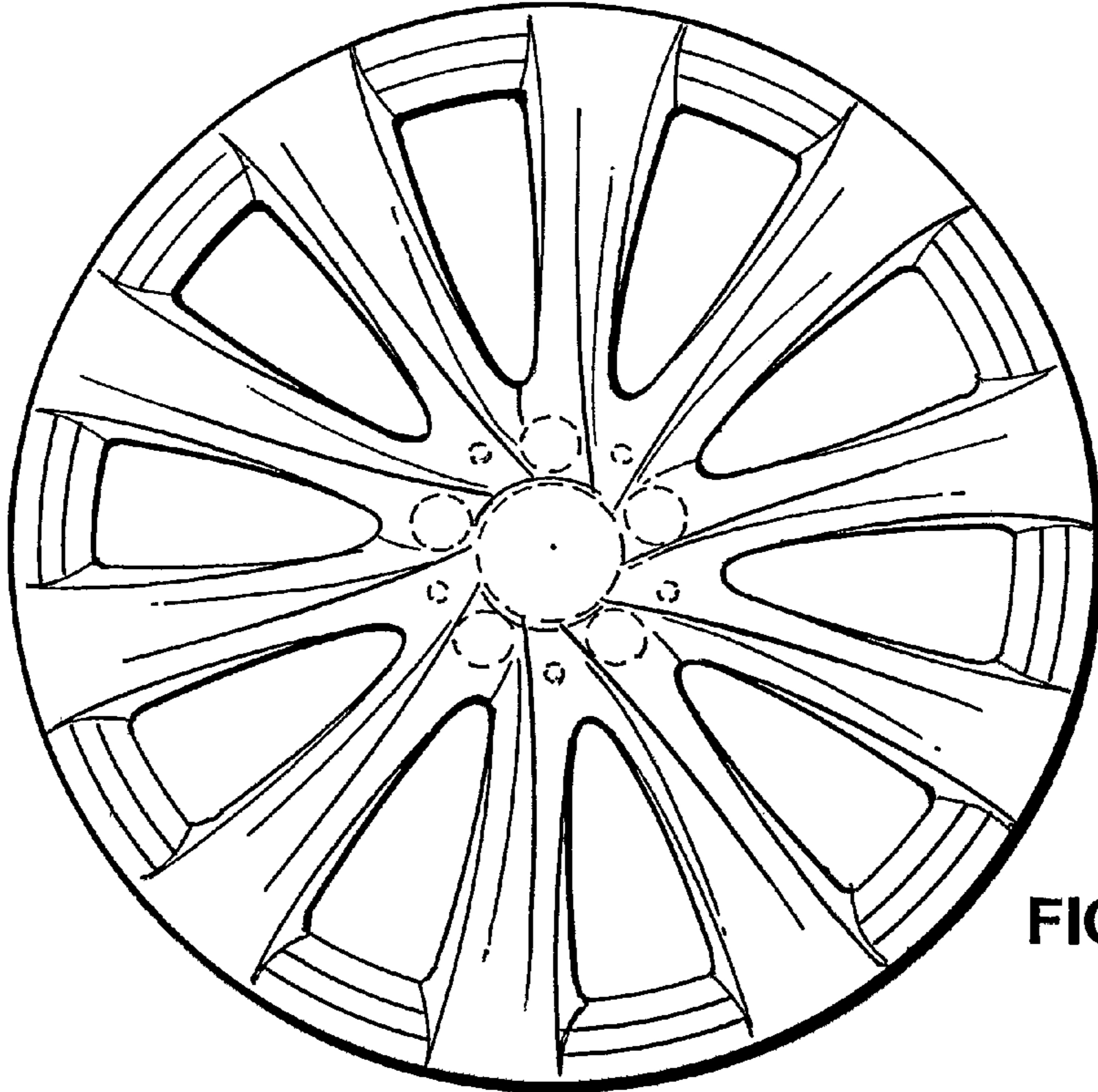


FIG. 1

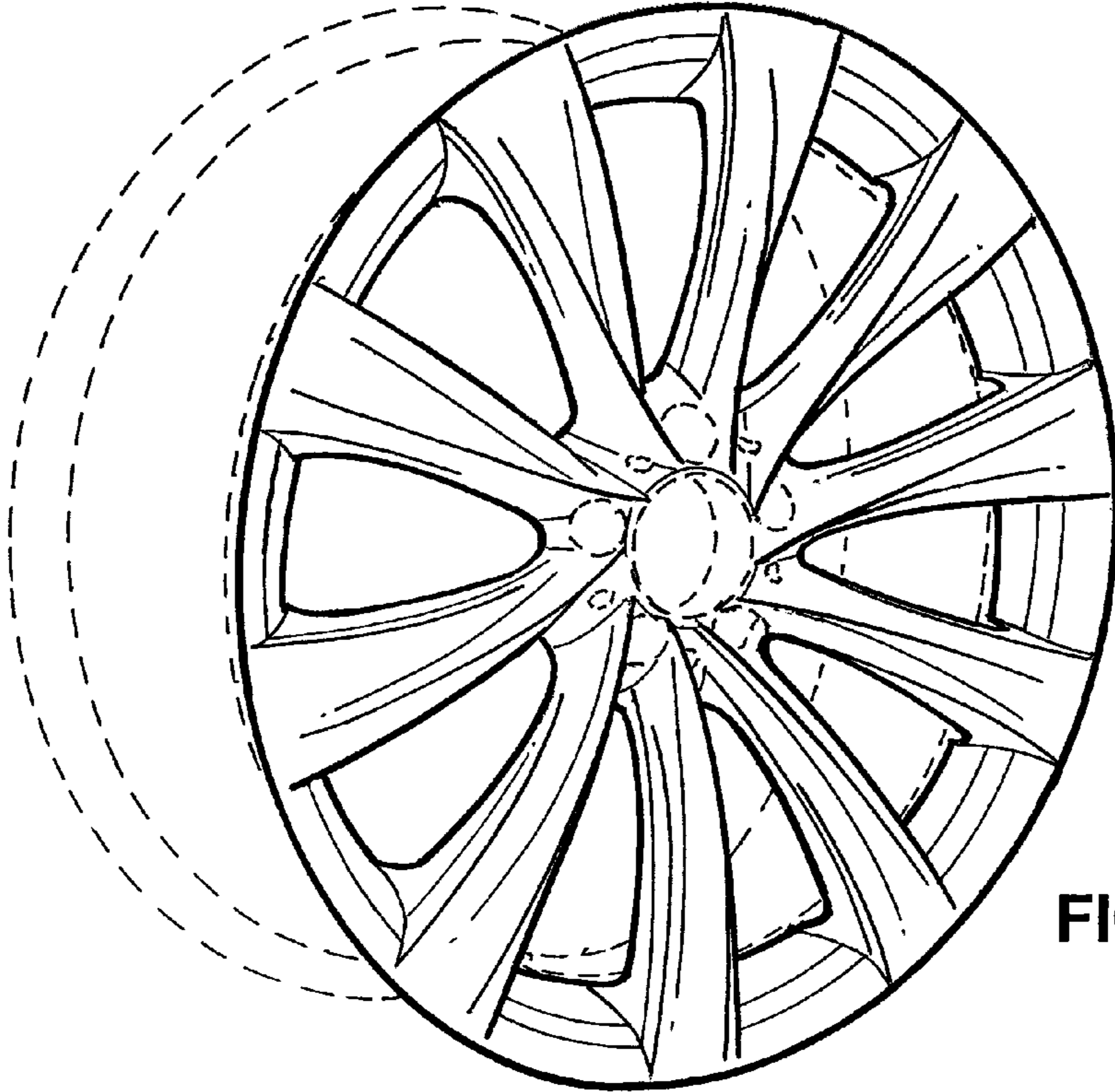


FIG. 2