



US00D741771S

(12) **United States Design Patent**
Johnson

(10) **Patent No.:** **US D741,771 S**
(45) **Date of Patent:** **** Oct. 27, 2015**

(54) **AUTOMOTIVE WHEEL**

(71) Applicant: **Kelly R. Johnson**, City of Industry, CA
(US)

(72) Inventor: **Kelly R. Johnson**, City of Industry, CA
(US)

(73) Assignee: **THE WHEEL GROUP**, City of
Industry, CA (US)

(**) Term: **15 Years**

(21) Appl. No.: **29/528,929**

(22) Filed: **Jun. 2, 2015**

(51) **LOC (10) Cl.** **12-16**

(52) **U.S. Cl.**
USPC **D12/209**

(58) **Field of Classification Search**
USPC D12/204–213
CPC B60B 7/00; B60B 7/02; B60B 7/04;
B60B 7/01; B60B 7/06; B60B 3/02; B60B
3/04; B60B 3/06; B60B 3/10; B60B 1/00;
B60B 1/08; B60B 1/10; B60B 1/12

See application file for complete search history.

(56) **References Cited**

U.S. PATENT DOCUMENTS

D432,071 S *	10/2000	Brown	D12/211
D500,005 S *	12/2004	van Hooydonk	D12/211
D516,991 S *	3/2006	Guevara	D12/211
D526,947 S *	8/2006	Kim	D12/209
D535,603 S *	1/2007	Guevara	D12/209
D583,742 S *	12/2008	Juergens	D12/211
D612,787 S *	3/2010	Juergens	D12/209
D667,769 S *	9/2012	Pollmann	D12/209
D671,480 S *	11/2012	Cepkova	D12/209
D695,670 S *	12/2013	De Bono	D12/209
D704,119 S *	5/2014	Platto	D12/209
D710,287 S *	8/2014	Ishii	D12/209
D719,890 S *	12/2014	Johnson	D12/209
D732,450 S *	6/2015	Guille	D12/209

* cited by examiner

Primary Examiner — Stacia Cadmus

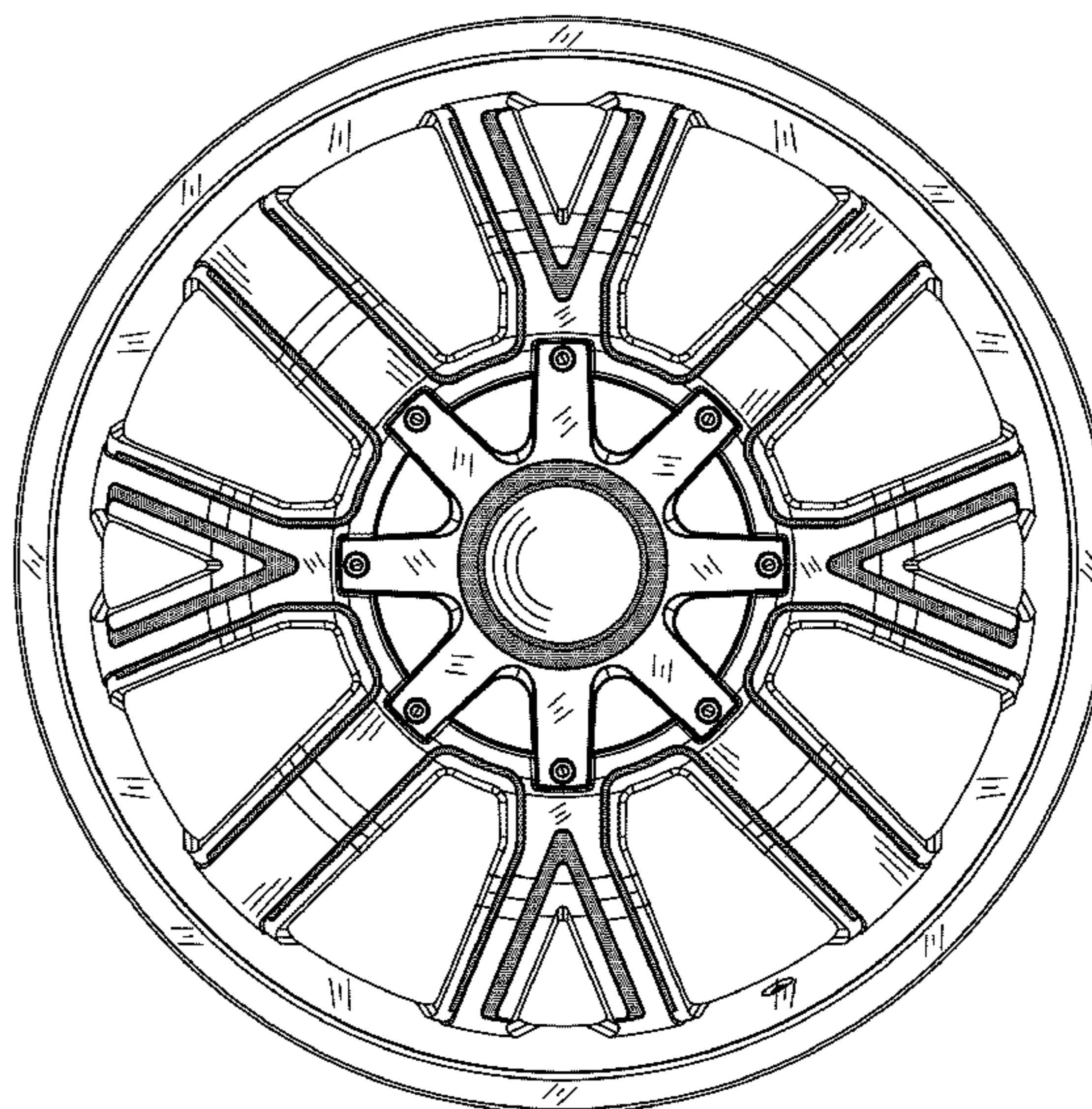
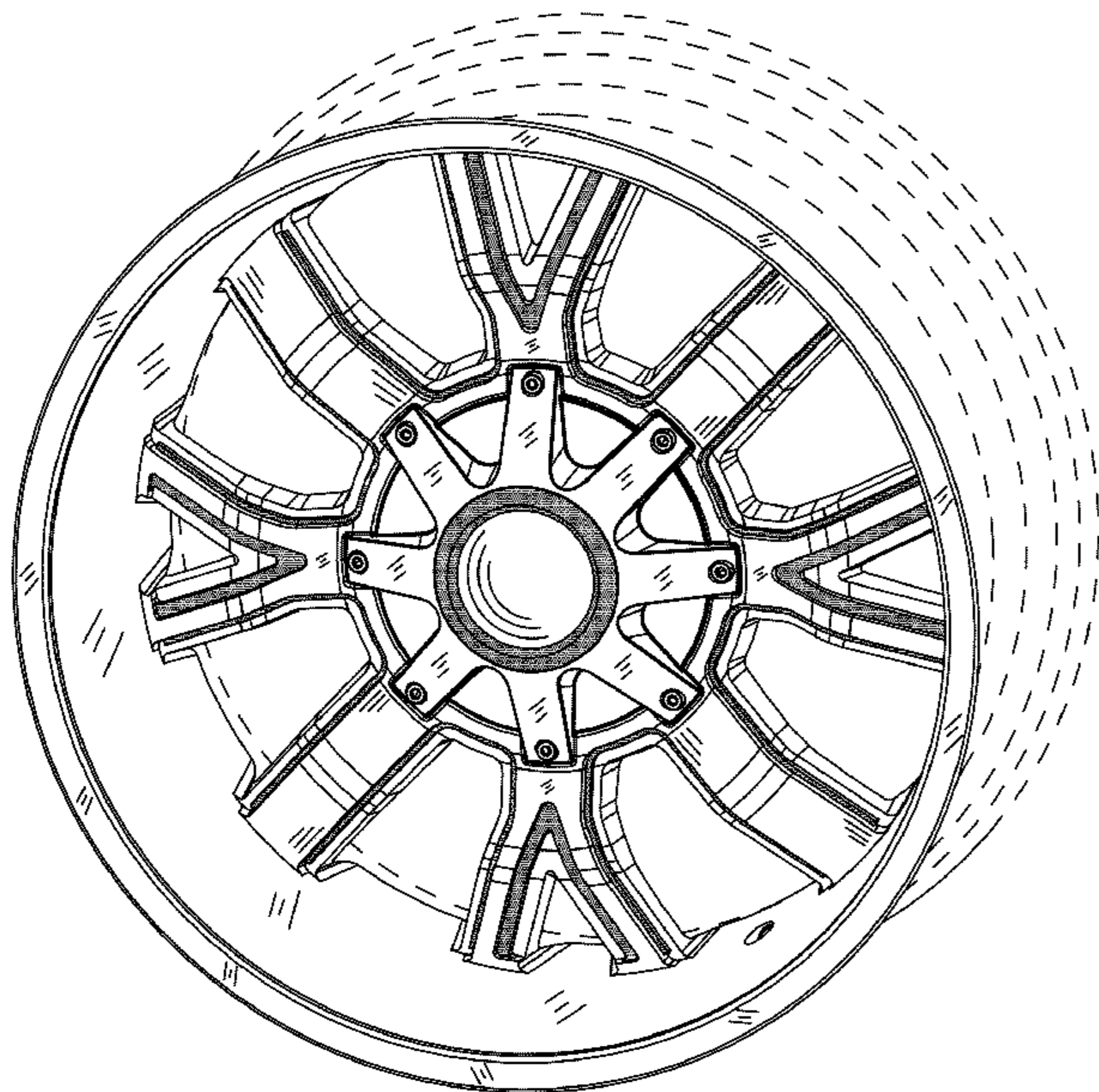
(57) **CLAIM**

The ornamental design for an automotive wheel, as show and described.

DESCRIPTION

FIG. 1 is a perspective view of an automotive wheel showing my new design; and, FIG. 2 is a front elevational view thereof. The broken line showing of the rear portion of the rim is included for the purpose of illustrating environment and forms no part of the claimed design.

1 Claim, 2 Drawing Sheets



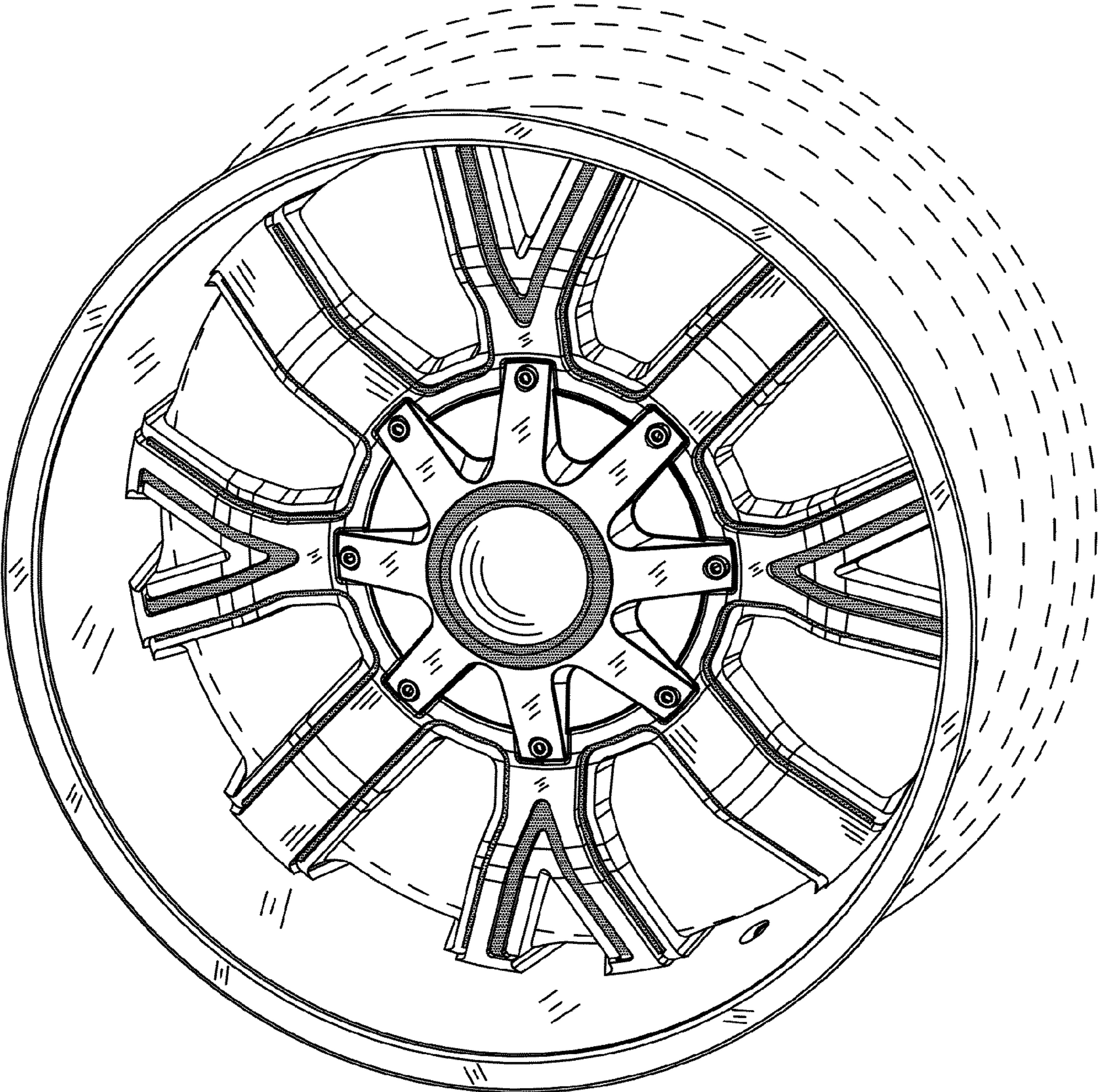


FIG.1

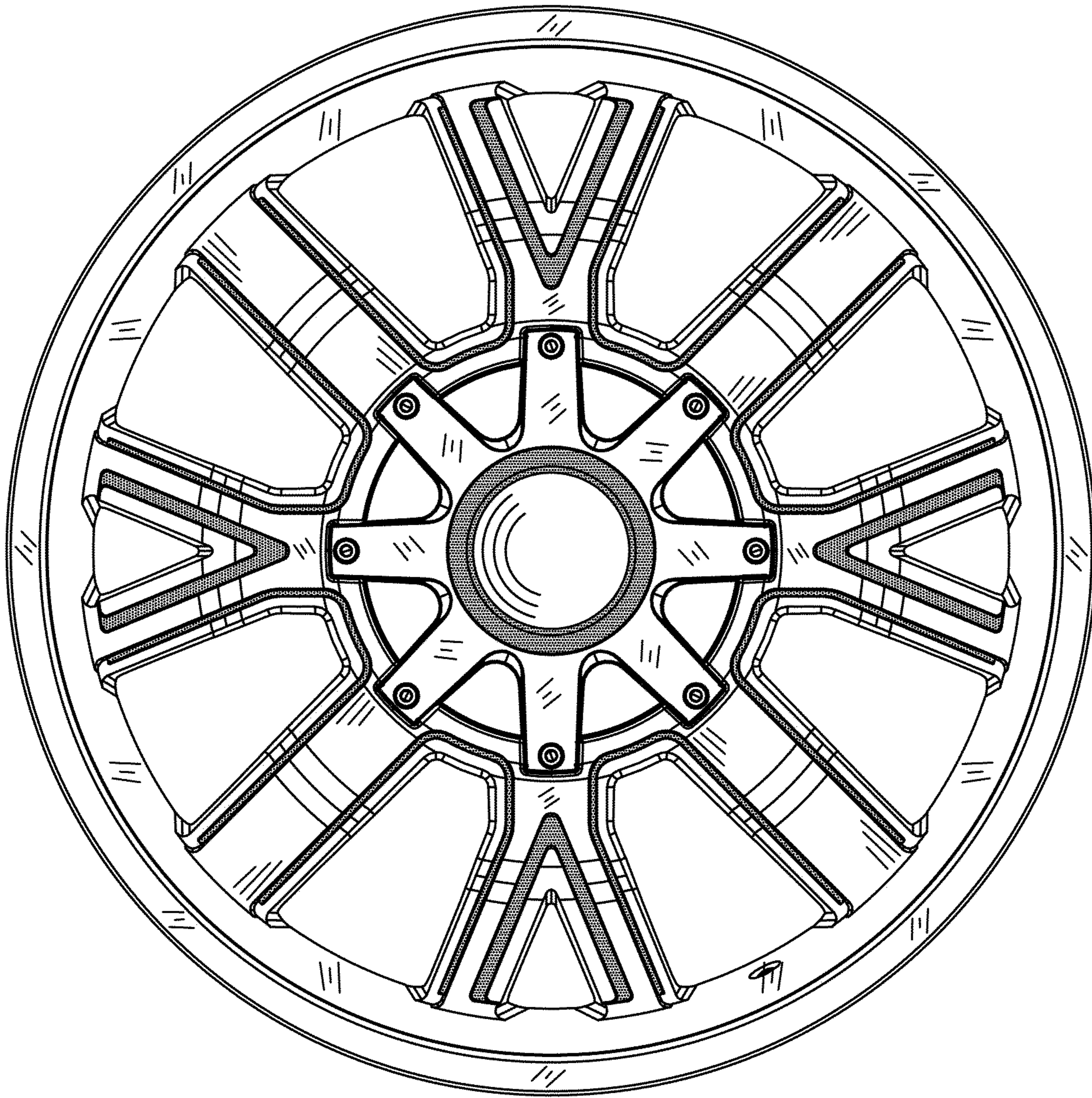


FIG.2