



US00D741765S

(12) **United States Design Patent**
Nakamura et al.

(10) **Patent No.:** **US D741,765 S**
(45) **Date of Patent:** **** Oct. 27, 2015**

(54) **INFORMATION DISPLAY PANEL USED IN AN AUTOMOBILE**

- (71) Applicant: **Japan Display Inc.**, Tokyo (JP)
- (72) Inventors: **Akio Nakamura**, Tokyo (JP); **Daichi Suzuki**, Tokyo (JP); **Kazuyuki Yamada**, Tokyo (JP)
- (73) Assignee: **Japan Display Inc.**, Tokyo (JP)
- (**) Term: **14 Years**
- (21) Appl. No.: **29/465,563**
- (22) Filed: **Aug. 29, 2013**

(30) **Foreign Application Priority Data**

- Jul. 25, 2013 (JP) 2013-016996
- (51) **LOC (10) Cl.** **12-16**
- (52) **U.S. Cl.**
USPC **D12/192**
- (58) **Field of Classification Search**
USPC D12/192, 415, 110, 114; D15/17, 28;
D10/46, 98, 102-103, 122-127
CPC G01C 21/16; G01C 21/3688; G01C 21/30
See application file for complete search history.

(56) **References Cited**

U.S. PATENT DOCUMENTS

- D634,745 S * 3/2011 Park et al. D14/373
- 8,102,231 B2 * 1/2012 Van Nimmen et al. 336/198
- D678,153 S * 3/2013 Amante et al. D12/192
- D679,707 S * 4/2013 Aarrestad et al. D14/373
- D697,862 S * 1/2014 Nemeth et al. D12/345
- D713,839 S * 9/2014 Endo et al. D14/258
- D724,511 S * 3/2015 Ahn et al. D12/192
- D728,438 S * 5/2015 Bachorski et al. D12/192

OTHER PUBLICATIONS

Japanese Patent Office, Office Action issued in connection with Japanese Patent Application No. 2013-016996, dated Dec. 3, 2013. (1 page).
Specification of Japanese Design Patent Application No. 2013-016997, filed on Jul. 25, 2013. (8 pages).

* cited by examiner

Primary Examiner — Katrina A Betton

(74) *Attorney, Agent, or Firm* — K&L Gates LLP

(57) **CLAIM**

The ornamental design for an information display panel used in an automobile, as shown and described.

DESCRIPTION

FIG. 1 illustrates a front view of an information display panel used in an automobile showing our new design;
FIG. 2 illustrates a back view thereof;
FIG. 3 illustrates a side view thereof;
FIG. 4 illustrates a side view thereof;
FIG. 5 illustrates a top view thereof;
FIG. 6 illustrates a bottom view thereof;
FIG. 7 illustrates a side cross section view thereof cut along 7-7 line as shown in FIG. 1 without internal mechanism;
FIG. 8 illustrates a top view of a section thereof illustrating a 8-8 section as shown in FIG. 5;
FIG. 9 illustrates a perspective view thereof;
FIG. 10 illustrates a reference side cross section view thereof cut along 7-7 line as shown in FIG. 1 for illustrating a function of each unit; and,
FIG. 11 illustrates a perspective view thereof illustrating a transparent section with hatching.
The broken lines are for illustrative purposes only; the broken lines form no part of our claimed design.

1 Claim, 6 Drawing Sheets

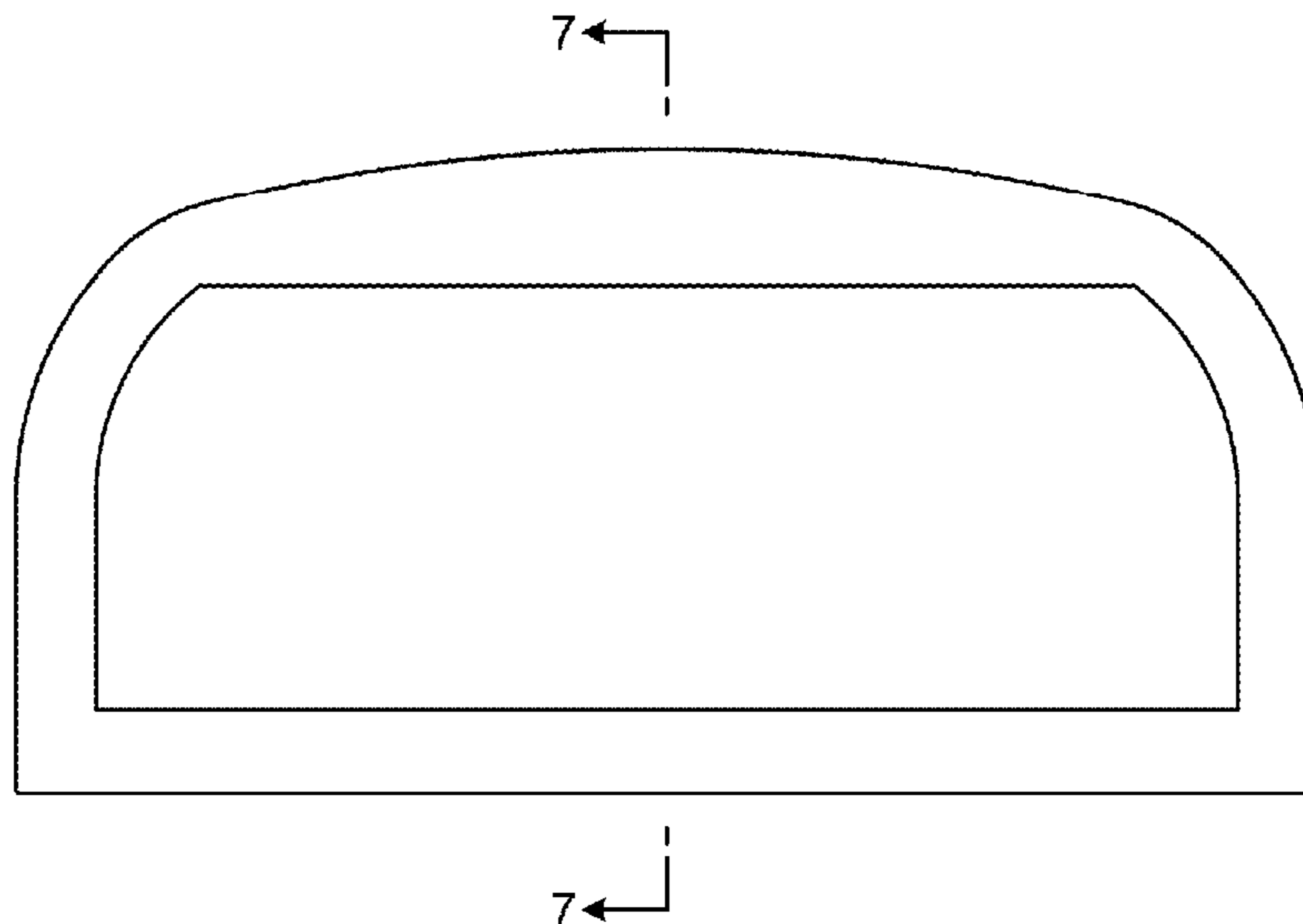


FIGURE 1

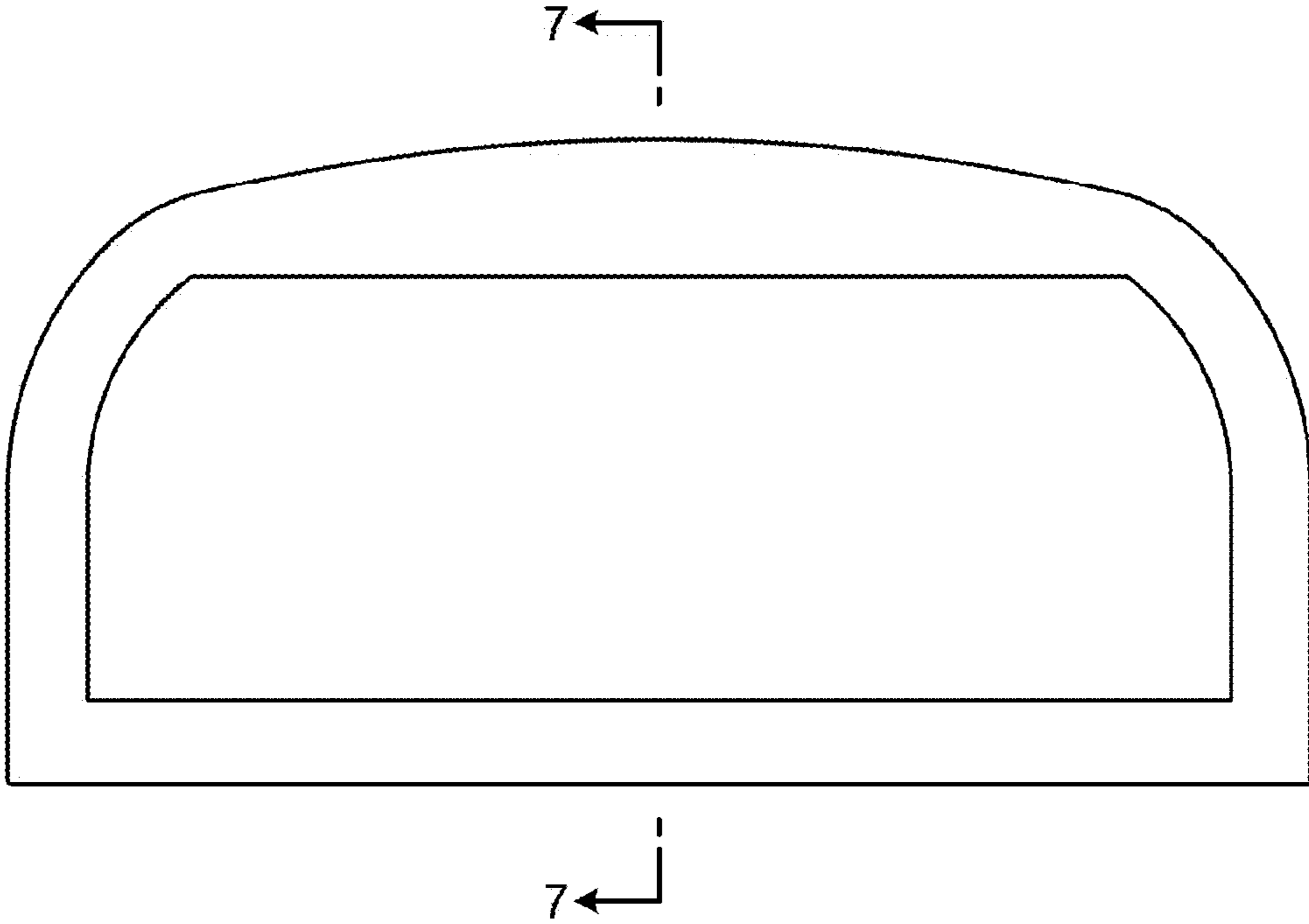


FIGURE 2

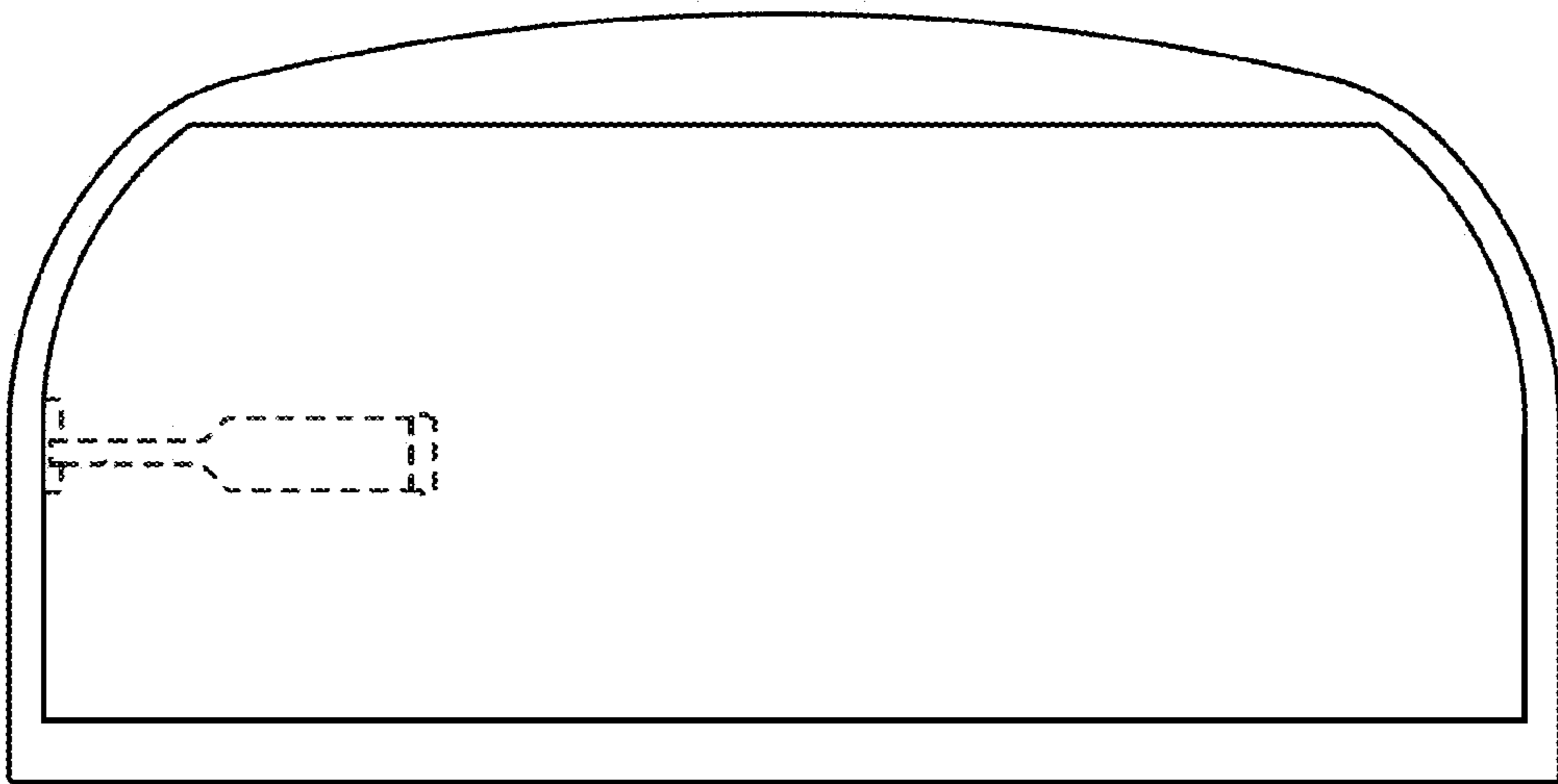


FIGURE 3

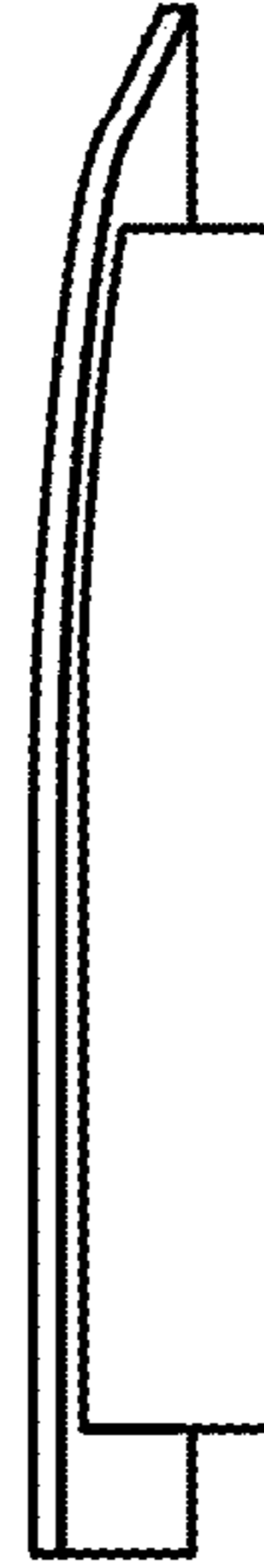


FIGURE 4

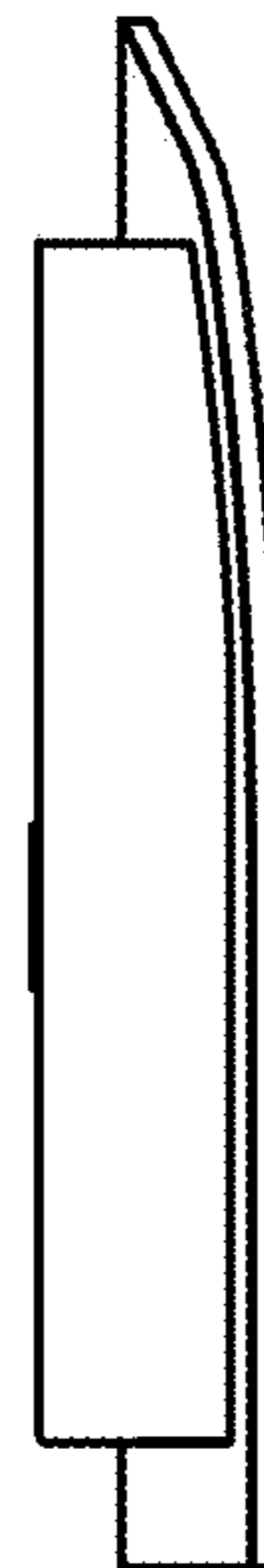


FIGURE 5

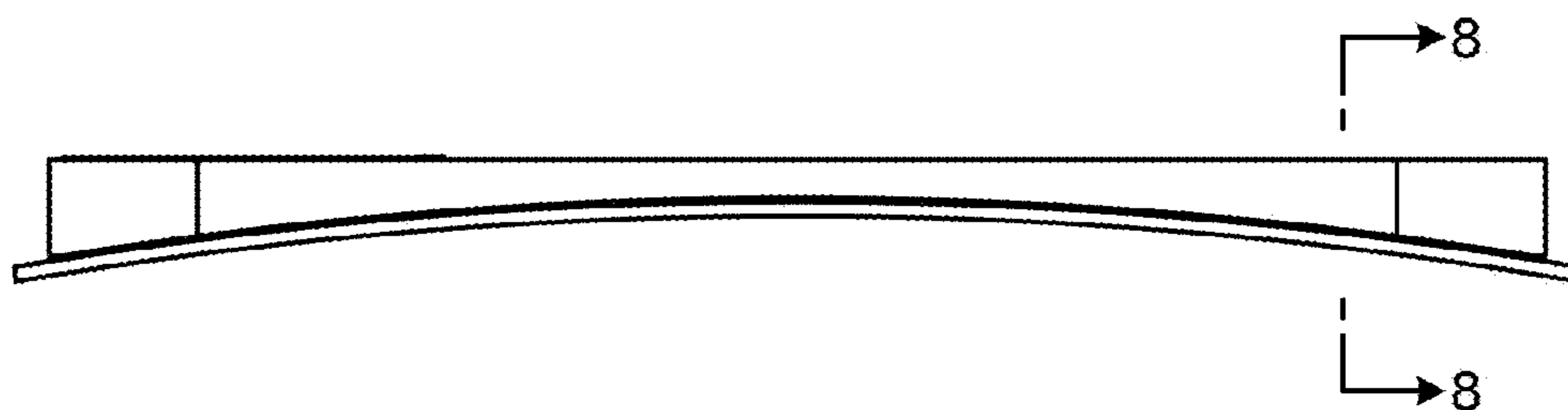


FIGURE 6



FIGURE 7



FIGURE 8

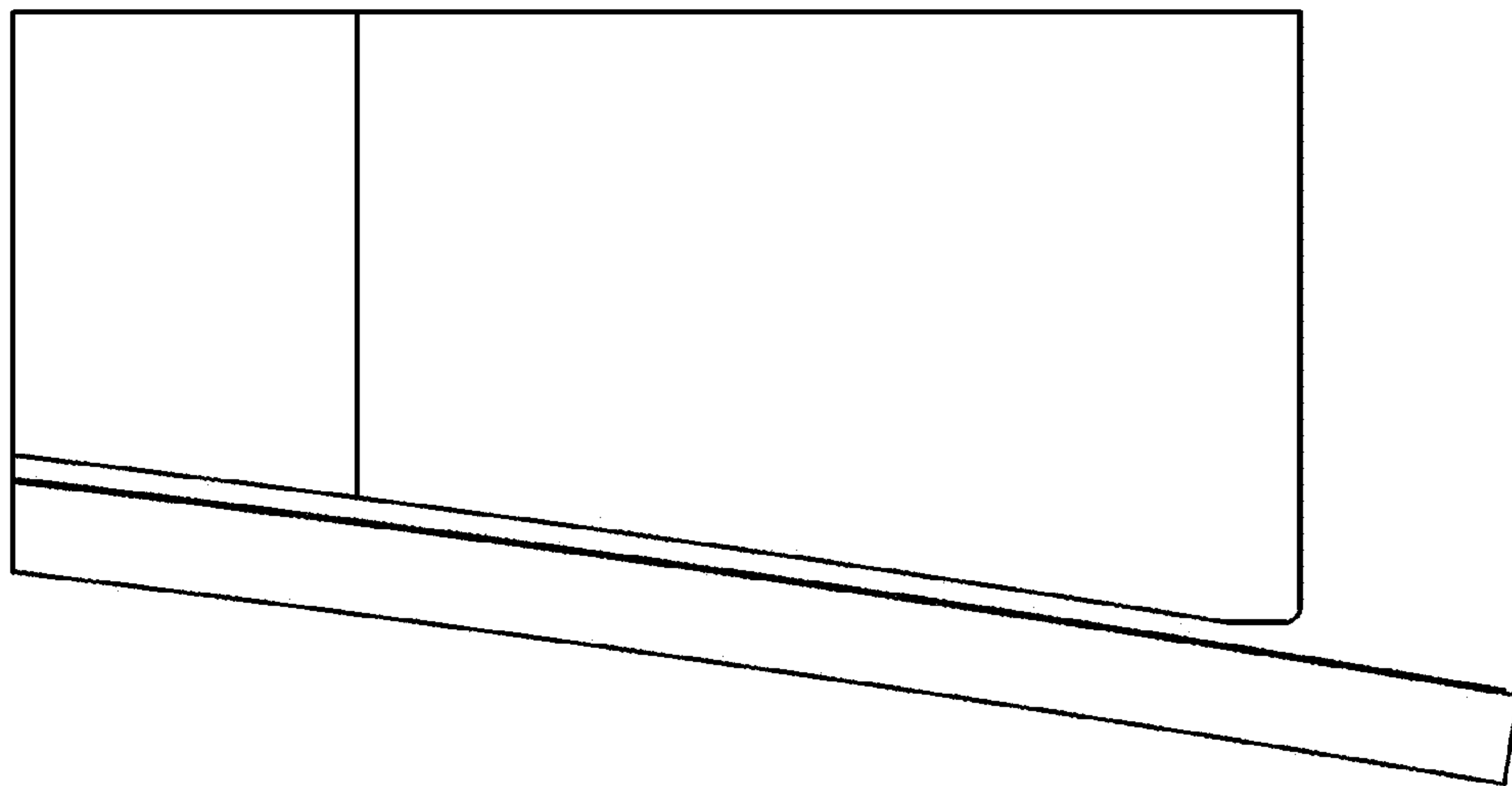


FIGURE 9

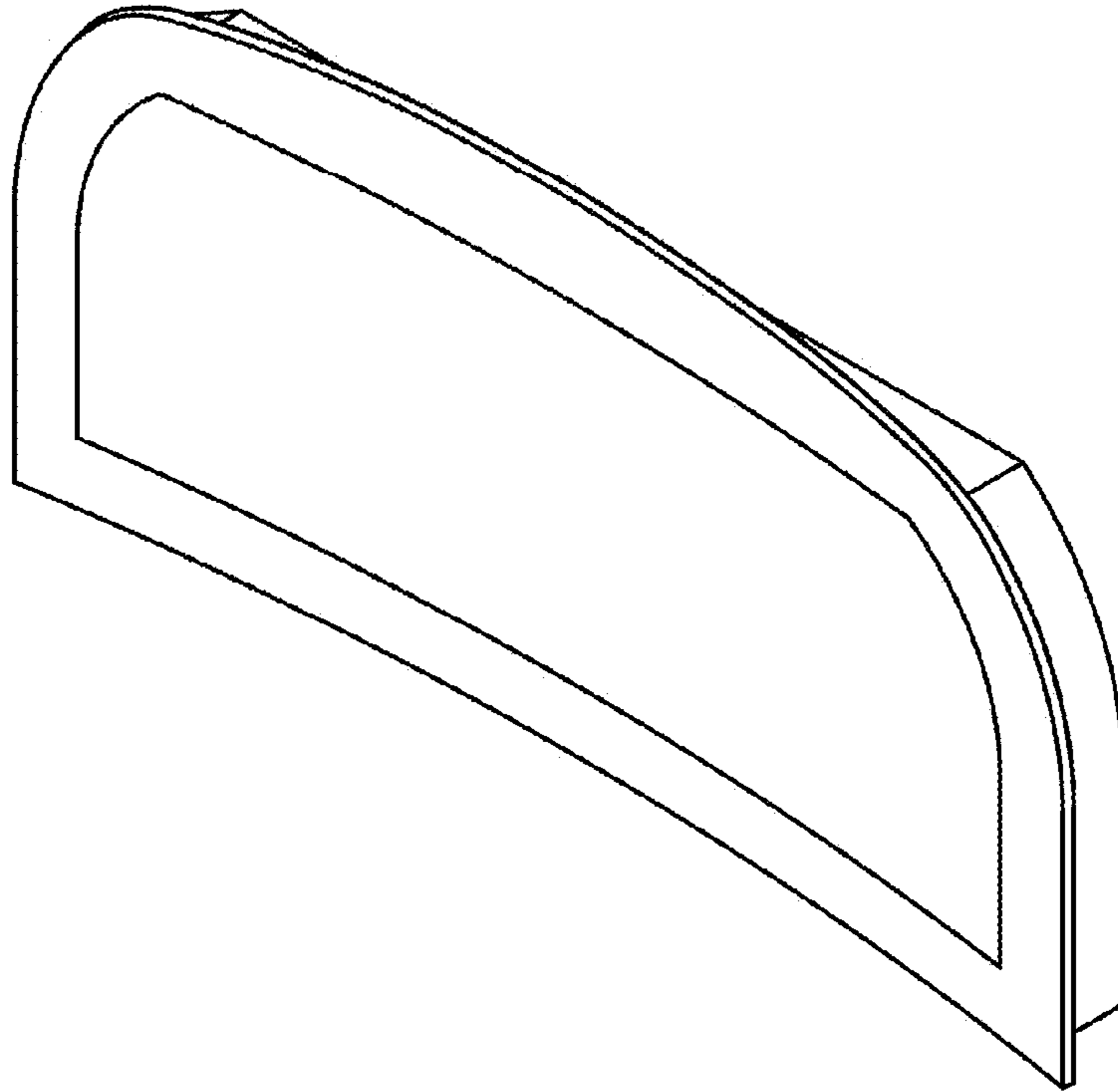


FIGURE 10

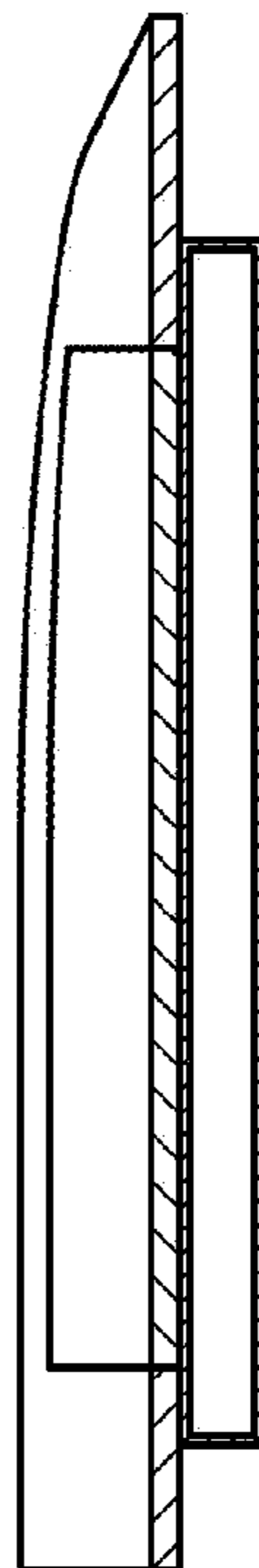


FIGURE 11

