



US00D741764S

(12) **United States Design Patent**
Levi

(10) **Patent No.:** **US D741,764 S**
(45) **Date of Patent:** **** Oct. 27, 2015**

- (54) **RETRACTABLE SUN VISOR EXTENSION**
- (71) Applicant: **V Care Product, Inc.**, Los Angeles, CA (US)
- (72) Inventor: **Parham Levi**, Los Angeles, CA (US)
- (73) Assignee: **V Care Product, Inc.**, Los Angeles, CA (US)
- (**) Term: **14 Years**
- (21) Appl. No.: **29/507,879**
- (22) Filed: **Oct. 31, 2014**
- (51) **LOC (10) Cl.** **12-16**
- (52) **U.S. Cl.**
USPC **D12/191**
- (58) **Field of Classification Search**
USPC D12/191, 181, 183-185, 106, 417,
D12/311-312; 296/97.1, 97.8, 180.1;
160/370.21-370.23
CPC B60J 3/02; B60J 3/0208
See application file for complete search history.

- D522,943 S * 6/2006 Opoku-Agyemang D12/191
- D524,206 S * 7/2006 Hohney D12/191
- D526,259 S * 8/2006 Votz D12/191
- D558,655 S * 1/2008 Kawamata D12/191
- D594,394 S * 6/2009 Kawamata D12/191
- D647,020 S * 10/2011 Kosaka D12/191
- D658,569 S * 5/2012 Horton D12/417
- D681,526 S * 5/2013 Santos D12/191

* cited by examiner

Primary Examiner — Katrina A Betton
(74) *Attorney, Agent, or Firm* — Martino Patent Law at the Law Offices of Sepehr Daghighian

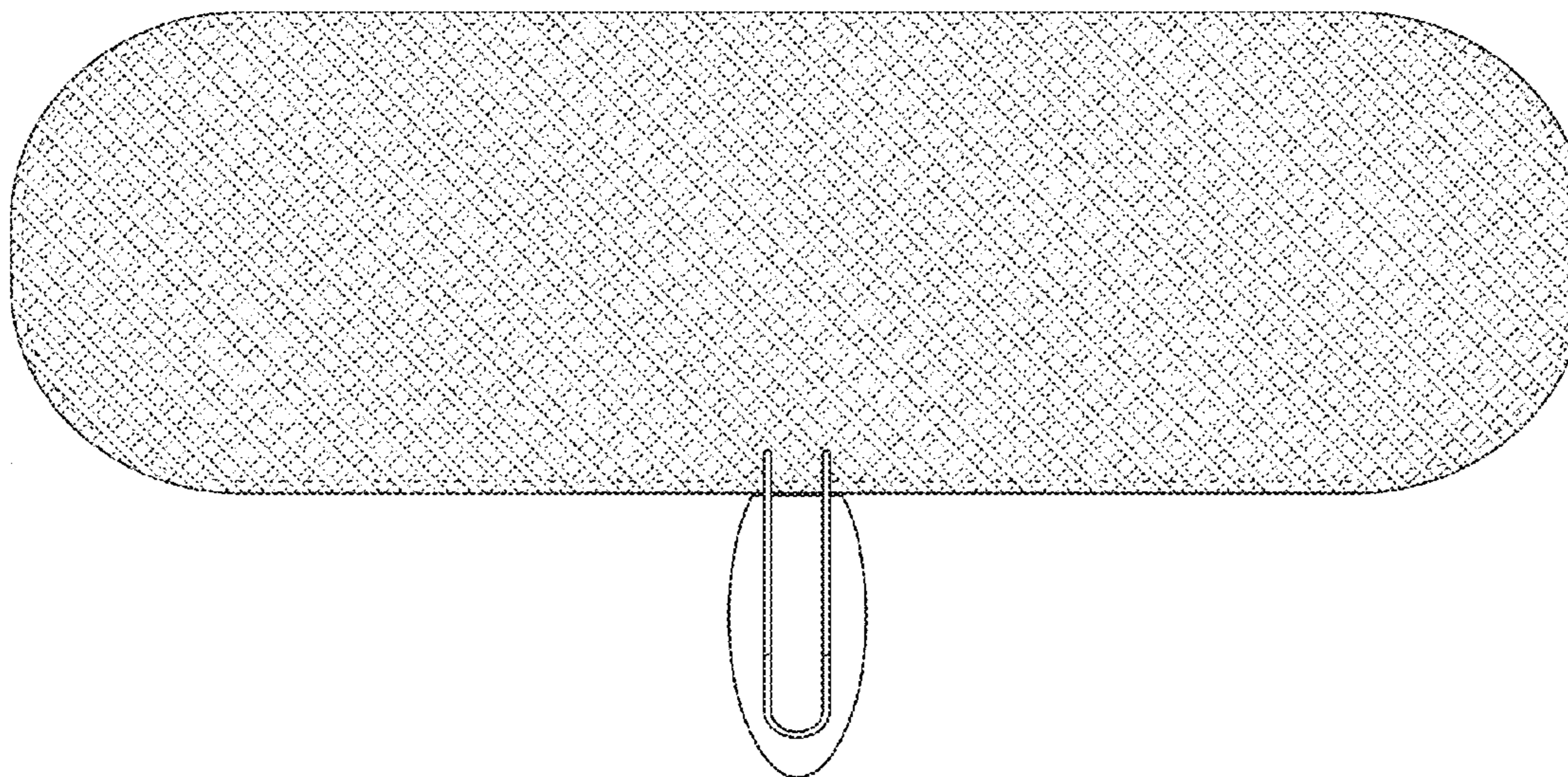
(57) **CLAIM**
The ornamental design for a retractable sun visor extension, as shown and described.

DESCRIPTION

FIG. 1 is a perspective view of a retractable sun visor extension embodying my new design;
FIG. 2 is a front elevation view of FIG. 1;
FIG. 3 is a rear elevation view of FIG. 1;
FIG. 4 is a left side elevation view of FIG. 1;
FIG. 5 is a right side view of FIG. 1;
FIG. 6 is a top plan view of FIG. 1; and,
FIG. 7 is a bottom plan view of FIG. 1.
The broken lines are for illustration only and form no part of the claimed design.

1 Claim, 2 Drawing Sheets

- (56) **References Cited**
U.S. PATENT DOCUMENTS
D476,609 S * 7/2003 Gibson D12/191
D501,655 S * 2/2005 Tuccinardi et al. D14/129
D504,367 S * 4/2005 Maxwell D12/191



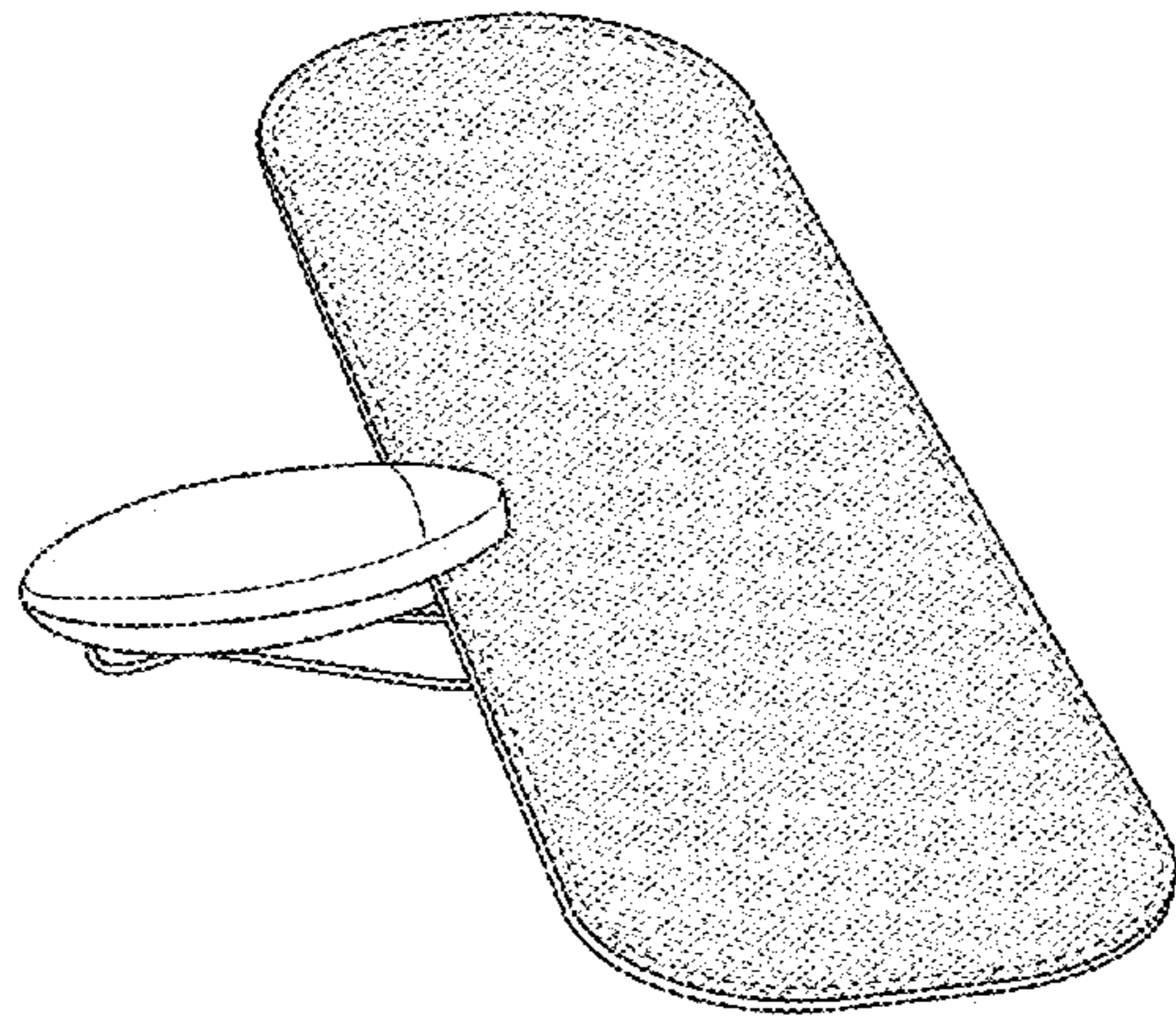


FIG. 1

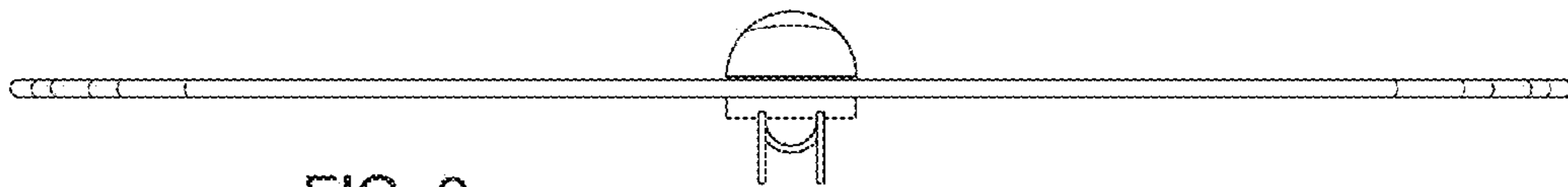


FIG. 2

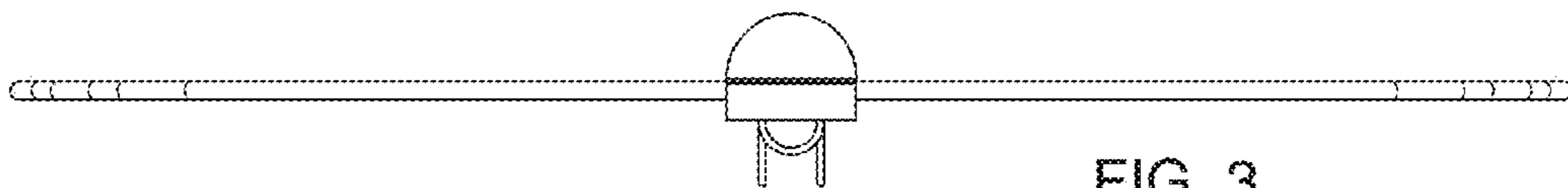


FIG. 3

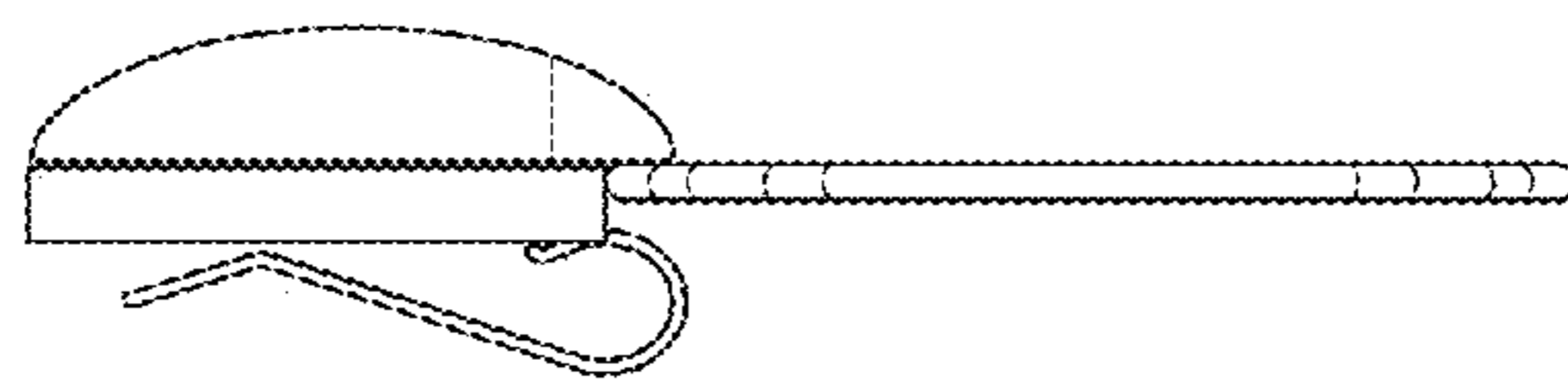


FIG. 4

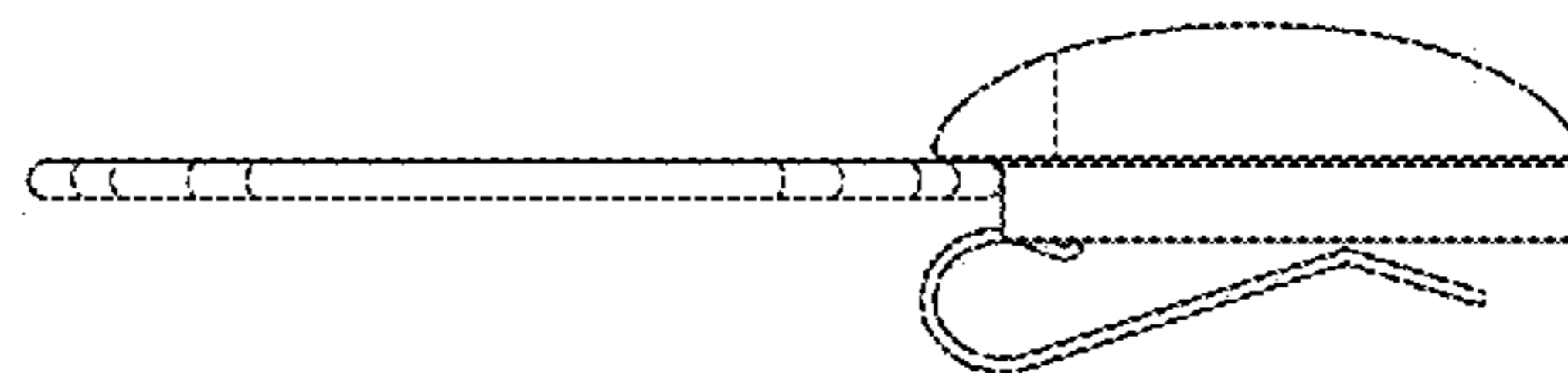


FIG. 5

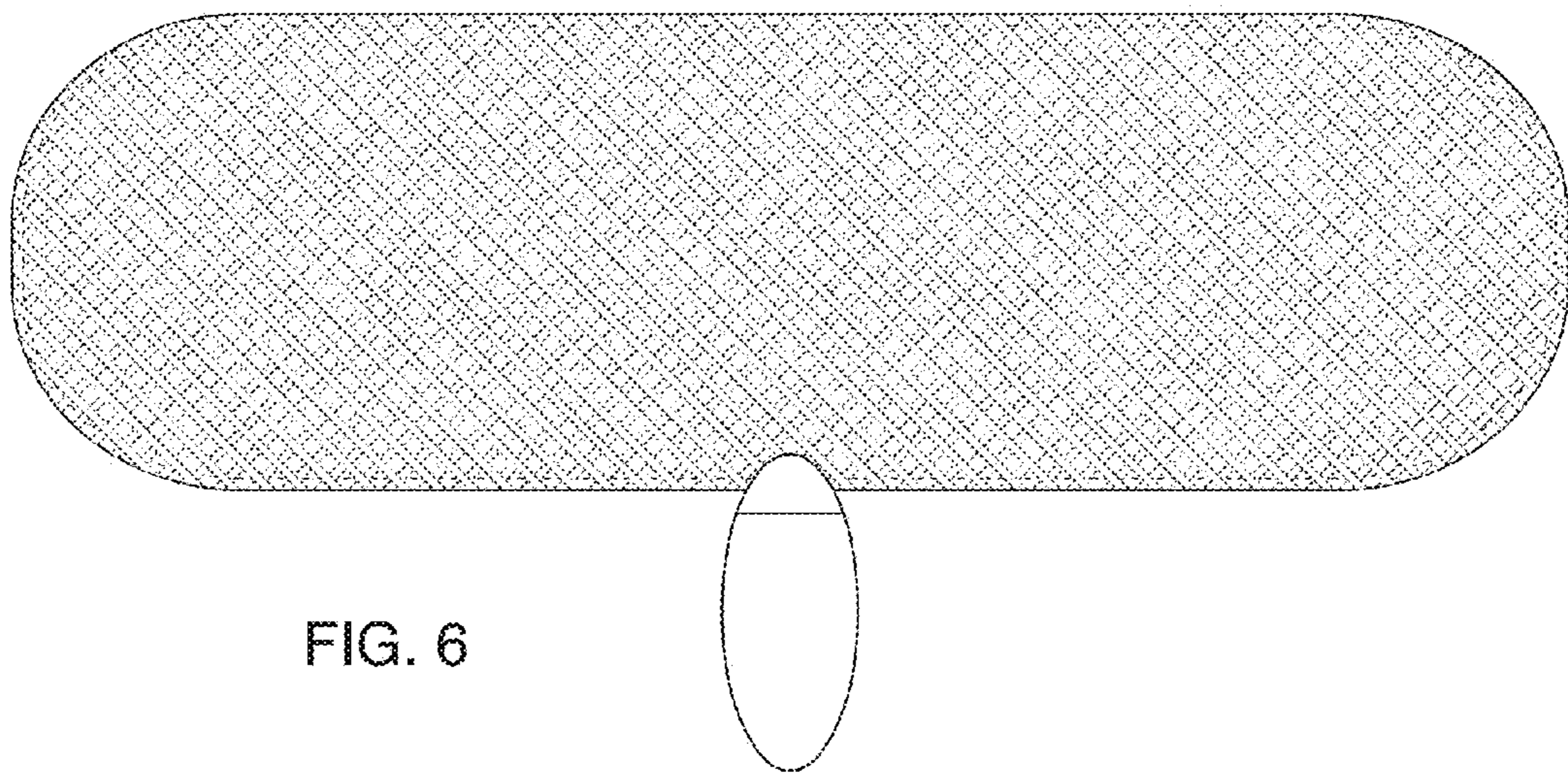


FIG. 6

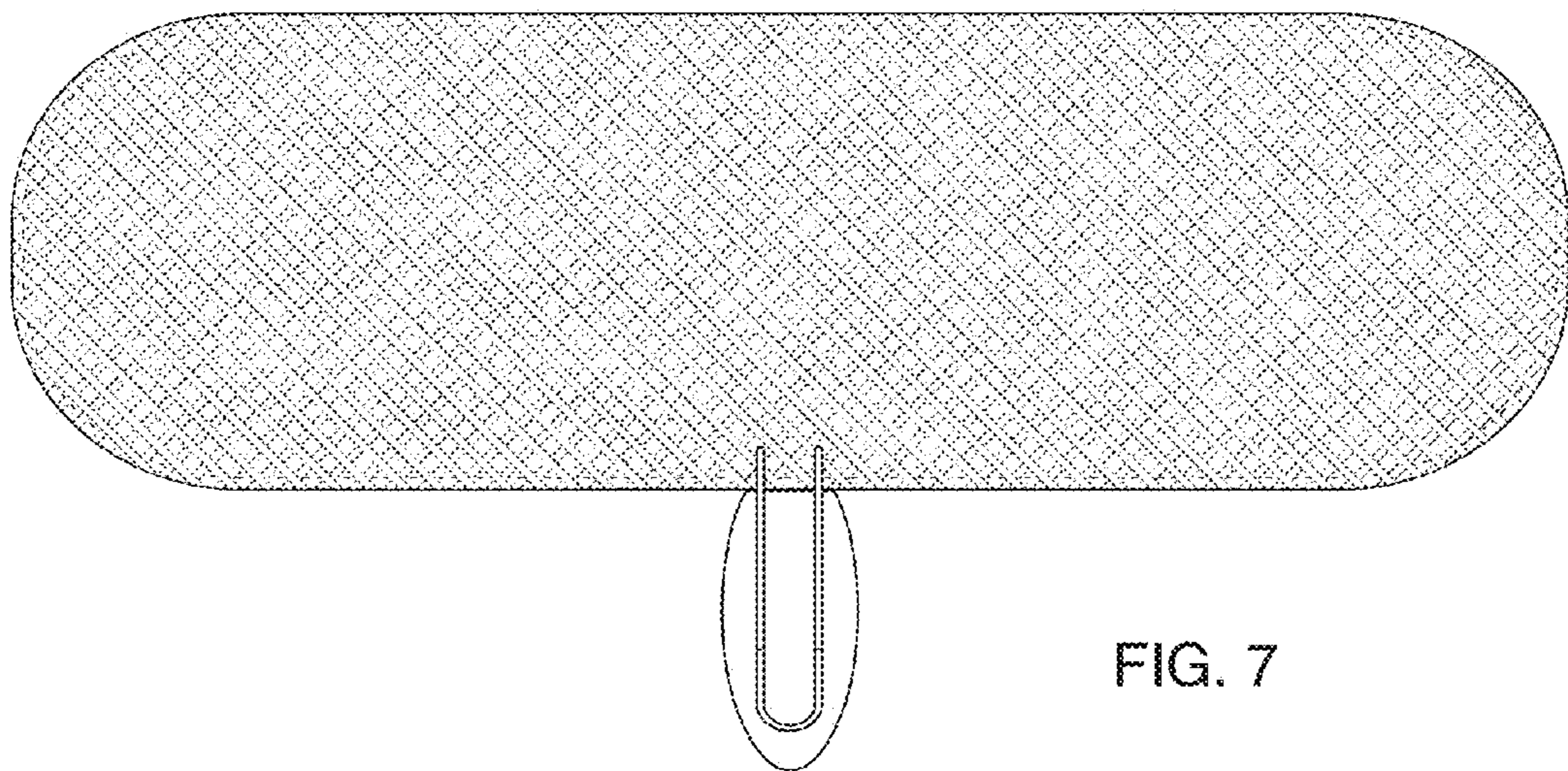


FIG. 7