



US00D741763S

(12) **United States Design Patent**  
**Levi**

(10) **Patent No.:** **US D741,763 S**  
(45) **Date of Patent:** **\*\* Oct. 27, 2015**

- (54) **RETRACTABLE SUN VISOR EXTENSION**
- (71) Applicant: **V Care Product, Inc.**, Los Angeles, CA (US)
- (72) Inventor: **Parham Levi**, Los Angeles, CA (US)
- (73) Assignee: **V Care Product, Inc.**, Los Angeles, CA (US)
- (\*\*) Term: **14 Years**
- (21) Appl. No.: **29/507,755**
- (22) Filed: **Oct. 30, 2014**
- (51) **LOC (10) Cl.** ..... **12-16**
- (52) **U.S. Cl.**  
USPC ..... **D12/191**
- (58) **Field of Classification Search**  
USPC ..... D12/191, 181, 183-185, 106, 417,  
D12/311-312; 296/97.1, 97.8, 180.1;  
160/370.21-370.23  
CPC ..... B60J 3/02; B60J 3/0208  
See application file for complete search history.

- D522,943 S \* 6/2006 Opoku-Agyemang ..... D12/191
- D524,206 S \* 7/2006 Hohney ..... D12/191
- D526,259 S \* 8/2006 Votz ..... D12/191
- D558,655 S \* 1/2008 Kawamata ..... D12/191
- D594,394 S \* 6/2009 Kawamata ..... D12/191
- D647,020 S \* 10/2011 Kosaka ..... D12/191
- D658,569 S \* 5/2012 Horton ..... D12/417
- D681,526 S \* 5/2013 Santos ..... D12/191

\* cited by examiner

*Primary Examiner* — Katrina A Betton  
(74) *Attorney, Agent, or Firm* — Martino Patent Law at the Law Offices of Sepehr Daghighian

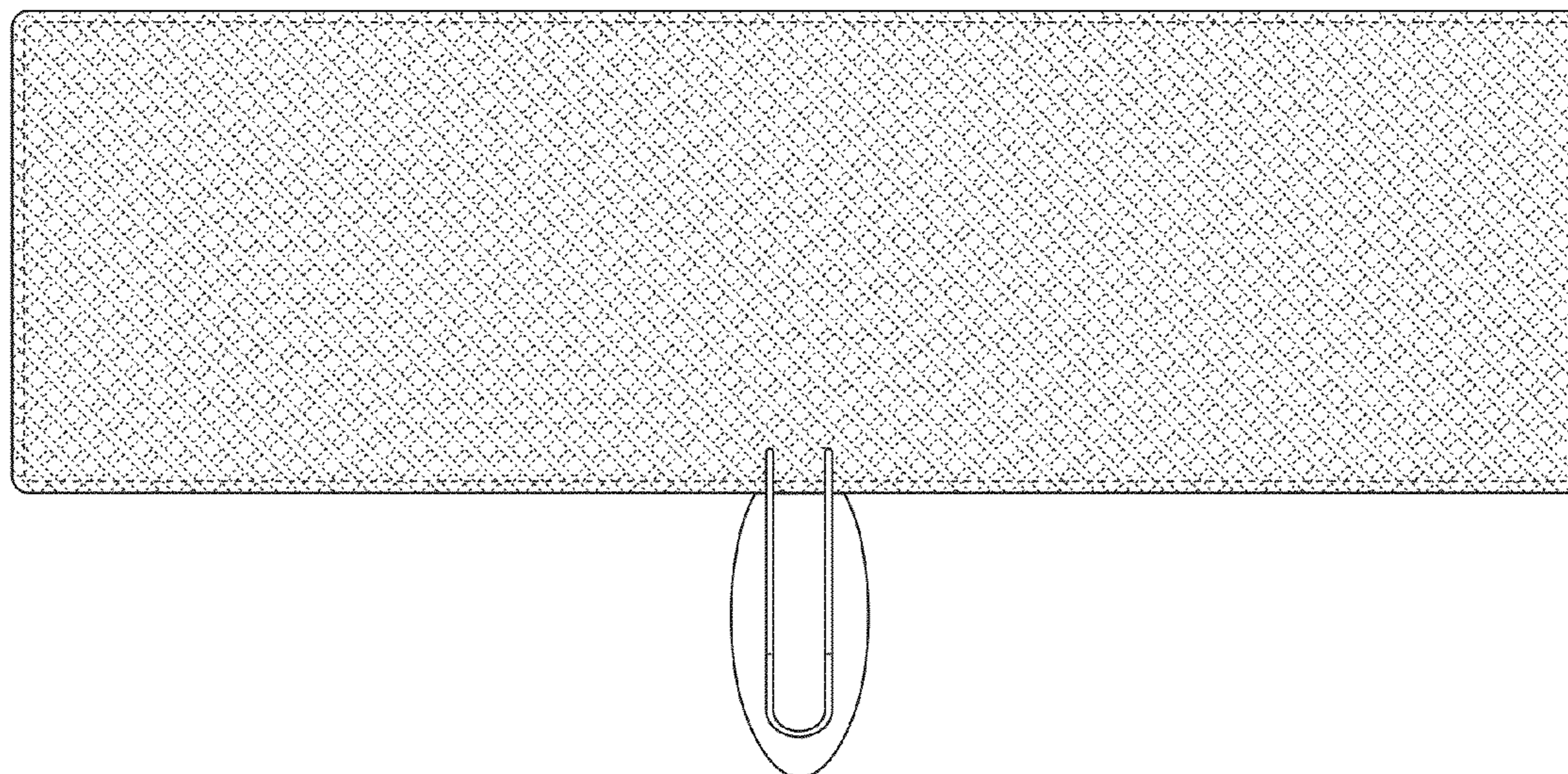
(57) **CLAIM**  
The ornamental design for a retractable sun visor extension, as shown and described.

**DESCRIPTION**

FIG. 1 is a perspective view of a retractable sun visor extension embodying my new design;  
FIG. 2 is a front elevation view of FIG. 1;  
FIG. 3 is a rear elevation view of FIG. 1;  
FIG. 4 is a left side elevation view of FIG. 1;  
FIG. 5 is a right side view of FIG. 1;  
FIG. 6 is a top plan view of FIG. 1; and,  
FIG. 7 is a bottom plan view of FIG. 1.  
The broken lines are for illustration only and form no part of the claimed design.

**1 Claim, 2 Drawing Sheets**

- (56) **References Cited**  
U.S. PATENT DOCUMENTS  
D476,609 S \* 7/2003 Gibson ..... D12/191  
D501,655 S \* 2/2005 Tuccinardi et al. .... D14/129  
D504,367 S \* 4/2005 Maxwell ..... D12/191



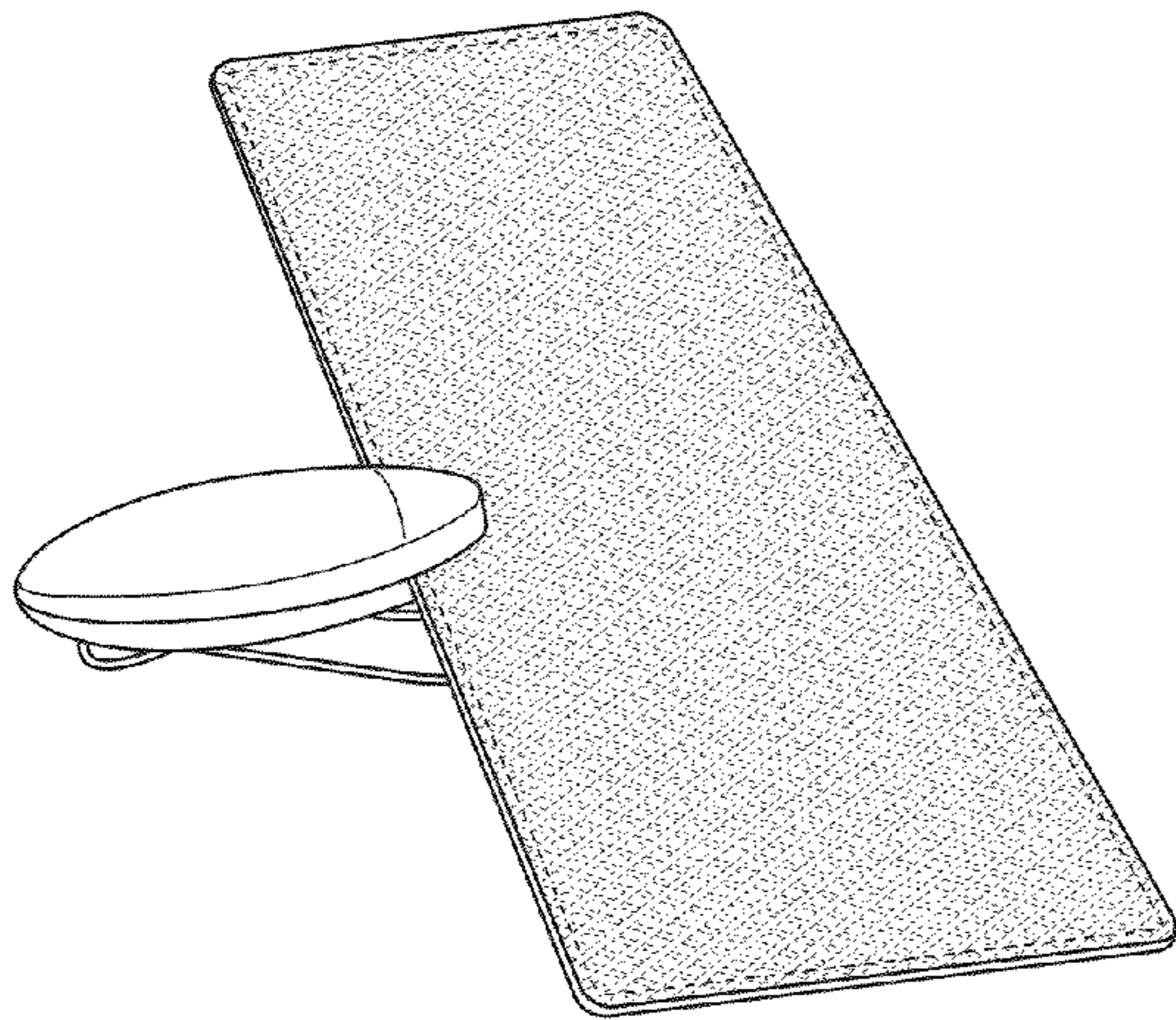


FIG. 1

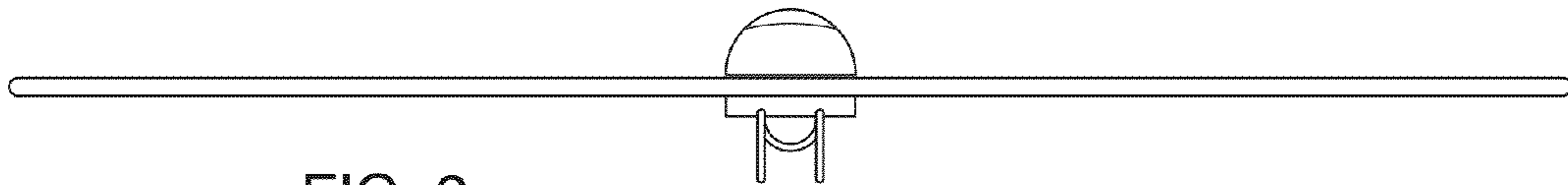


FIG. 2

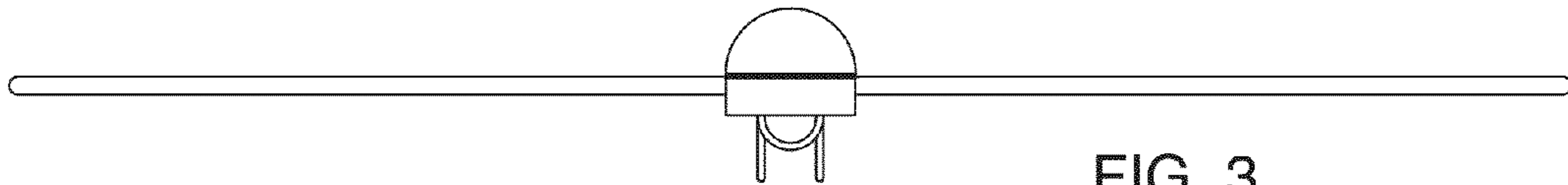


FIG. 3

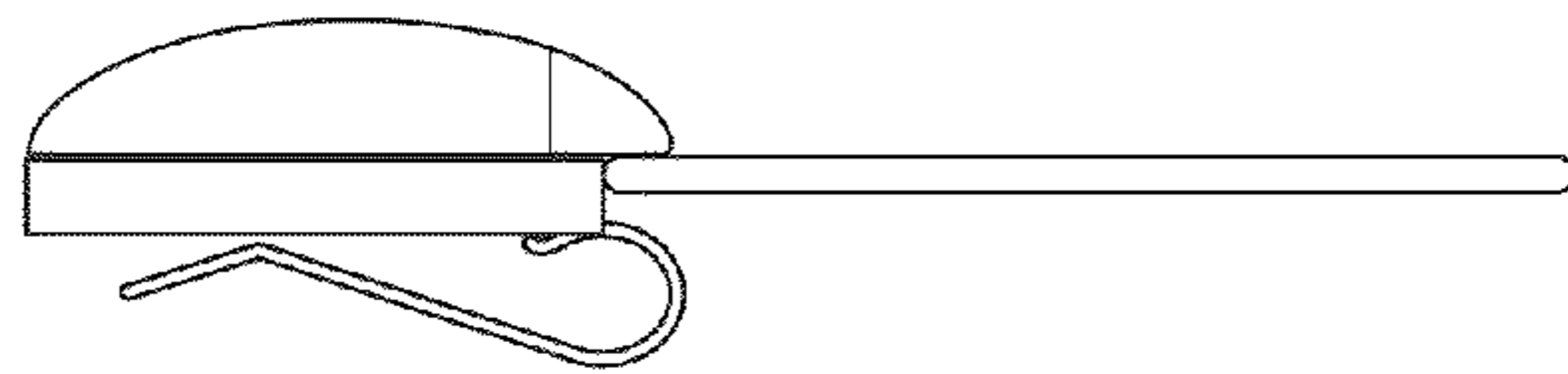


FIG. 4

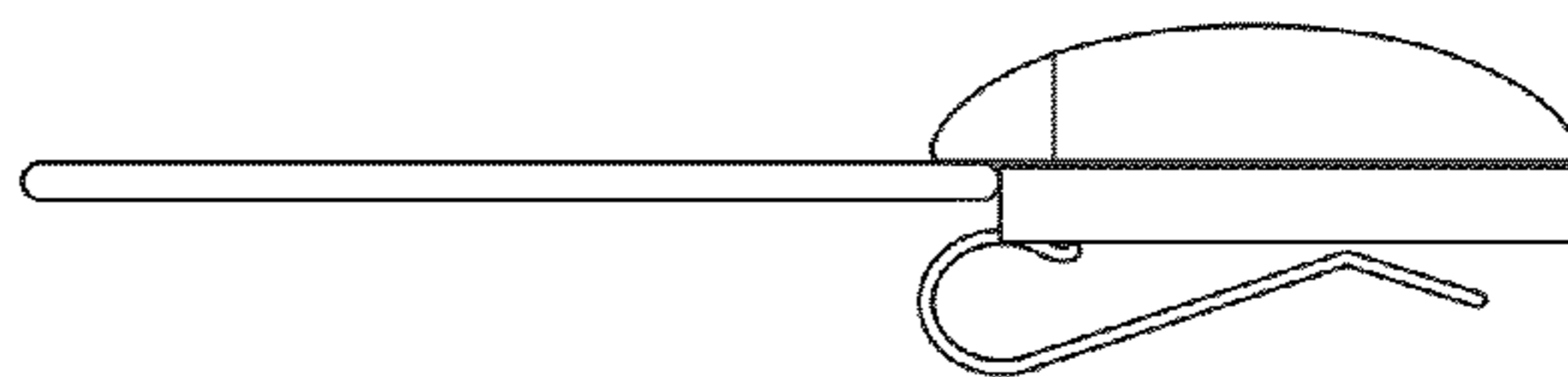


FIG. 5

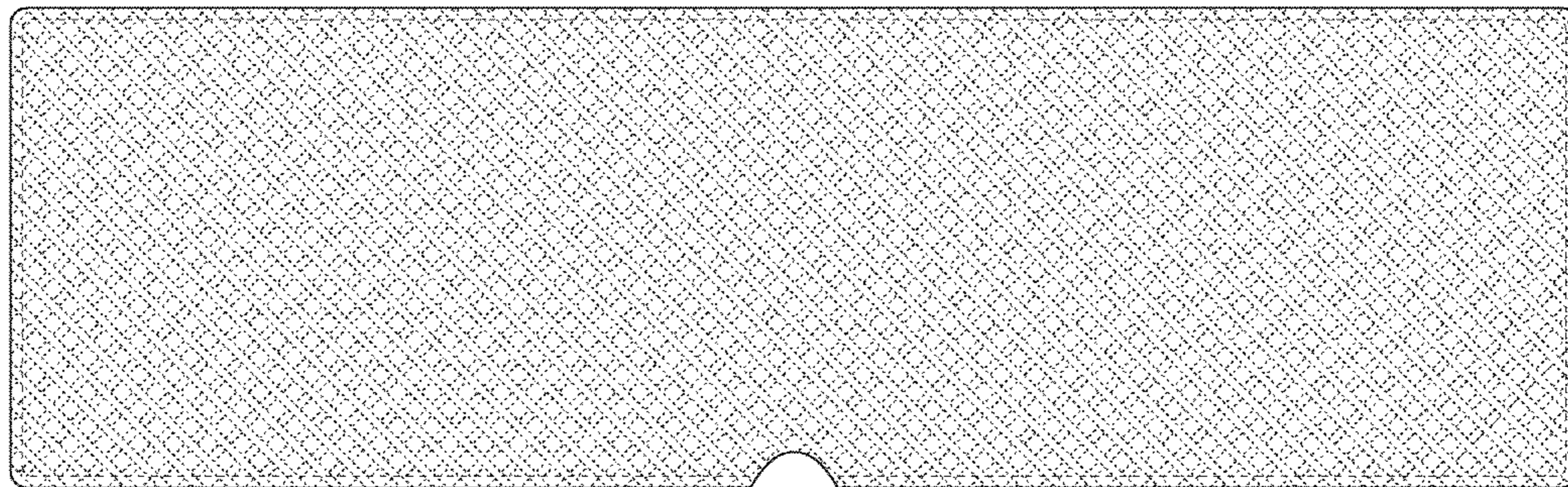


FIG. 6

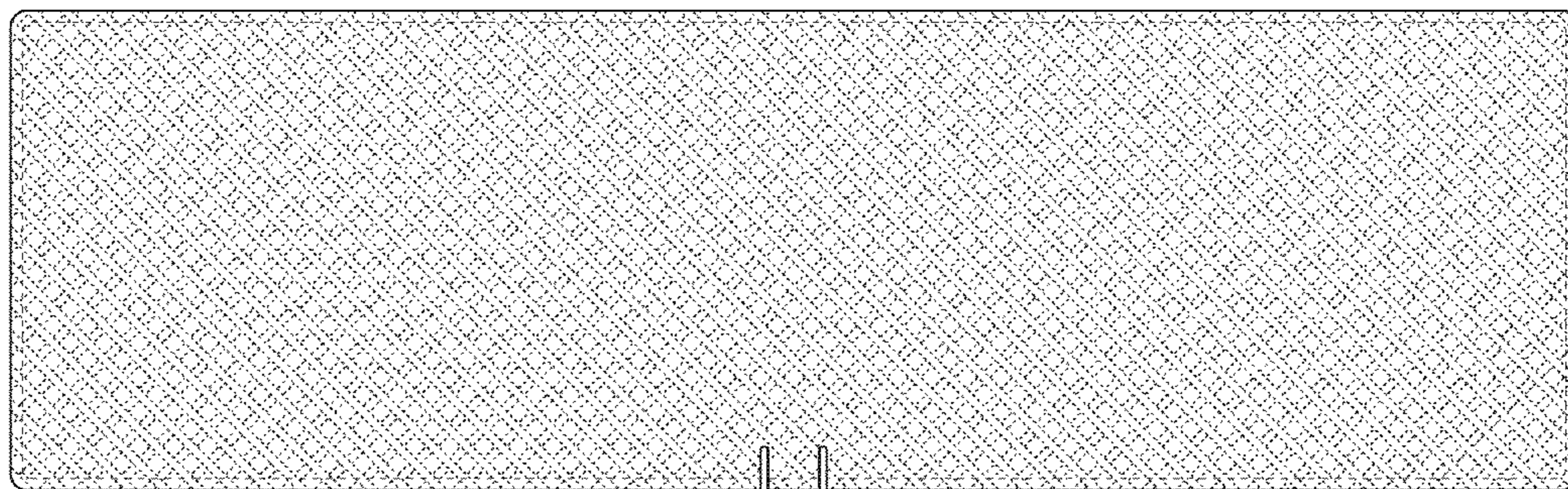
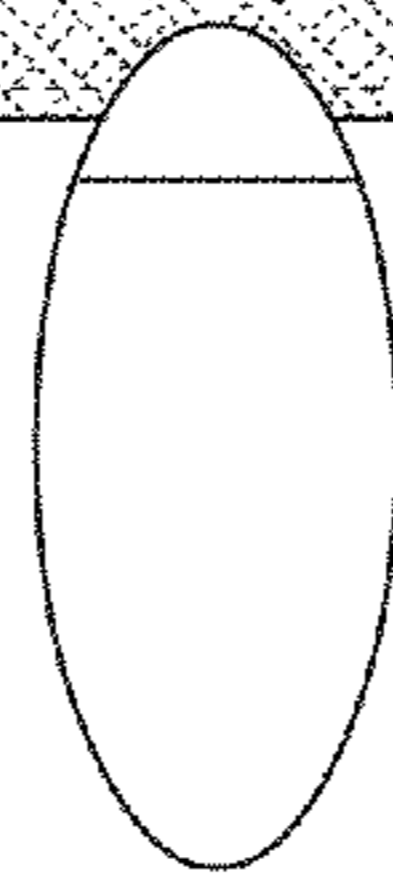


FIG. 7

