



US00D741761S

(12) **United States Design Patent**
Mueller-Stolz

(10) **Patent No.:** **US D741,761 S**
(45) **Date of Patent:** **** Oct. 27, 2015**

(54) **REAR FENDER FOR A VEHICLE**
(71) Applicant: **Bayerische Motoren Werke**
Aktiengesellschaft, Munich (DE)
(72) Inventor: **Dirk Mueller-Stolz, Munich (DE)**
(73) Assignee: **Bayerische Motoren Werke**
Aktiengesellschaft, Munich (DE)

D633,838 S * 3/2011 Loeb D12/196
D645,803 S * 9/2011 Kumai et al. D12/181
D658,557 S * 5/2012 Hakamata et al. D12/196
D658,558 S * 5/2012 Hakamata et al. D12/196
D660,216 S * 5/2012 Ikuma et al. D12/196
D695,662 S * 12/2013 Suga et al. D12/196
D696,172 S * 12/2013 Kawasaki et al. D12/196
D699,170 S * 2/2014 Okue et al. D12/184
D699,655 S * 2/2014 Okue et al. D12/196

(**) Term: **14 Years**
(21) Appl. No.: **29/489,254**
(22) Filed: **Apr. 29, 2014**

FOREIGN PATENT DOCUMENTS

WO WO DM/072779 6/2010

* cited by examiner

Primary Examiner — Melody N Brown
(74) *Attorney, Agent, or Firm* — Crowell & Moring LLP

(30) **Foreign Application Priority Data**
Oct. 31, 2013 (DE) 40 2013 101 079
(51) **LOC (10) Cl.** **12-16**
(52) **U.S. Cl.**
USPC **D12/184**
(58) **Field of Classification Search**
USPC D12/184, 196, 181, 90–92; 280/152.1,
280/847–849, 851; 296/181.1, 181.5
CPC B62D 25/16; B62D 25/18; B62D 25/161;
B62D 25/168; B62D 25/184; B62D 25/186;
B62D 25/188; B62D 25/182
See application file for complete search history.

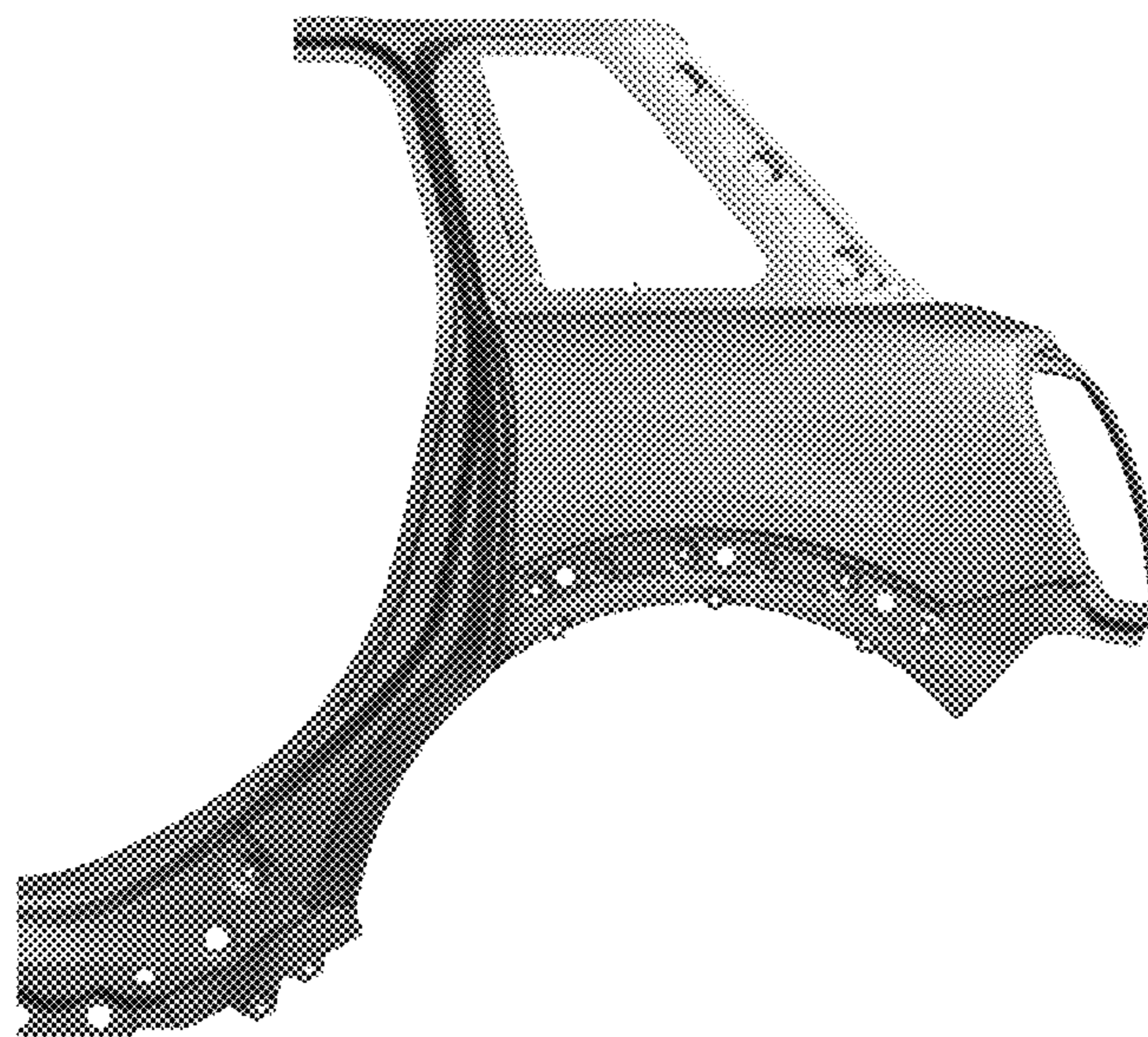
(57) **CLAIM**
The ornamental design for a rear fender for a vehicle, as shown and described.

DESCRIPTION

This application contains subject matter related to the following co-pending U.S. design patent application: Application Ser. No. 29/489,250, filed herewith and entitled “Vehicle, Toy, and/or Replicas Thereof”.
FIG. 1 is a front view of a rear fender for a vehicle according to the design;
FIG. 2 is a left perspective view thereof;
FIG. 3 is a right perspective view thereof;
FIG. 4 is a left side view thereof;
FIG. 5 is a right side view thereof;
FIG. 6 is a top view thereof;
FIG. 7 is a bottom view thereof; and,
FIG. 8 is a rear view thereof.

(56) **References Cited**
U.S. PATENT DOCUMENTS
D592,117 S * 5/2009 Ward D12/196
D605,101 S * 12/2009 Mueller D12/196
D605,572 S * 12/2009 Ward D12/196
D620,413 S * 7/2010 Huet D12/184
D630,988 S 1/2011 Schneider

1 Claim, 8 Drawing Sheets



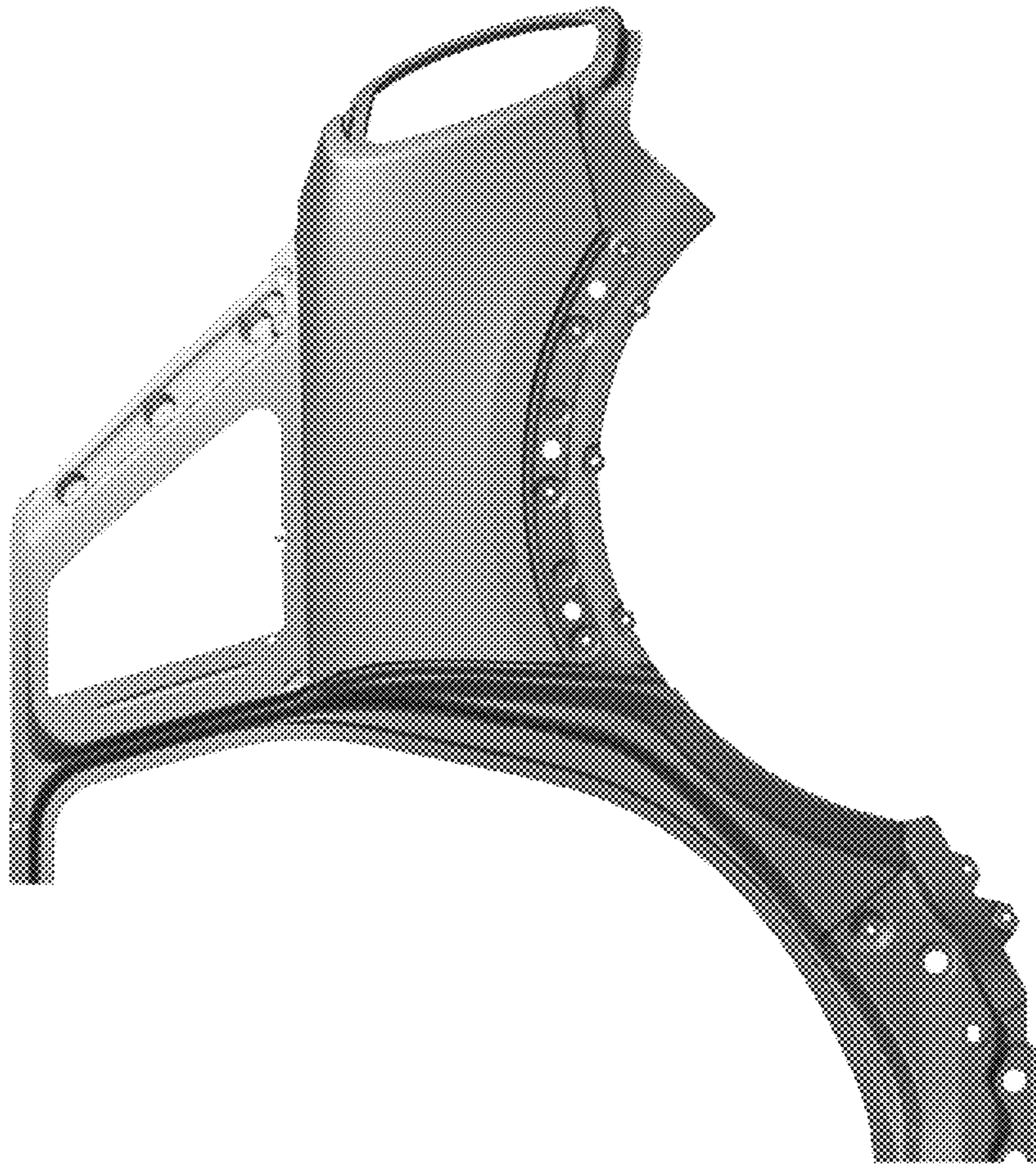


Fig. 1

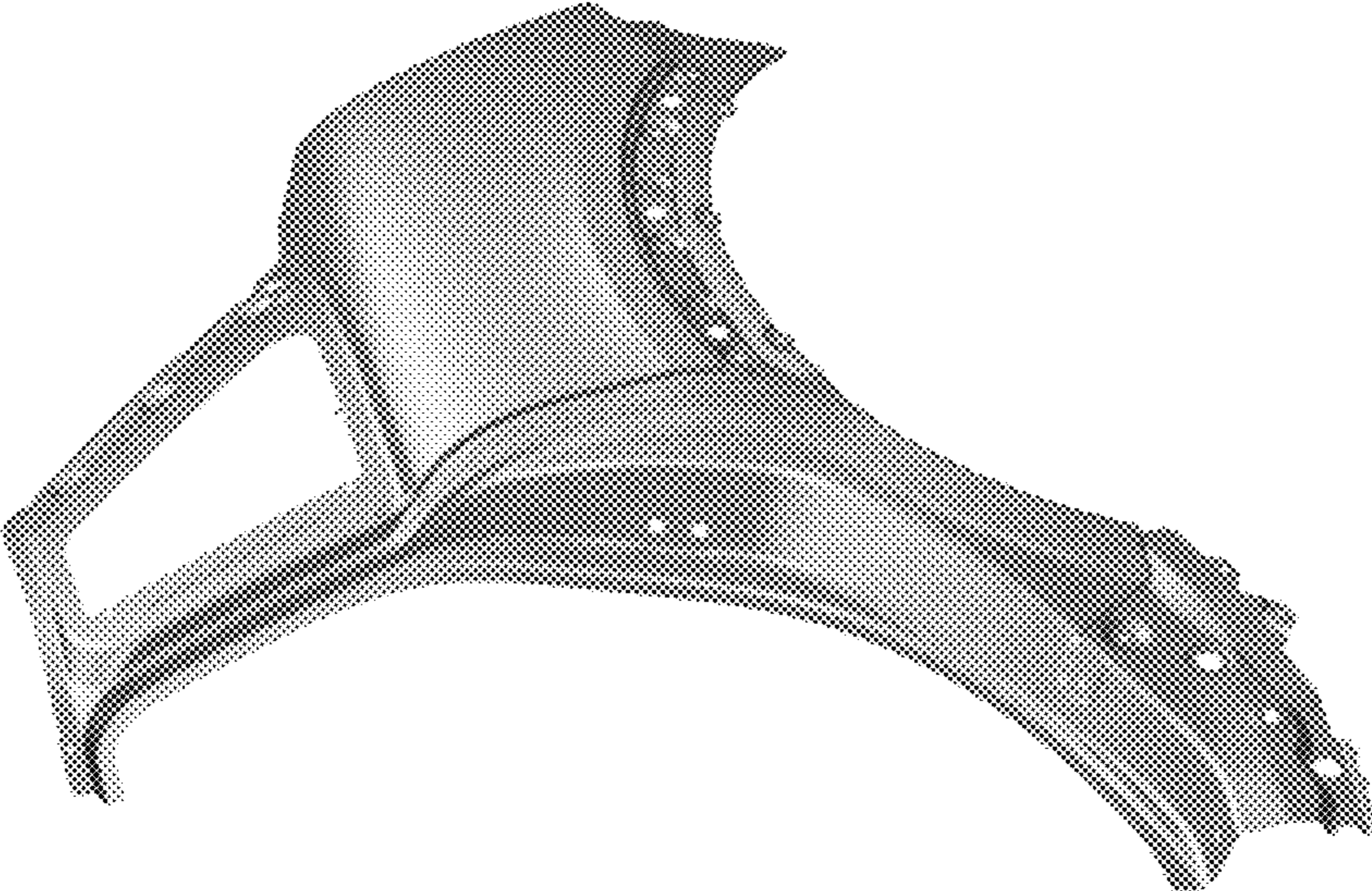


Fig. 2

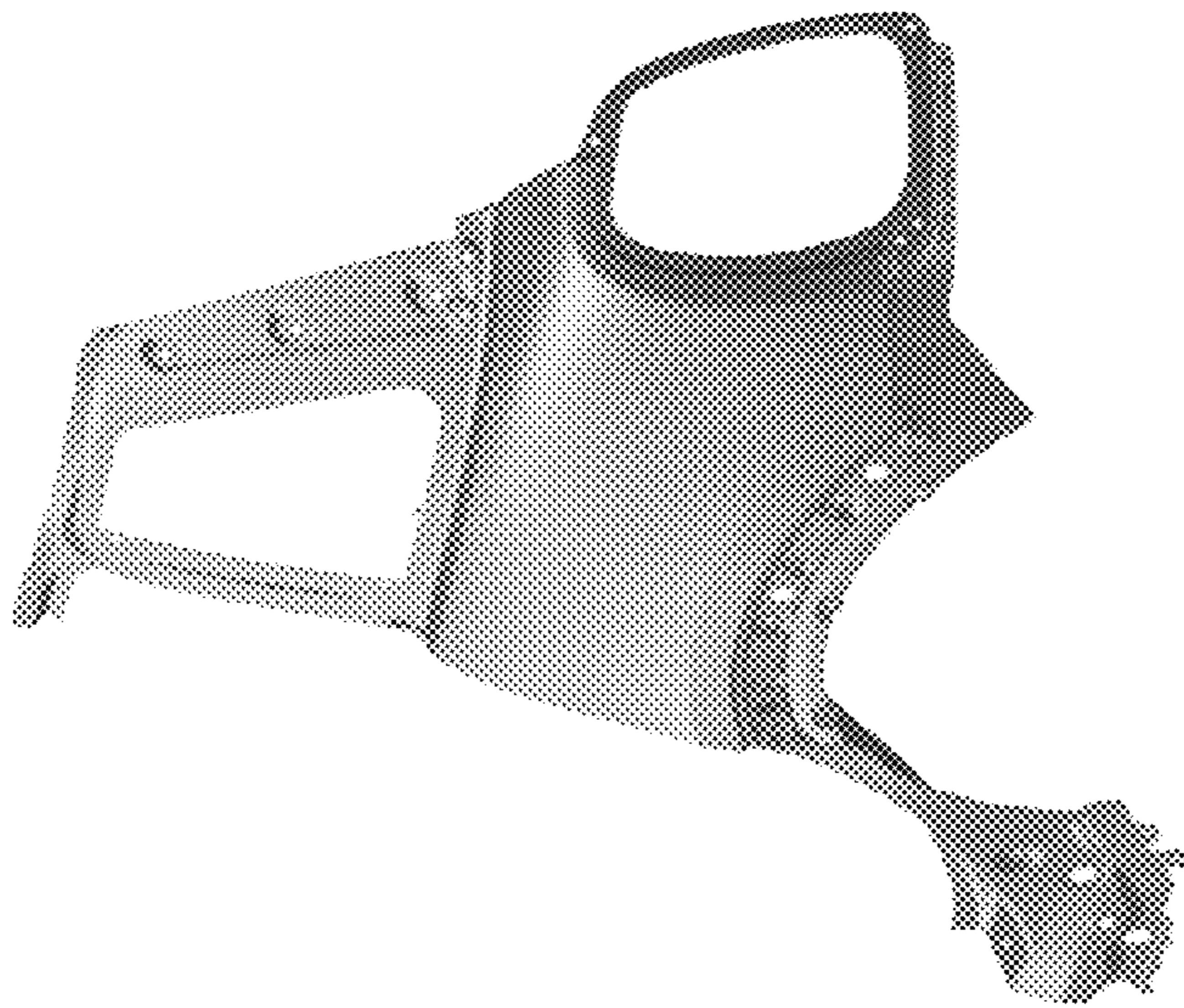


Fig. 3

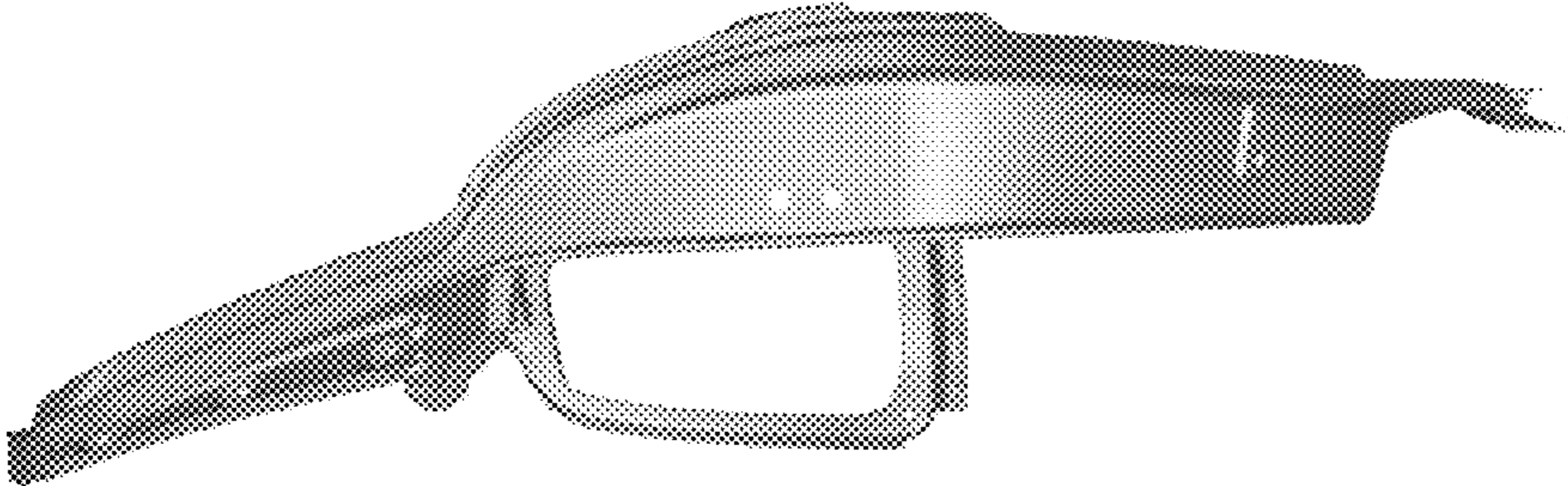


Fig. 4

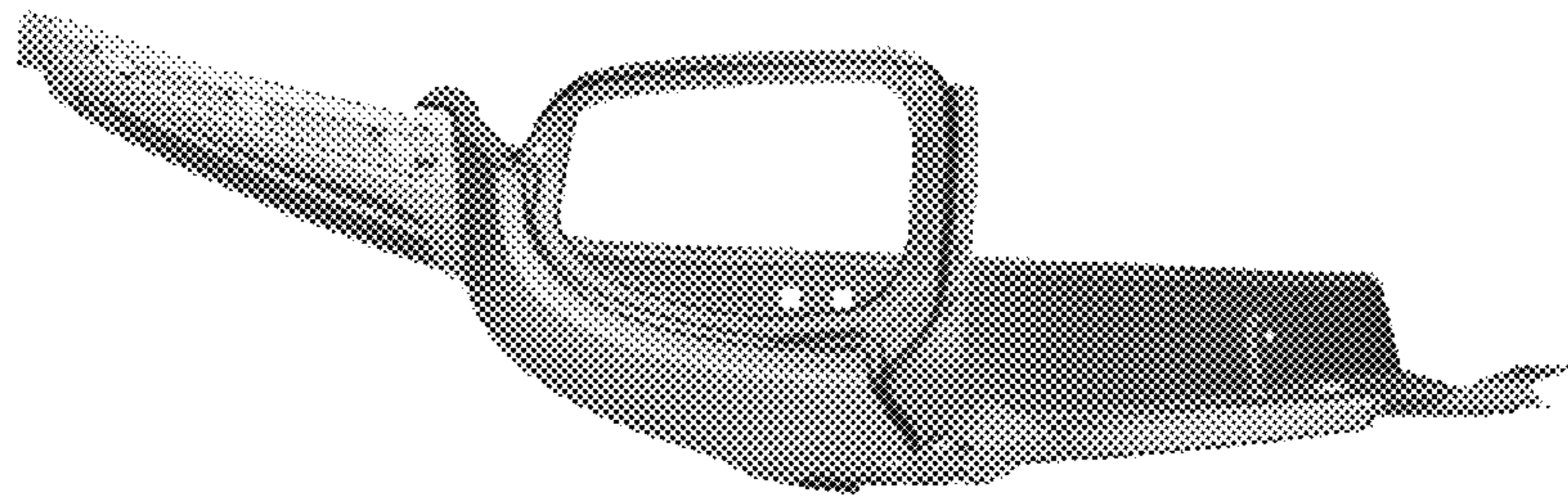


Fig. 5

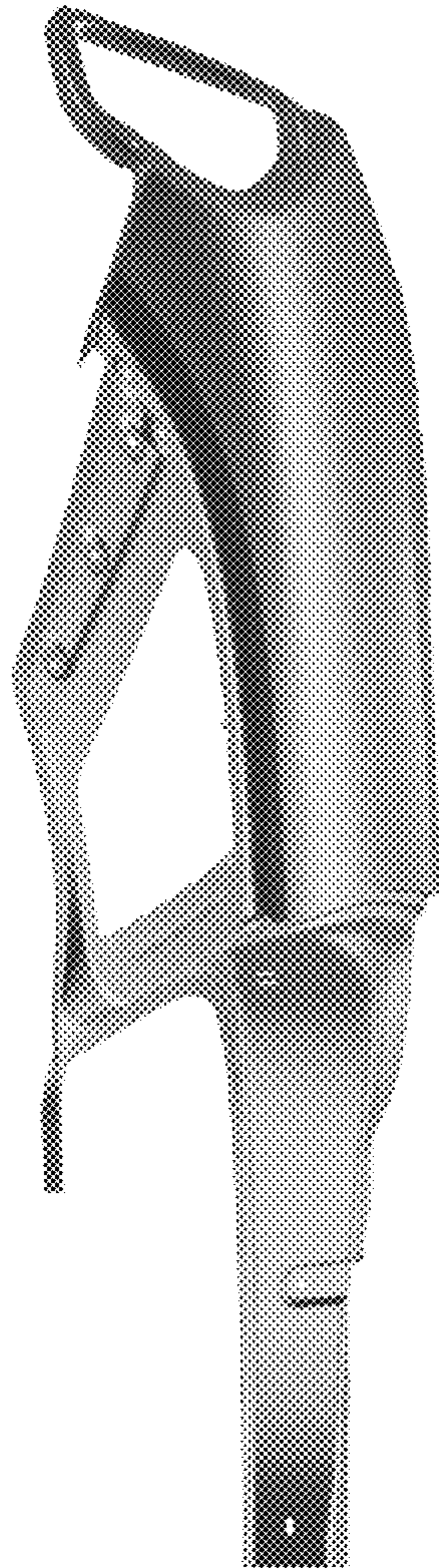


Fig. 6

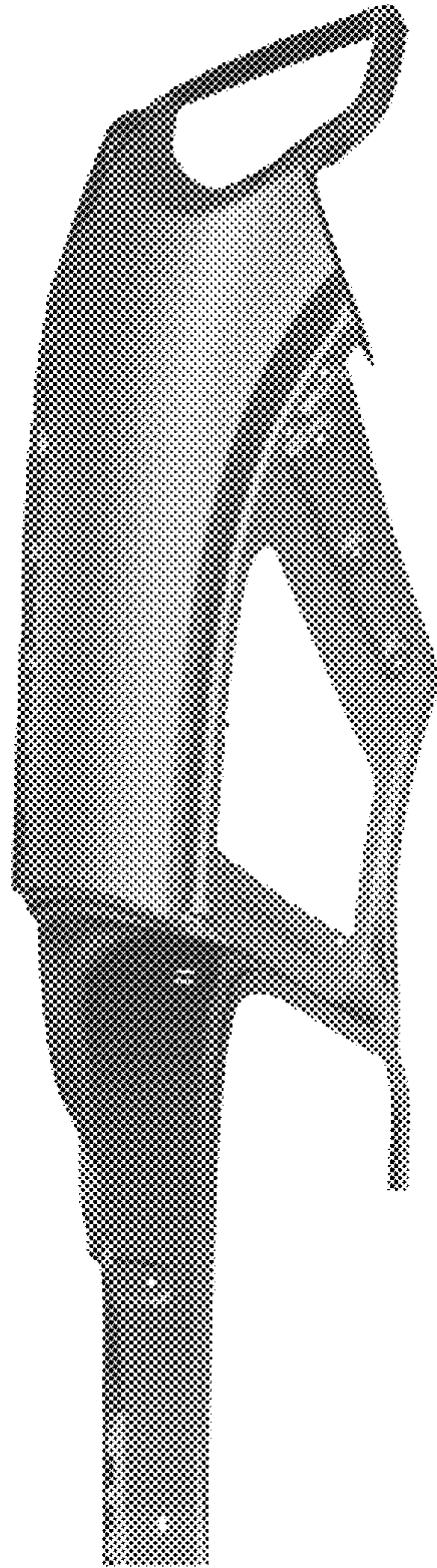


Fig. 7

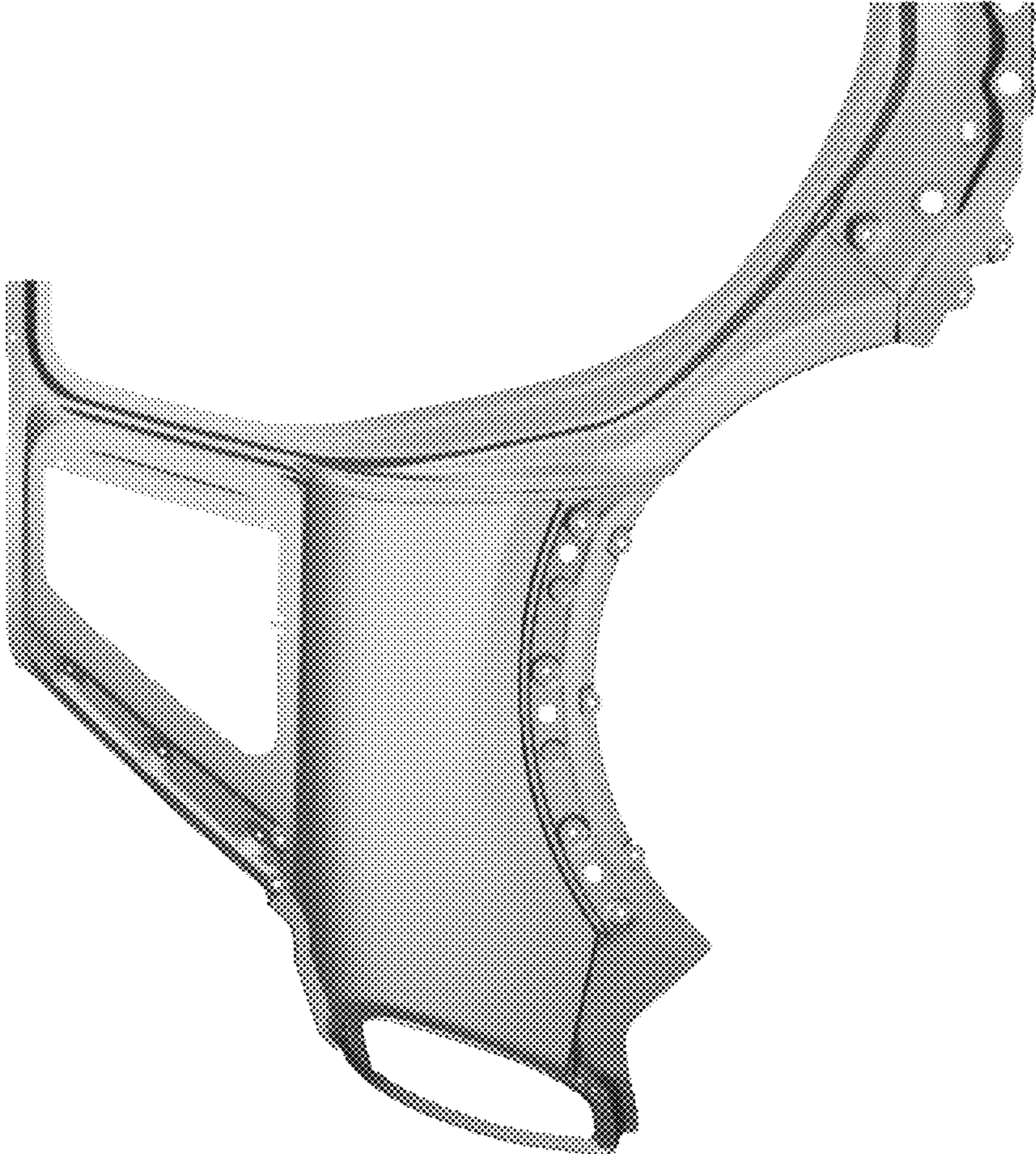


Fig. 8