



US00D741759S

(12) **United States Design Patent**
Persson et al.

(10) **Patent No.:** **US D741,759 S**
(45) **Date of Patent:** **** Oct. 27, 2015**

(54) **STEERING WHEEL**
(71) Applicant: **Volvo Car Corporation**, Göteborg (SE)
(72) Inventors: **Sven-Olof Persson**, Mölnlycke (SE);
Conny Blommé, Ljungskile (SE)
(73) Assignee: **Volvo Car Corporation**, Gothenburg
(SE)

(**) Term: **14 Years**
(21) Appl. No.: **29/496,465**
(22) Filed: **Jul. 14, 2014**

(30) **Foreign Application Priority Data**
Jan. 28, 2014 (EM) 001405690
(51) **LOC (10) Cl.** **12-16**
(52) **U.S. Cl.**
USPC **D12/176**
(58) **Field of Classification Search**
USPC D12/175, 176; 74/552, 558, 558.5
CPC B60R 21/203; B60R 21/05; B62D 1/04
See application file for complete search history.

(56) **References Cited**
U.S. PATENT DOCUMENTS
D630,983 S * 1/2011 Frank et al. D12/176
D635,069 S * 3/2011 Klein et al. D12/176
D635,900 S * 4/2011 Anzi D12/176
D636,711 S * 4/2011 Anzi D12/176
D663,244 S * 7/2012 Won et al. D12/176
D671,464 S 11/2012 Baccus et al.
D672,293 S * 12/2012 Toyama et al. D12/176
D684,511 S * 6/2013 Koyama D12/176

D688,606 S * 8/2013 Balko et al. D12/176
D692,813 S * 11/2013 Koyama D12/175
D696,991 S * 1/2014 Bose et al. D12/176
D696,992 S * 1/2014 Pohanka et al. D12/176
D709,006 S * 7/2014 Busse et al. D12/176
D710,769 S * 8/2014 Cheung et al. D12/176

FOREIGN PATENT DOCUMENTS

EM 001064406-0003 1/2009

OTHER PUBLICATIONS

Official Action dated Mar. 20, 2015 with English translation in counter-
part Russian Application No. 2014502687, filed Jul. 11, 2014.
Steering wheel—left photo—disclosed to public Aug. 29, 2013;
steering wheel—right photo—subject of Design U.S. Appl. No.
29/479,585, filed Jan. 17, 2014, with priority claim of Jul. 18, 2014 (1
page).

(Continued)

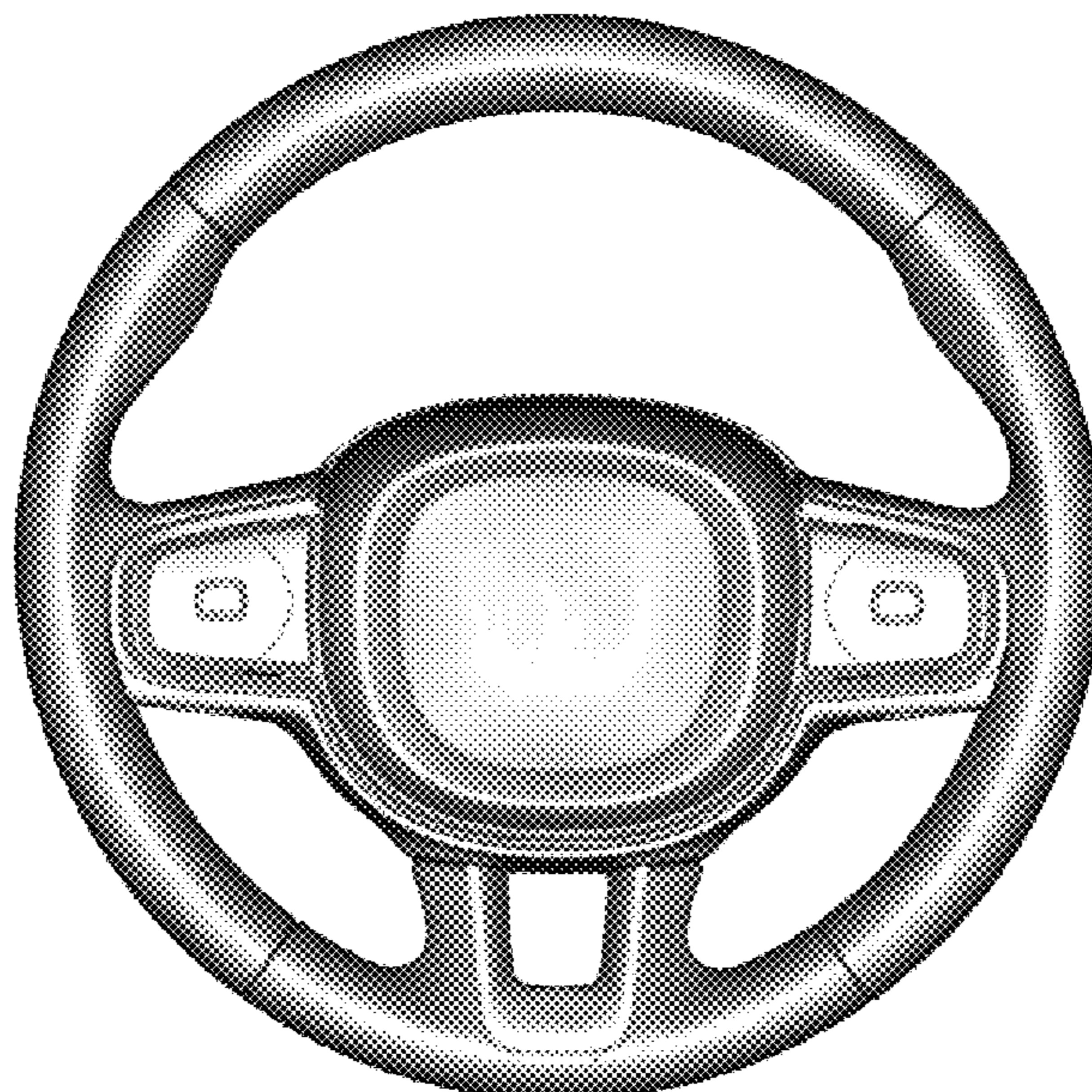
Primary Examiner — Melody Brown
(74) *Attorney, Agent, or Firm* — Renner, Otto, Boisselle &
Sklar, LLP

(57) **CLAIM**
The ornamental design for a steering wheel, as shown and
described.

DESCRIPTION

FIG. 1 is a perspective view of a steering wheel showing our
new design.
FIG. 2 is a front view thereof.
FIG. 3 is a rear view thereof.
FIG. 4 is a left side view thereof.
FIG. 5 is a right side view thereof.
FIG. 6 is a top view thereof; and,
FIG. 7 is a bottom view thereof.

1 Claim, 5 Drawing Sheets



(56)

References Cited

OTHER PUBLICATIONS

OHIM Registration No. 002276550-0008, registered Jul. 18, 2013 (3 pages).

OHIM Registration No. 002276550-0009, registered Jul. 18, 2013 (3 pages).

* cited by examiner



FIG. 1



FIG. 2



FIG. 3

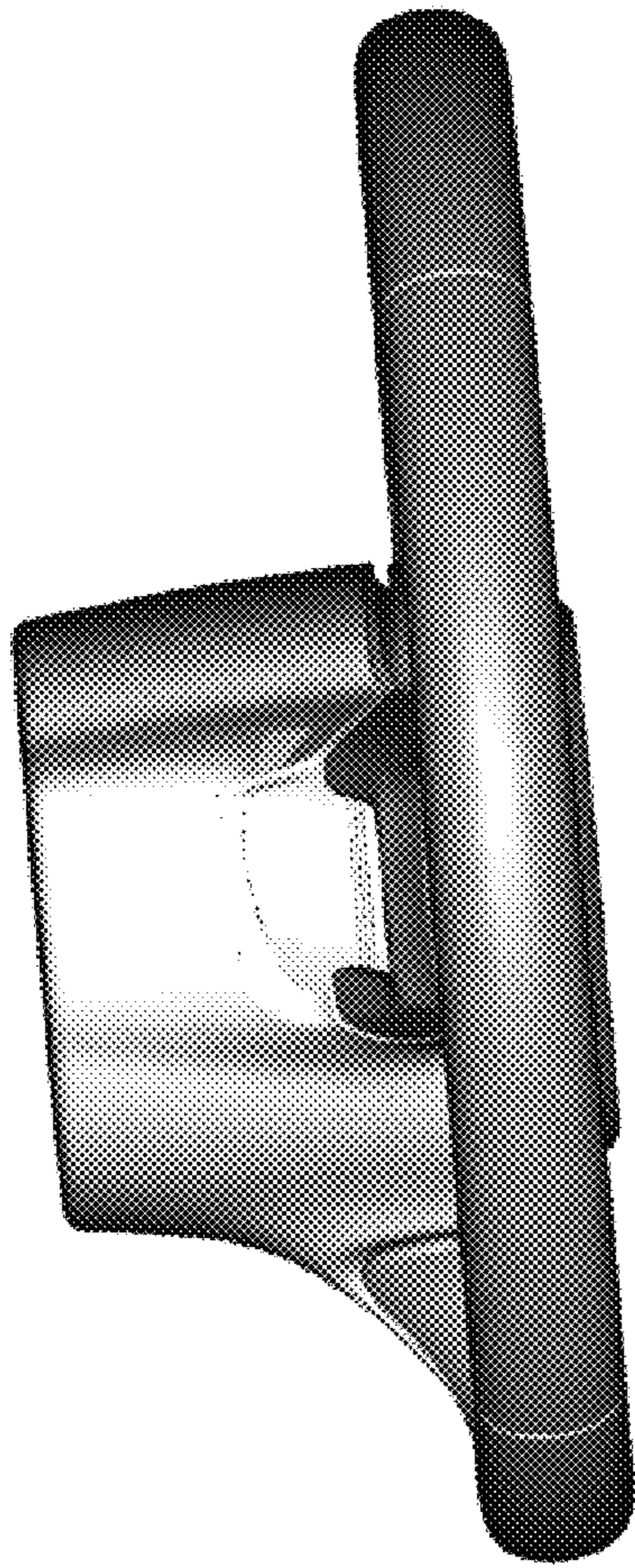


FIG. 4

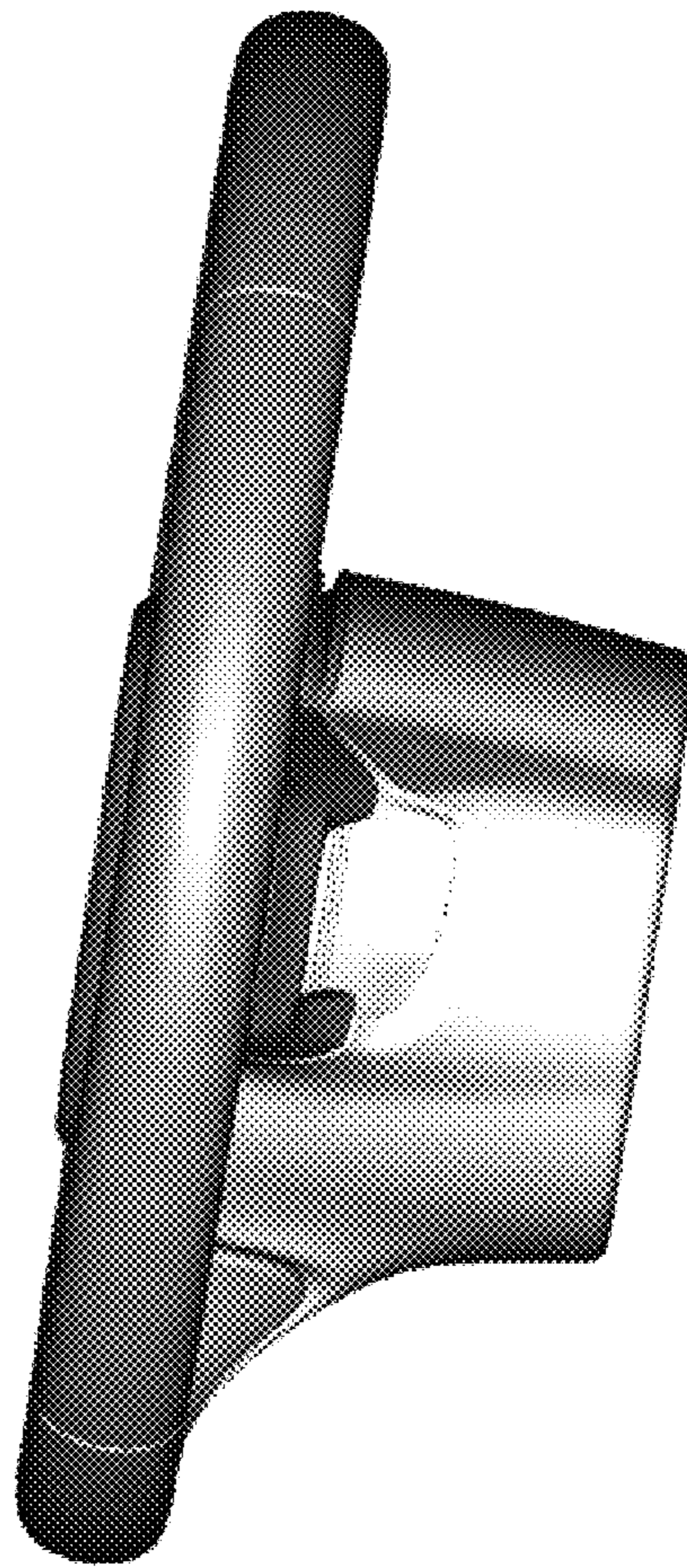


FIG. 5

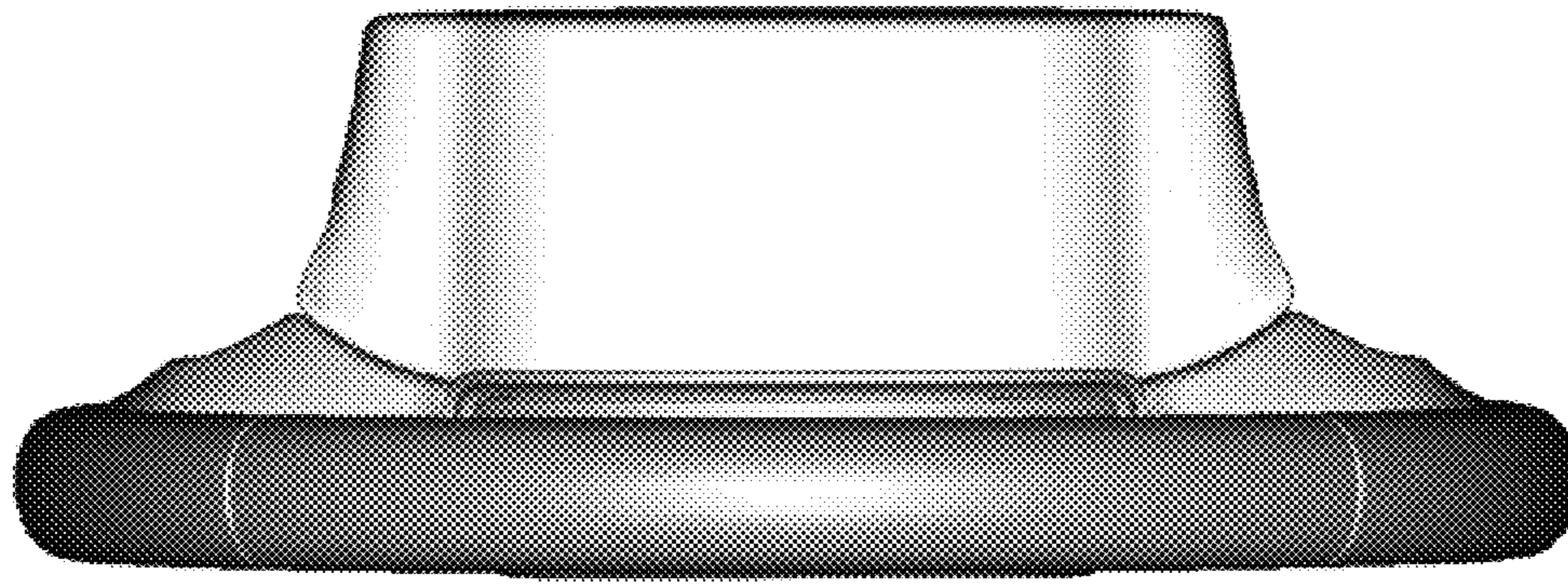


FIG. 6

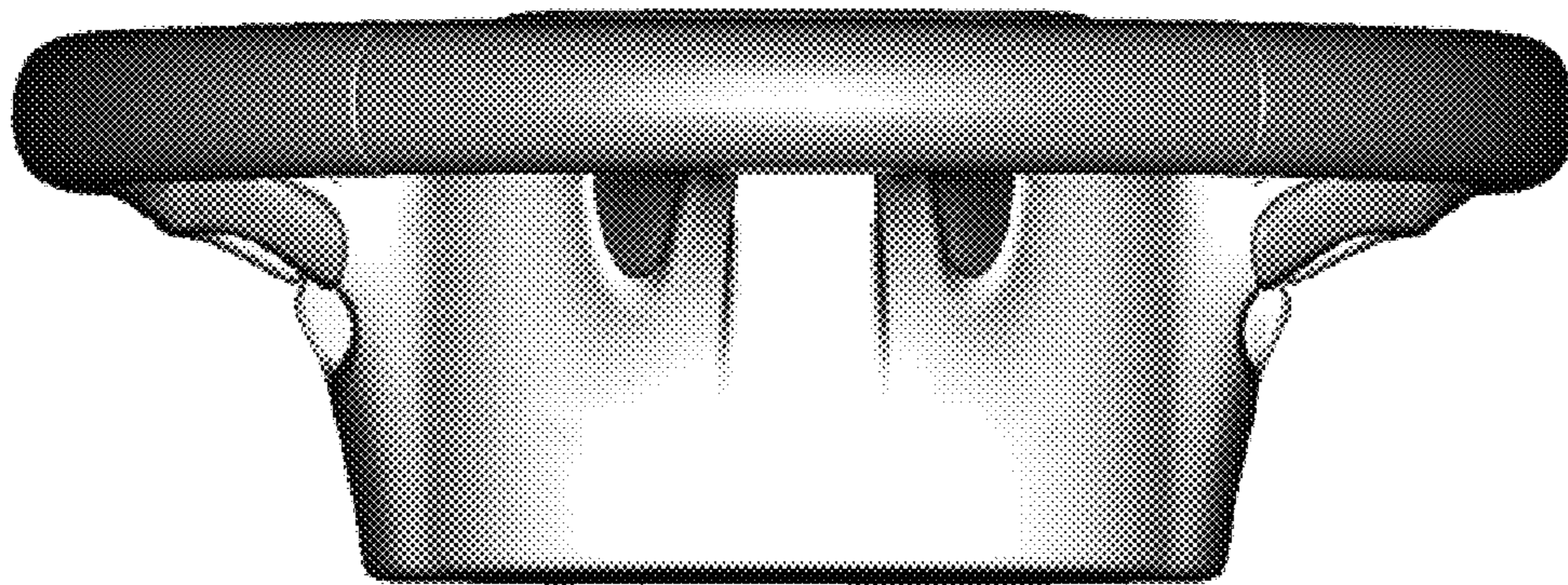


FIG. 7