



US00D741756S

(12) **United States Design Patent**
Riley et al.

(10) **Patent No.:** **US D741,756 S**
(45) **Date of Patent:** **** Oct. 27, 2015**

- (54) **VEHICULAR RADIUS ARM**
- (71) Applicant: **FABTECH INDUSTRIES, INC.**,
Chino, CA (US)
- (72) Inventors: **Brent Riley**, Chino, CA (US); **Steve Erdelyi**, Chino, CA (US)
- (73) Assignee: **Fabtech Industries, Inc.**, Chino, CA (US)
- (**) Term: **14 Years**
- (21) Appl. No.: **29/497,812**
- (22) Filed: **Jul. 29, 2014**
- (51) **LOC (10) Cl.** **12-16**
- (52) **U.S. Cl.**
USPC **D12/160**
- (58) **Field of Classification Search**
USPC D12/159-160
CPC B62D 21/02; B62D 21/06; B62D 21/07;
B62D 21/08; B62D 21/09; B62D 21/10;
B62D 21/11; B62D 21/12; B62D 21/14;
B62D 21/15; B62D 21/16; B62D 21/17;
B62D 21/18; B62D 27/02; B62D 27/04;
B62D 27/06; B62D 1/02; B62D 1/24; F16F
7/003; F16F 7/01; F16F 7/02; F16F 7/08;
F16F 7/10; F16F 7/12; F16F 7/14; F16F 1/02;
F16F 1/36
See application file for complete search history.

(56) **References Cited**

U.S. PATENT DOCUMENTS

D543,492 S *	5/2007	Lyew	D12/159
D632,618 S *	2/2011	Zimmer	D12/159
D727,218 S *	4/2015	Hsu	D12/159
2004/0123769 A1 *	7/2004	Nishimura	B60G 11/14 105/218.2

2006/0033298 A1 *	2/2006	Longworth	B60G 7/001 280/124.11
2009/0102152 A1 *	4/2009	Wallace	B60G 7/008 280/124.11

OTHER PUBLICATIONS

- FABTECH, "Ford F-150", catalog, 1999, 1 page.
- FABTECH, "1999-On 2WD Super Duty", catalog, 2000, 1 page.
- FABTECH, "1999-01 Super Duty & Excursion", catalog, 2002 1 page.
- FABTECH, "2005 Ford Super Duty", catalog, 2005, 1 page.
- FABTECH, "2005-2006 Ford Super Duty", catalog, 2006, 1 page.
- FABTECH, "1999-04 Ford F250/F350 Super Duty/Excursion 2WD", catalog, 2008, 1 page.
- FABTECH, "2008 Ford F250/F350 Super Duty 4WD", catalog, 2008, 1 page.
- FABTECH, "Ford 05-11 F250/F350/F450/F550", catalog, 2011, 1 page.
- FABTECH, consumer catalog, 2011, 2 pages.
- FABTECH, "Ford 99-10 F250/F350/Excursion", catalog, 2011, 1 page.

* cited by examiner

Primary Examiner — Michael A Pratt

(74) *Attorney, Agent, or Firm* — Stetina Brunda Garred & Brucker

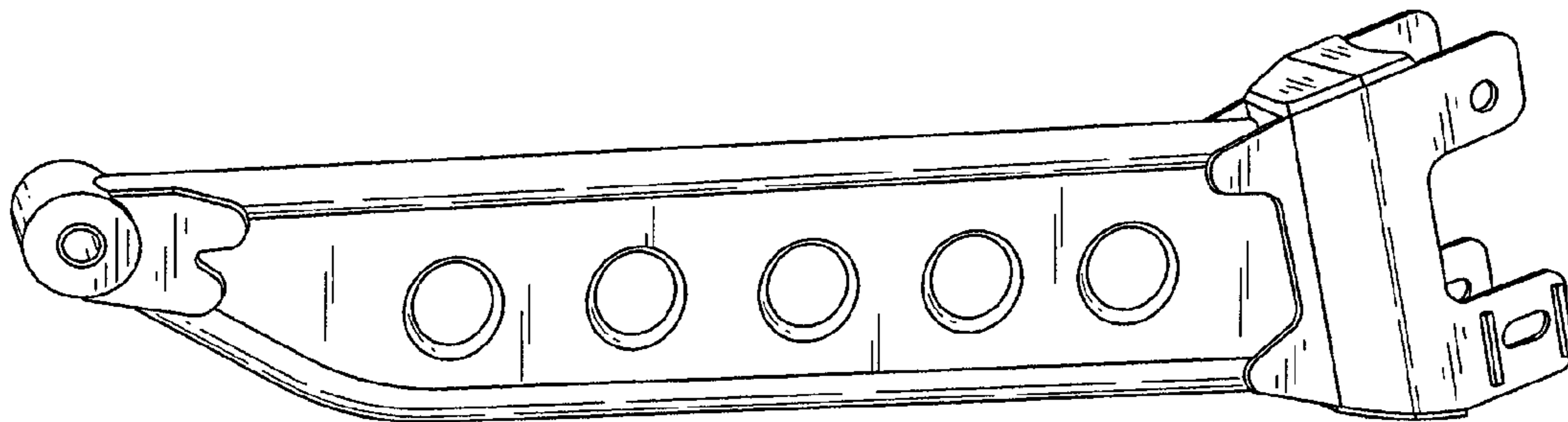
(57) **CLAIM**

The ornamental design for a vehicular radius arm, as shown and described.

DESCRIPTION

FIG. 1 is a front perspective view of the vehicular radius arm of the present invention showing our new design;
 FIG. 2 is a top plan view thereof;
 FIG. 3 is a front elevational view thereof;
 FIG. 4 is a bottom plan view thereof;
 FIG. 5 is a rear elevational view thereof;
 FIG. 6 is a left end view thereof; and,
 FIG. 7 is a right end view thereof.

1 Claim, 2 Drawing Sheets



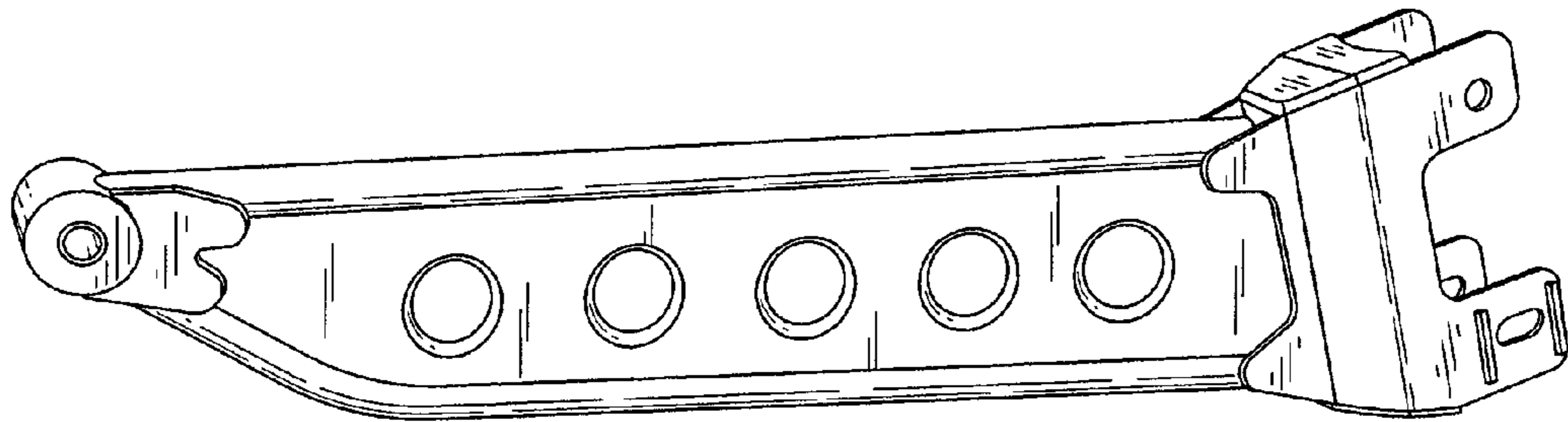


Fig. 1

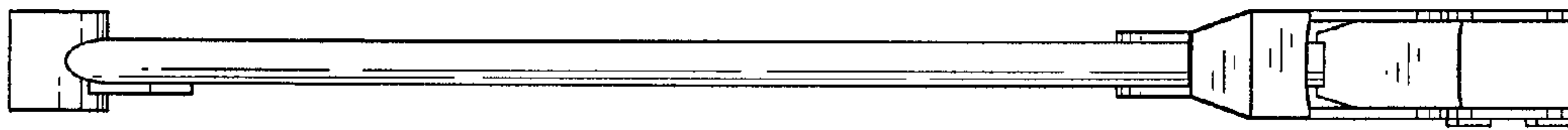


Fig. 2

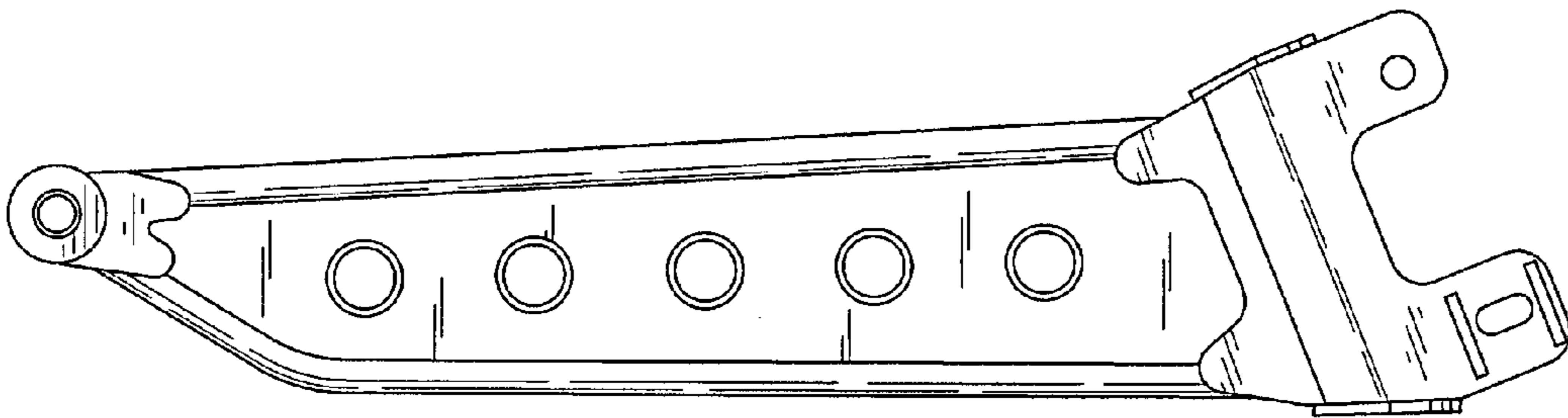


Fig. 3

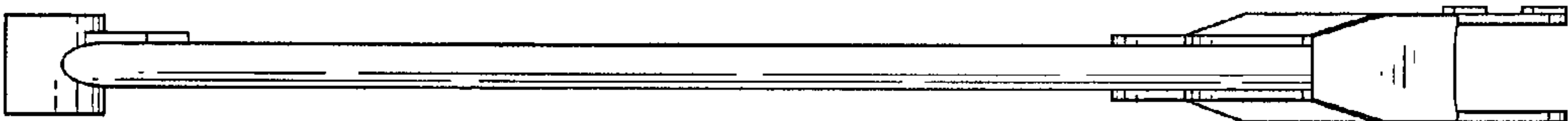


Fig. 4

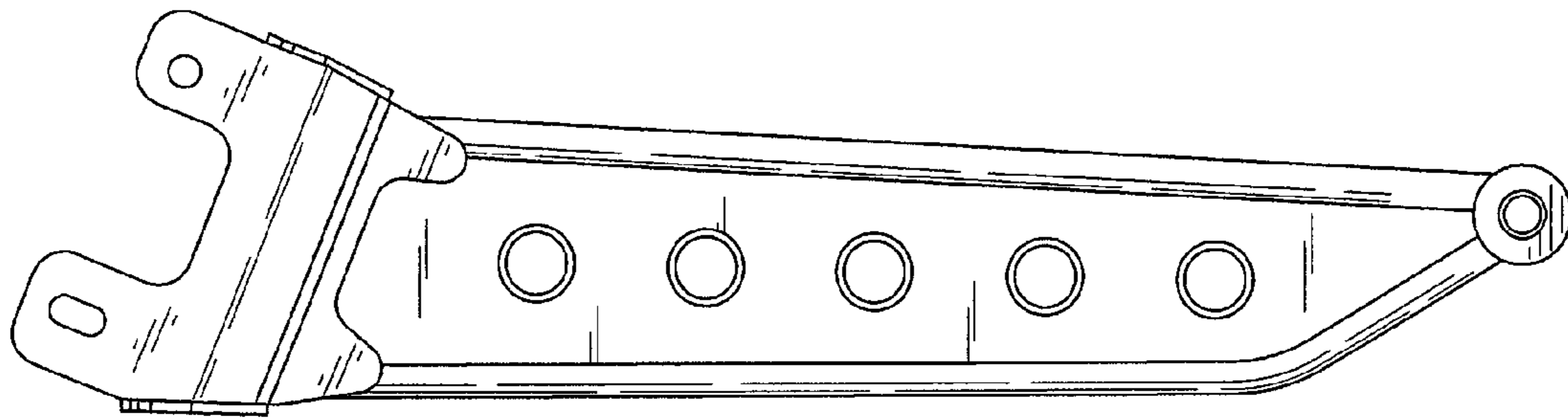


Fig. 5

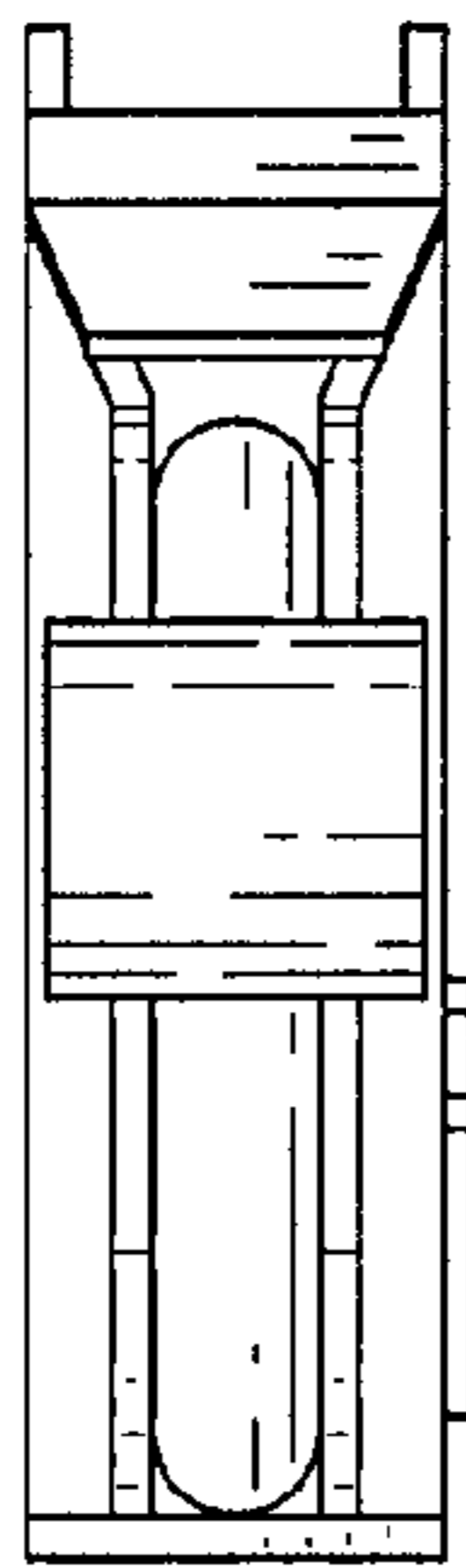


Fig. 6

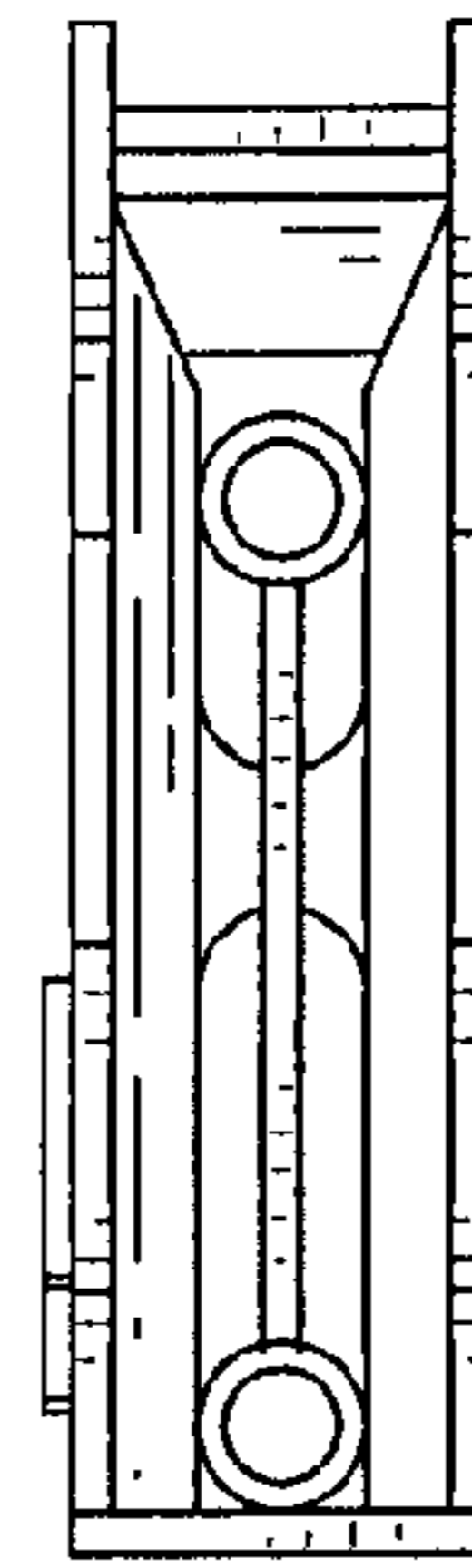


Fig. 7