



US00D741750S

(12) **United States Design Patent**
Ng

(10) **Patent No.:** **US D741,750 S**
(45) **Date of Patent:** **** Oct. 27, 2015**

(54) **SLIDER FOR SLIDE FASTENER**

(56) **References Cited**

(71) Applicant: **Wang Lap Ronny Ng**, New Territories
(HK)

(72) Inventor: **Wang Lap Ronny Ng**, New Territories
(HK)

(**) Term: **14 Years**

(21) Appl. No.: **29/495,660**

(22) Filed: **Jul. 2, 2014**

(30) **Foreign Application Priority Data**

Mar. 22, 2014 (HK) 1400525

(51) **LOC (10) Cl.** **02-07**

(52) **U.S. Cl.**
USPC **D11/221**

(58) **Field of Classification Search**
USPC D11/200–201, 221; 24/381–383,
24/385–387, 414–431, 4, 412; 2/265;
D2/641; 294/2, 3.6; 223/111
CPC A44B 19/00; A44B 19/02; A44B 19/04;
A44B 19/10; A44B 19/24; A44B 19/26;
A44B 19/30; A44B 19/06

See application file for complete search history.

U.S. PATENT DOCUMENTS

5,991,981 A *	11/1999	Komuro et al.	24/418
6,094,786 A *	8/2000	Wakabayashi	24/429
D558,091 S *	12/2007	Cossutti	D11/221
D643,336 S *	8/2011	Di Girolami et al.	D11/221
D643,779 S *	8/2011	Di Girolami et al.	D11/221
D655,645 S *	3/2012	Gut	D11/221
D677,600 S *	3/2013	Au et al.	D11/221
D705,124 S *	5/2014	Wang	D11/221
D721,616 S *	1/2015	Yamashita	D11/221

* cited by examiner

Primary Examiner — Ralf Seifert

(74) *Attorney, Agent, or Firm* — Gloria Tsui-Yip, Esq.;
Miskin & Tsui-Yip LLP

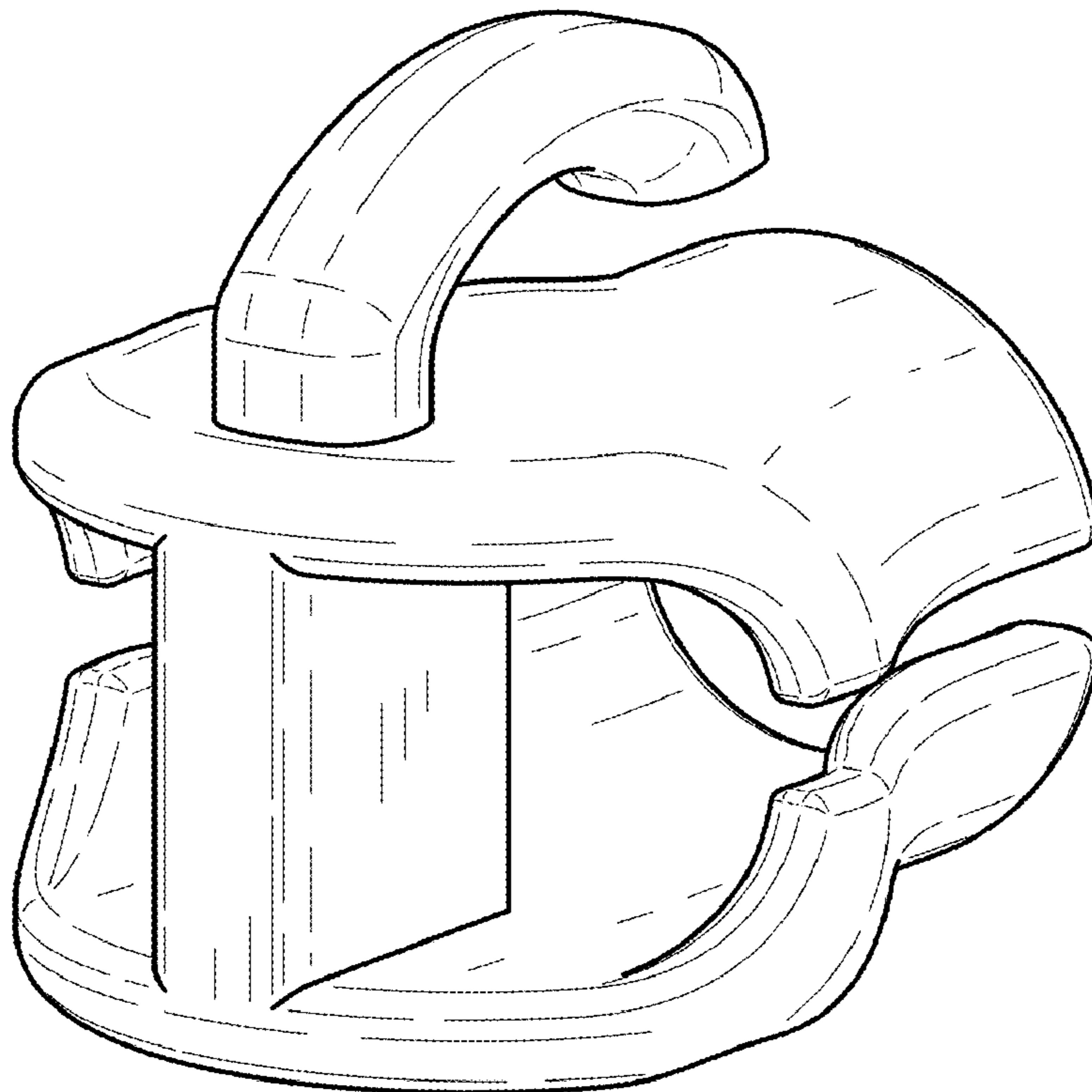
(57) **CLAIM**

The ornamental design for a slider for slide fastener, as shown and described.

DESCRIPTION

FIG. 1 is a front elevational view of my new design;
FIG. 2 is a top plan view thereof;
FIG. 3 is a right side view thereof;
FIG. 4 is a left side view thereof;
FIG. 5 is a bottom plan view thereof;
FIG. 6 is a rear elevational view thereof;
FIG. 7 is a perspective view thereof; and,
FIG. 8 is another perspective view thereof.

1 Claim, 4 Drawing Sheets



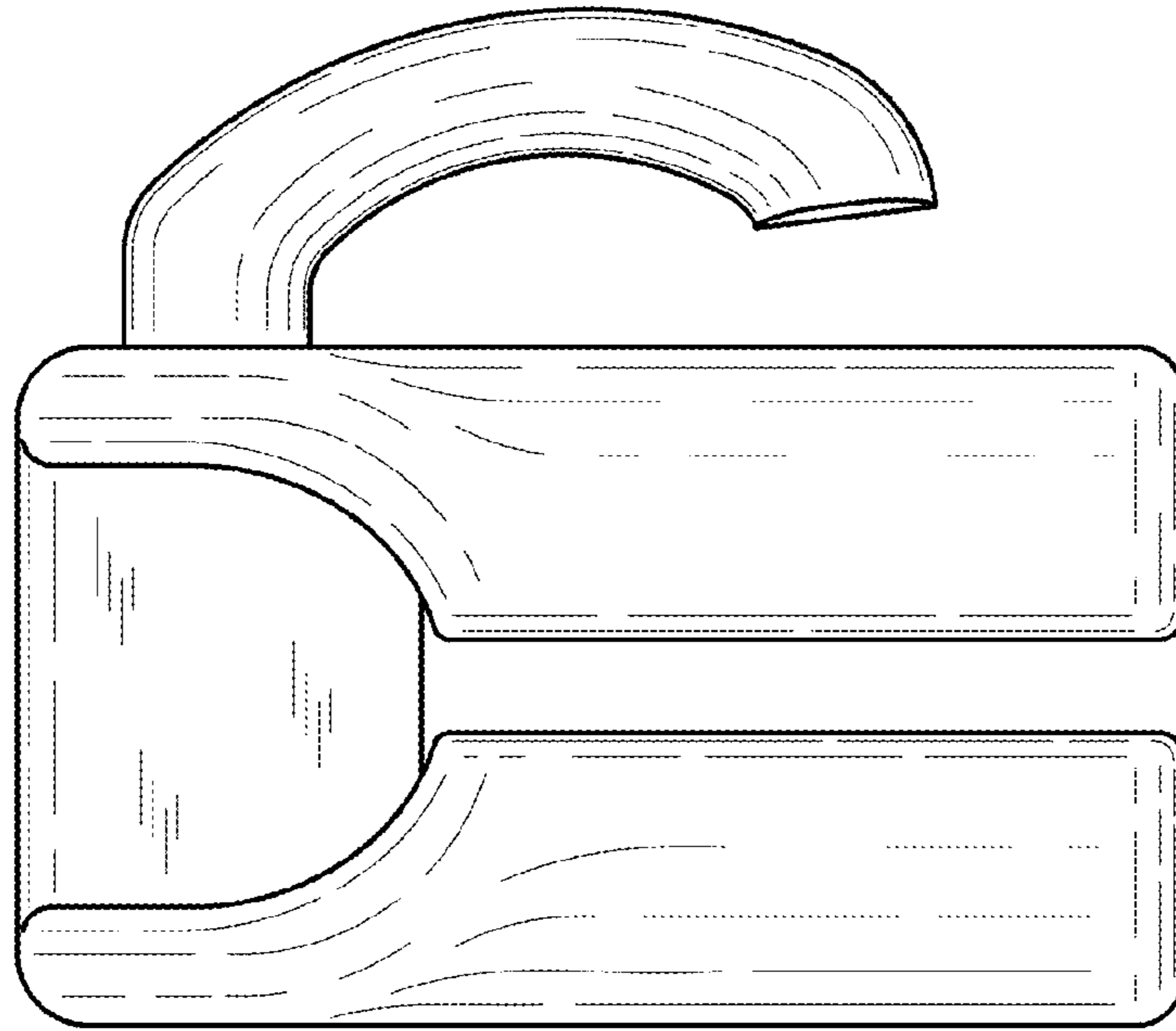


Fig.1

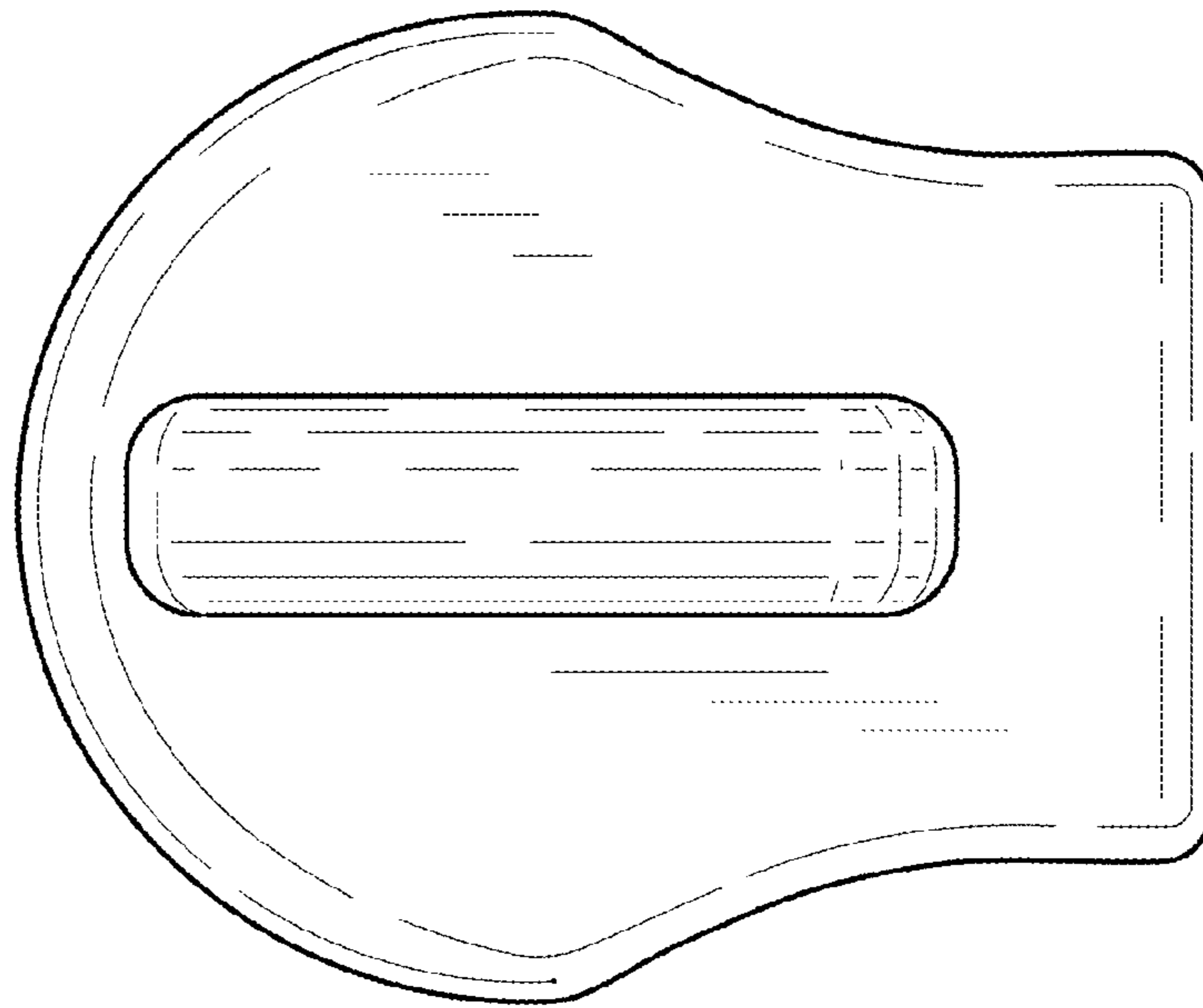


Fig.2

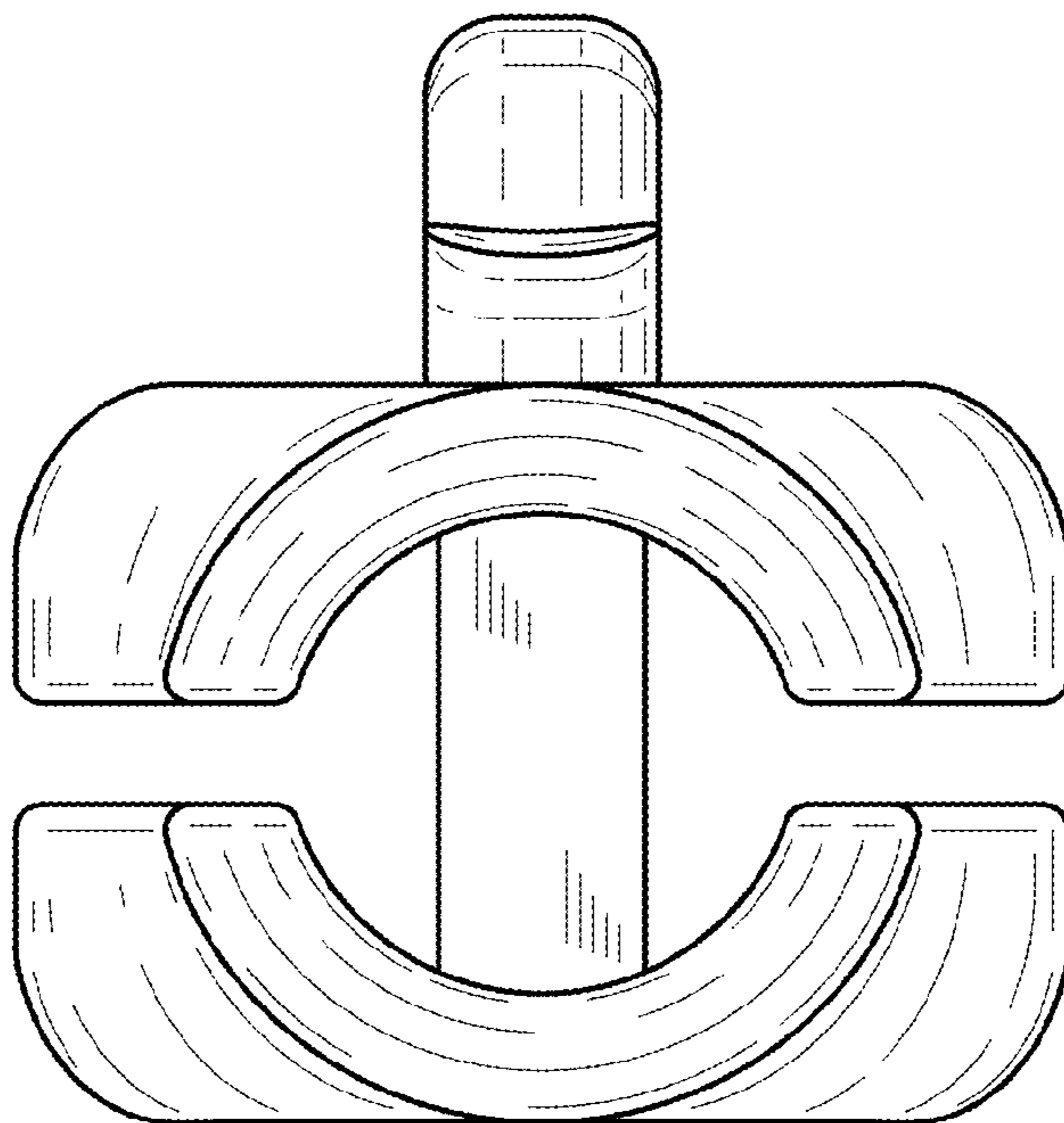


Fig.3

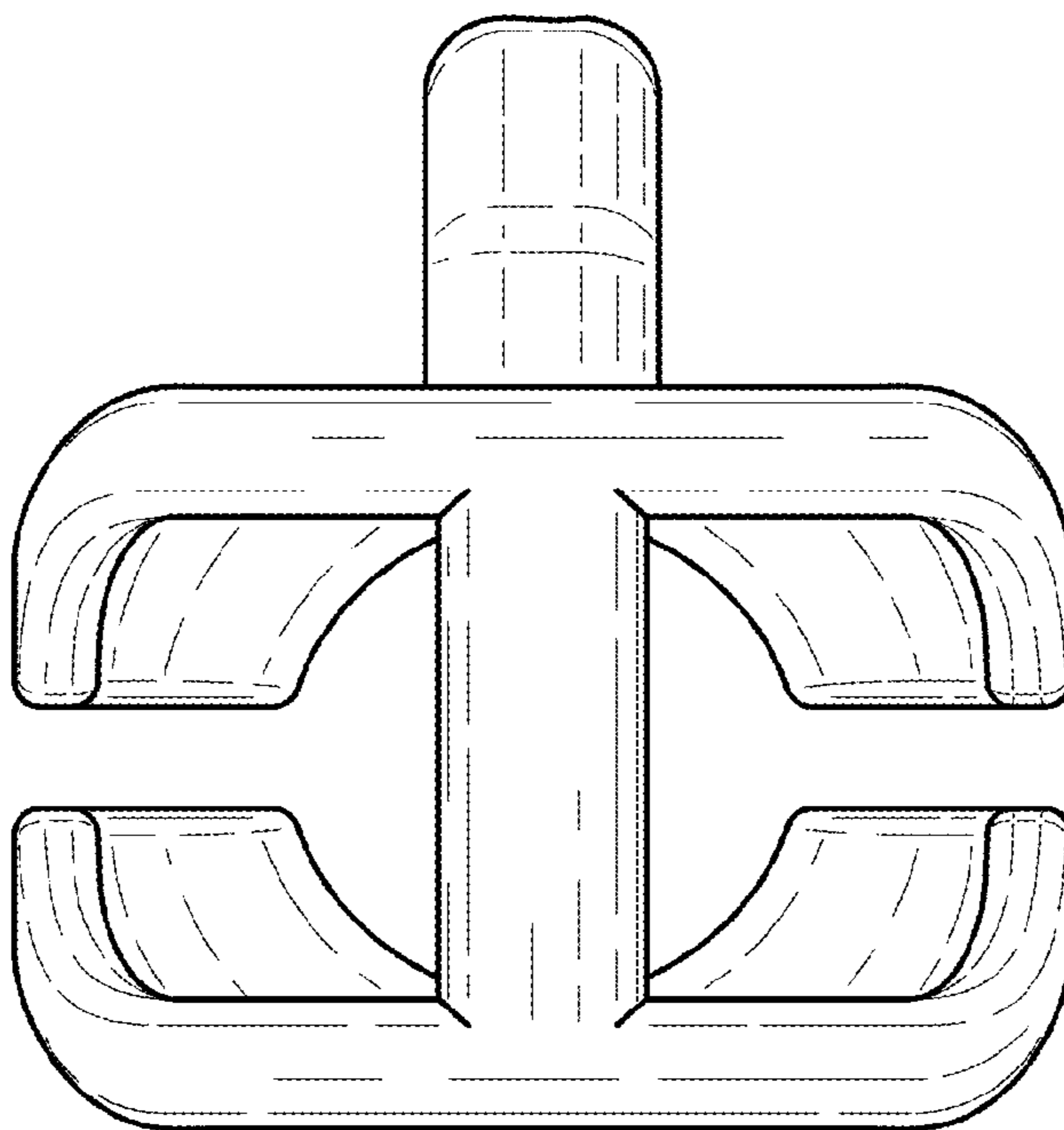


Fig.4

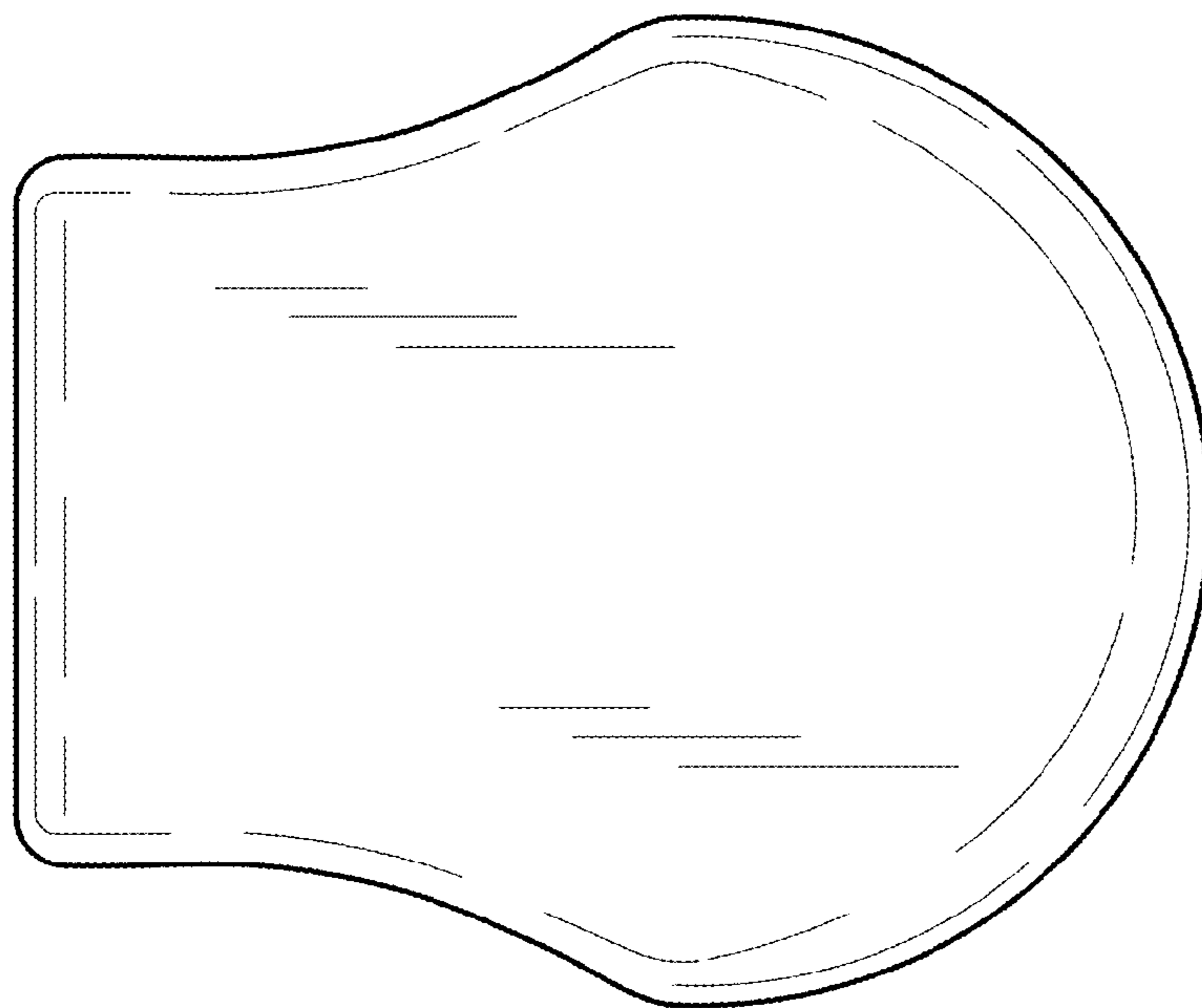


Fig.5

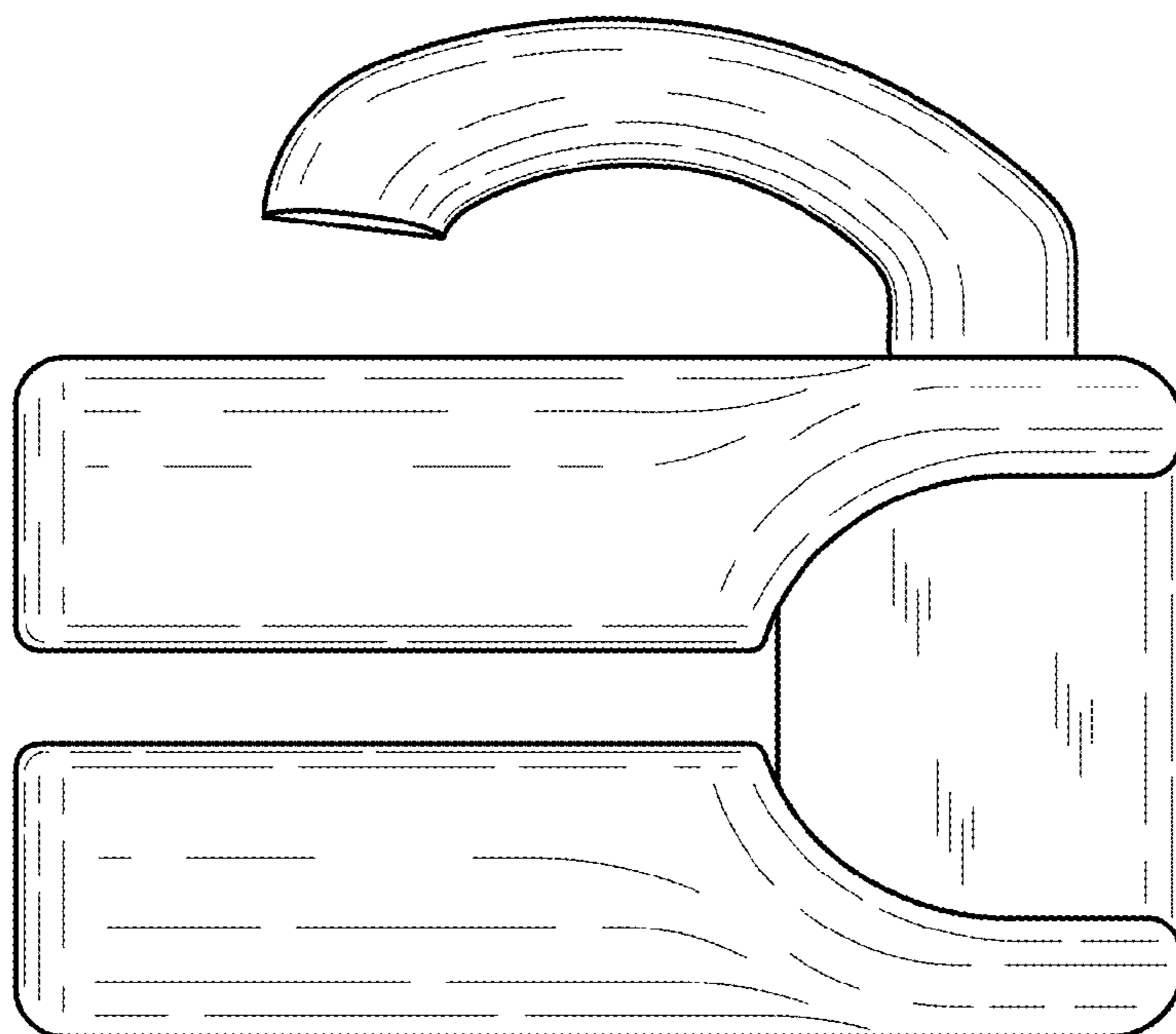


Fig.6

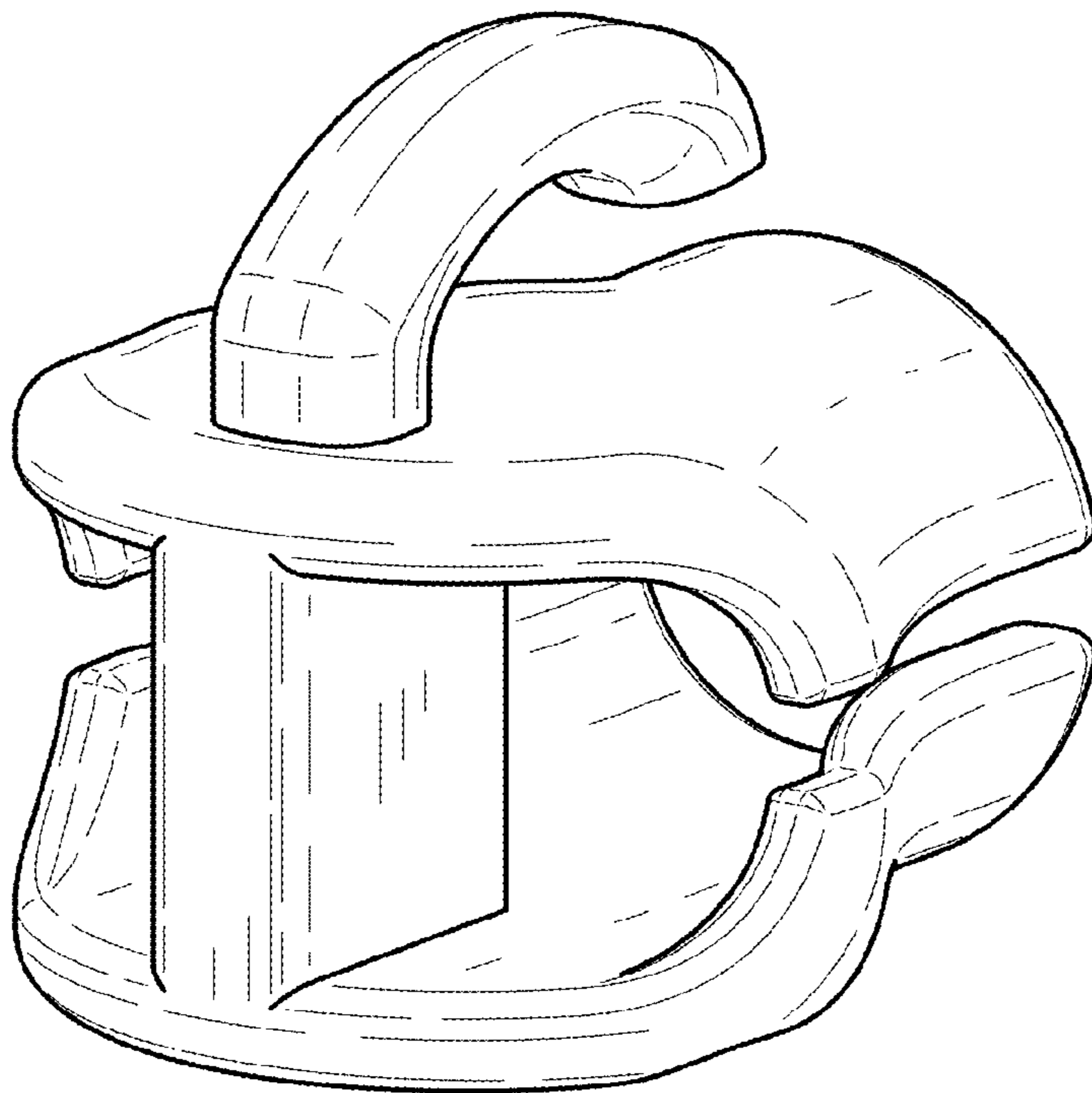


Fig.7

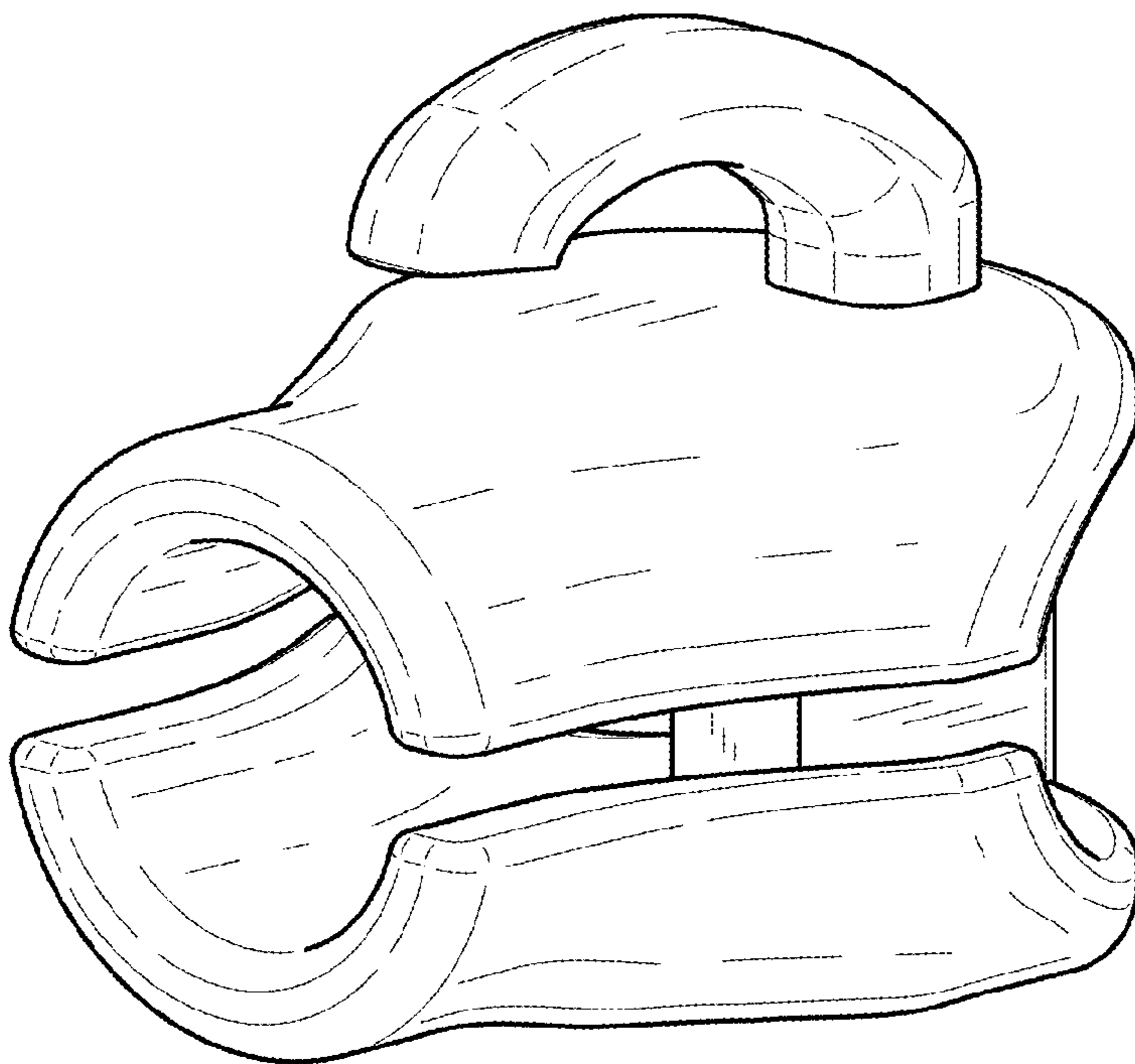


Fig.8