



US00D741749S

(12) **United States Design Patent**
Ng

(10) **Patent No.:** **US D741,749 S**

(45) **Date of Patent:** **** Oct. 27, 2015**

(54) **SLIDE FASTENER**

D724,996 S * 3/2015 Hung D11/221
D732,424 S * 6/2015 Ng D11/221
D732,425 S * 6/2015 Ng D11/221

(71) Applicant: **Wang Lap Ronny Ng**, New Territories
(HK)

* cited by examiner

(72) Inventor: **Wang Lap Ronny Ng**, New Territories
(HK)

Primary Examiner — Ralf Seifert

(74) *Attorney, Agent, or Firm* — Gloria Tsui-Yip, Esq.;
Miskin & Tsui-Yip LLP

(**) Term: **14 Years**

(21) Appl. No.: **29/495,656**

(57) **CLAIM**

The ornamental design for a slide fastener, as shown and described.

(22) Filed: **Jul. 2, 2014**

DESCRIPTION

(30) **Foreign Application Priority Data**

Feb. 22, 2014 (HK) 1400310

(51) **LOC (10) Cl.** **02-07**

(52) **U.S. Cl.**
USPC **D11/221**

(58) **Field of Classification Search**
USPC D11/200–201, 221; 24/381–383,
24/385–387, 414–431, 4, 412; 2/265;
D2/641; 294/2, 3.6; 223/111
CPC A44B 19/00; A44B 19/02; A44B 19/04;
A44B 19/10; A44B 19/24; A44B 19/26;
A44B 19/30; A44B 19/06
See application file for complete search history.

FIG. 1 is a front elevational view of my new design;
FIG. 2 is a top plan view thereof;
FIG. 3 is a rear elevational view thereof;
FIG. 4 is a bottom plan view thereof;
FIG. 5 is a left side view thereof;
FIG. 6 is a right side view thereof;
FIG. 7 is a perspective view thereof;
FIG. 8 is another perspective view thereof;
FIG. 9 is a front elevational view of a plurality of elements of my new design interlocking with each other in a closed position;
FIG. 10 is a perspective view of a plurality of elements of my new design interlocking with each other in a closed position; and,
FIG. 11 is a perspective view of a plurality of elements of my new design interlocking with each other in a partially open position.

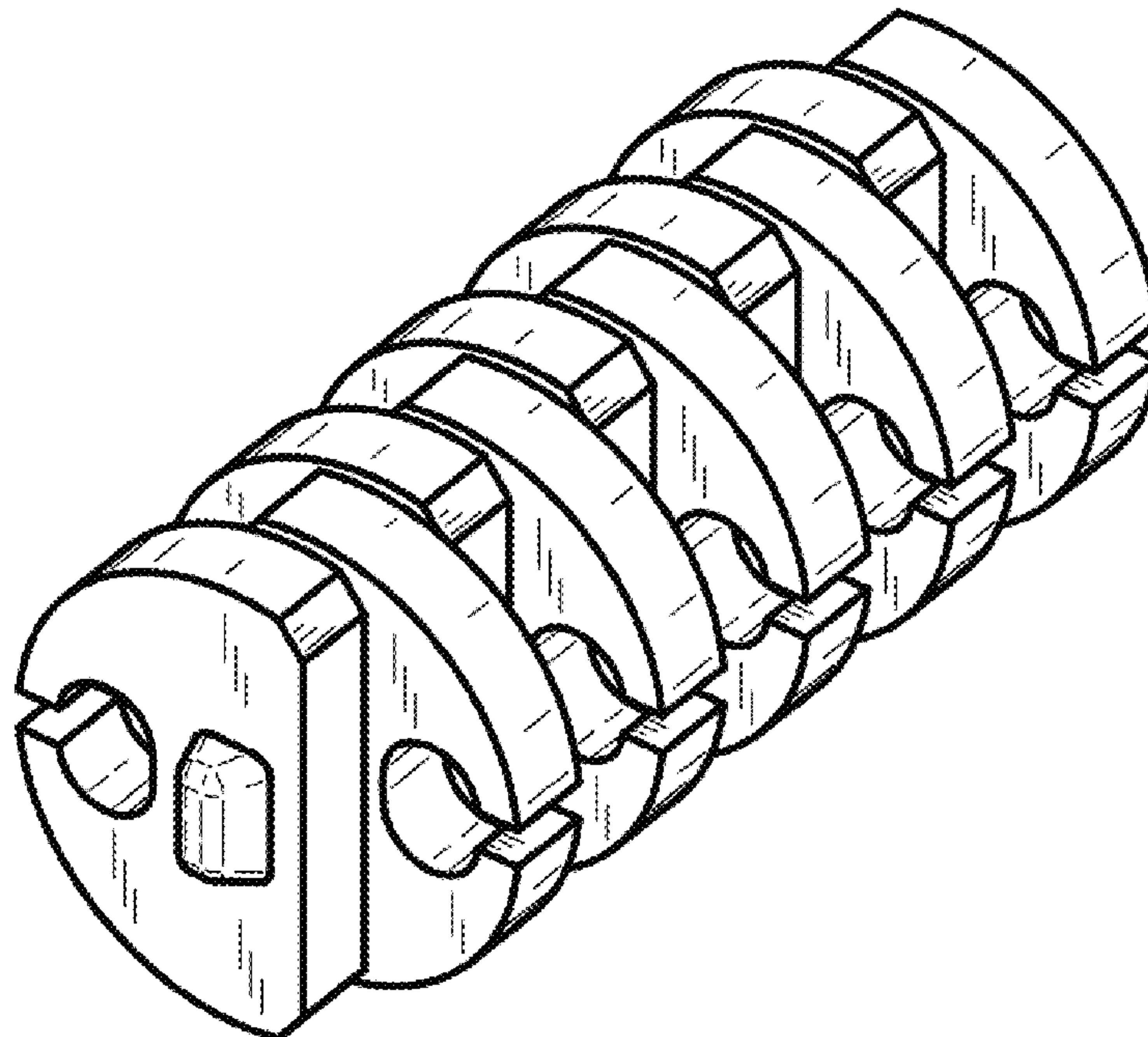
The broken line showing of the planar surfaces where the elements are attached in FIG. 11 illustrate environmental matter which form no part of the claimed design.

(56) **References Cited**

U.S. PATENT DOCUMENTS

2,368,911 A * 2/1945 Andler 24/381
2,398,592 A * 4/1946 Morin 24/410
2,660,774 A * 12/1953 Heimann et al. 24/412
5,394,593 A * 3/1995 Aoki 24/411
D712,785 S * 9/2014 Ng D11/221

1 Claim, 4 Drawing Sheets



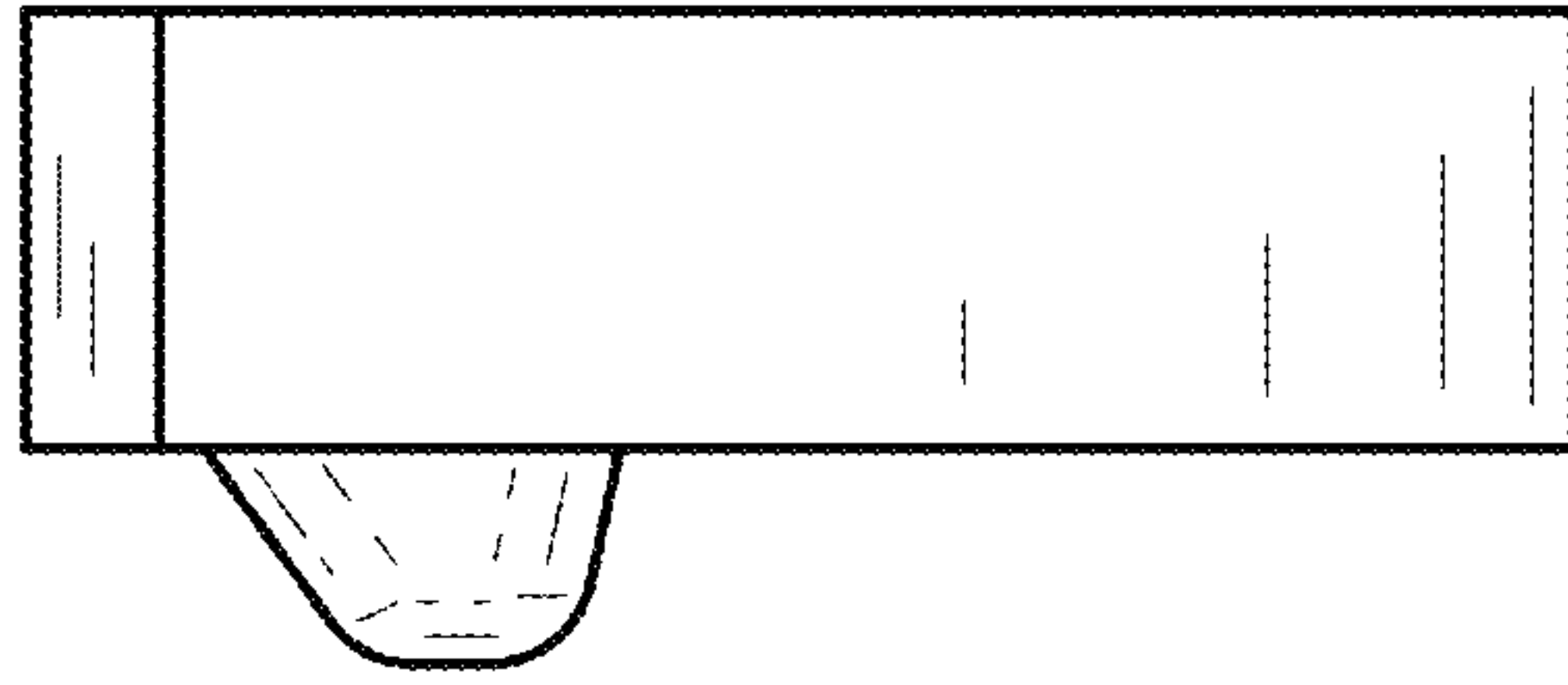


Fig.1

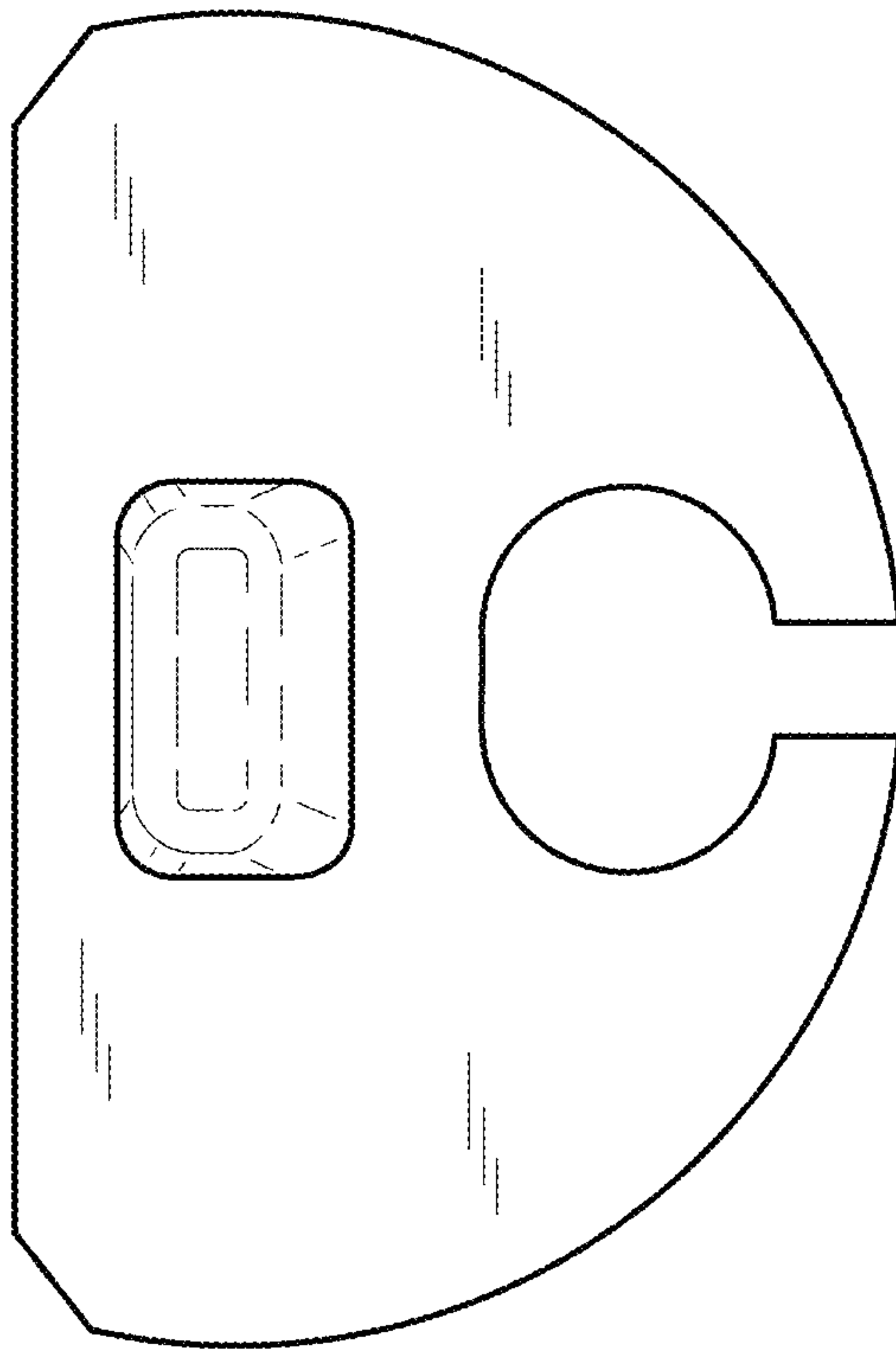


Fig.2

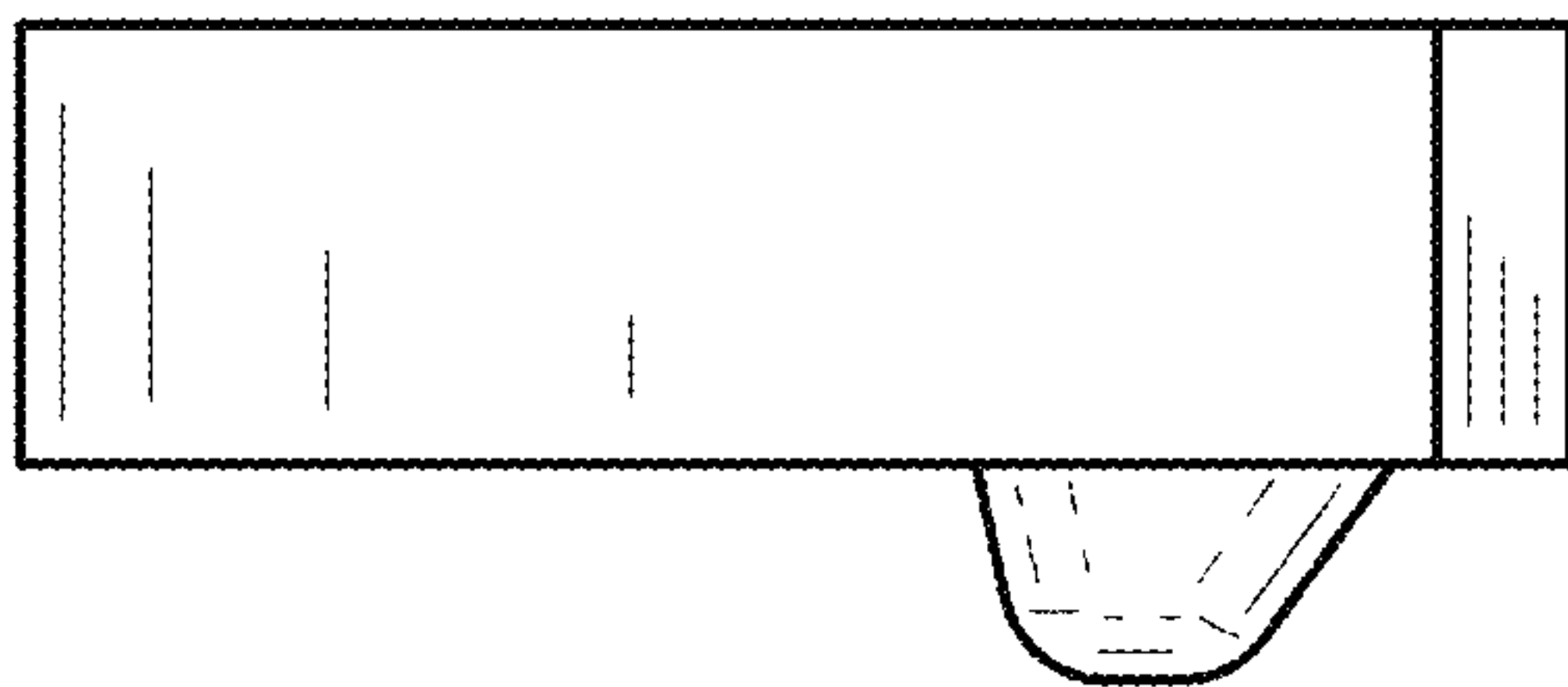


Fig.3

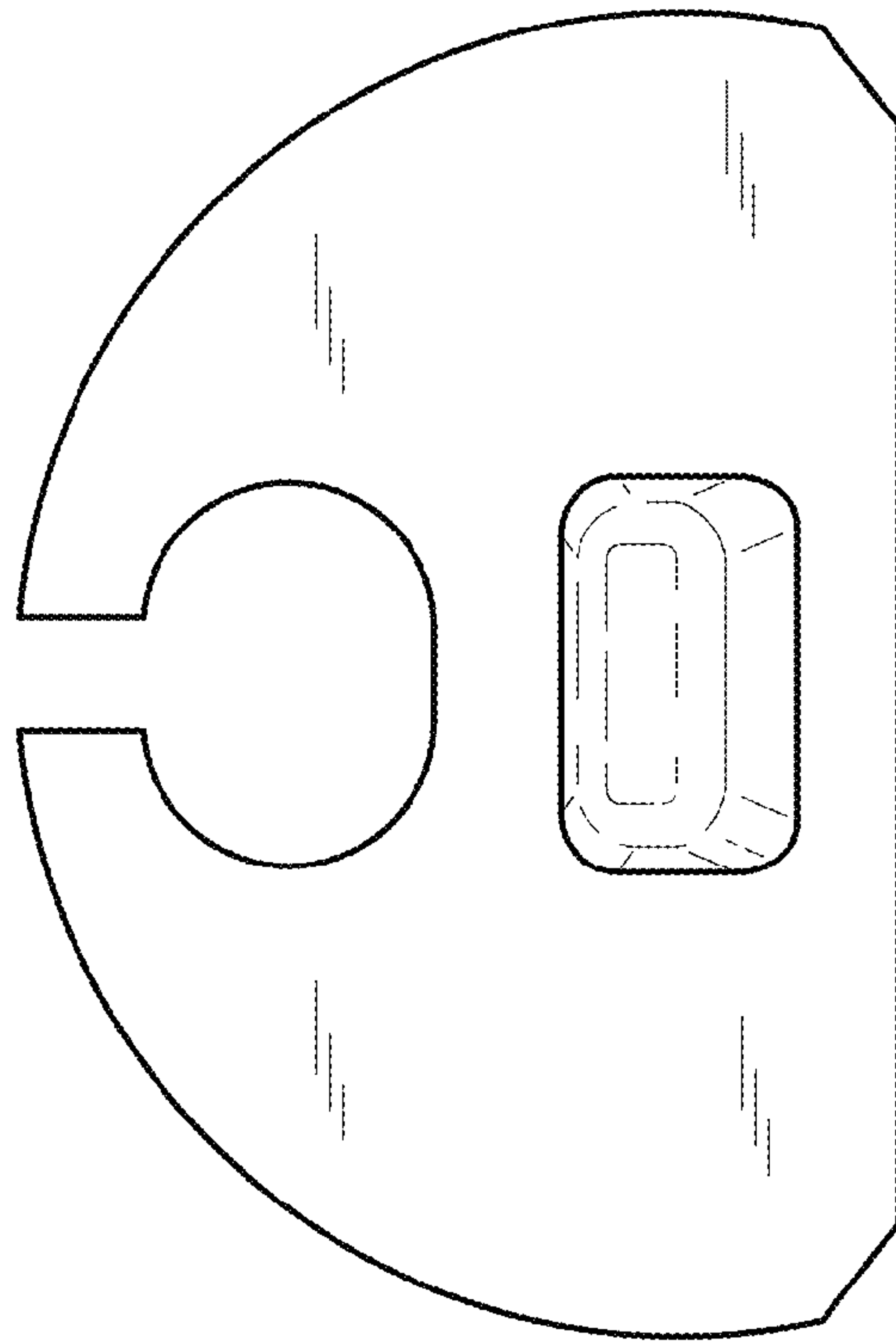


Fig.4

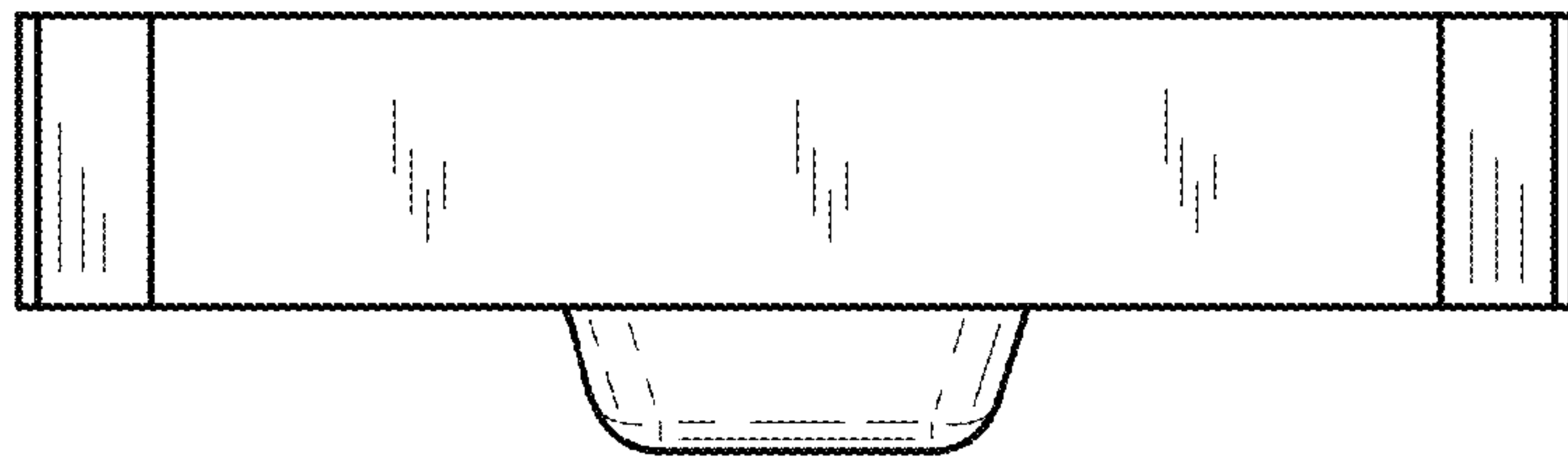


Fig.5

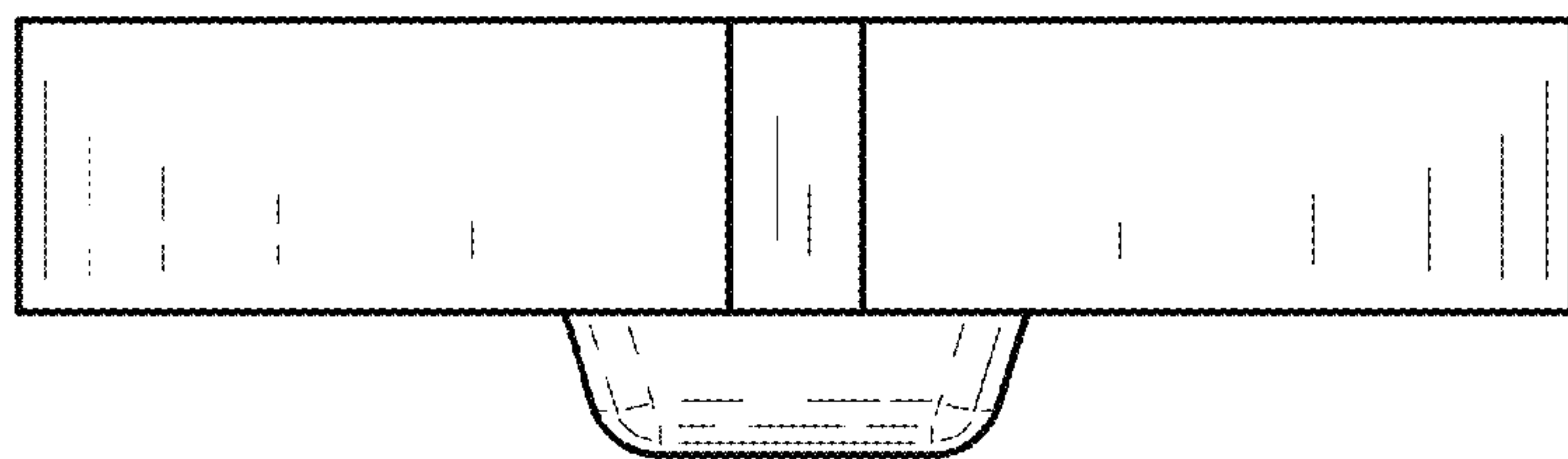


Fig.6

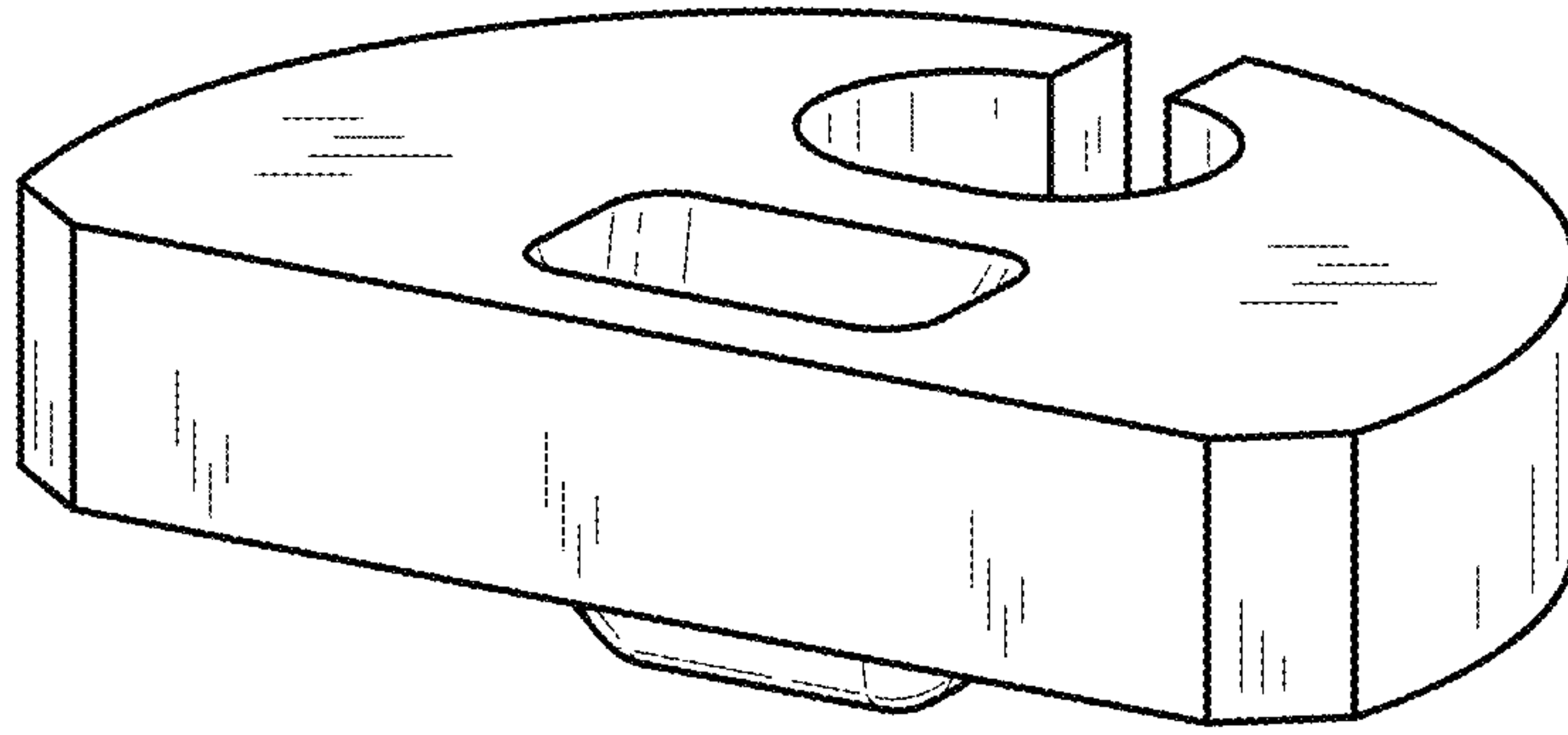


Fig.7

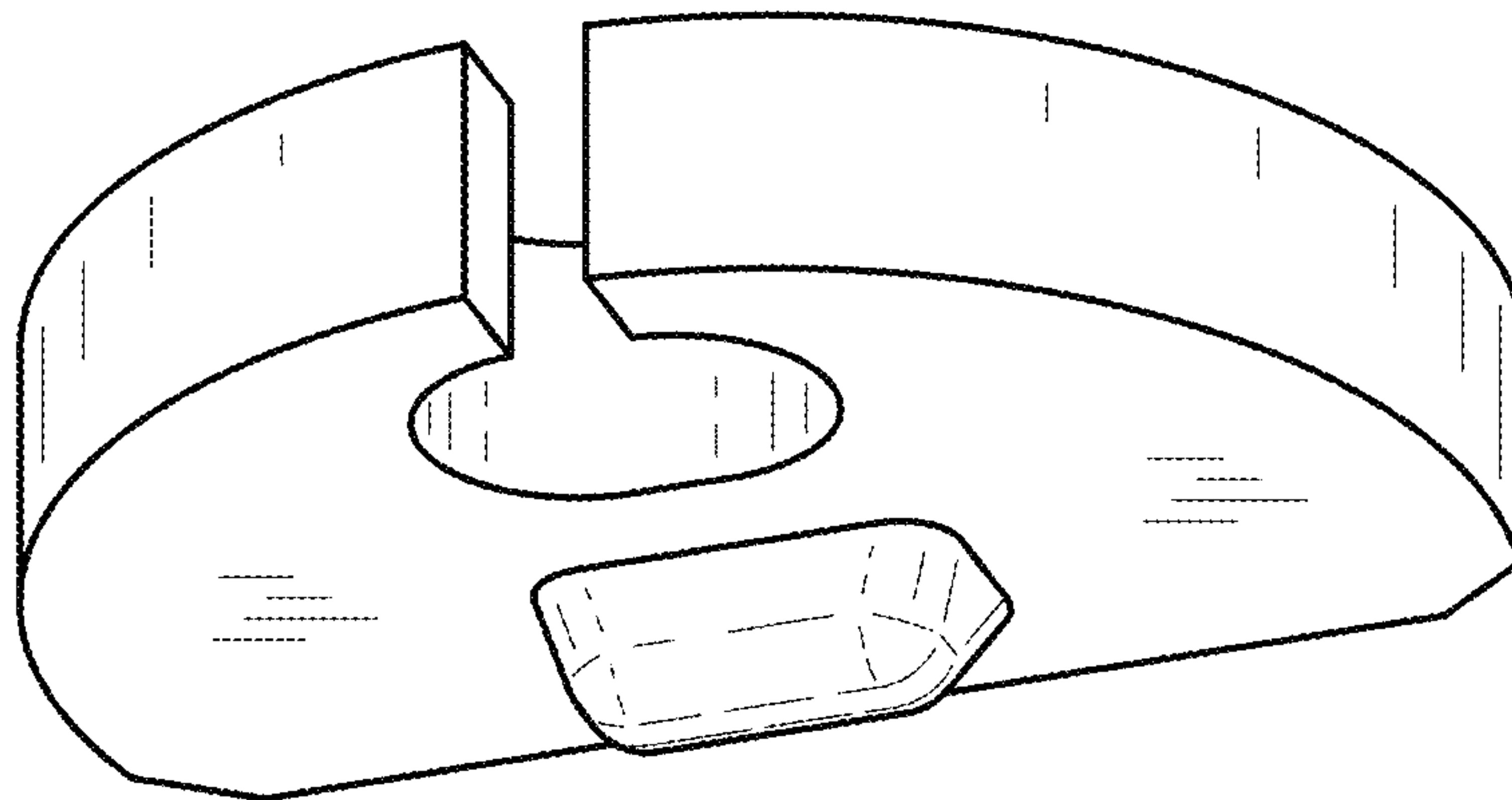


Fig.8

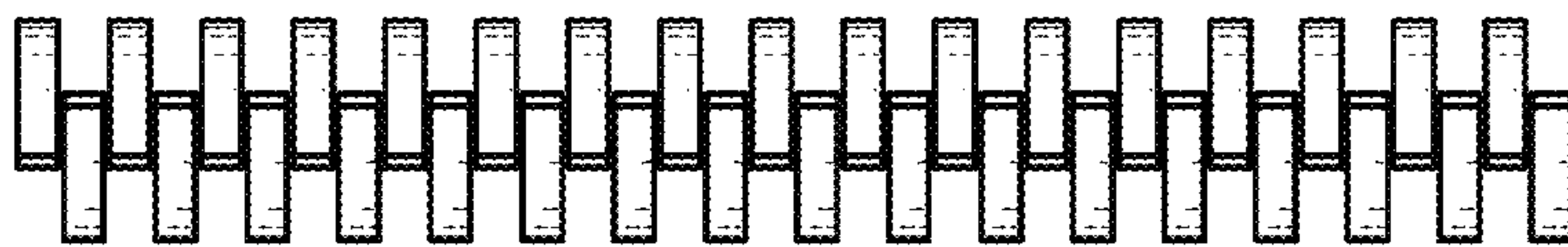


Fig. 9

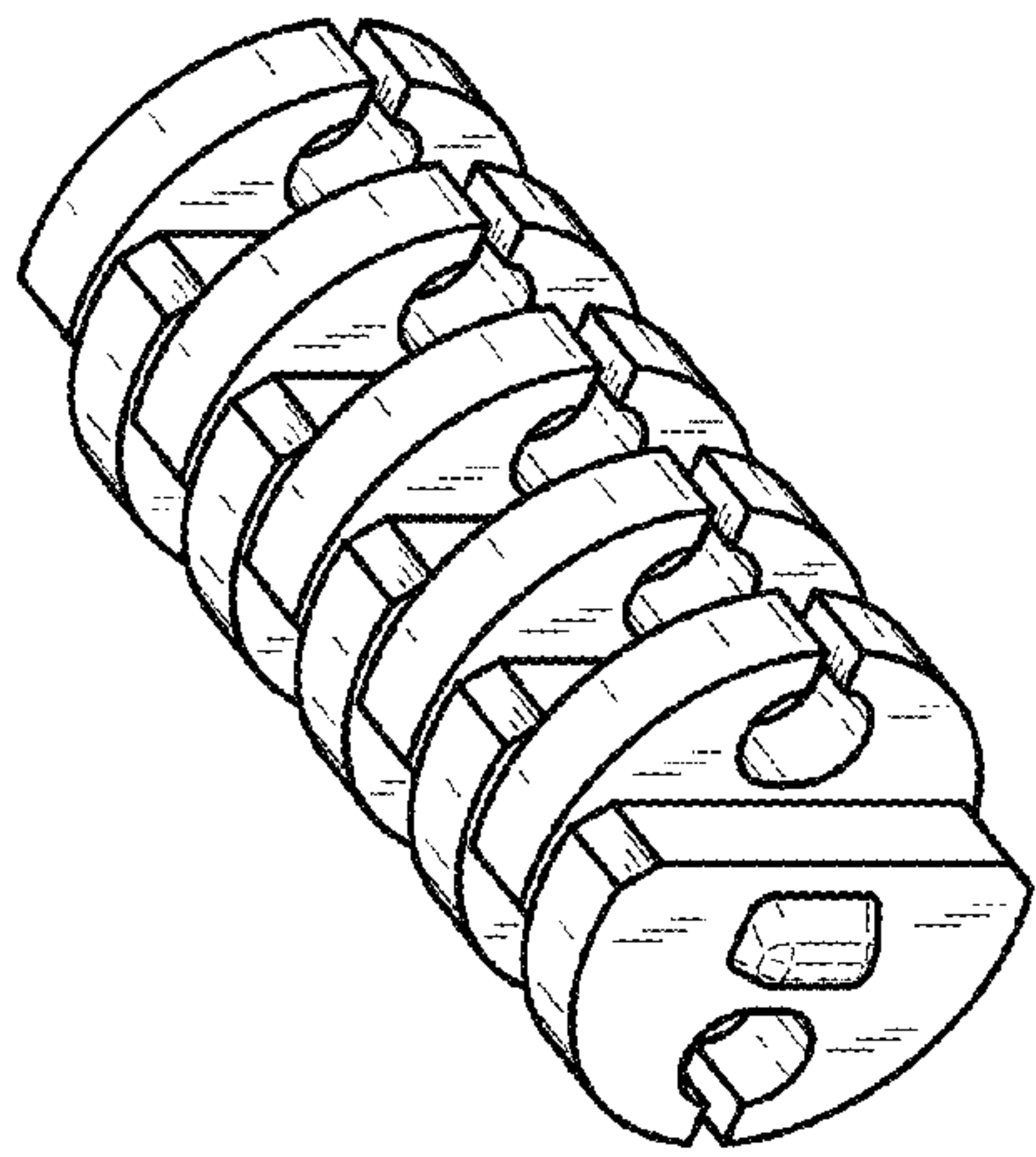


Fig. 10

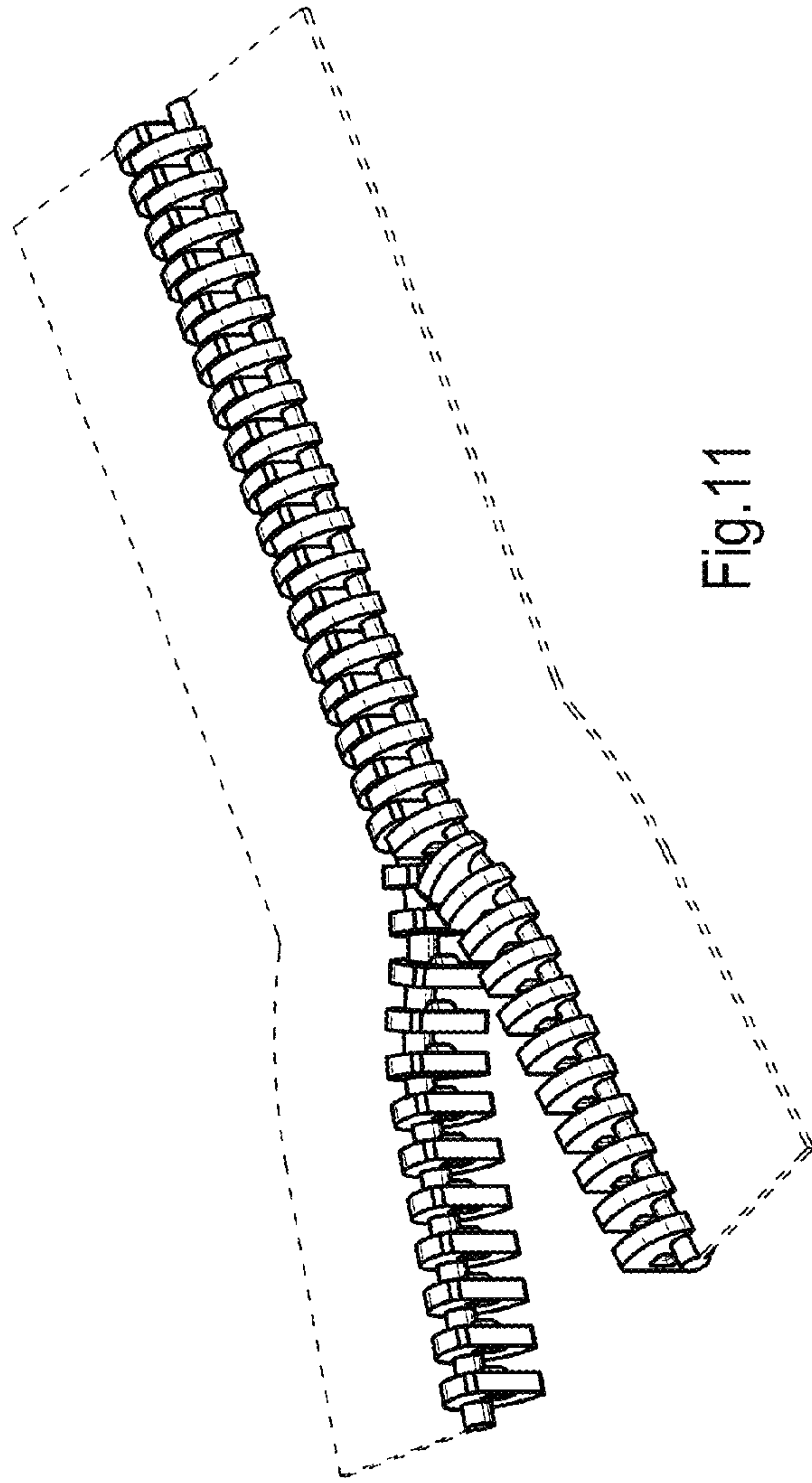


Fig. 11