



US00D741746S

(12) **United States Design Patent**
Willows et al.

(10) **Patent No.:** **US D741,746 S**
(45) **Date of Patent:** **** Oct. 27, 2015**

- (54) **BEZEL FOR ARMBAND POCKET**
- (71) Applicant: **Amphipod, Inc.**, Seattle, WA (US)
- (72) Inventors: **Keith S. Willows**, Seattle, WA (US);
June A. Angus, Seattle, WA (US);
Antonio Del Rosario, Bellevue, WA (US)
- (73) Assignee: **Amphipod, Inc.**, Seattle, WA (US)
- (**) Term: **14 Years**
- (21) Appl. No.: **29/508,361**
- (22) Filed: **Nov. 5, 2014**
- (51) **LOC (10) Cl.** **11-02**
- (52) **U.S. Cl.**
USPC **D11/218**
- (58) **Field of Classification Search**
USPC D11/200–220, 78.1, 222; D20/22;
D3/215, 247, 249; D8/394, 395; 24/60,
24/455, 485, 563, 564, 72.1, 49.1, 52,
24/166.4, 66.13, 56.3, 17 B, 301; D2/609,
D2/639; 2/232; D32/61
CPC A44B 6/00; A44B 21/00; A44B 9/12
See application file for complete search history.

- (56) **References Cited**
U.S. PATENT DOCUMENTS
D77,435 S * 1/1929 Rigold D11/218
2,212,862 A * 8/1940 Hirsh 24/198
D156,661 S * 12/1949 Reiter D11/218

- D156,662 S * 12/1949 Reiter D11/218
- D157,888 S * 3/1950 Muller D11/218
- D162,932 S * 4/1951 Burnham D11/218
- 3,121,270 A * 2/1964 Van Den Broek et al. 24/312
- D350,712 S * 9/1994 D'Ambrosio et al. D11/218
- 5,733,004 A * 3/1998 Celestina-Krevh
et al. 297/250.1
- D511,122 S * 11/2005 Hurn D11/210
- D591,200 S * 4/2009 Freeman D11/218
- D636,291 S * 4/2011 Krauss et al. D11/218
- D666,525 S * 9/2012 Anderson et al. D11/218
- D680,027 S * 4/2013 Haas D11/201
- D717,145 S * 11/2014 Tang D8/34

* cited by examiner

Primary Examiner — Ralf Seifert

(74) *Attorney, Agent, or Firm* — Lowe Graham Jones PLLC

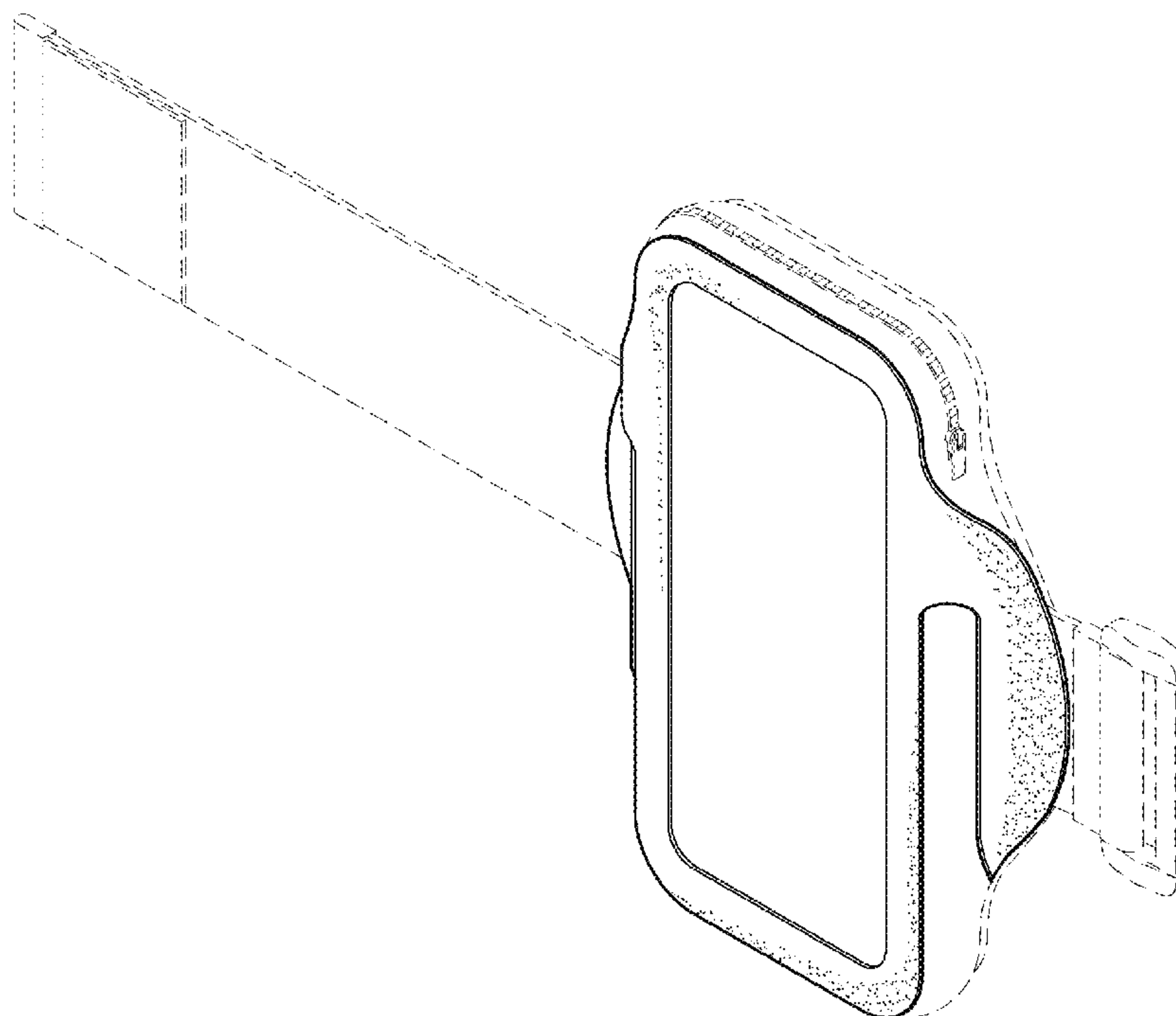
(57) **CLAIM**

We claim the ornamental design for the view of the bezel for armband pocket, as shown and described.

DESCRIPTION

FIG. 1 is a front perspective view of the bezel for armband pocket, showing our new design.
 FIG. 2 is a front view of the bezel for armband pocket.
 FIG. 3 is a left side view of the bezel for armband pocket.
 FIG. 4 is a right side view of the bezel for armband pocket.
 FIG. 5 is a top view of the bezel for armband pocket; and,
 FIG. 6 is a bottom view of the bezel for armband pocket.
 The back view is unornamented and not shown. Features shown in broken lines are for illustrative purposes only and form not part of the claimed invention.

1 Claim, 4 Drawing Sheets



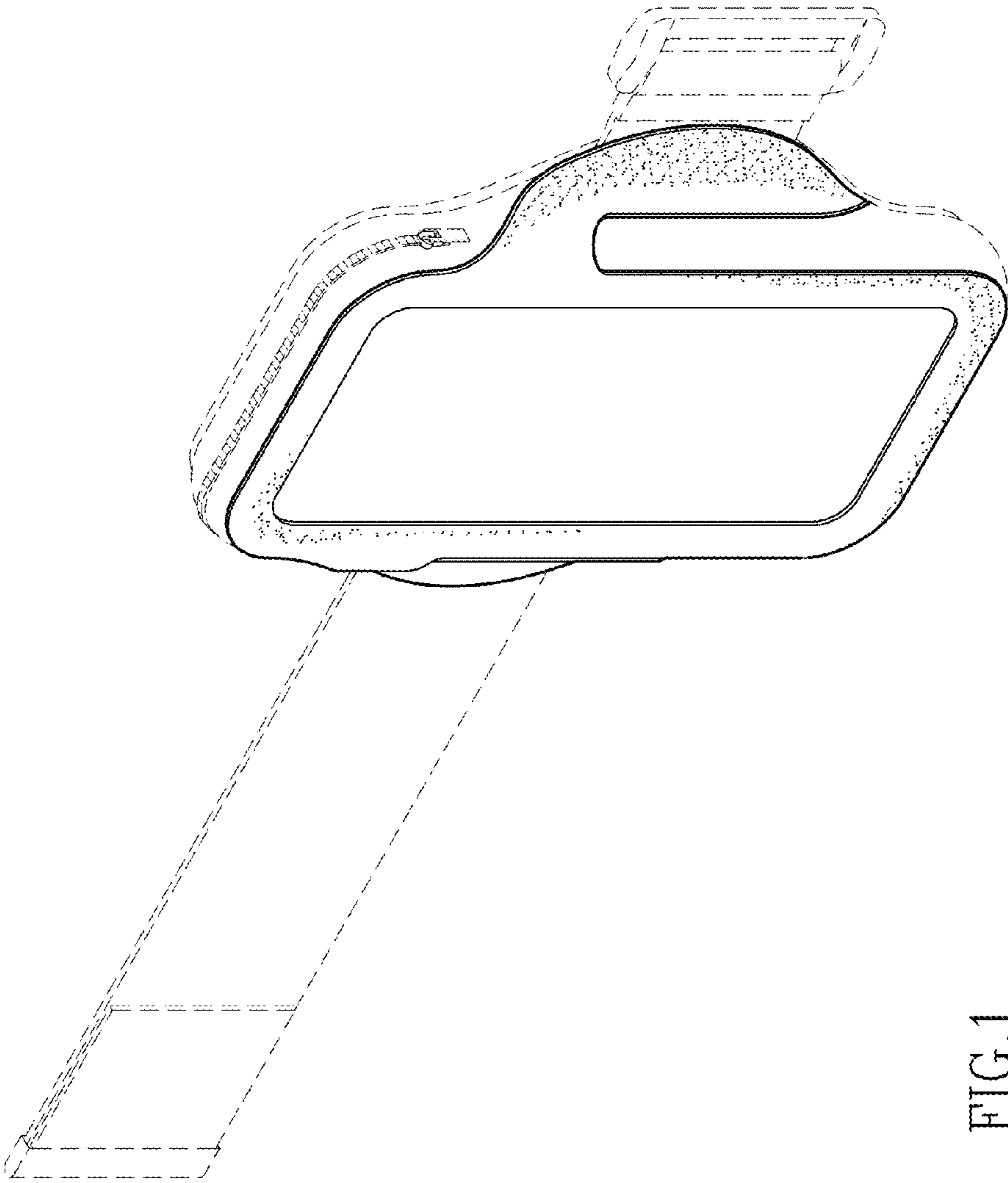


FIG.1

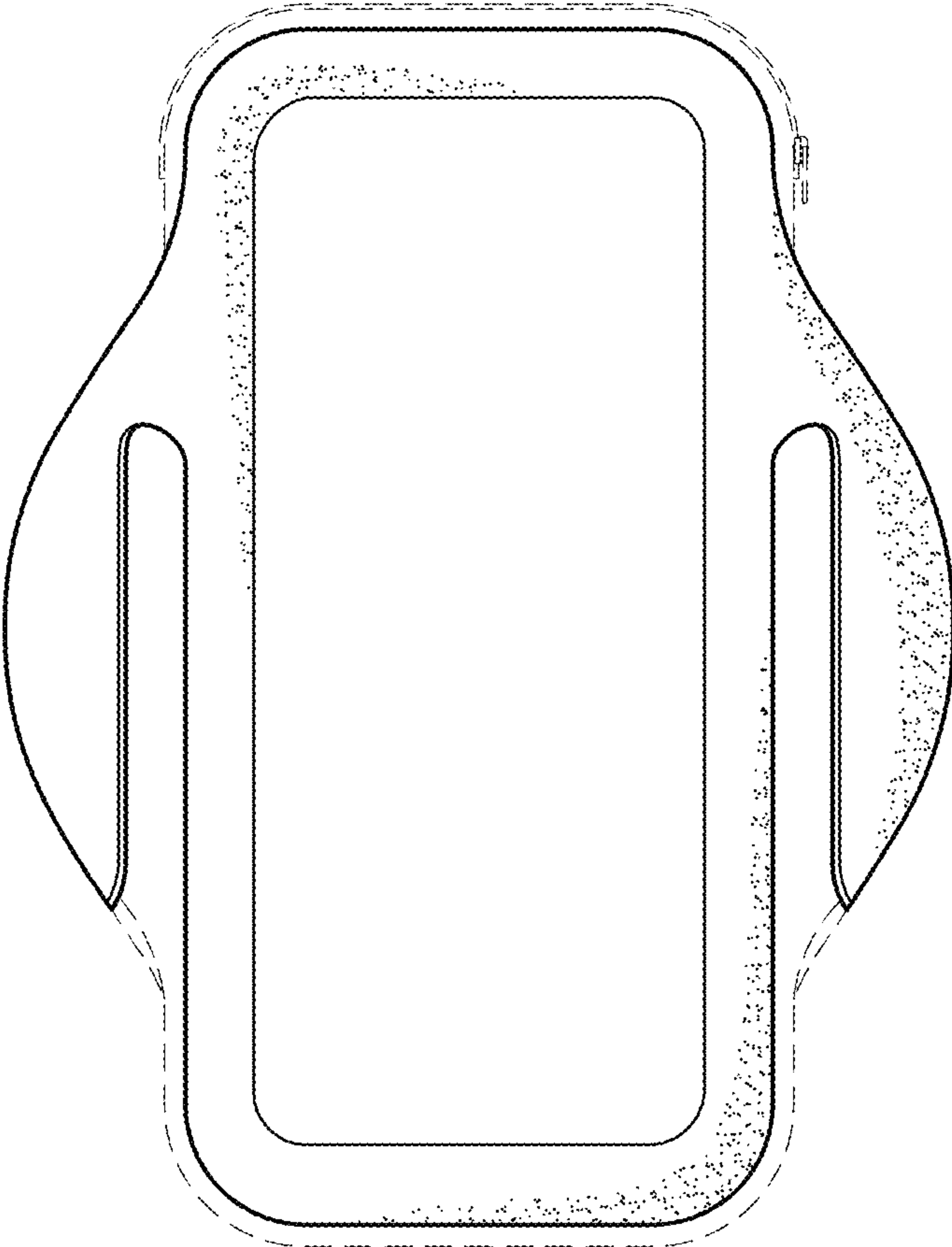


FIG.2

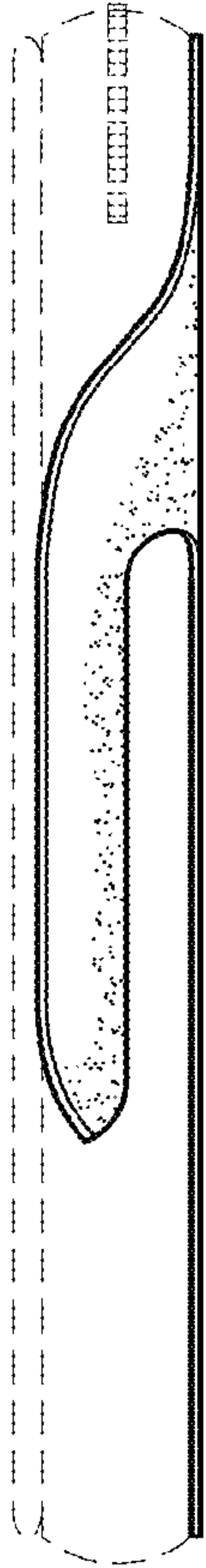


FIG. 3

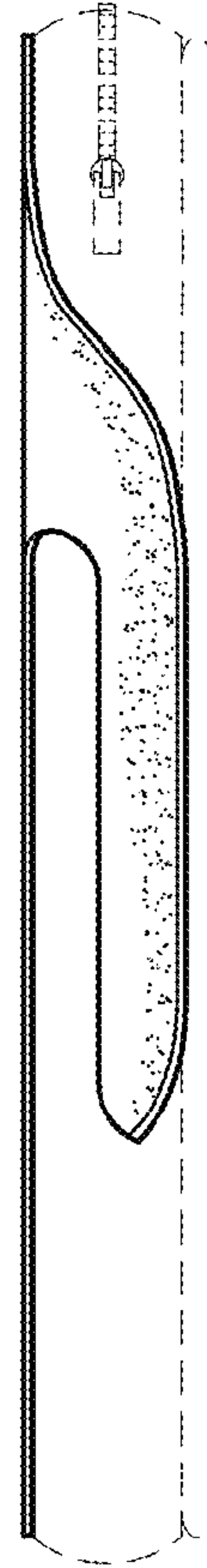


FIG. 4

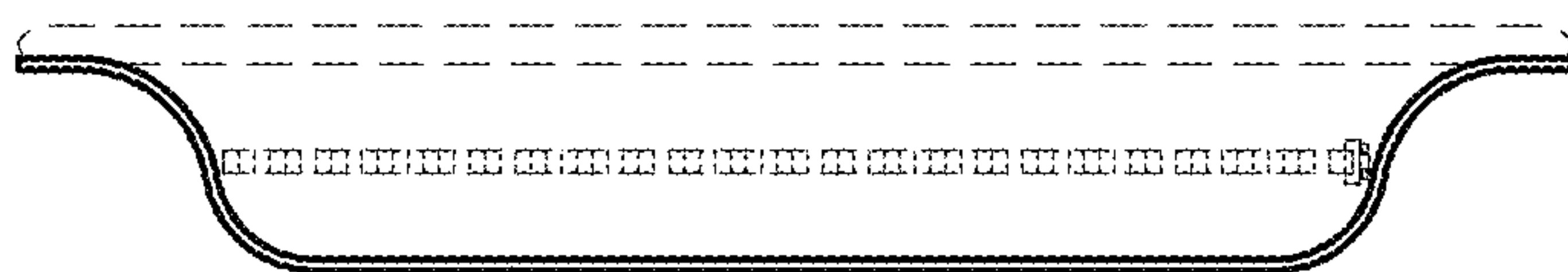


FIG. 5

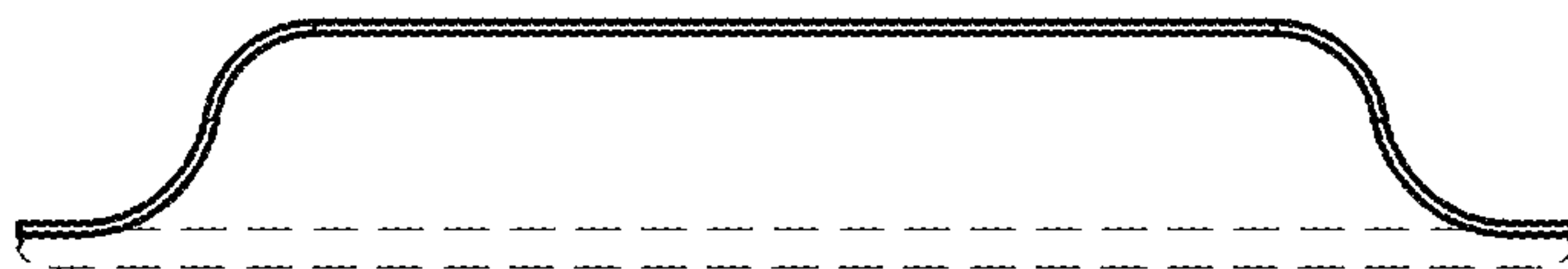


FIG. 6